



US00D601331S

(12) **United States Design Patent**  
**Hayashida**

(10) **Patent No.:** **US D601,331 S**  
(45) **Date of Patent:** **\*\* Oct. 6, 2009**

(54) **MODULAR CAP**

(75) Inventor: **Mami Hayashida**, Tokyo (JP)

(73) Assignee: **Route Creative Works Co., Ltd.**, Tokyo (JP)

(\*\*) Term: **14 Years**

(21) Appl. No.: **29/328,830**

(22) Filed: **Dec. 2, 2008**

(30) **Foreign Application Priority Data**

Jun. 2, 2008 (JP) ..... 2008-013937

(51) **LOC (9) Cl.** ..... **02-03**

(52) **U.S. Cl.** ..... **D2/891**

(58) **Field of Classification Search** ..... D2/865,  
D2/866, 870, 871, 872, 873, 874, 875, 876,  
D2/877, 878, 879, 880, 881, 882, 883, 884,  
D2/886, 887, 888, 889, 890, 891, 892, 893,  
D2/894; 2/10, 171, 171.03, 171.5, 172, 183,  
2/209.11, 209.12, 209.13, 209.3, 175.1, 195.1,  
2/195.2, 195.4, 195.7, 200.1, 200.2; 362/106  
See application file for complete search history.

(56) **References Cited**

**U.S. PATENT DOCUMENTS**

- 2,066,713 A \* 1/1937 Bowland ..... 223/66
- 2,106,571 A \* 1/1938 Lipton ..... 2/171.5
- 3,258,781 A \* 7/1966 Klein ..... 2/88
- 5,070,545 A \* 12/1991 Tapia ..... 40/329
- 5,244,102 A \* 9/1993 Koenig ..... 211/32
- D374,548 S \* 10/1996 Hartland ..... D2/884
- 5,613,246 A \* 3/1997 Alexander ..... 2/10

(Continued)

*Primary Examiner*—Elizabeth A Albert

*Assistant Examiner*—Karen E Eldridge Powers

(74) *Attorney, Agent, or Firm*—Baker & McKenzie LLP

(57) **CLAIM**

The ornamental design for a modular cap, as shown and described.

**DESCRIPTION**

FIG. 1 is a front view of the modular cap in accordance with my design;

FIG. 2 is a rear view of the modular cap shown in FIG. 1;

FIG. 3 is a left side view of the modular cap shown in FIGS. 1–2;

FIG. 4 is a right side view of the modular cap shown in FIGS. 1–3;

FIG. 5 is a top view of the modular cap shown in FIGS. 1–4;

FIG. 6 is a bottom view of the modular cap shown in FIGS. 1–5;

FIG. 7 is a cross sectional view of the modular cap shown in FIGS. 1–6 taken along line 7–7;

FIG. 8 is a top view of the modular cap shown in FIGS. 1–7 when in use;

FIG. 9 is a front view of the modular cap shown in FIGS. 1–7 in use as attached to a wall hanger;

FIG. 10 is a right side view of the modular cap shown in FIGS. 1–7 in use as attached to a wall hanger;

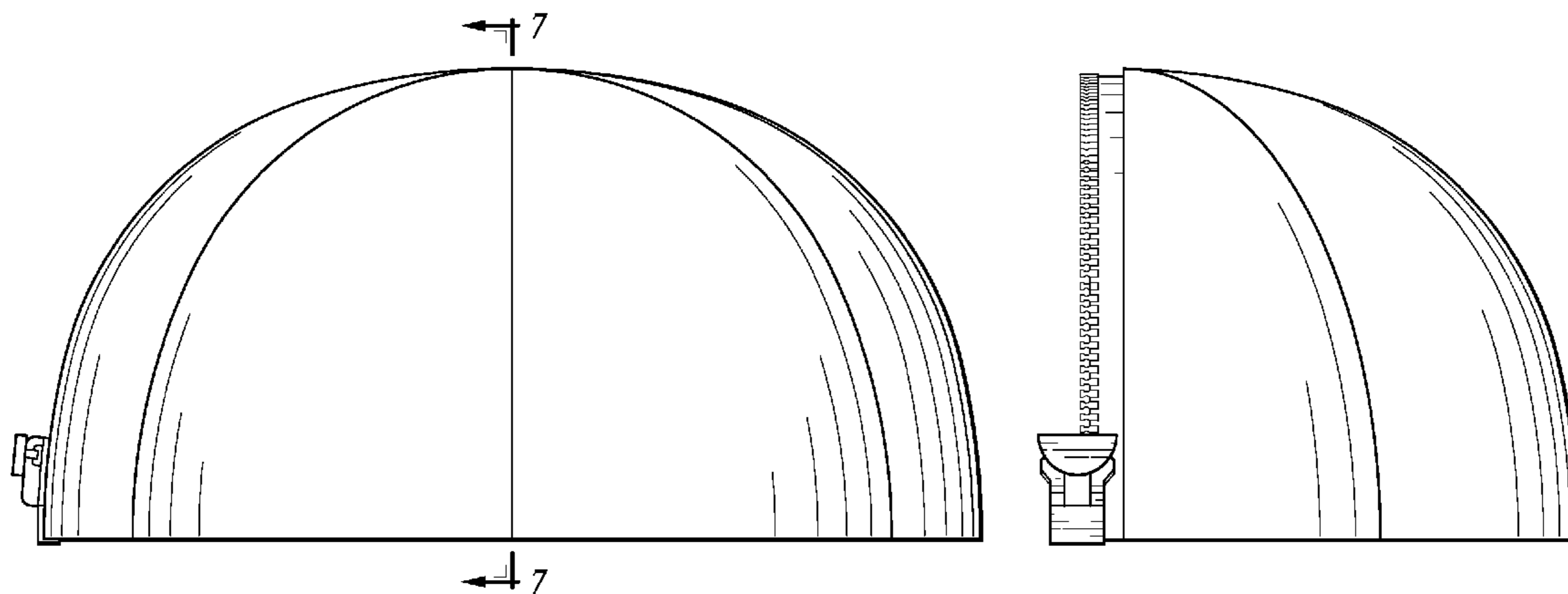
FIG. 11 is a front view showing the wall hanger of FIGS. 9–10 for attaching the modular cap;

FIG. 12 is a right side view showing the wall hanger of FIGS. 9–11 for attaching the modular cap; and,

FIG. 13 is an enlarged right side view of a side fastener of the wall hanger shown in FIGS. 10–12 for attaching the modular cap.

The broken lines showing a second modular cap and a visor in FIG. 8, a wall hanger in FIGS. 9–12, four partial crowns with visors in FIGS. 10–11, and a single fastener in FIG. 13 illustrate environmental matter and form no part of the claimed design.

**1 Claim, 6 Drawing Sheets**



# US D601,331 S

Page 2

---

## U.S. PATENT DOCUMENTS

5,845,338	A *	12/1998	Clark	.....	2/195.1	6,840,411	B2 *	1/2005	Fritz	.....	223/24
D403,490	S *	1/1999	Posner	.....	D2/866	D504,003	S *	4/2005	Lee	.....	D2/882
D424,282	S *	5/2000	Crompton et al.	.....	D2/876	6,892,894	B2 *	5/2005	Aiken	.....	211/30
D425,688	S *	5/2000	Richlin	.....	D2/865	D534,347	S *	1/2007	Prentice	.....	D3/238
D427,751	S *	7/2000	Richlin	.....	D2/866	D546,031	S *	7/2007	Pearson et al.	.....	2/876
6,311,879	B1 *	11/2001	Rigler et al.	.....	223/84	D552,830	S *	10/2007	Irwin	.....	D2/882
6,507,956	B1 *	1/2003	Kronenbeger	.....	2/195.1	D582,131	S *	12/2008	French et al.	.....	D2/866
6,560,785	B1 *	5/2003	Taguchi	.....	2/171.1	2003/0093851	A1 *	5/2003	Maya	.....	2/195.1
D488,293	S *	4/2004	Norway, Jr.	.....	D2/882	2005/0251894	A1 *	11/2005	Marsh et al.	.....	2/195.3
6,824,027	B2 *	11/2004	Frey	.....	223/14	2006/0277658	A1 *	12/2006	Marsh et al.	.....	2/171
						2007/0044203	A1 *	3/2007	Hall	.....	2/171

\* cited by examiner

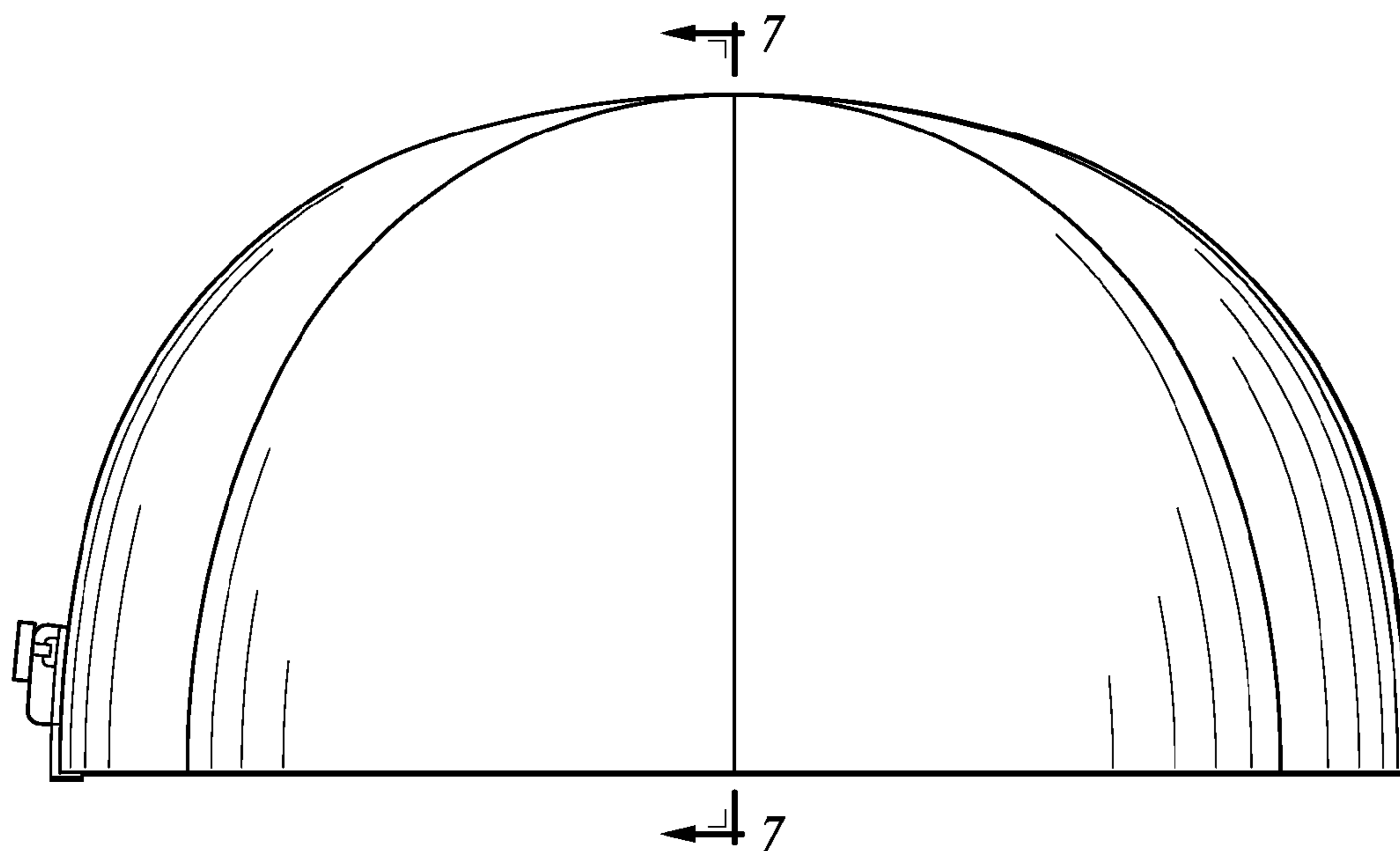


FIG. 1

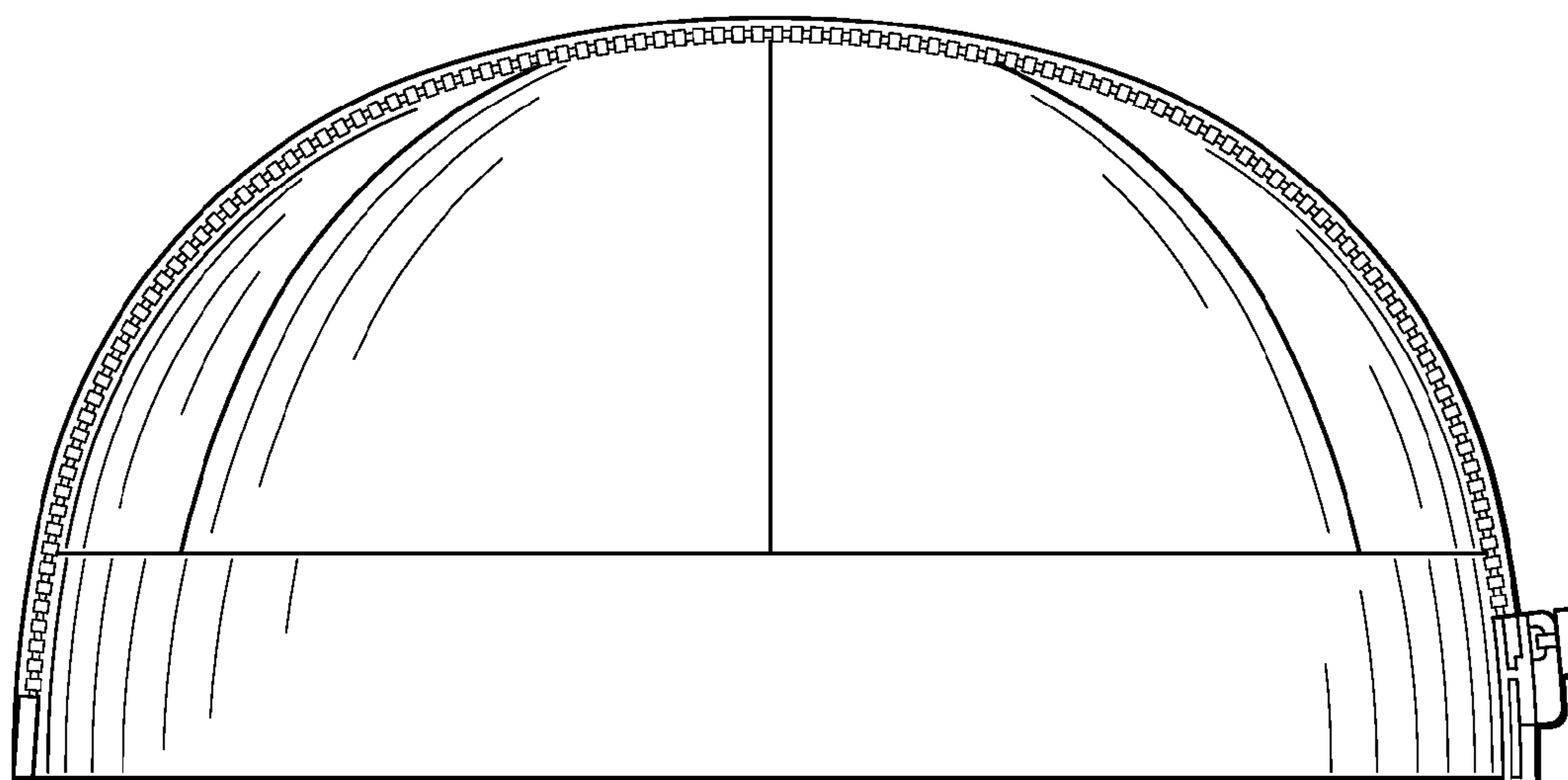


FIG. 2

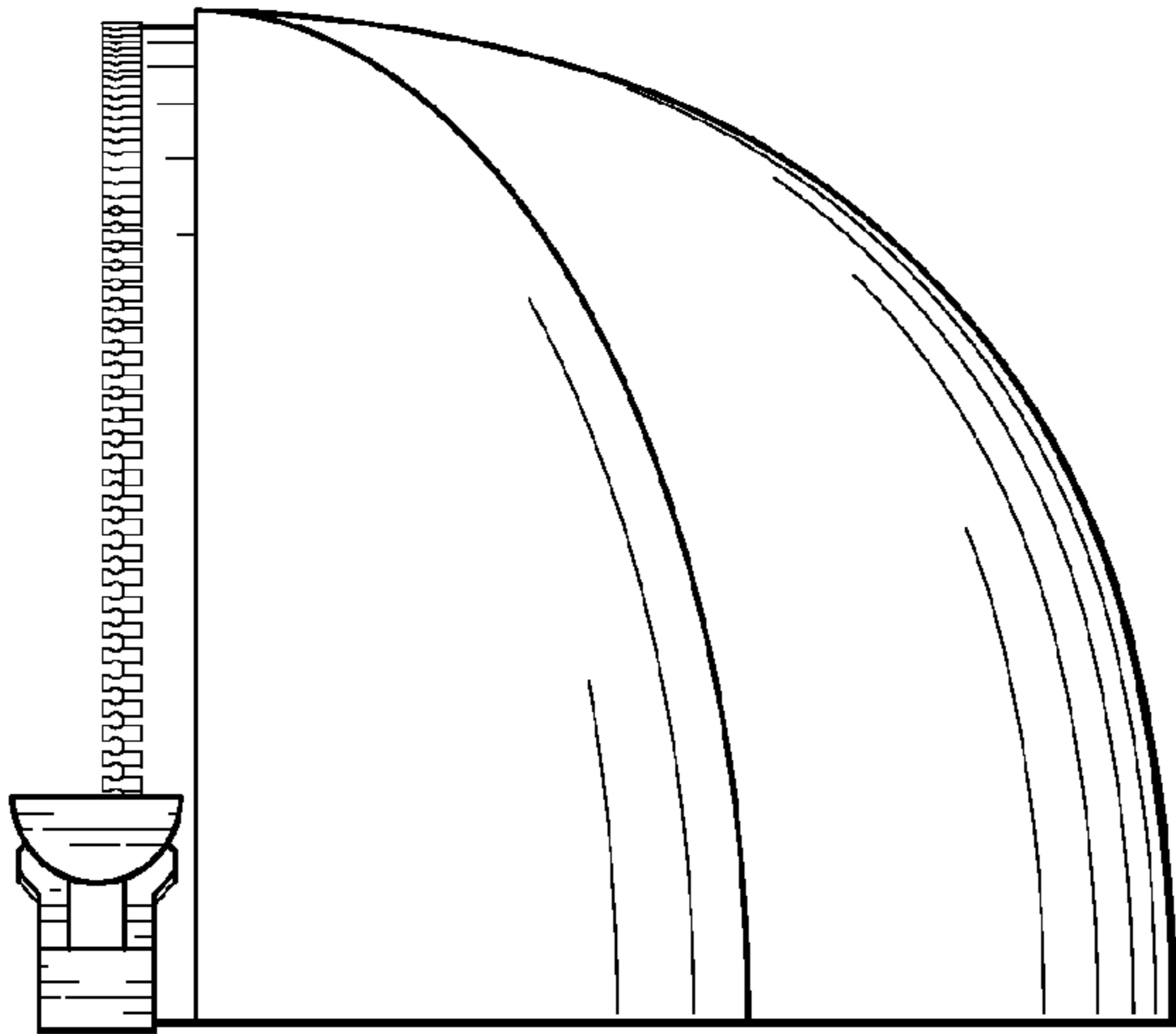


FIG. 3

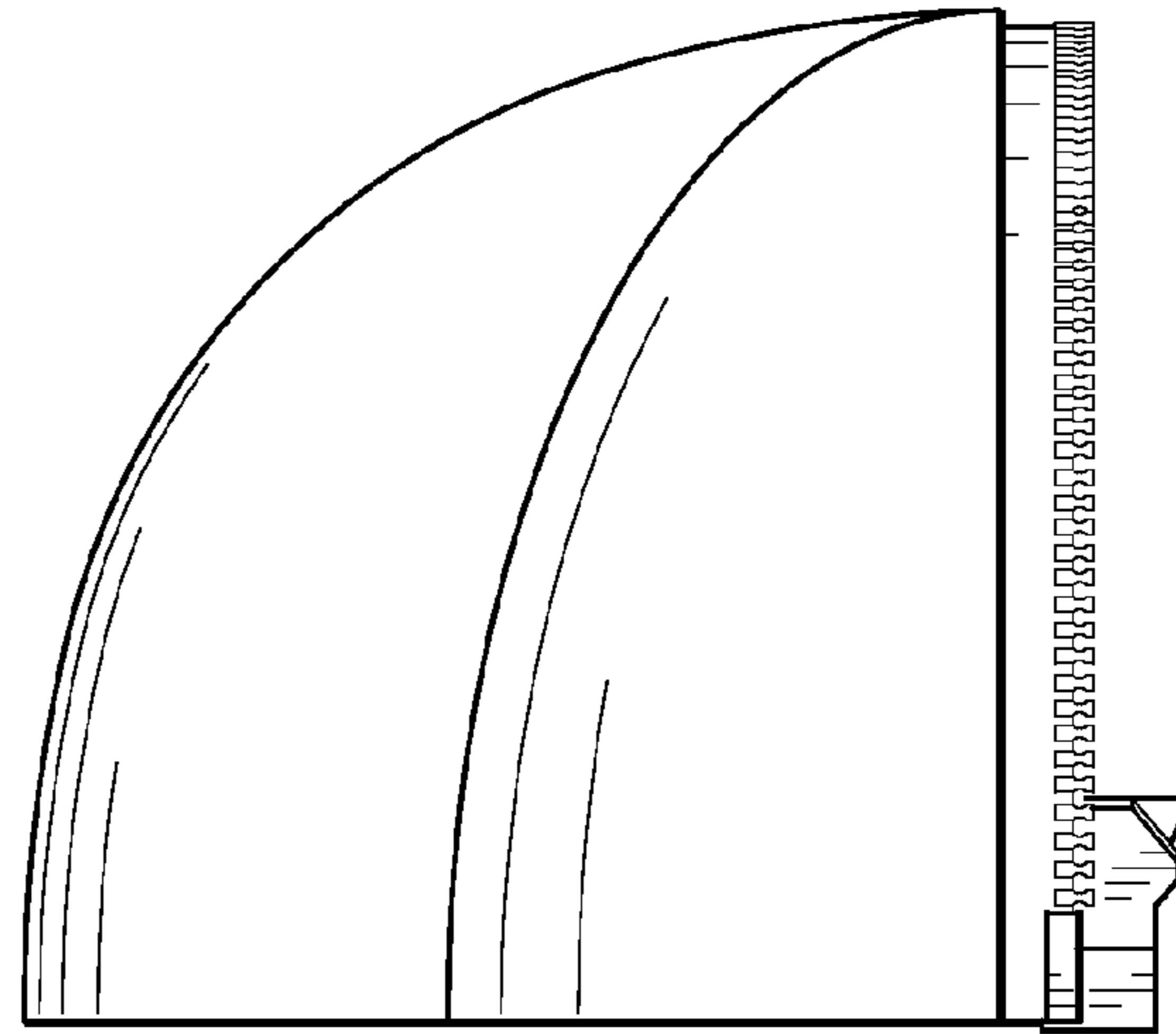


FIG. 4

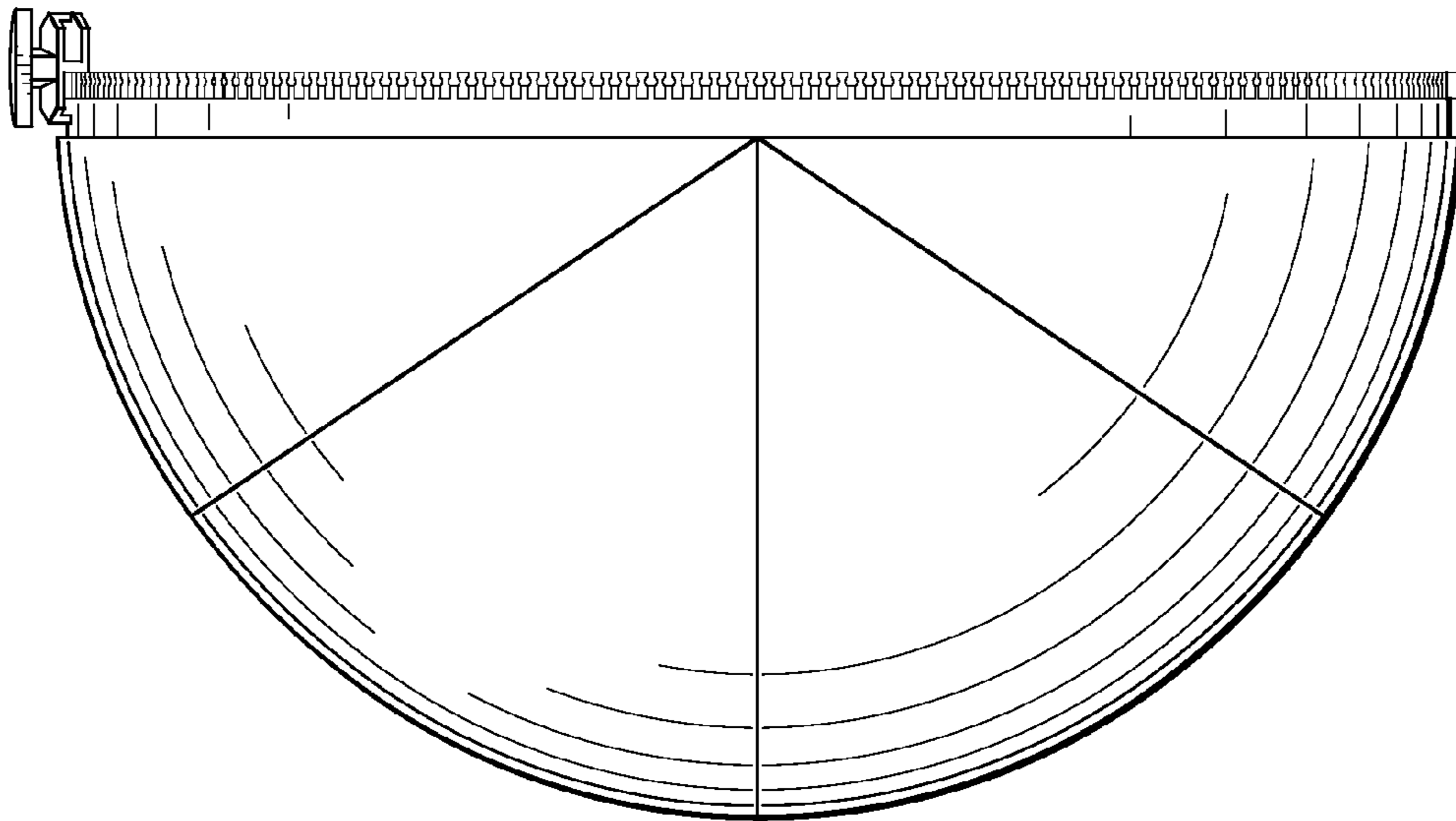


FIG. 5

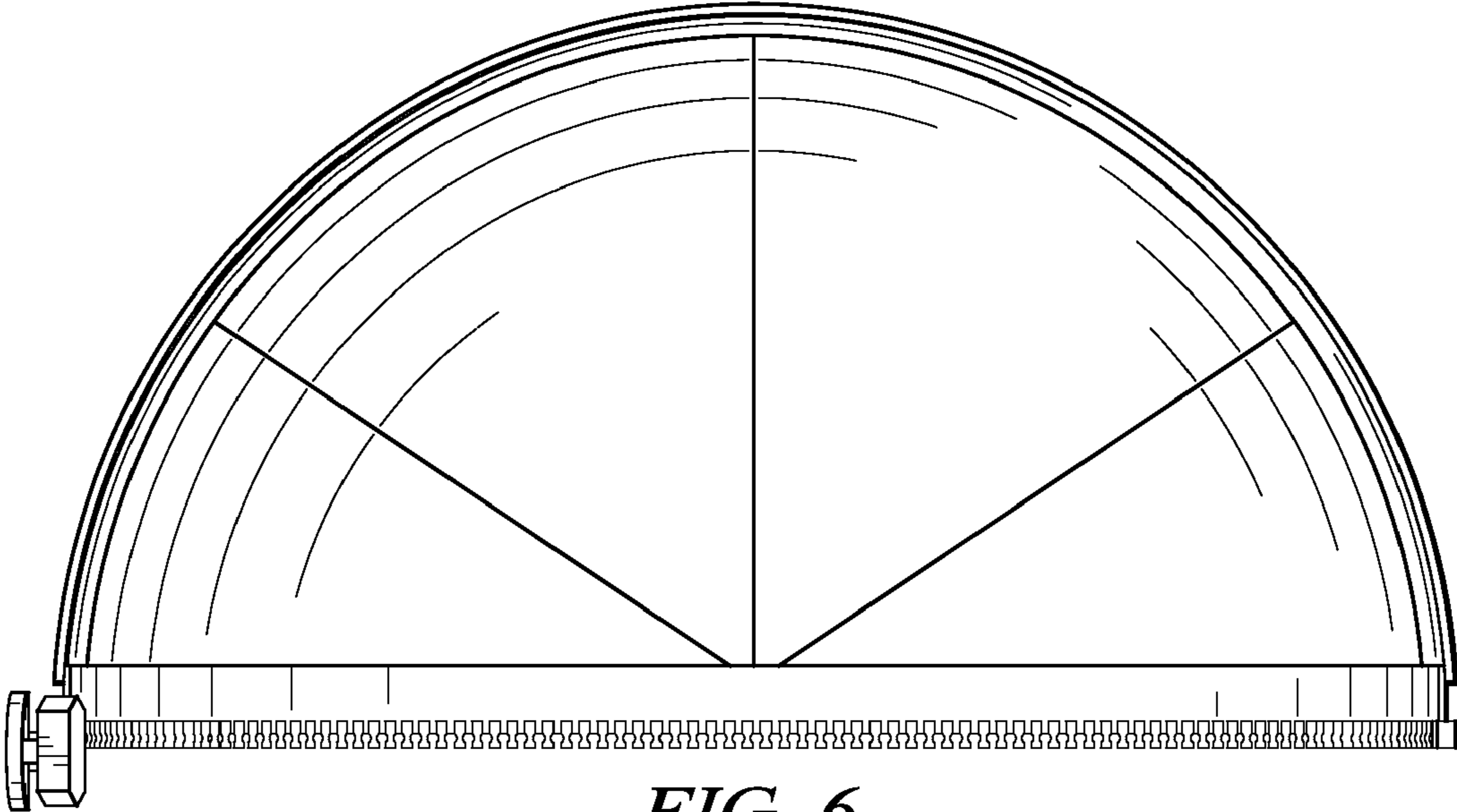


FIG. 6

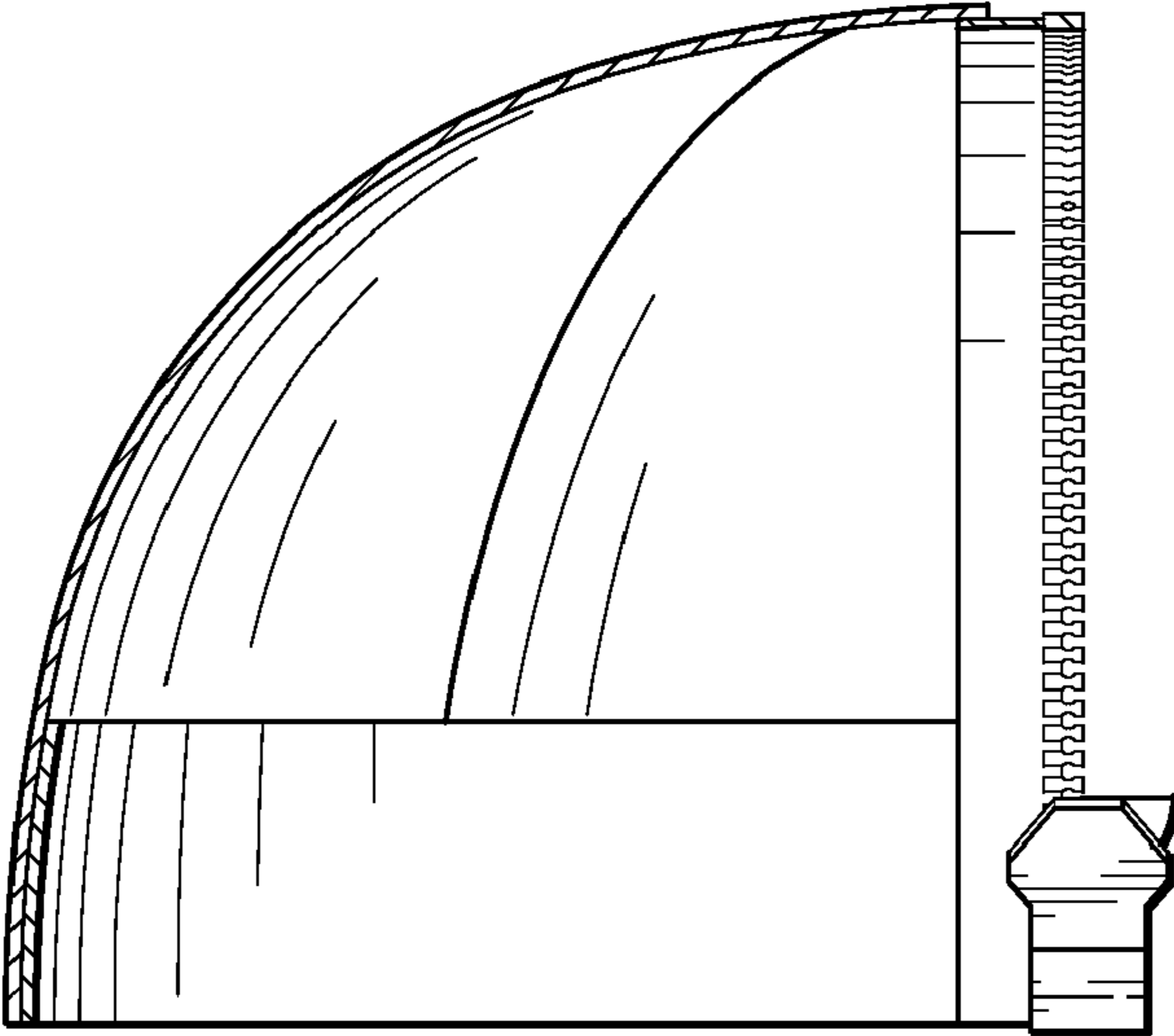
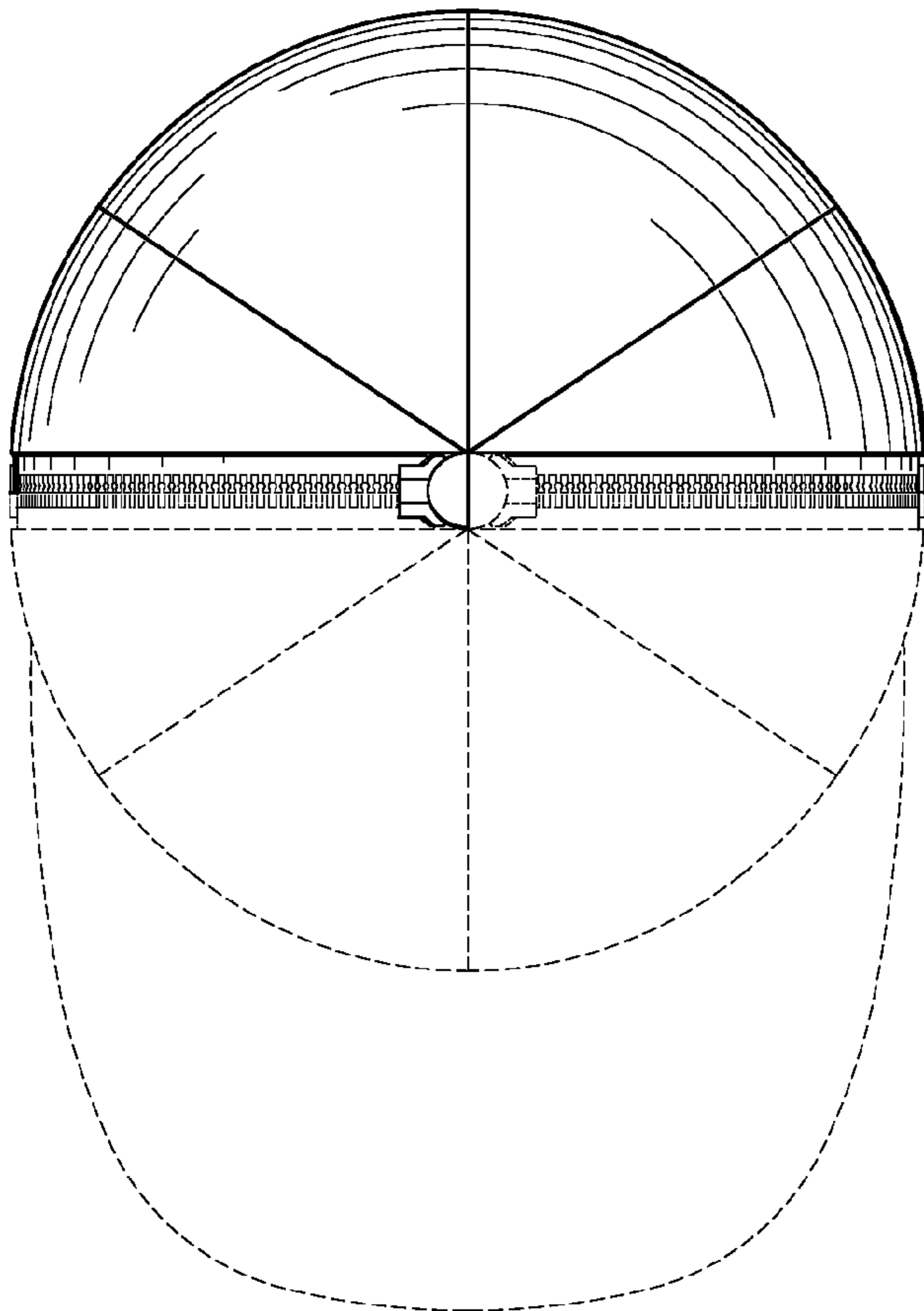
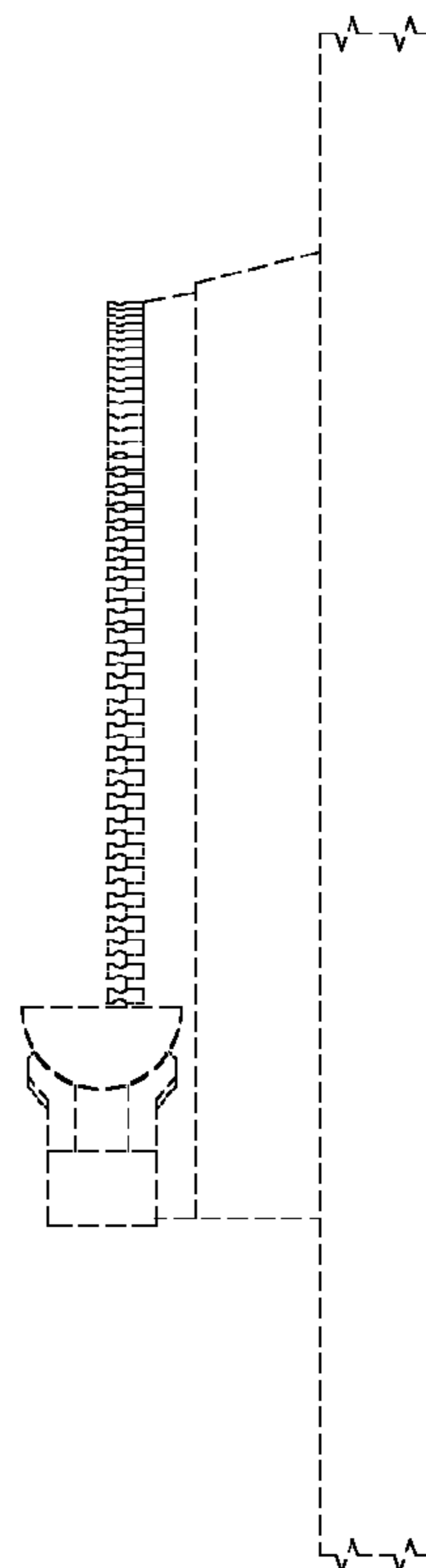


FIG. 7





*FIG. 8*



*FIG. 13*

FIG. 9

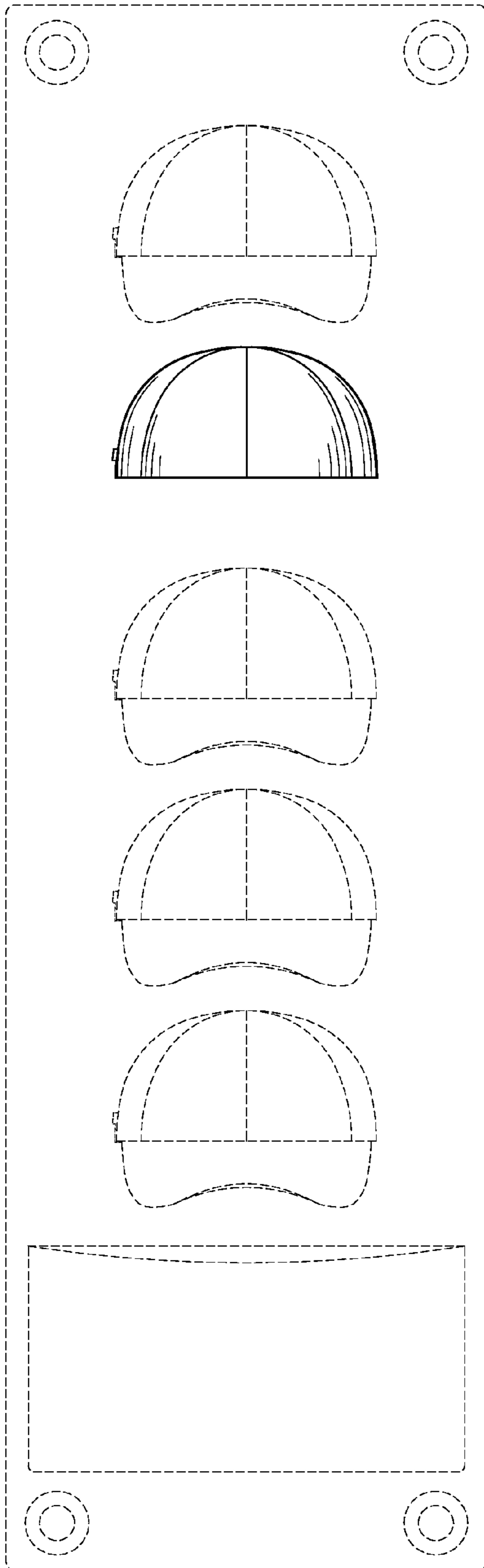


FIG. 10

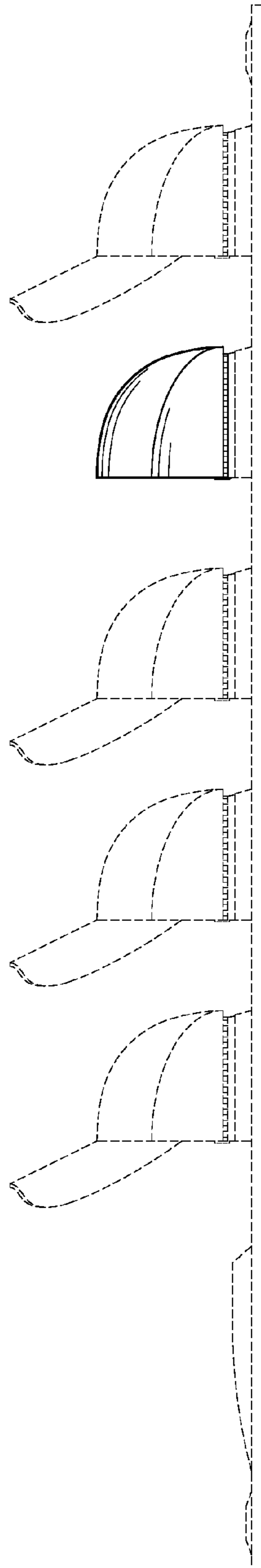


FIG. 11

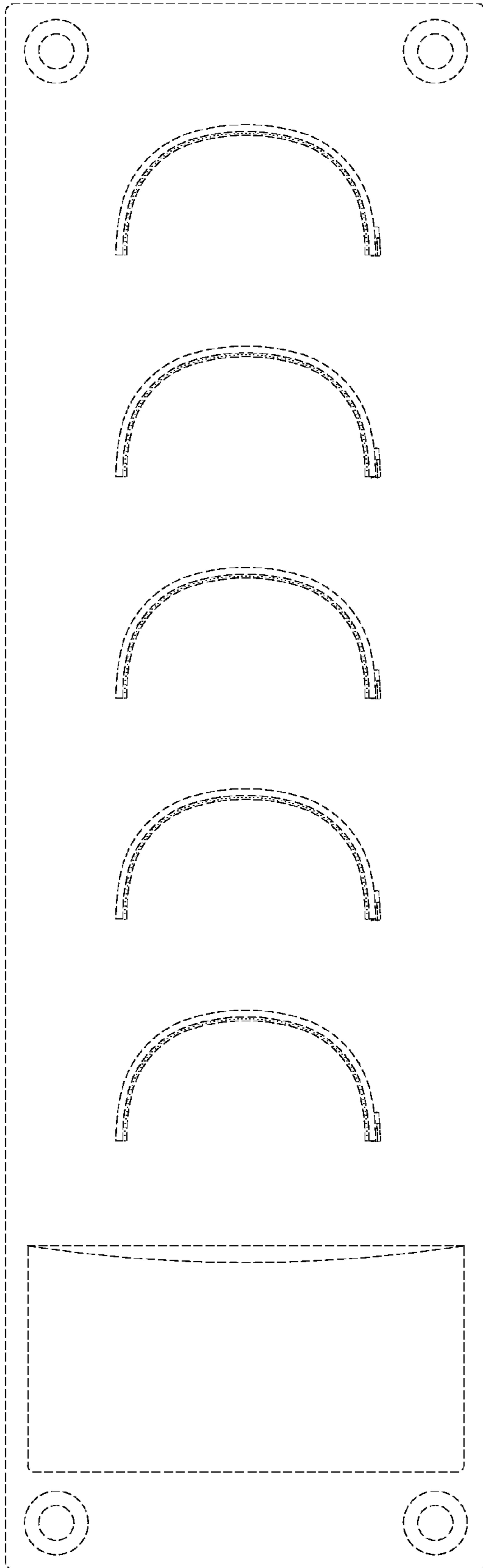


FIG. 12

