



US00D601330S

(12) **United States Design Patent**
Bishop

(10) **Patent No.:** **US D601,330 S**

(45) **Date of Patent:** **** Oct. 6, 2009**

(54) **CAP FOR SECURING ARTICLES**

(76) Inventor: **Richard Calhoun Bishop**, 207 S. 221st
West Ave., Sand Springs, OK (US)
74063

(**) Term: **14 Years**

(21) Appl. No.: **29/320,740**

(22) Filed: **Jul. 2, 2008**

(51) **LOC (9) Cl.** **02-03**

(52) **U.S. Cl.** **D2/882**

(58) **Field of Classification Search** D2/865,
D2/866, 870, 871, 872, 873, 874, 875, 876,
D2/877, 878, 879, 880, 881, 882, 883, 884,
D2/886, 887, 888, 889, 890, 891, 892, 893,
D2/894; 2/10, 171, 171.03, 171.5, 172, 183,
2/209.11, 209.12, 209.13, 209.3, 175.1, 195.1,
2/195.2, 195.4, 195.7, 200.1, 200.2; 362/106
See application file for complete search history.

(56) **References Cited**

U.S. PATENT DOCUMENTS

D384,488 S *	10/1997	Kaufman	D2/866
D396,738 S *	8/1998	Territo	D2/866
5,860,167 A *	1/1999	Lizio	2/209.13
D417,334 S *	12/1999	Wands	D2/893
D427,751 S *	7/2000	Richlin	D2/866
6,671,885 B2	1/2004	Viggiano		
6,792,619 B1 *	9/2004	Morris et al.	2/10
7,003,809 B1 *	2/2006	Gordon	2/209.13
7,137,151 B2 *	11/2006	Keech	2/209.13
D553,331 S *	10/2007	Henson	D2/893
7,275,270 B2 *	10/2007	Cotutsca	2/209.13
D571,982 S *	7/2008	Kirby	D2/882
D572,437 S *	7/2008	Scott	D2/882

2007/0056078 A1* 3/2007 Tseng 2/171

* cited by examiner

Primary Examiner—Elizabeth A Albert

Assistant Examiner—Karen E Eldridge Powers

(74) *Attorney, Agent, or Firm*—Head, Johnson & Kachigian P.C.

(57) **CLAIM**

The ornamental design for a cap for securing articles, as shown and described.

DESCRIPTION

FIG. 1 is a perspective view of a cap for securing articles, constructed in accordance with the present invention;

FIG. 2 is a left side view of a cap for securing articles as shown in FIG. 1;

FIG. 3 is a right side view of a cap for securing articles as shown in FIG. 1;

FIG. 4 is a top view of a cap for securing articles as shown in FIG. 1;

FIG. 5 is a front view of a cap for securing articles as shown in FIG. 1; and,

FIG. 6 is a bottom view of a cap for securing articles as shown in FIG. 1.

The carpenter's pencil shown in broken lines in FIG. 1 is environmental matter, and forms no part of the claimed design. The broken lines that are shown along the edges of the visor, the headband, the size adjustment opening, on either side of the gore seams, on the interior surface of the crown, and along the edge of the article-holding structure on both the interior and exterior surfaces, illustrate stitching and are a part of the claimed design.

1 Claim, 3 Drawing Sheets

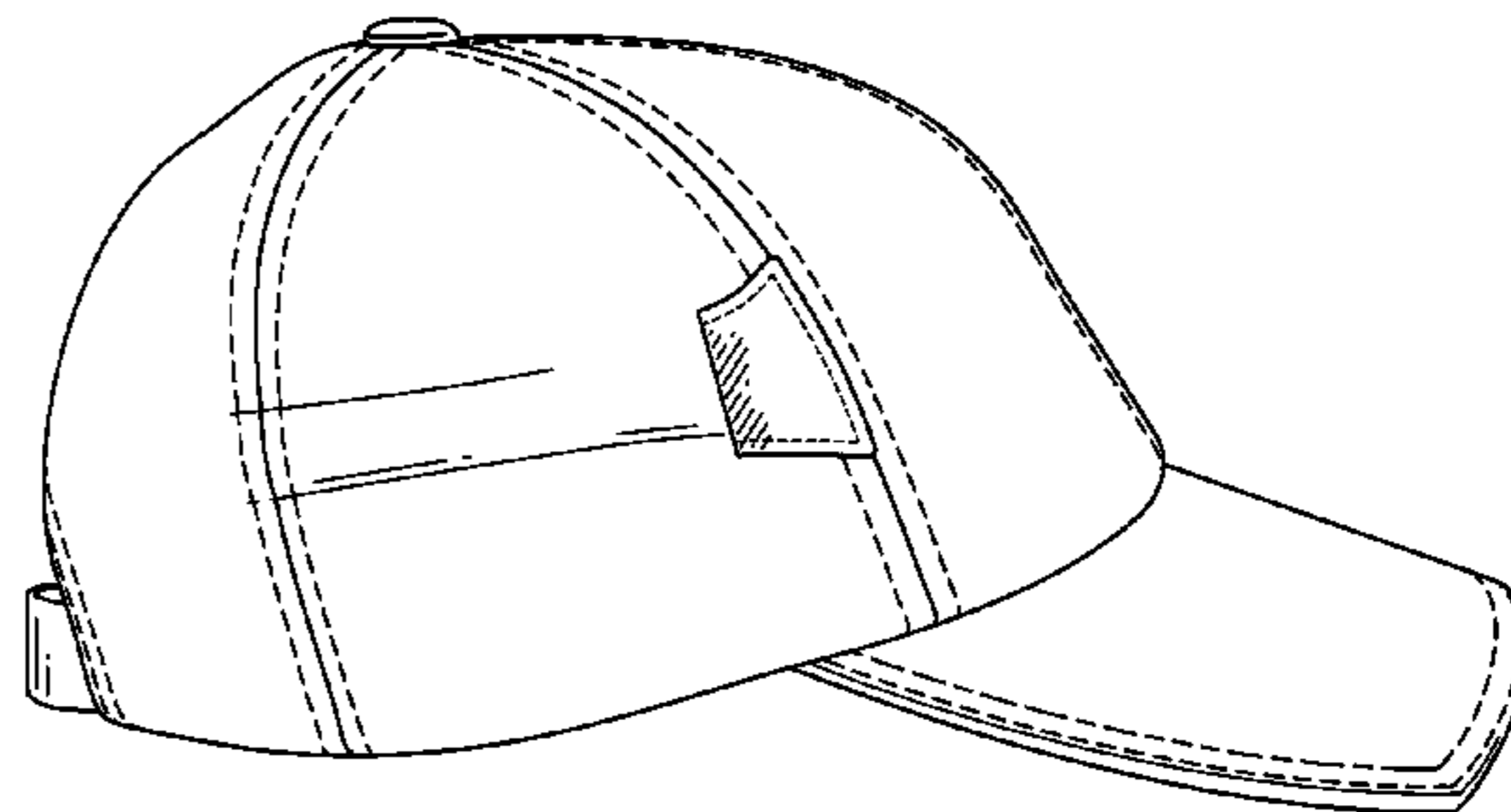
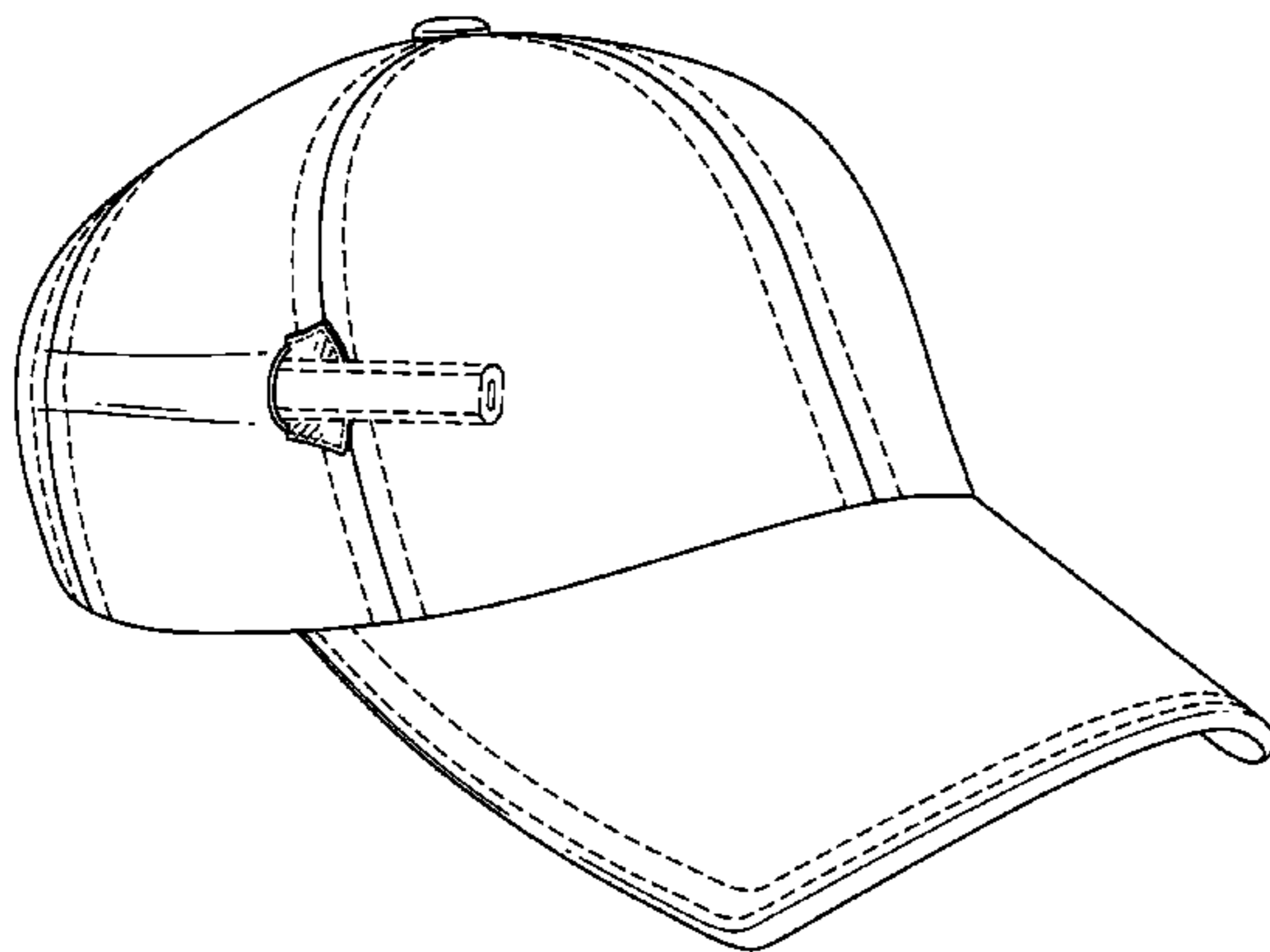


FIG. 1

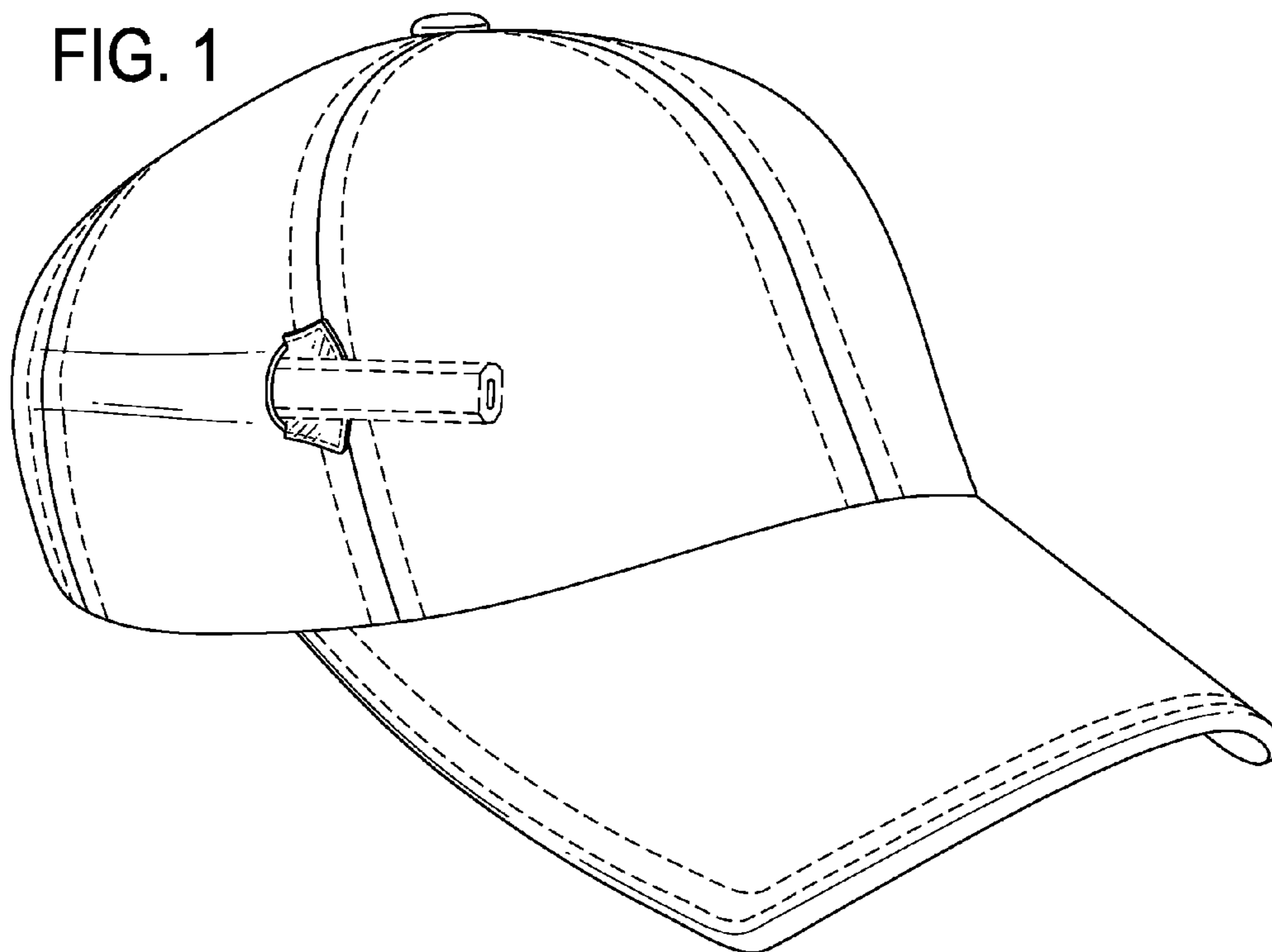


FIG. 2

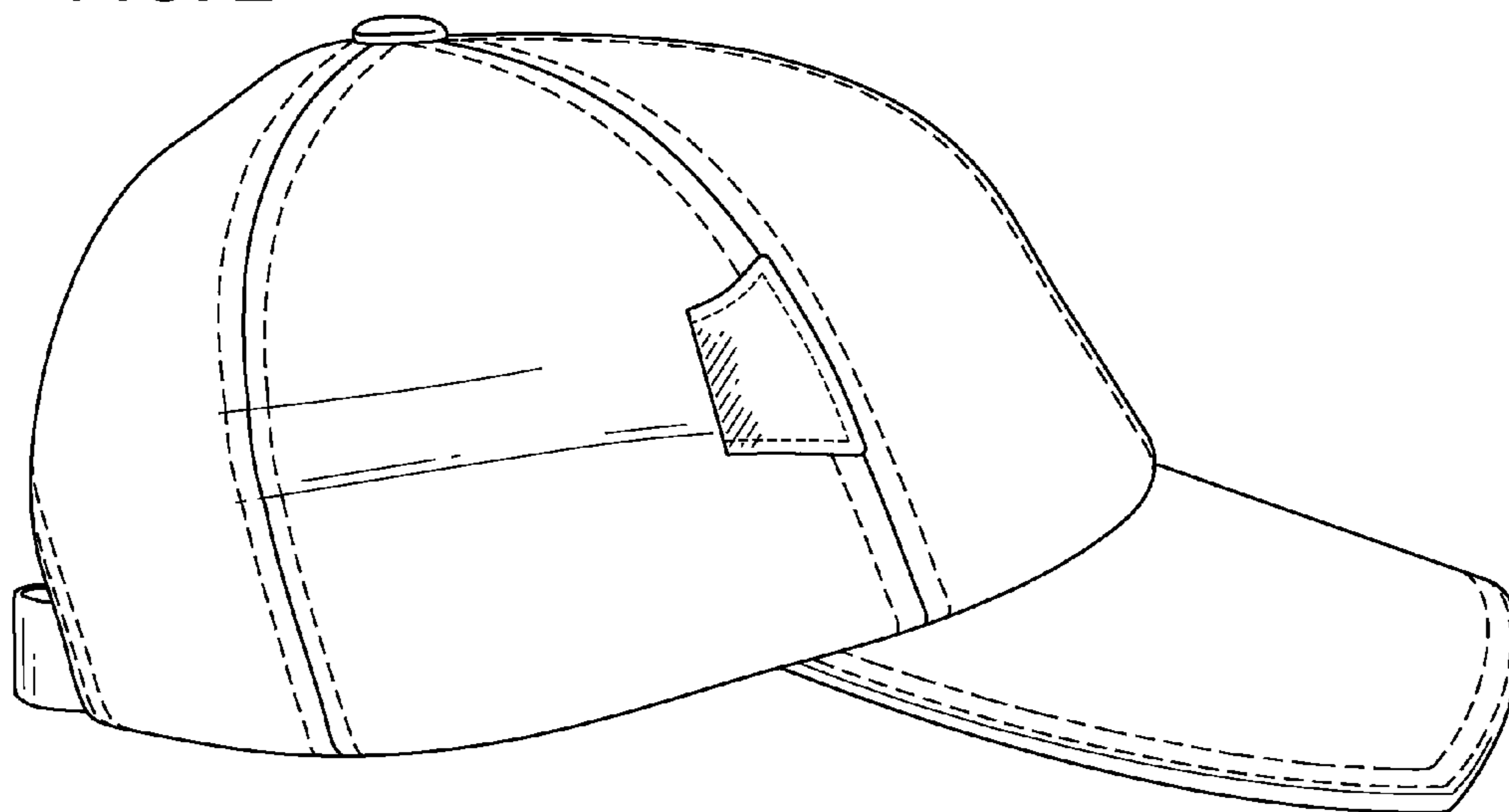


FIG. 3

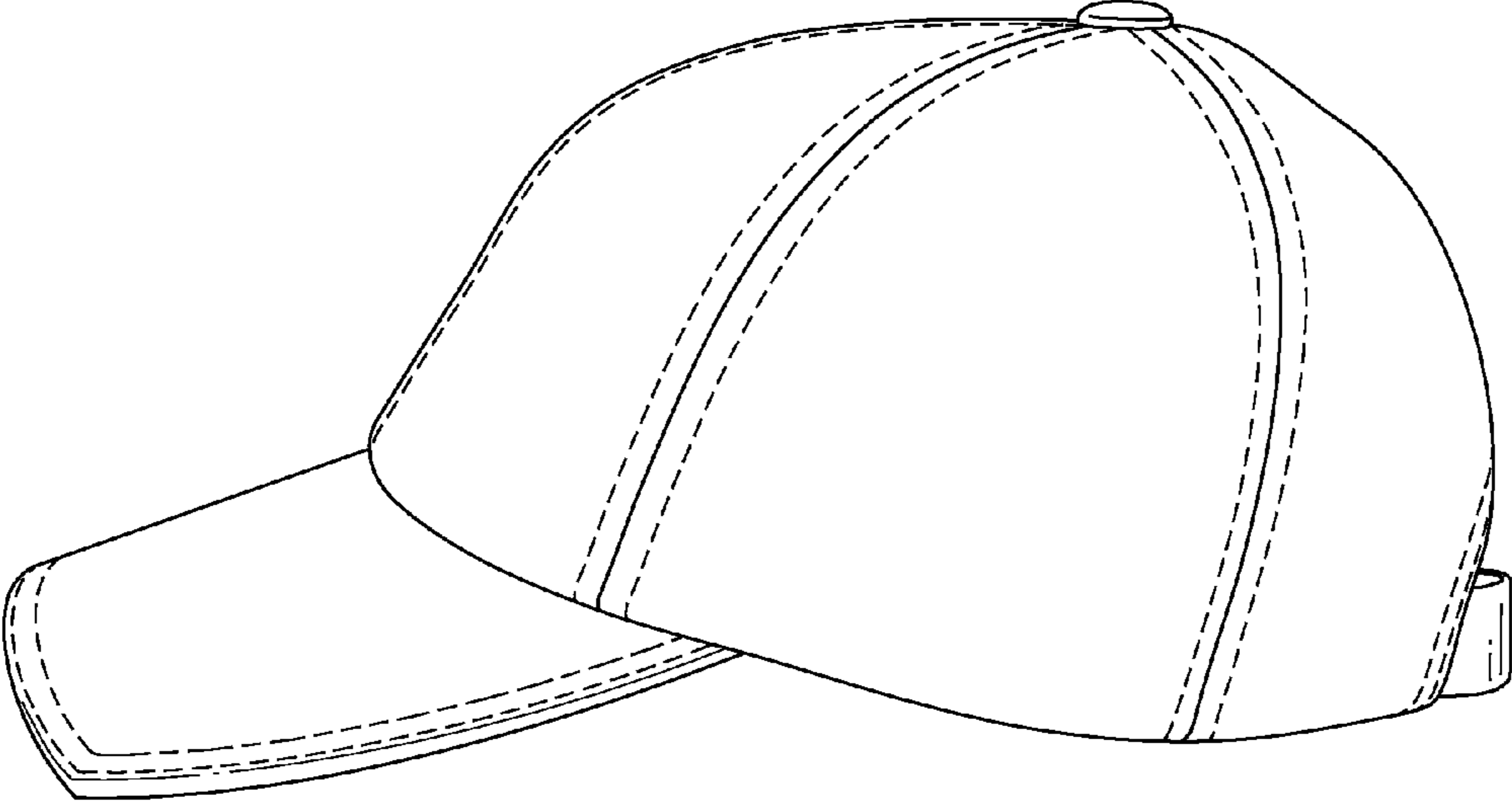


FIG. 4

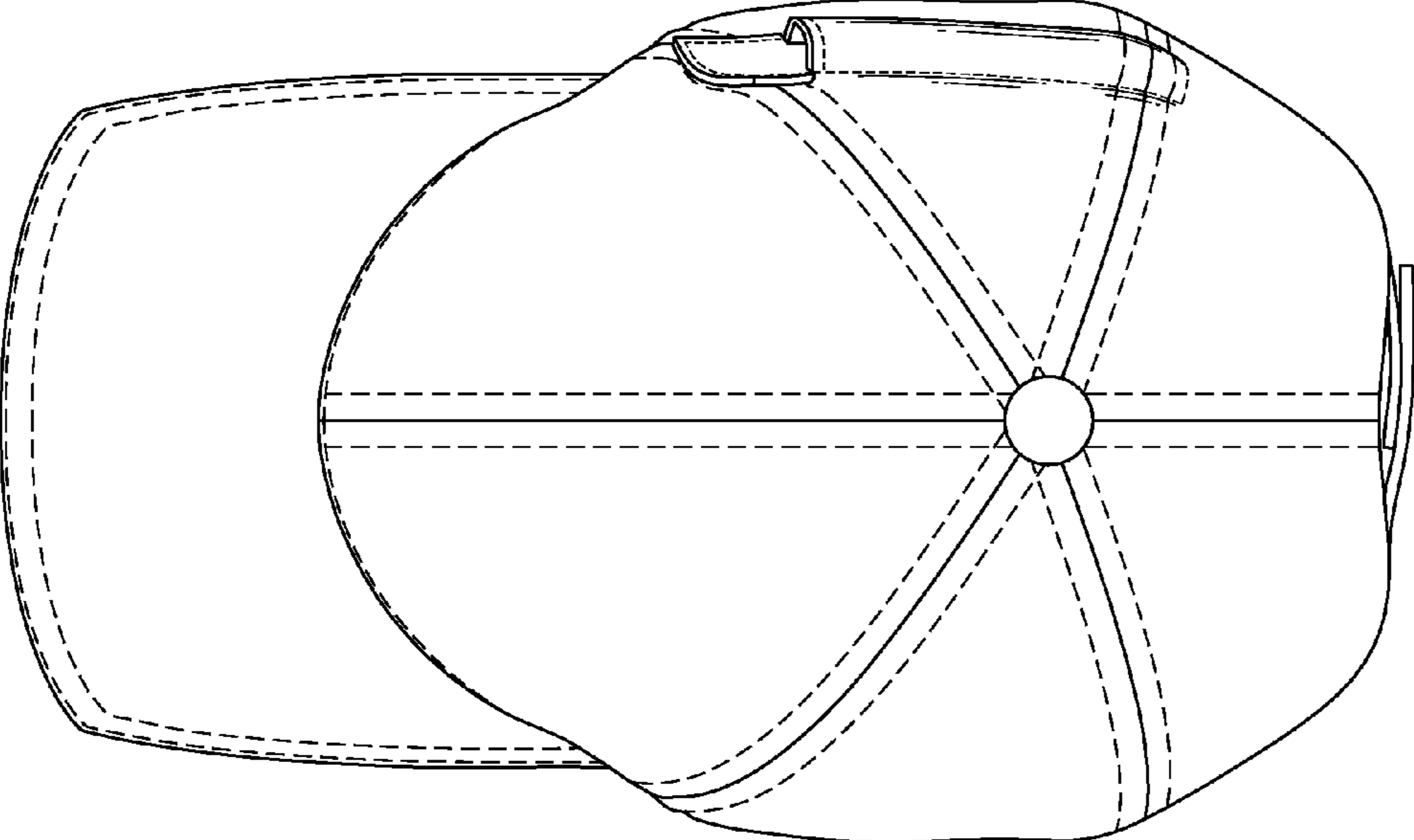


FIG. 5

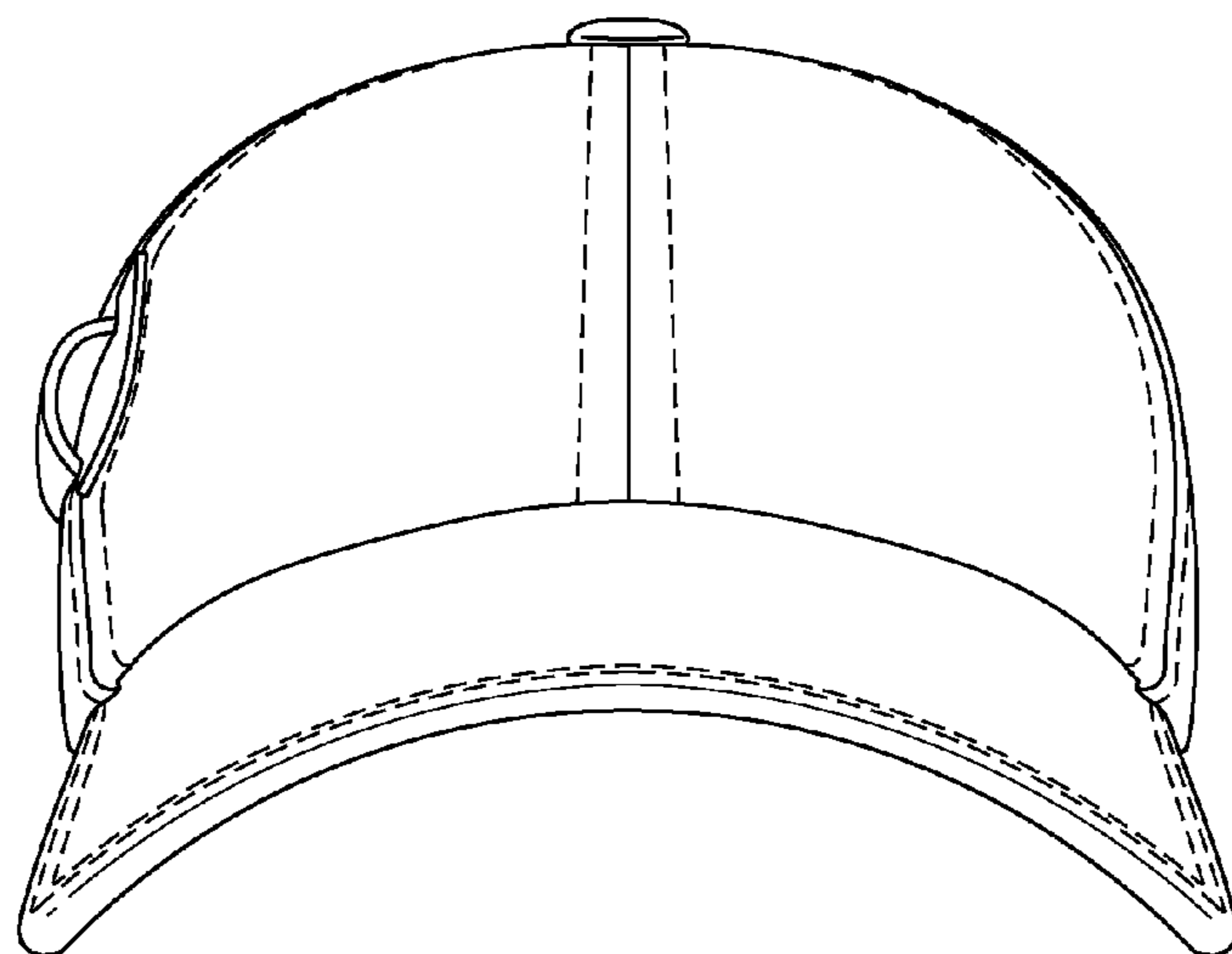


FIG. 6

