



US00D601325S

(12) **United States Design Patent**
Tanaka et al.

(10) **Patent No.:** **US D601,325 S**

(45) **Date of Patent:** **** Sep. 29, 2009**

(54) **FORK LIFT TRUCK**

(75) Inventors: **Yoshinaka Tanaka**, Zama (JP); **Ryoichi Kuraoka**, Isehara (JP)

(73) Assignee: **Nissan Motor Co., Ltd.**, Yokohama-shi (JP)

(**) Term: **14 Years**

(21) Appl. No.: **29/327,541**

(22) Filed: **Nov. 7, 2008**

(30) **Foreign Application Priority Data**

May 22, 2008 (JP) 2008-012710

(51) **LOC (9) Cl.** **12-05**

(52) **U.S. Cl.** **D34/34**

(58) **Field of Classification Search** D34/34;
414/465, 529, 785, 607, 572; 187/222, 237,
187/238, 89.12, 89.14, 89.17

See application file for complete search history.

(56) **References Cited**

U.S. PATENT DOCUMENTS

3,786,902 A * 1/1974 Ramsey 187/227

4,207,967 A * 6/1980 Stedman 187/226

4,506,750 A * 3/1985 Leskovec 180/69.21

4,750,752 A *	6/1988	Furuta	280/853
4,770,428 A *	9/1988	Sugiyama	280/834
5,184,699 A *	2/1993	Aoki et al.	187/224
5,524,721 A *	6/1996	Yamauchi	180/69.2
D393,134 S *	3/1998	Mariano	D34/34
6,092,976 A *	7/2000	Kamiya	414/636
D448,136 S *	9/2001	Yurushi et al.	D34/34
D470,990 S *	2/2003	Han et al.	D34/34
D579,623 S *	10/2008	Kim	D34/34

* cited by examiner

Primary Examiner—Cynthia E Ramirez

(74) *Attorney, Agent, or Firm*—Foley & Lardner LLP

(57) **CLAIM**

The ornamental design for a fork lift truck, as shown and described.

DESCRIPTION

FIG. 1 is a front perspective view of a fork lift truck;

FIG. 2 is a rear perspective view thereof;

FIG. 3 is a front view thereof;

FIG. 4 is a rear view thereof;

FIG. 5 is a top plan view thereof;

FIG. 6 is a left side view thereof; and,

FIG. 7 is a right side view thereof.

1 Claim, 4 Drawing Sheets

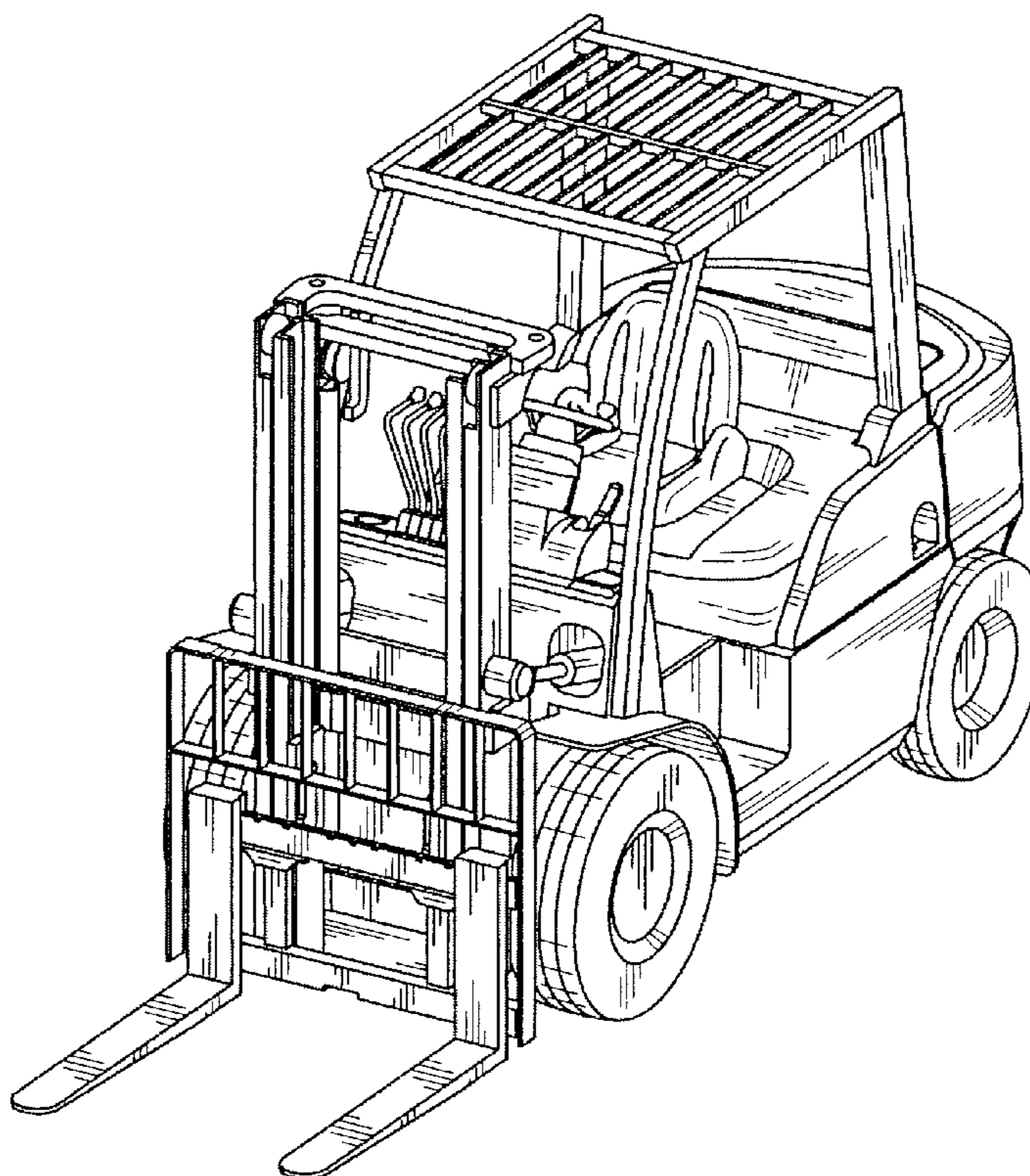


Fig. 1

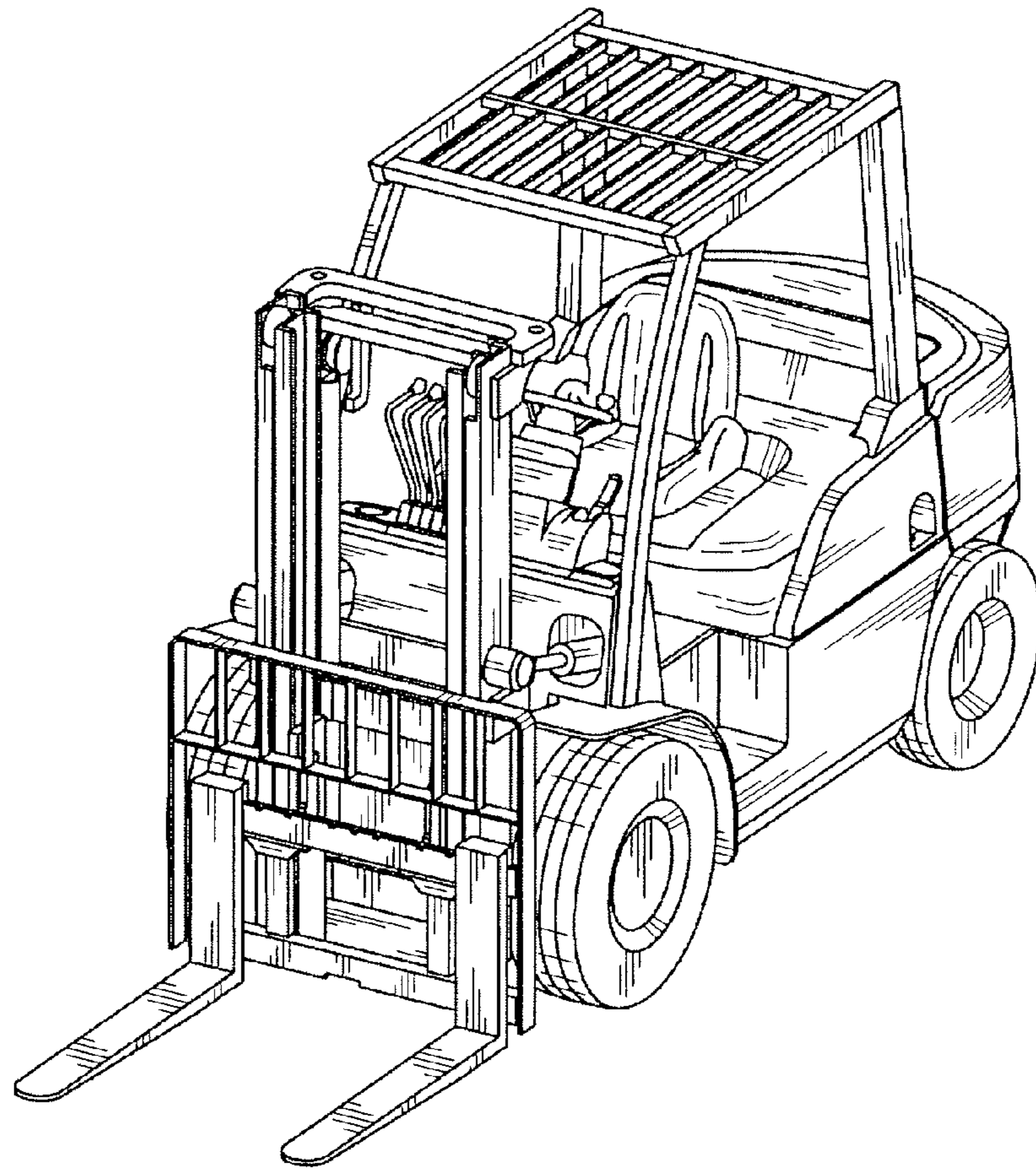


Fig. 2

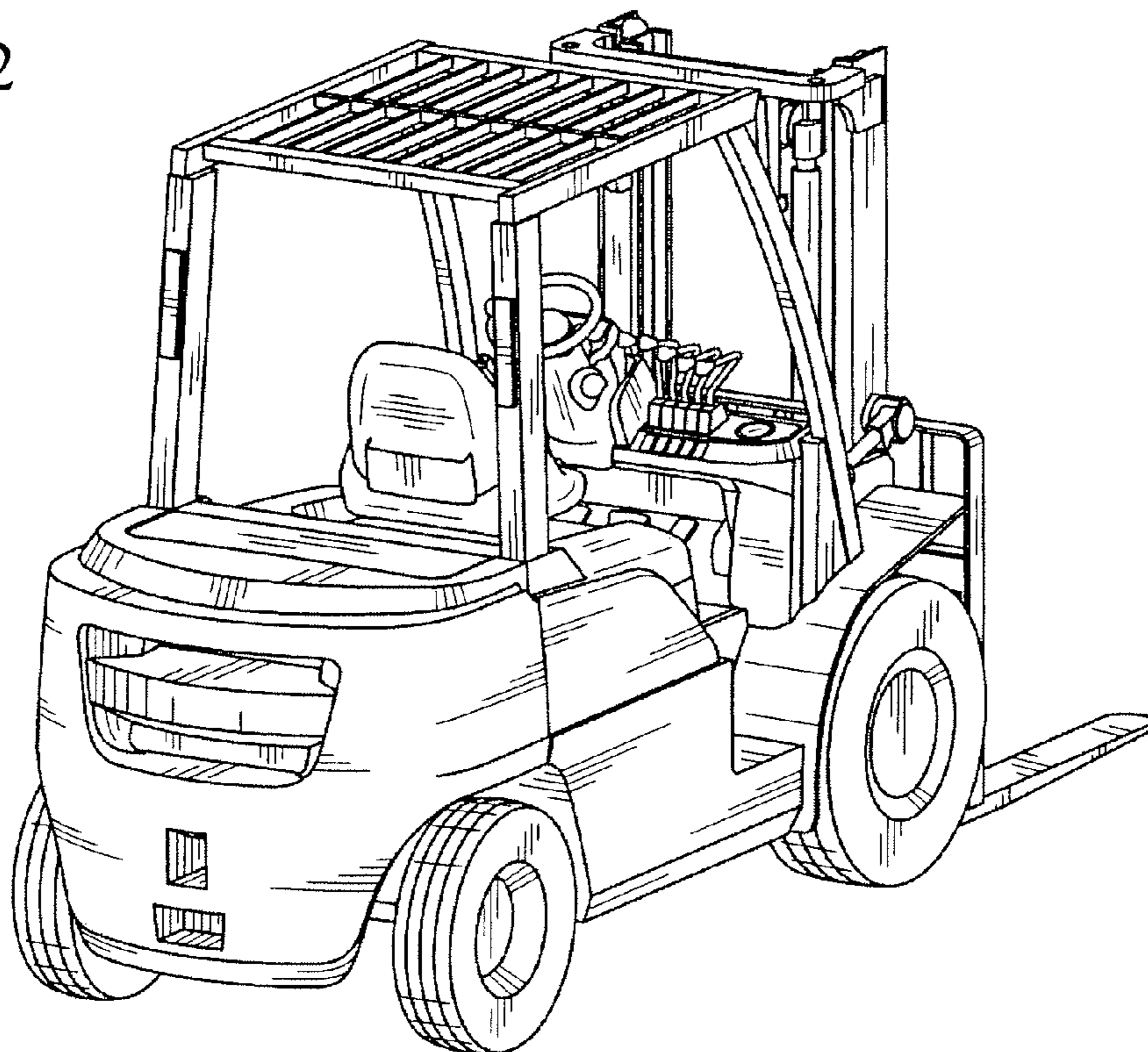


Fig.3

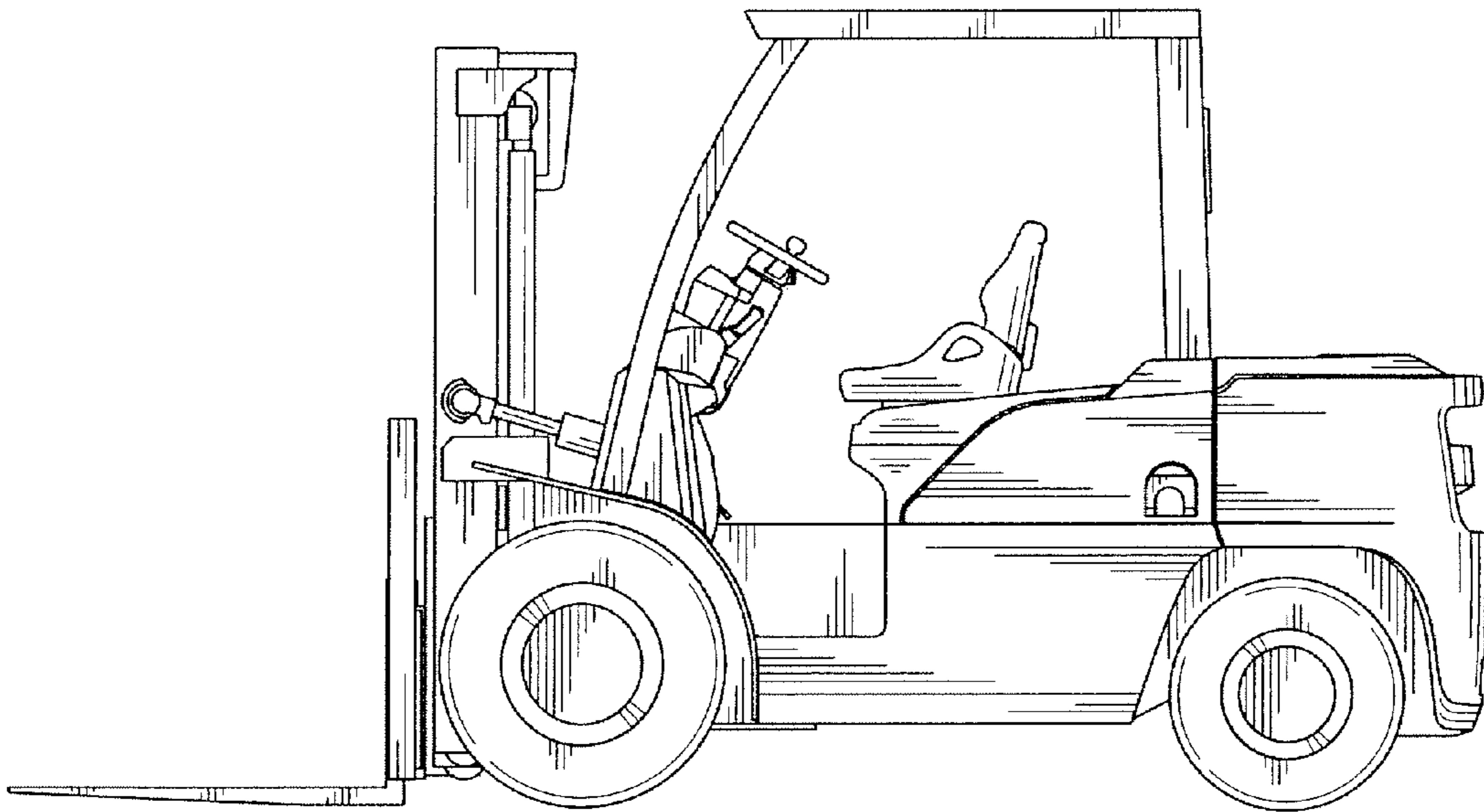


Fig.4

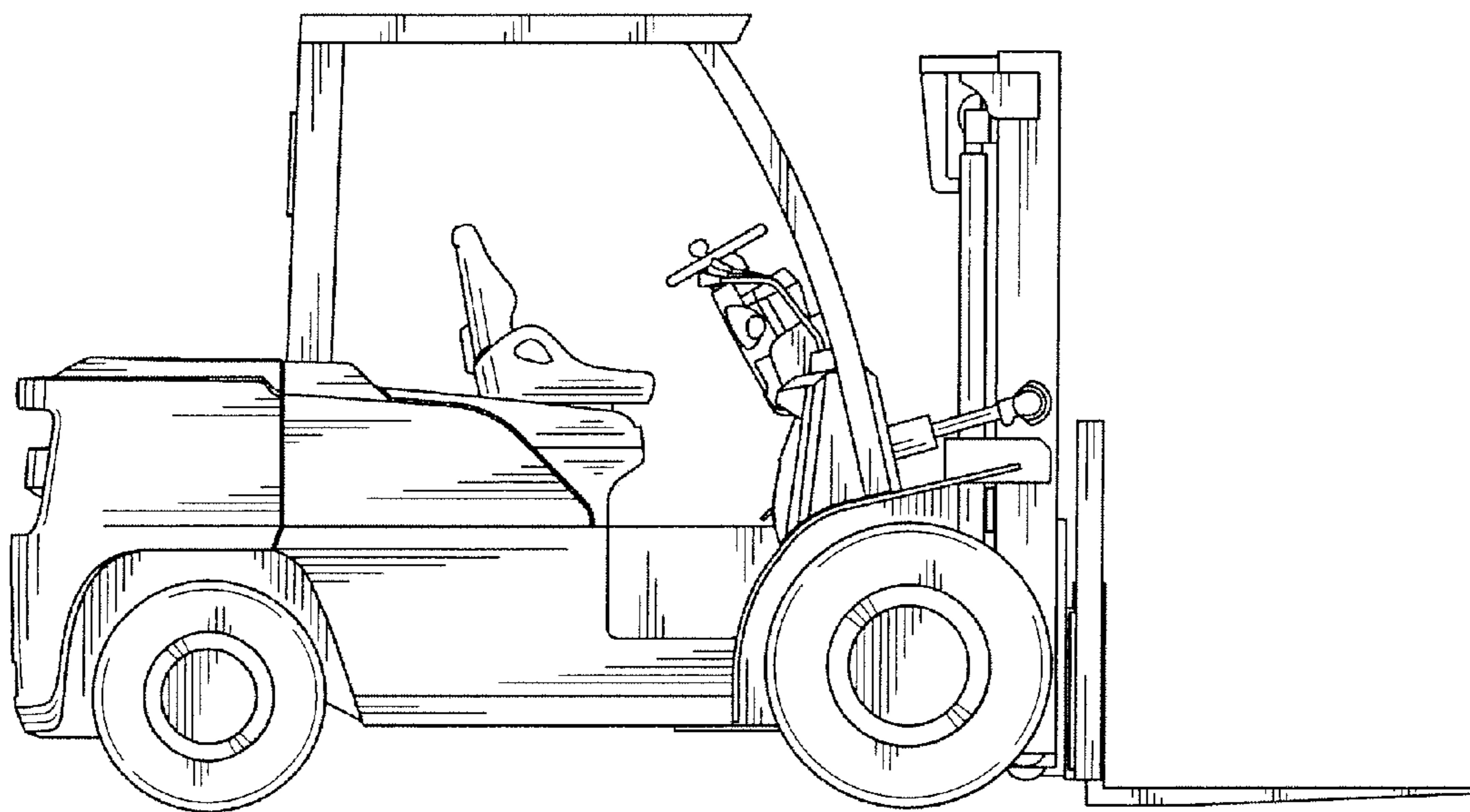


Fig.5

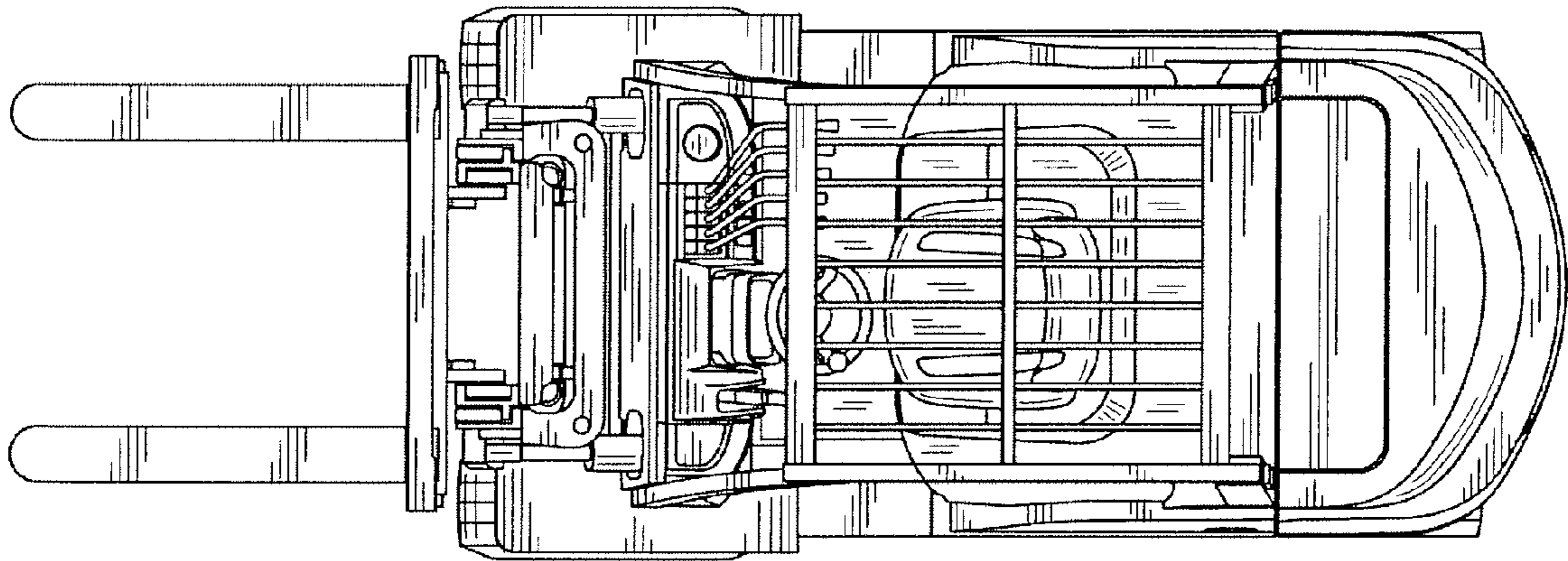


Fig.6

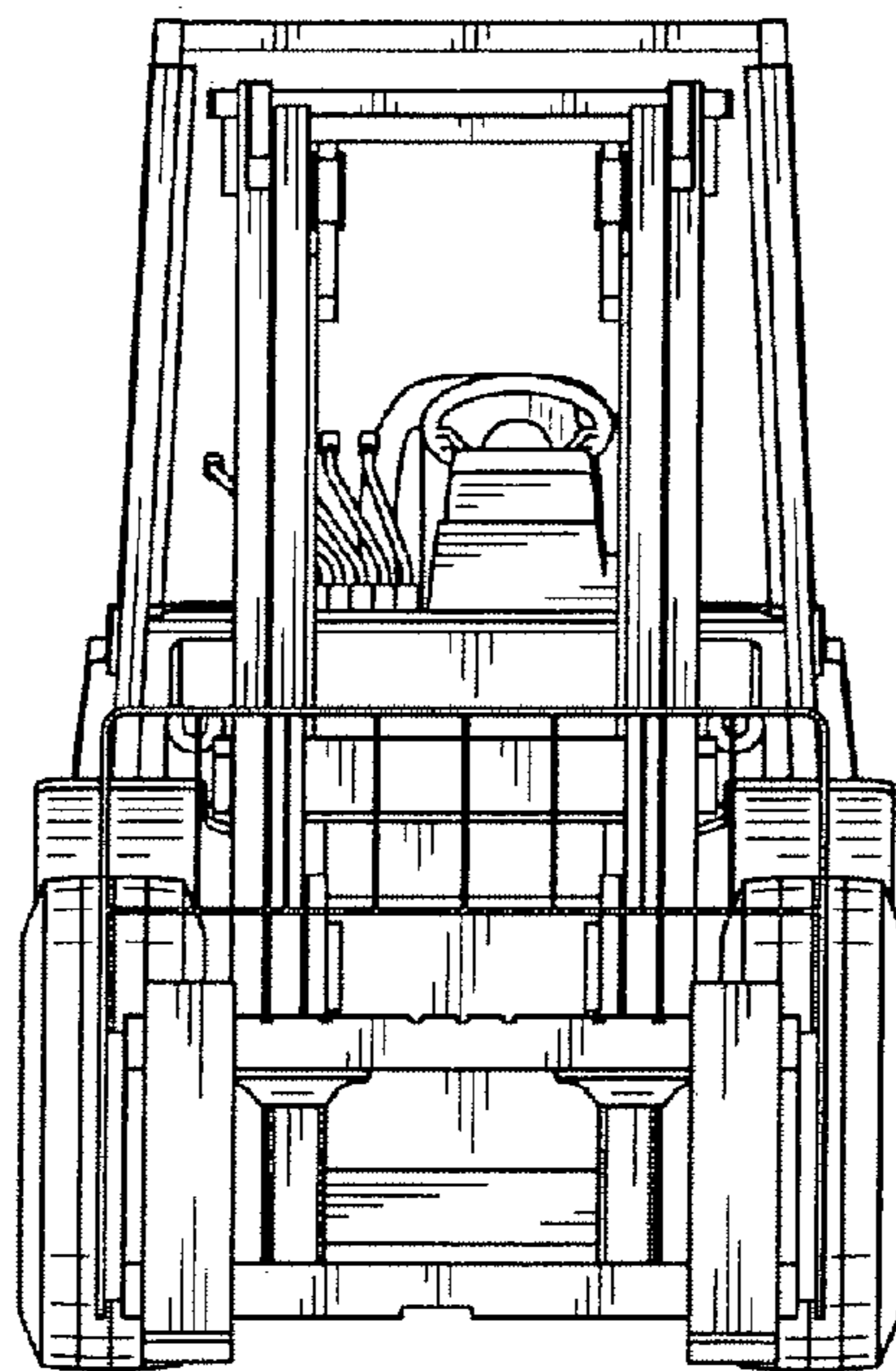


Fig.7

