



US00D601323S

(12) **United States Design Patent**
Scicluna et al.

(10) **Patent No.:** **US D601,323 S**

(45) **Date of Patent:** **** Sep. 29, 2009**

(54) **CART**

D391,734 S * 3/1998 Melgey D34/24
D470,291 S * 2/2003 Panasewicz et al. D34/16

(75) Inventors: **Peter Leo Scicluna**, Concord (AU);
Raymond Scicluna, Reedy Creek (AU)

* cited by examiner

(73) Assignee: **Kart It Pty Ltd** (AU)

Primary Examiner—Cynthia E Ramirez

(74) *Attorney, Agent, or Firm*—Hoffmann & Baron, LLP

(**) Term: **14 Years**

(57) **CLAIM**

(21) Appl. No.: **29/319,012**

The ornamental design for a cart, as shown and described.

(22) Filed: **Jun. 2, 2008**

DESCRIPTION

(51) **LOC (9) Cl.** **12-02**

(52) **U.S. Cl.** **D34/24**

(58) **Field of Classification Search** D34/12–27;
280/47.3, 47.26, 47.24, 47.131, 79.2, 79.11

See application file for complete search history.

FIG. 1 is a top view of a cart showing our new design;

FIG. 2 is a bottom view thereof;

FIG. 3 is a front view thereof;

FIG. 4 is a right hand side view thereof;

FIG. 5 is a left hand side view thereof;

FIG. 6 is a rear view thereof; and,

FIG. 7 is a detailed view thereof.

(56) **References Cited**

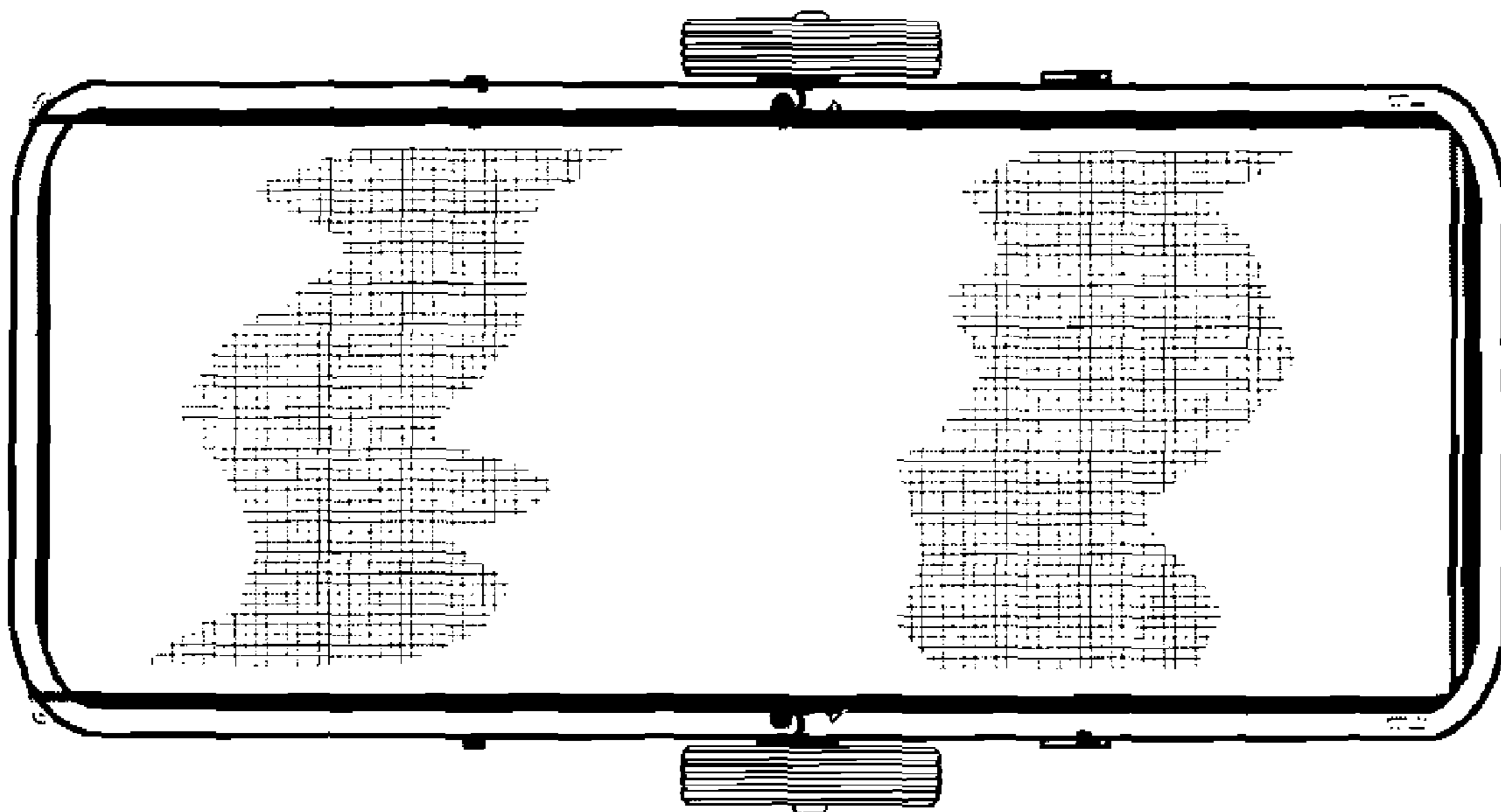
U.S. PATENT DOCUMENTS

- 2,789,829 A * 4/1957 Parker 280/654
- 2,813,646 A * 11/1957 Rupe, Jr. 414/447
- 3,820,807 A * 6/1974 Curran 280/47.3
- 3,963,258 A * 6/1976 Stone et al. 280/47.34
- 4,174,849 A * 11/1979 Wetzel 280/47.3
- D363,585 S * 10/1995 Crossman et al. D34/12
- D391,030 S * 2/1998 Slack D34/19

The mesh-like shading is partially shown, it being understood that the shading extends throughout the surface where it appears.

The broken line showings in FIGS. 1–7 is included for the purpose of illustrating environment and forms no part of the claimed design.

1 Claim, 2 Drawing Sheets



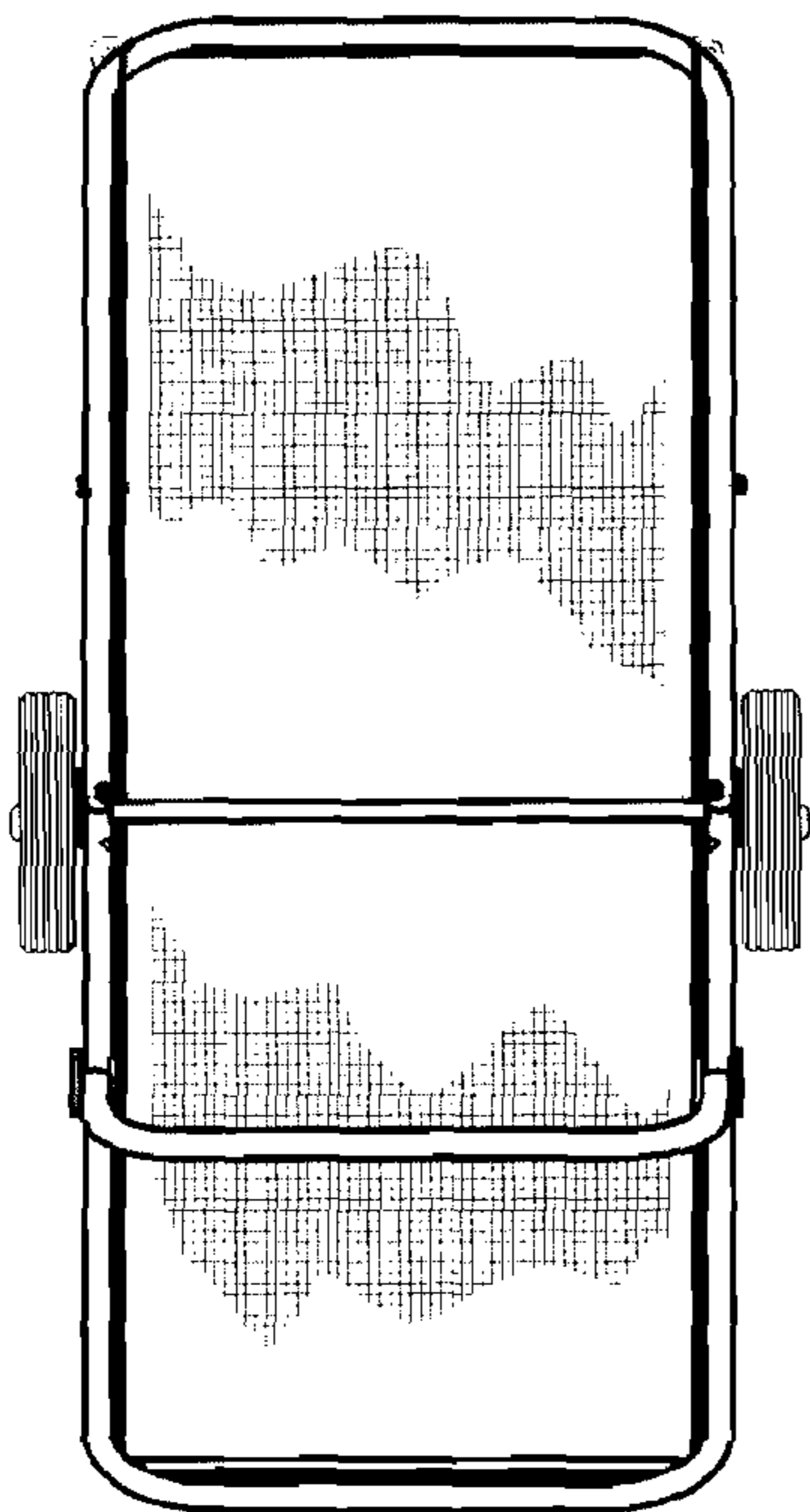


Fig. 1

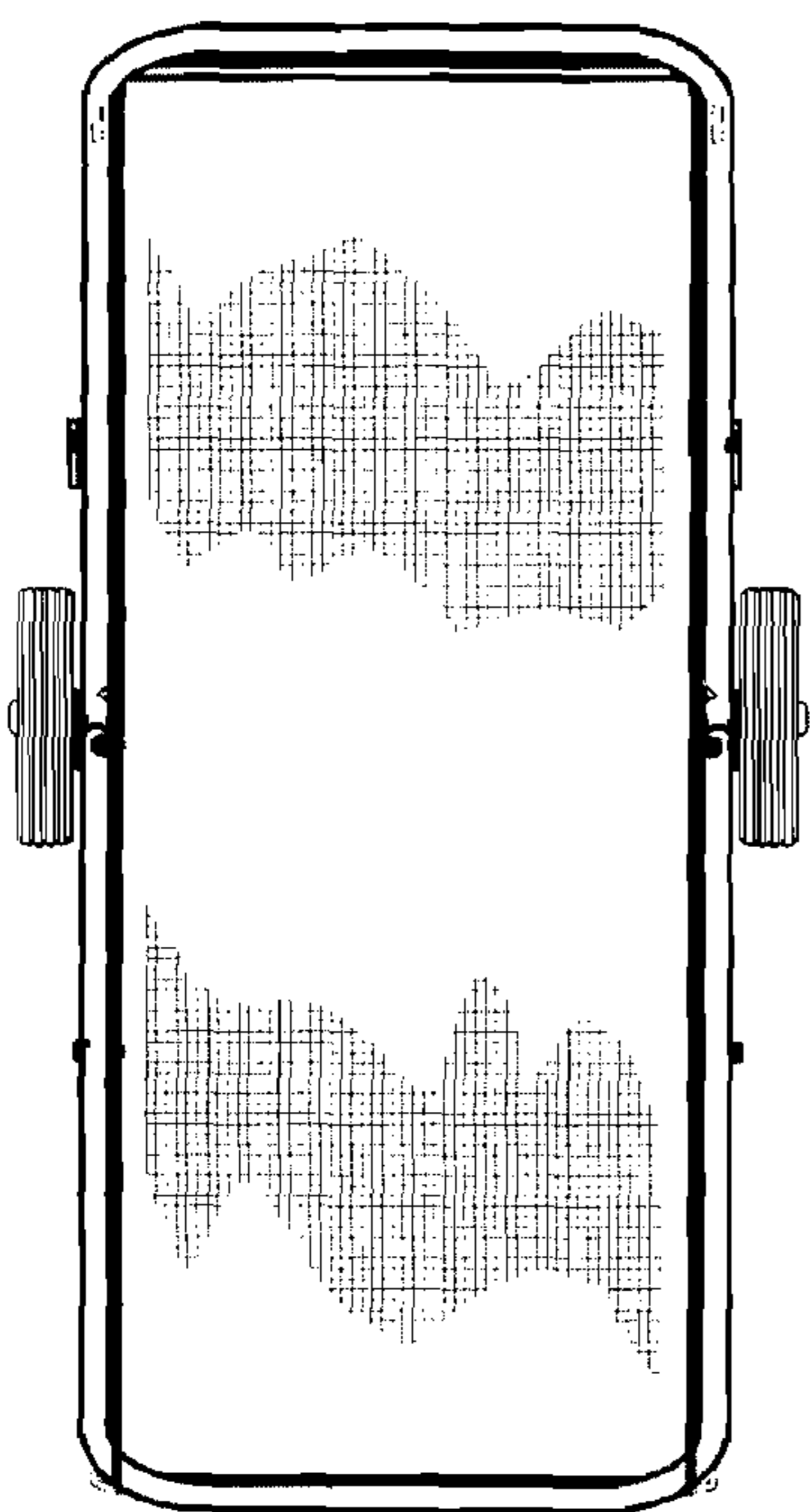


Fig. 2

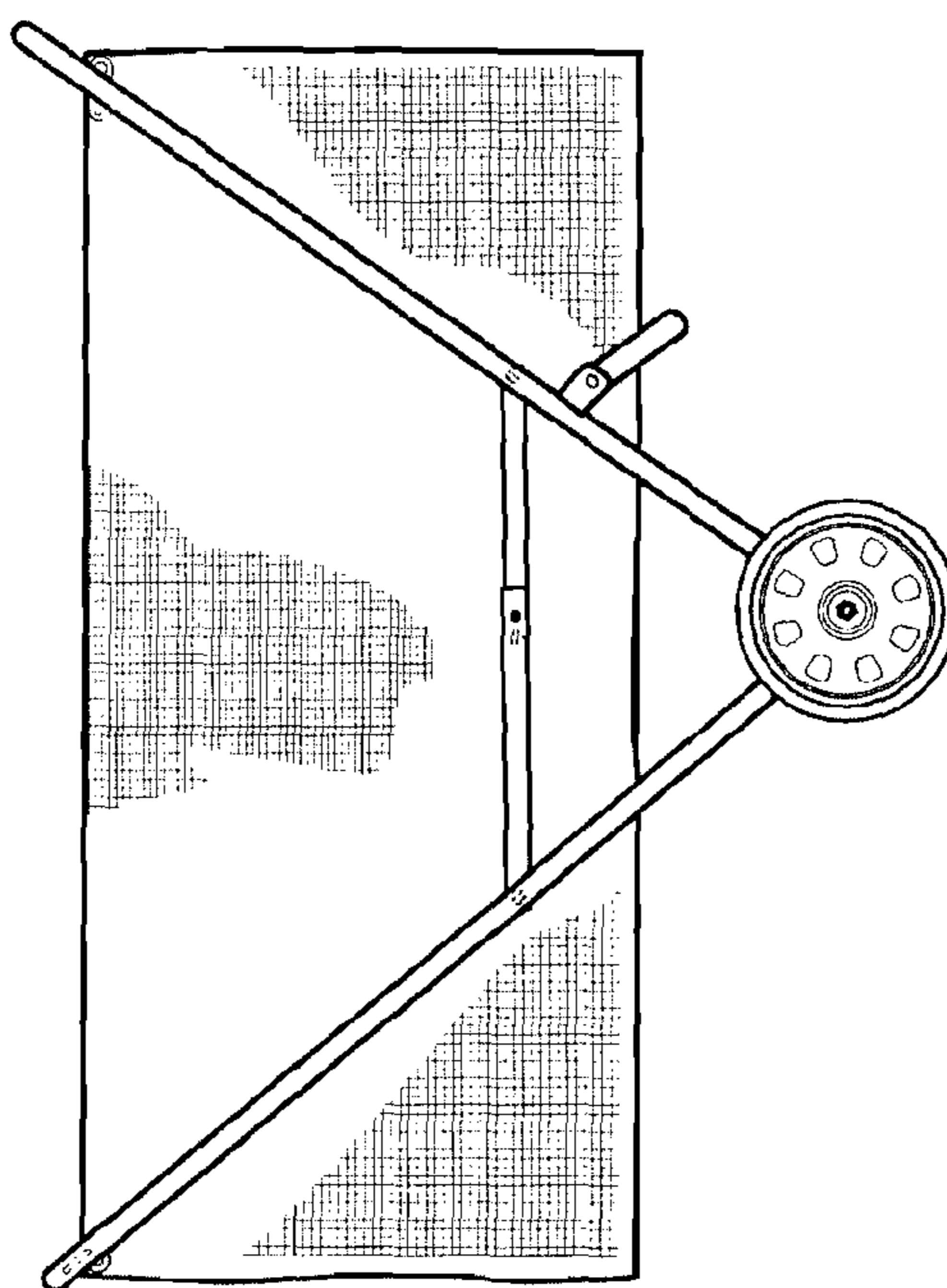


Fig. 3

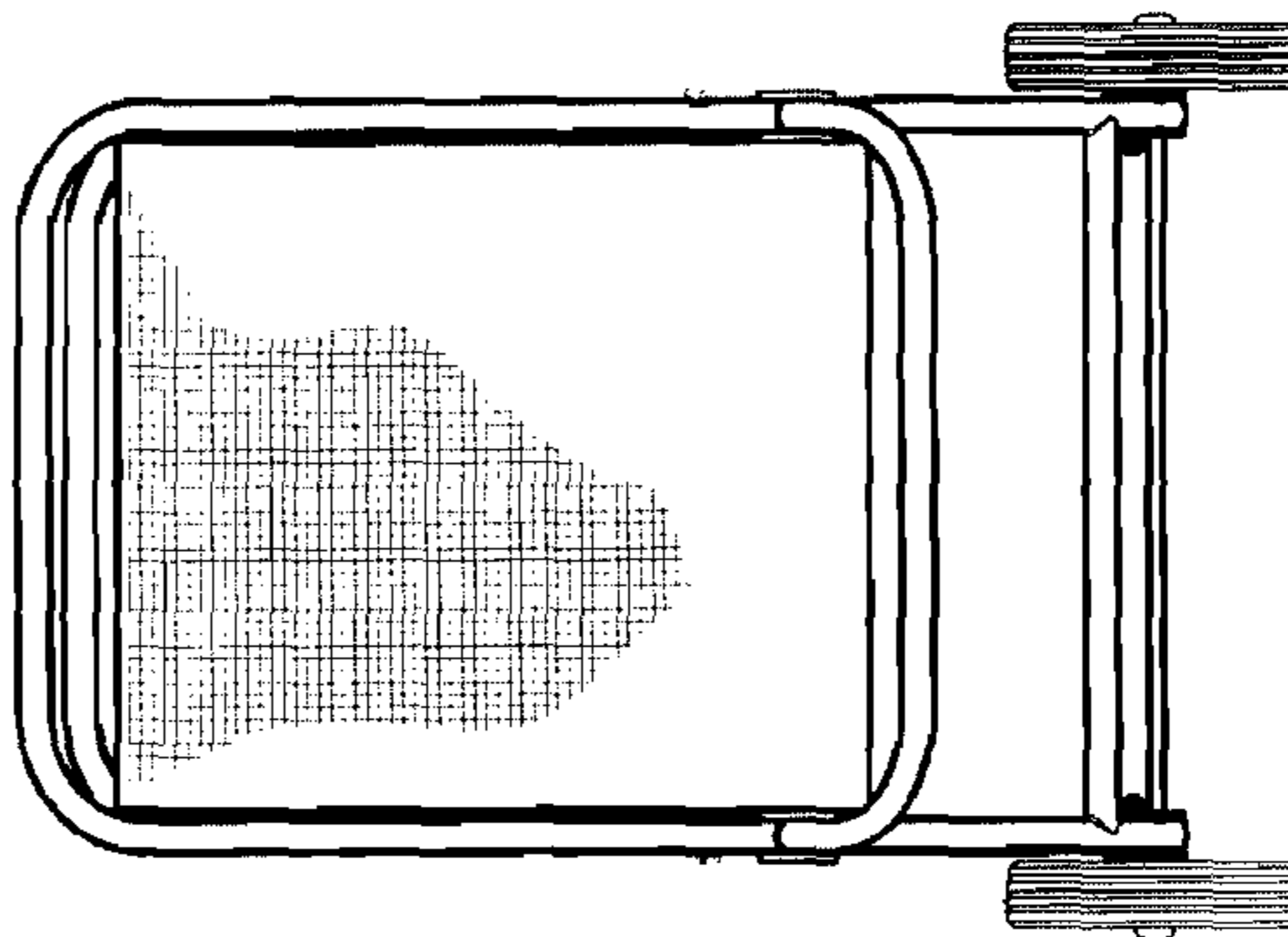


Fig. 4

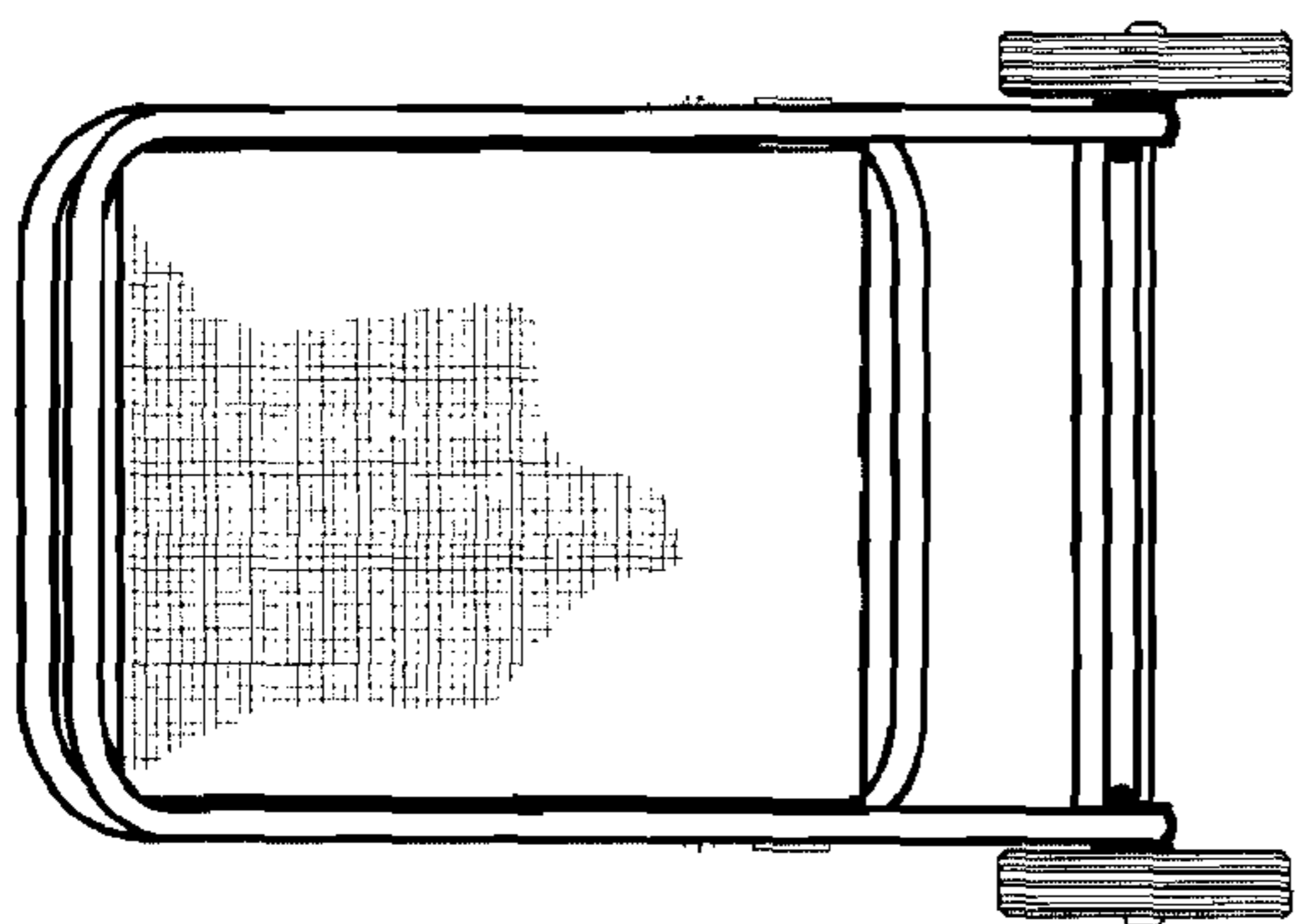


Fig. 5

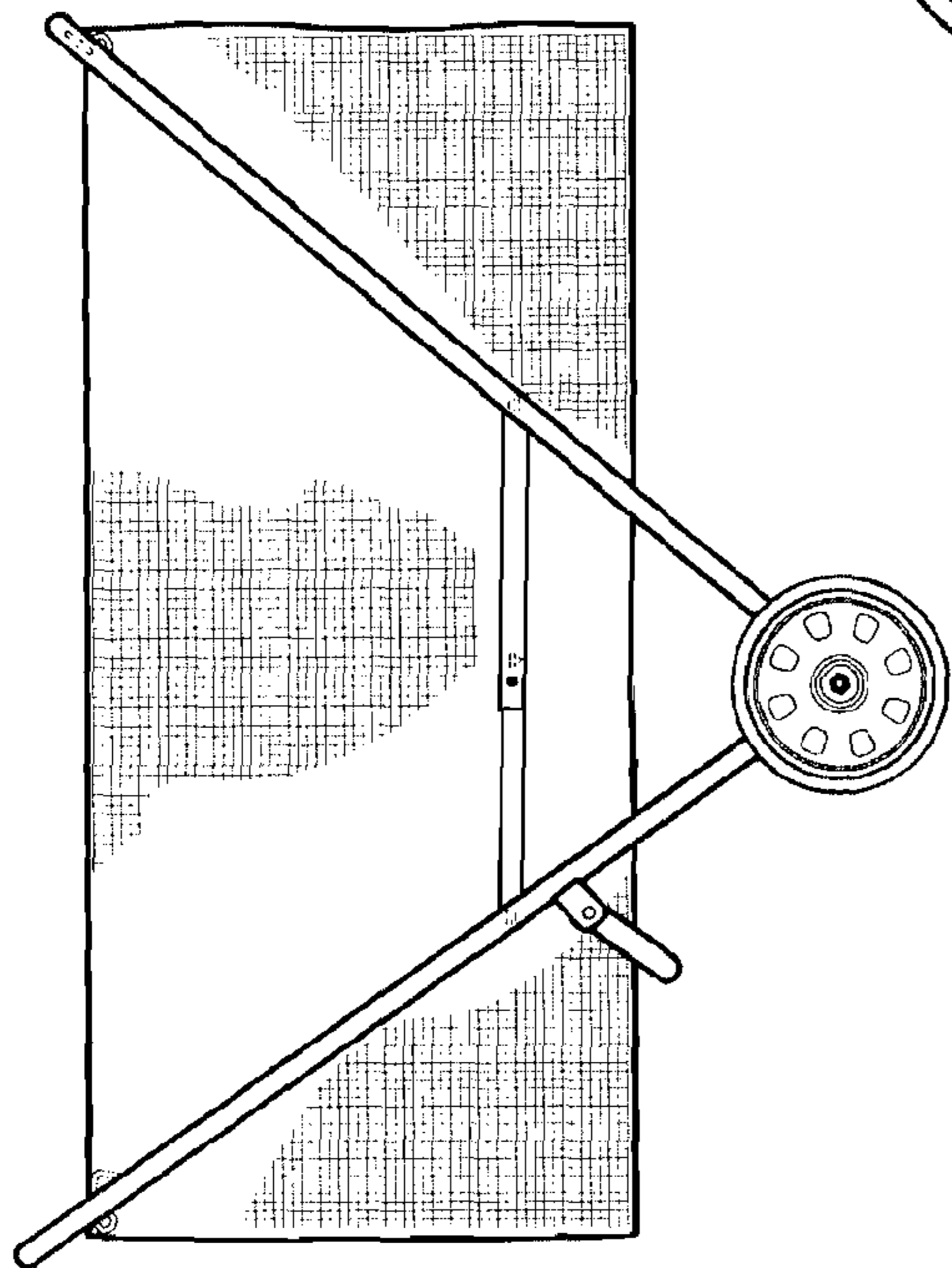


Fig. 6

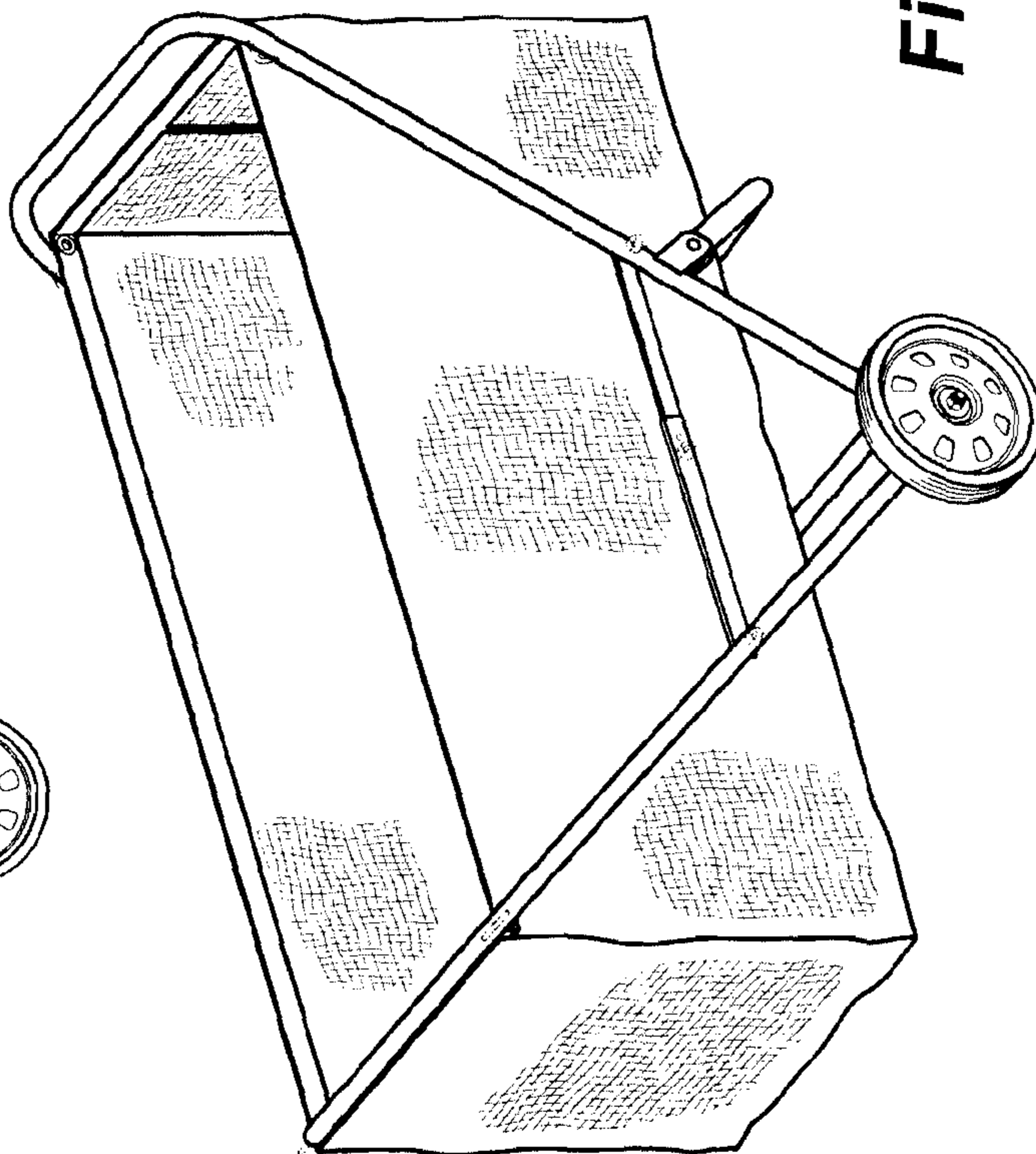


Fig. 7