



US00D601322S

(12) **United States Design Patent**  
**Lee**

(10) **Patent No.:** **US D601,322 S**

(45) **Date of Patent:** **\*\* Sep. 29, 2009**

(54) **TRASH CAN**

(75) Inventor: **Jang-Won Lee**, Yongin-si (KR)

(73) Assignee: **NuriInternational Co., Ltd.**, Seoul (KR)

(\*\*) Term: **14 Years**

(21) Appl. No.: **29/327,212**

(22) Filed: **Oct. 31, 2008**

(30) **Foreign Application Priority Data**

May 2, 2008 (KR) ..... 30-2008-0018785

(51) **LOC (9) Cl.** ..... **09-09**

(52) **U.S. Cl.** ..... **D34/11**

(58) **Field of Classification Search** ..... D34/1,  
D34/5, 6, 7, 8, 9, 10, 11; 220/908, 908.1,  
220/910, 911, 200

See application file for complete search history.

(56) **References Cited**

**U.S. PATENT DOCUMENTS**

3,130,856 A \* 4/1964 Gits ..... 220/263

D554,319 S \* 10/2007 Chen ..... D34/1

\* cited by examiner

*Primary Examiner*—Cynthia E Ramirez

(74) *Attorney, Agent, or Firm*—Knobbe Martens Olson & Bear LLP

(57) **CLAIM**

The ornamental design for a trash can, as shown and described.

**DESCRIPTION**

FIG. 1 is a perspective view of a trash can in accordance with an embodiment of the present invention;

FIG. 2 is a front elevational view thereof;

FIG. 3 is a rear elevational view thereof;

FIG. 4 is a left side elevational view thereof;

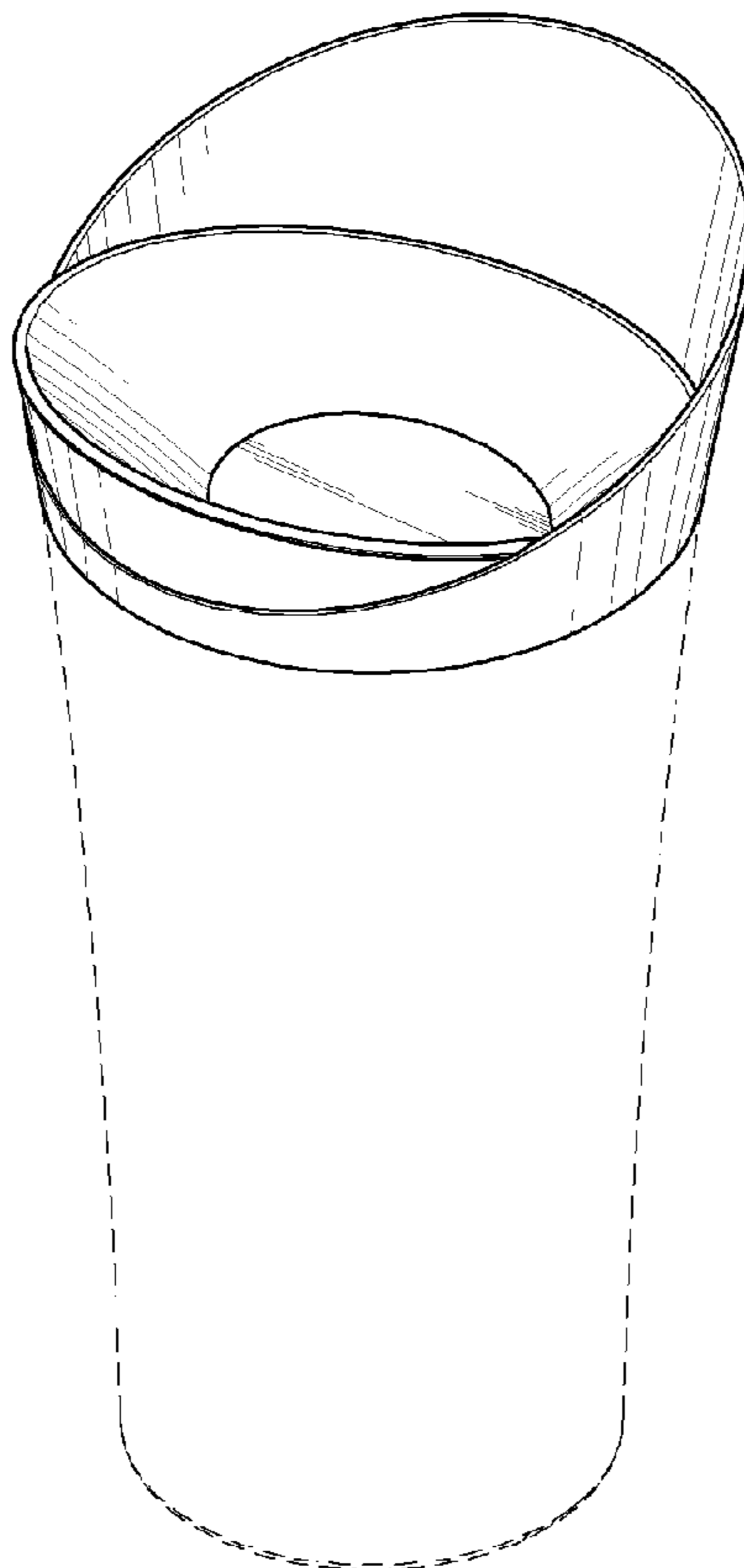
FIG. 5 is a right side elevational view thereof;

FIG. 6 is a top plan view thereof; and,

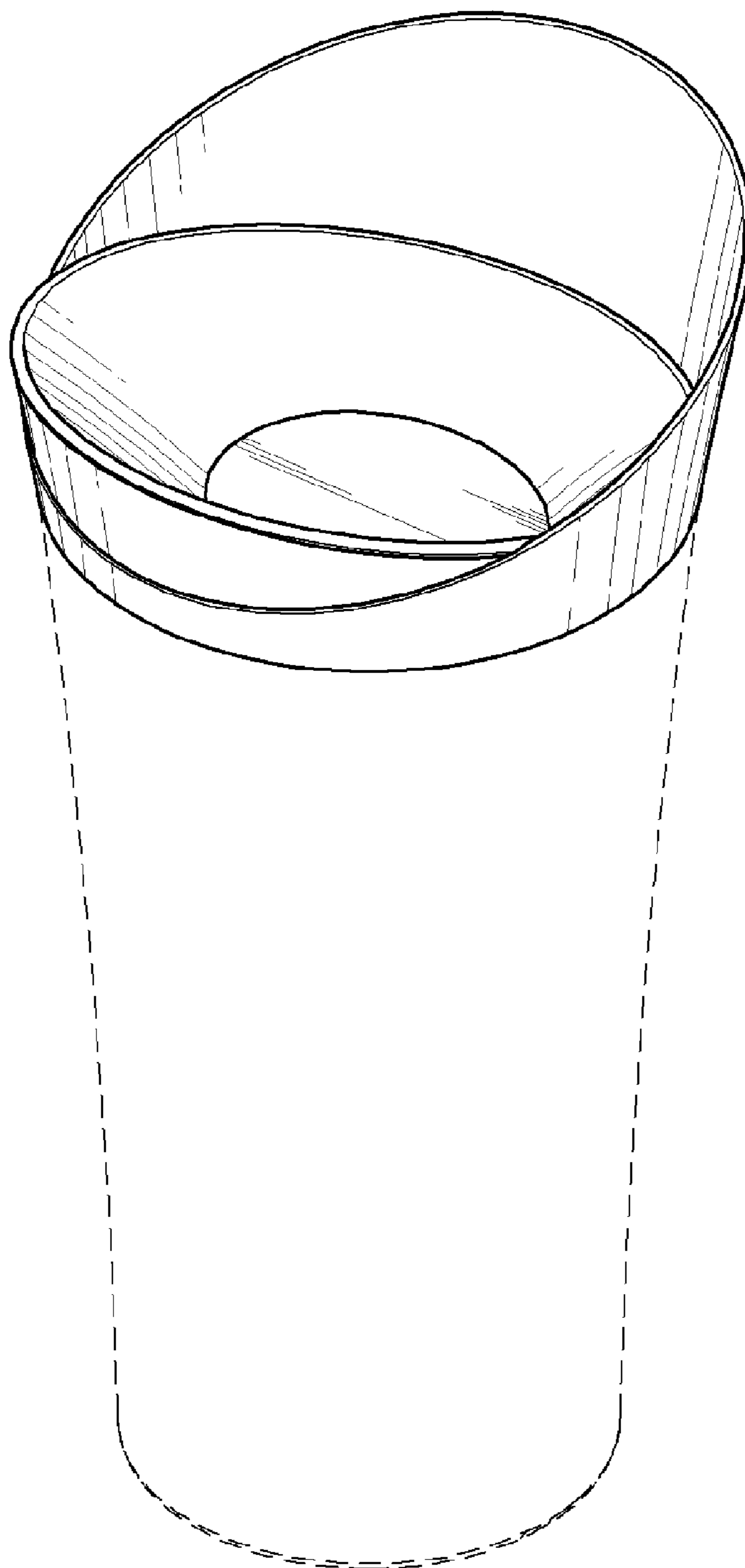
FIG. 7 is a bottom plan view thereof.

The broken lines shown in the drawings are included for the purpose of illustrating environmental structures and form no part of the claimed design.

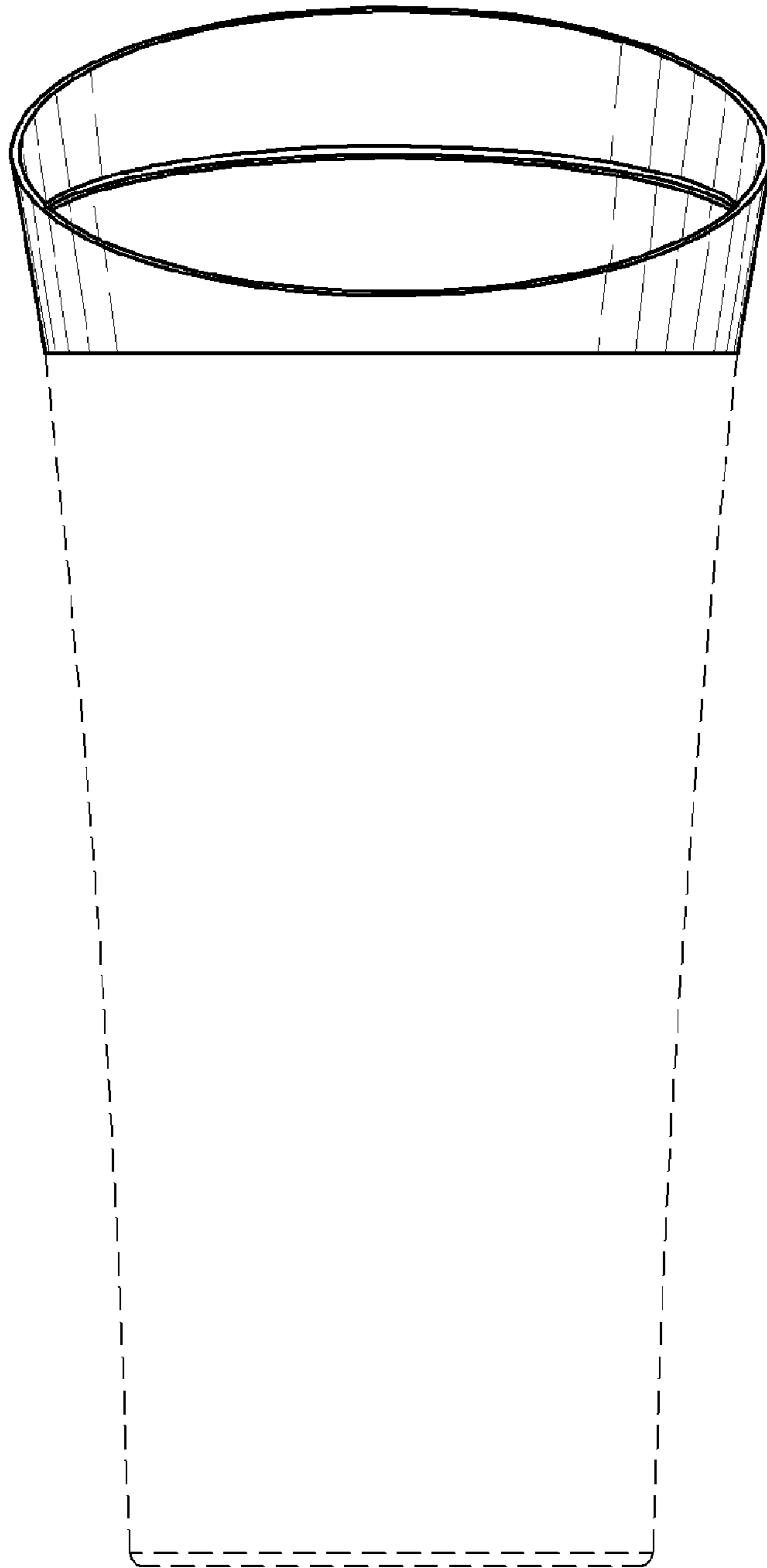
**1 Claim, 7 Drawing Sheets**



**Fig. 1**



**Fig. 2**



**Fig. 3**

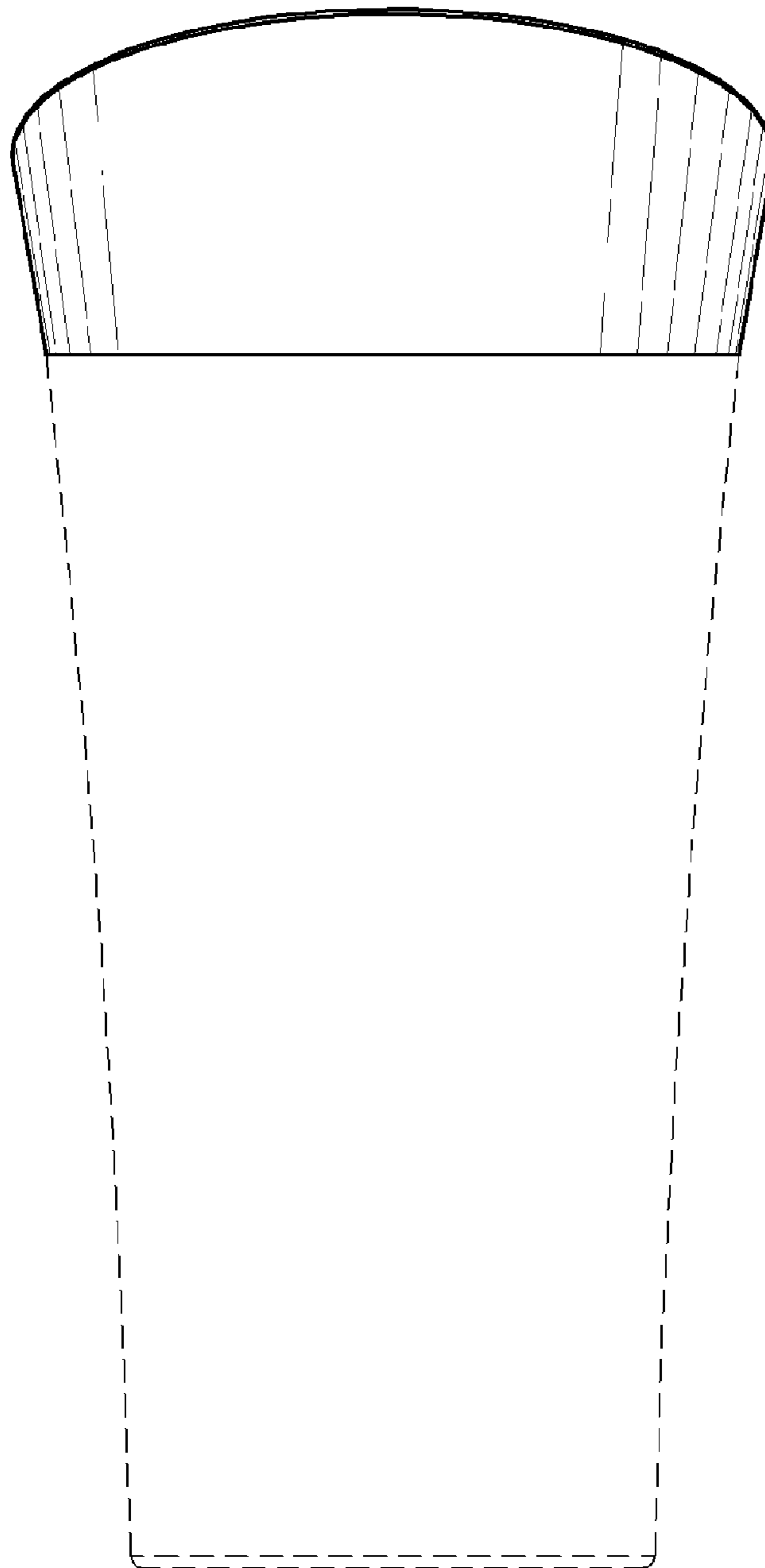


Fig. 4

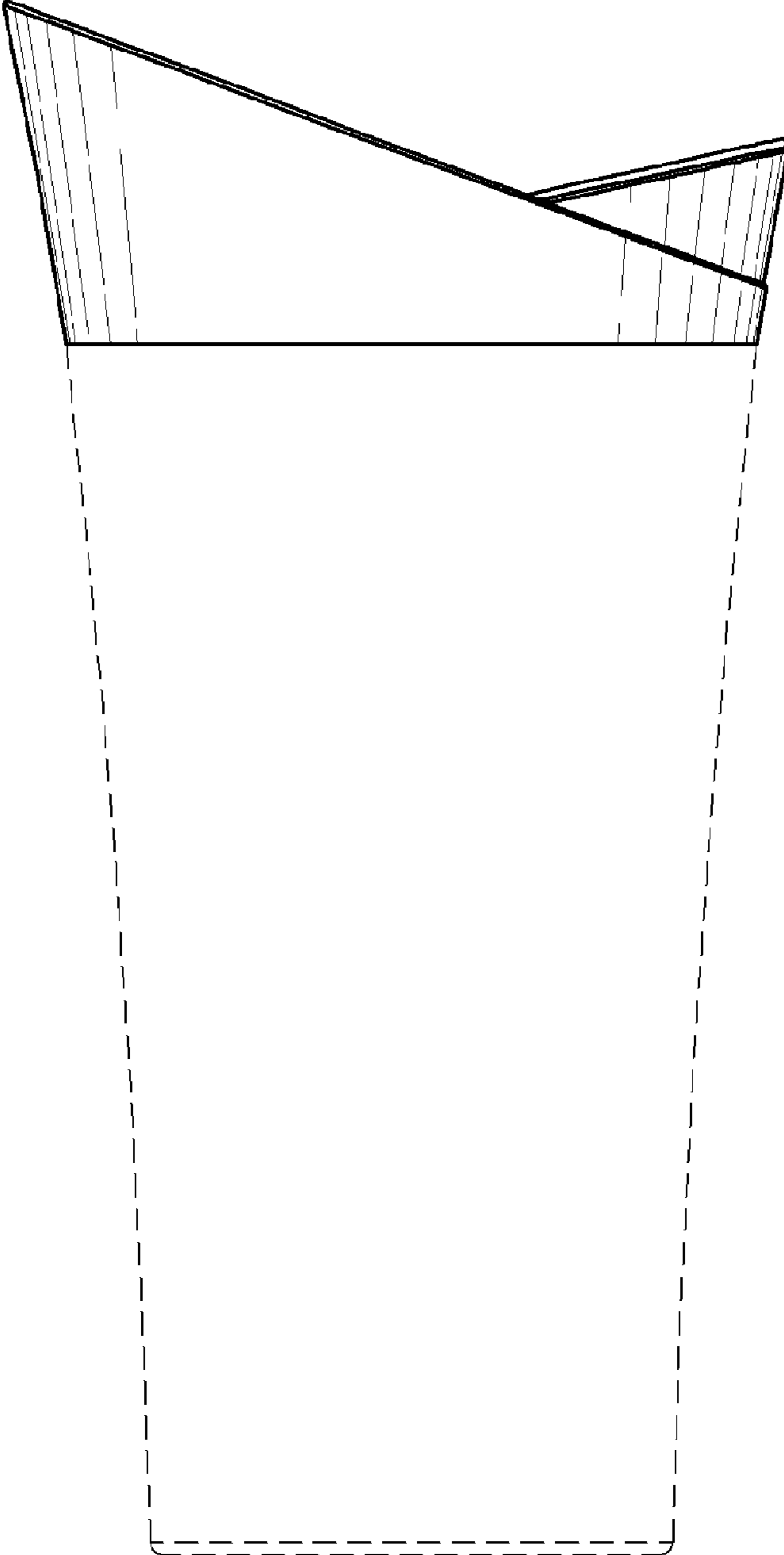
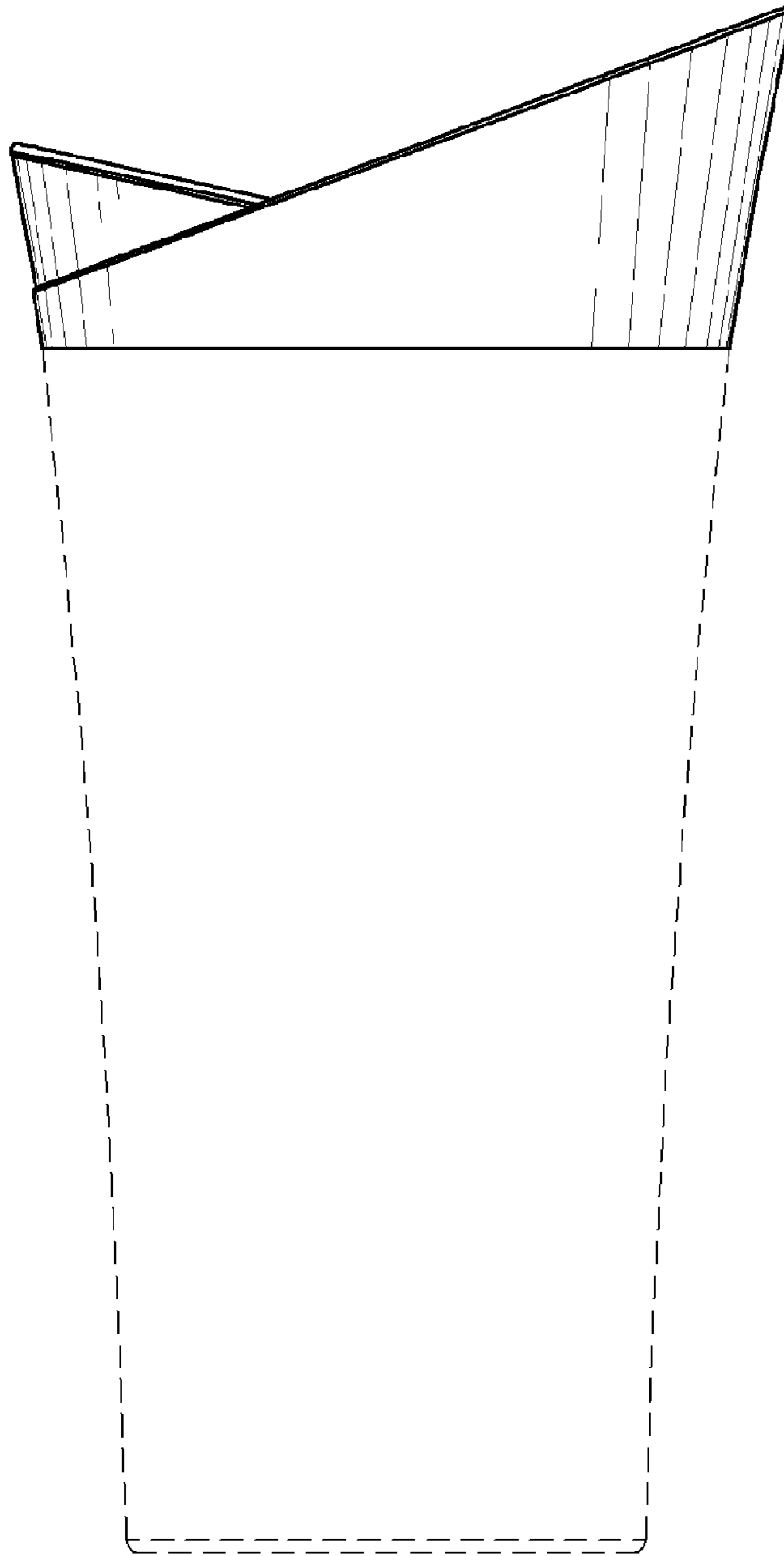
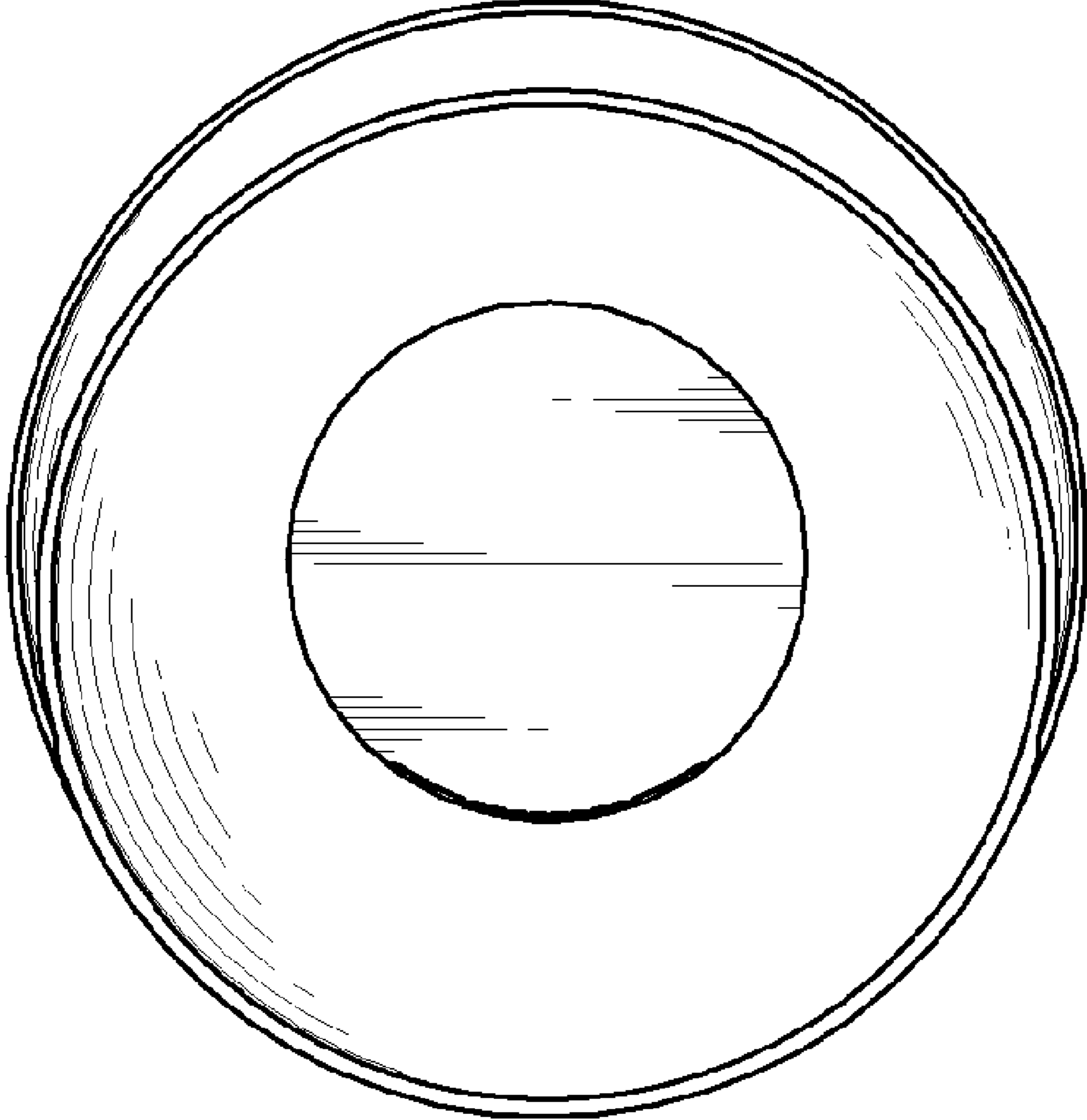


Fig. 5



**Fig. 6**



**Fig. 7**

