

US00D601321S

(12) **United States Design Patent**  
**Gardner**

(10) **Patent No.:** **US D601,321 S**

(45) **Date of Patent:** **\*\* Sep. 29, 2009**

(54) **RECYCLING BIN FOR PAPER**

(75) Inventor: **Scott R. Gardner**, Rockaway Township,  
NJ (US)

(73) Assignee: **Intercycle LLC**, Wayne, NJ (US)

(\*\*) Term: **14 Years**

(21) Appl. No.: **29/327,862**

(22) Filed: **Nov. 14, 2008**

(51) **LOC (9) Cl.** ..... **09-09**

(52) **U.S. Cl.** ..... **D34/7**

(58) **Field of Classification Search** ..... D34/1,  
D34/5, 6, 7, 8, 9, 10, 11; 220/908, 908.1,  
220/910, 911

See application file for complete search history.

(56) **References Cited**

**U.S. PATENT DOCUMENTS**

3,082,901	A *	3/1963	Nakagawa	.....	220/23.87
3,184,100	A *	5/1965	Thomas	.....	220/495.08
D220,451	S *	4/1971	Norquest	.....	D34/8
D562,520	S *	2/2008	Gardner et al.	.....	D34/7
D571,970	S *	6/2008	Gardner et al.	.....	D34/7

\* cited by examiner

*Primary Examiner*—Cynthia E Ramirez

(74) *Attorney, Agent, or Firm*—Richard M. Goldberg

(57) **CLAIM**

The ornamental design for a recycling bin for paper, as shown and described.

**DESCRIPTION**

FIG. 1 is a perspective view of the recycling bin for paper of our design, viewed from the top and front, in a closed configuration;

FIG. 2 is a front elevational view thereof;

FIG. 3 is a rear elevational view thereof;

FIG. 4 is a right side elevational view thereof;

FIG. 5 is a left side elevational view thereof;

FIG. 6 is a top plan view thereof;

FIG. 7 is a bottom plan view thereof; and,

FIG. 8 is a perspective view thereof, viewed from the top and front, in an open configuration.

The broken lines in FIG. 7 are included for the purpose of illustrating environment and form no part of the claimed design.

**1 Claim, 8 Drawing Sheets**

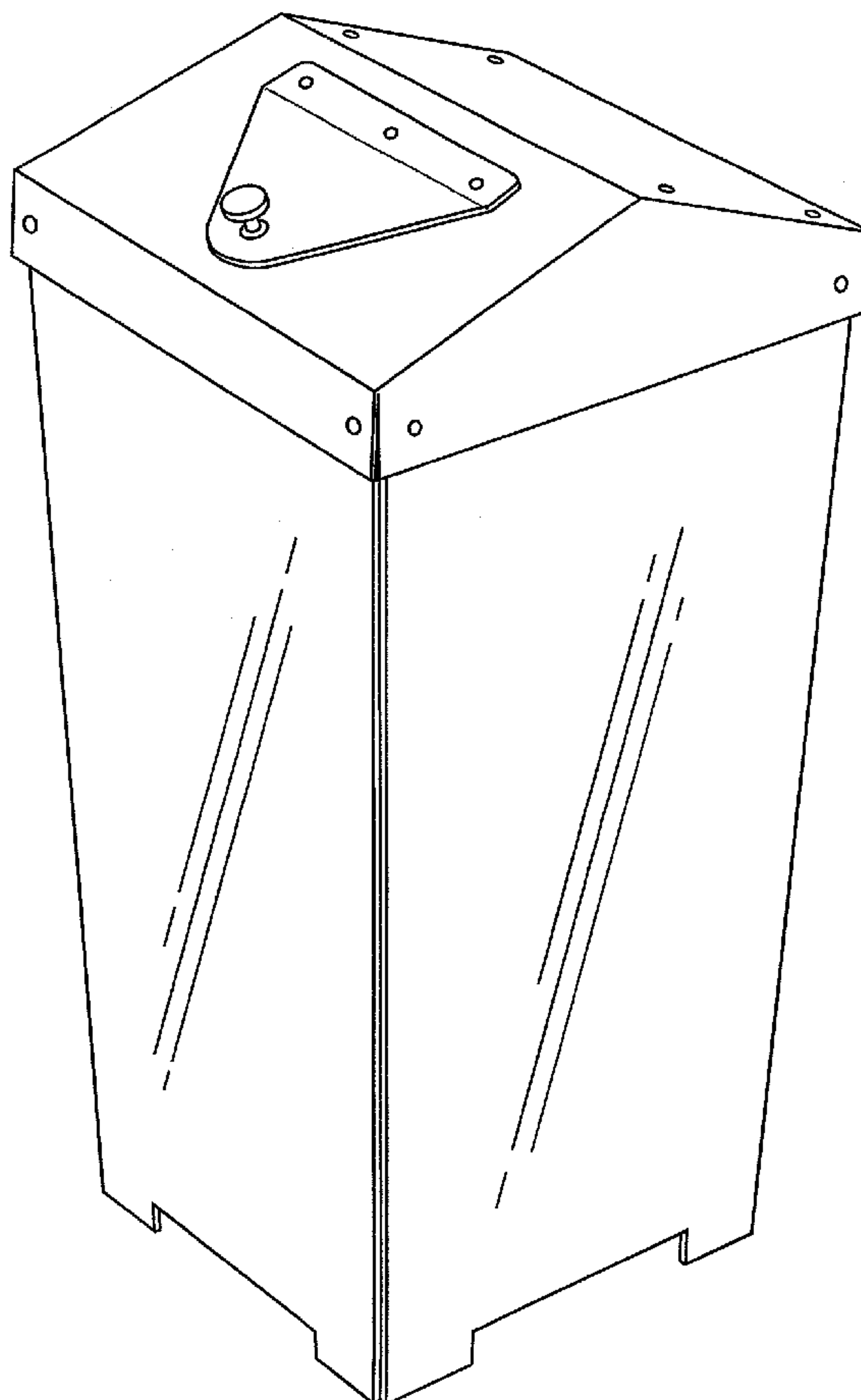


FIG. 1

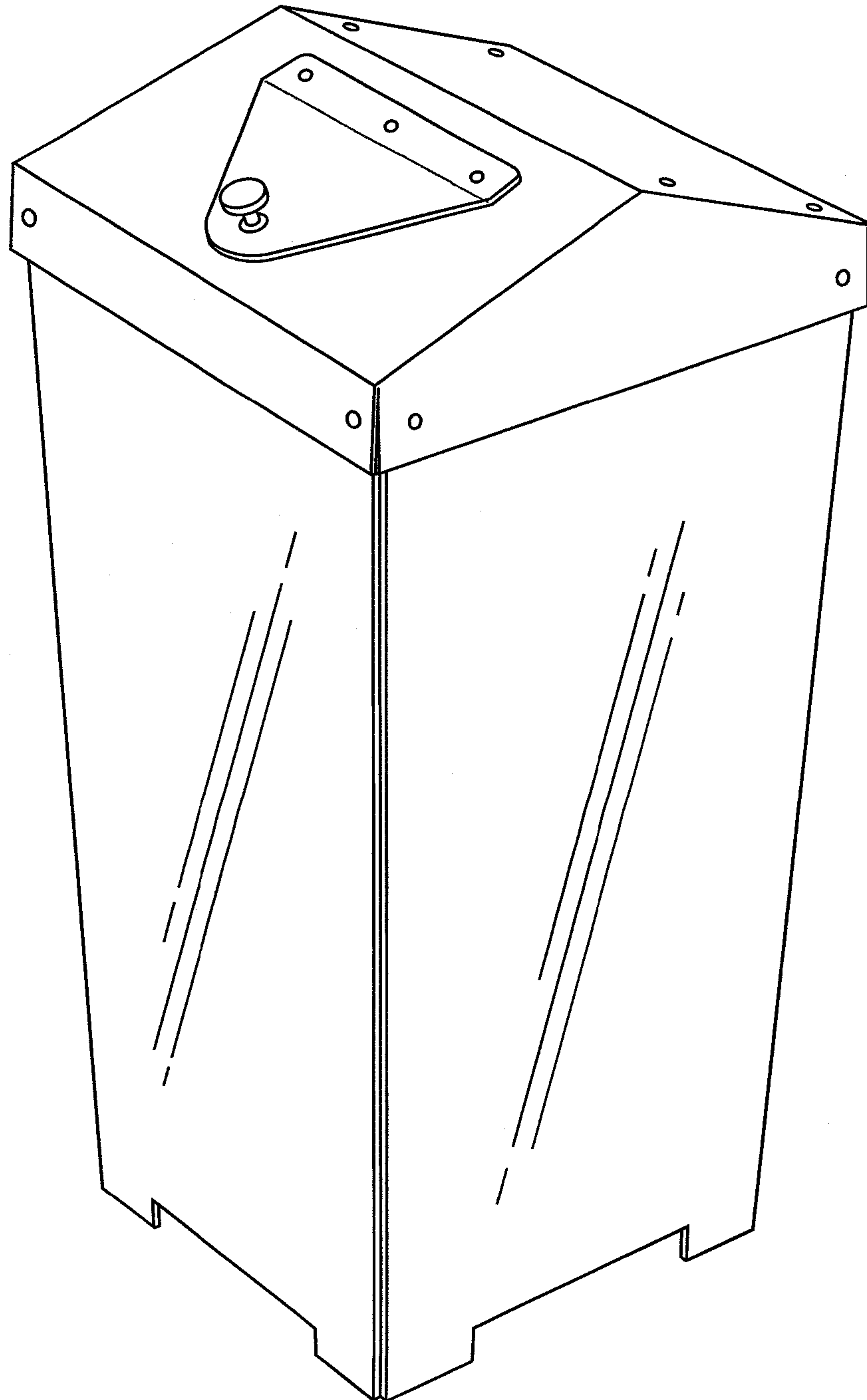


FIG. 2

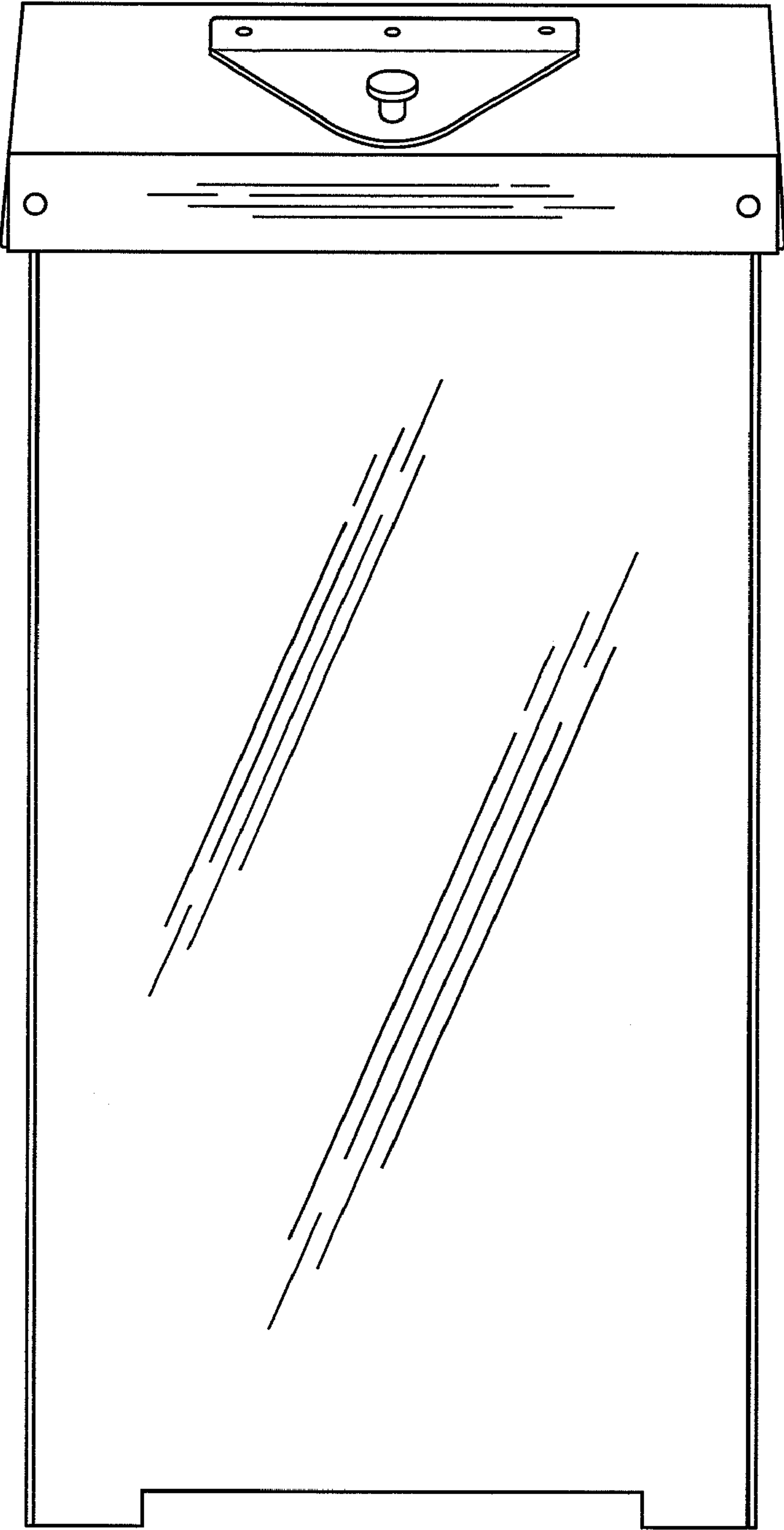


FIG. 3

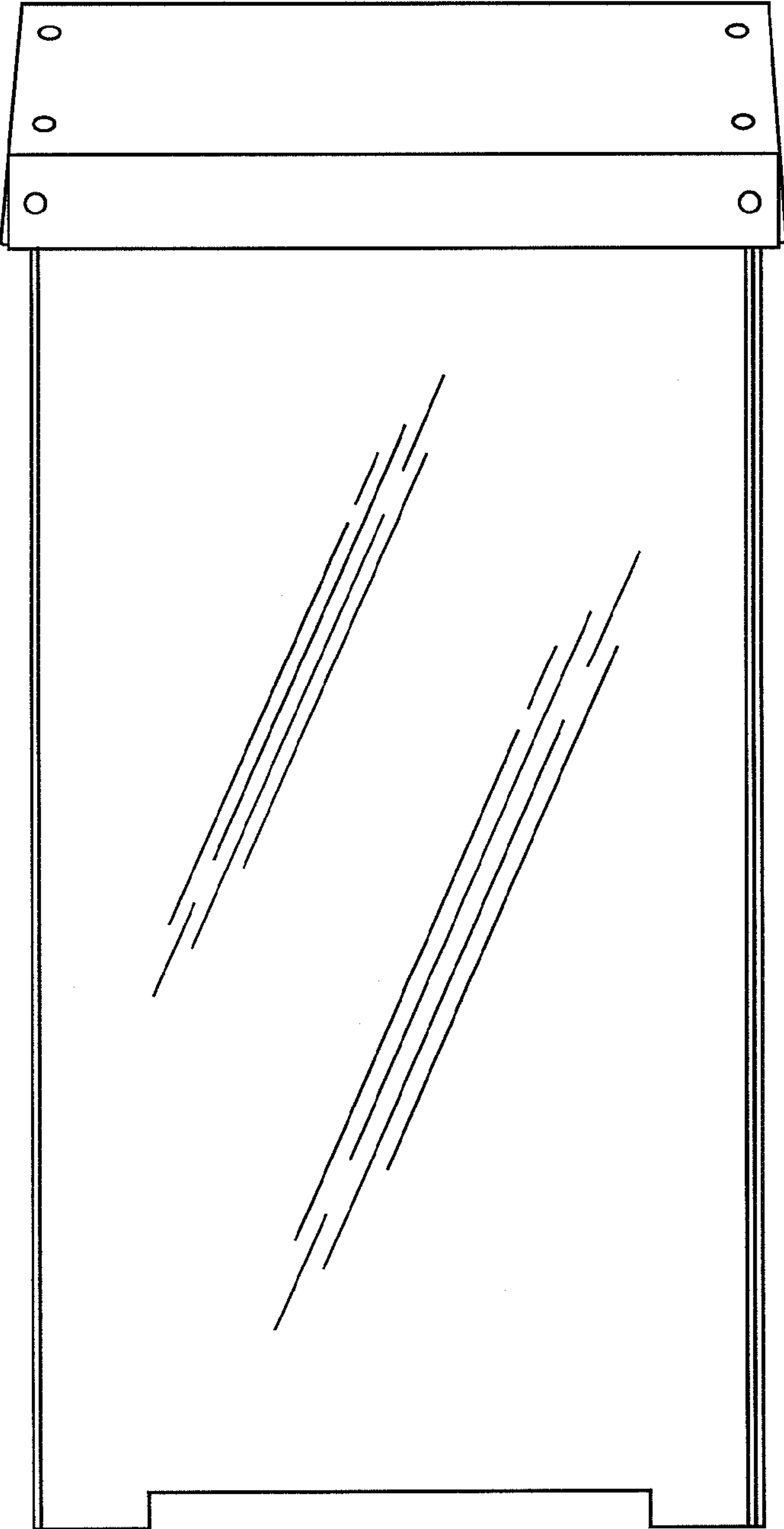


FIG. 4

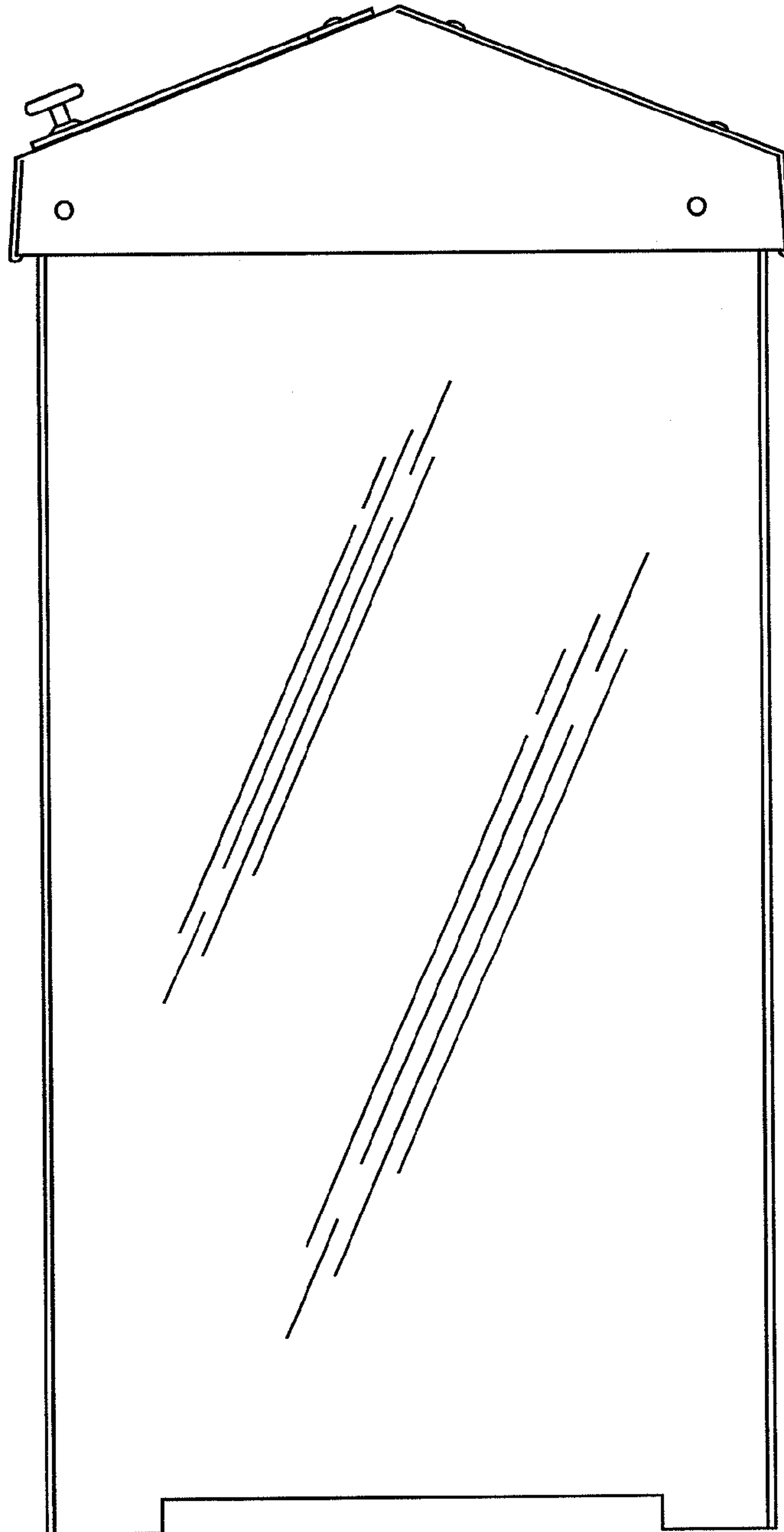


FIG. 5

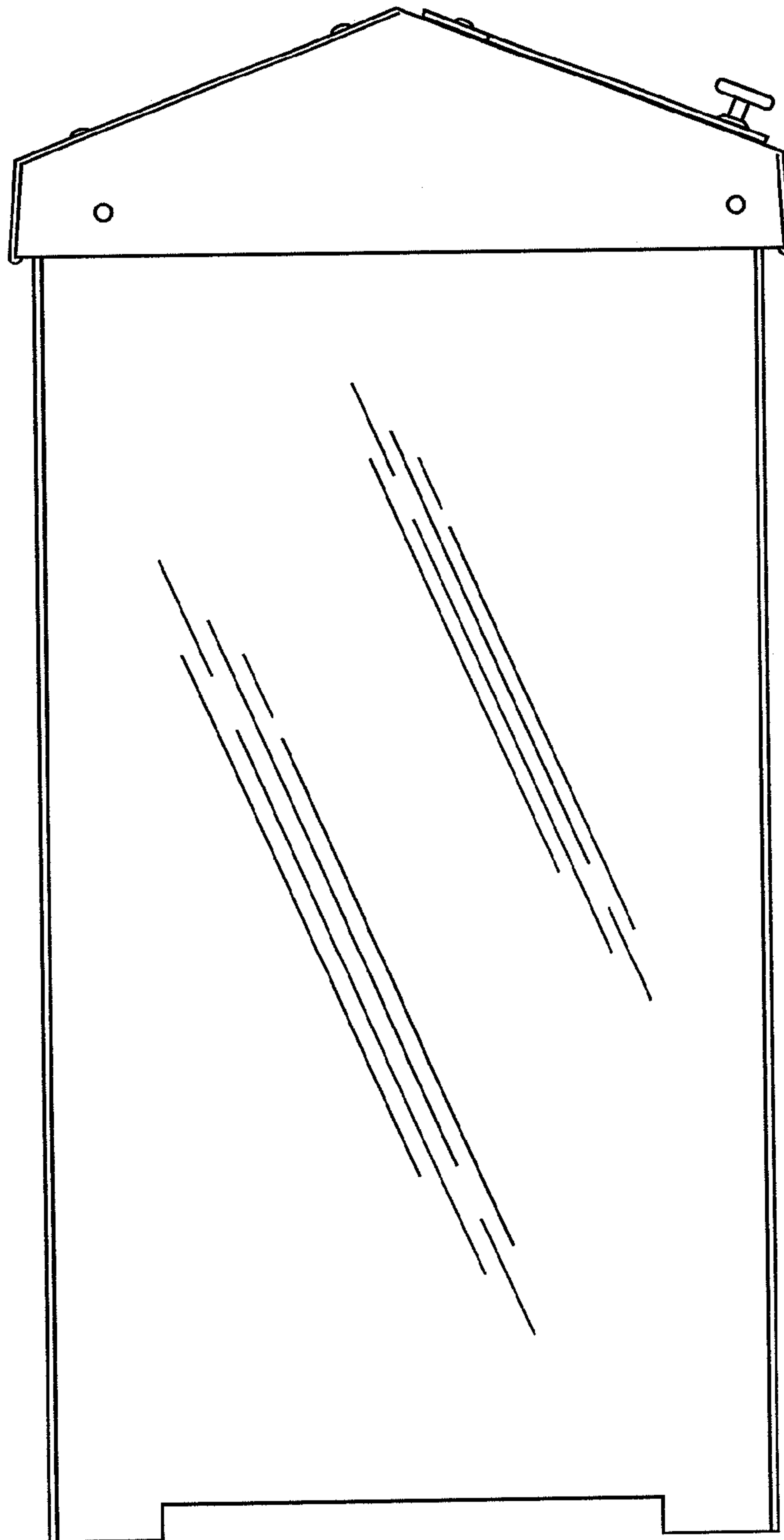


FIG. 6

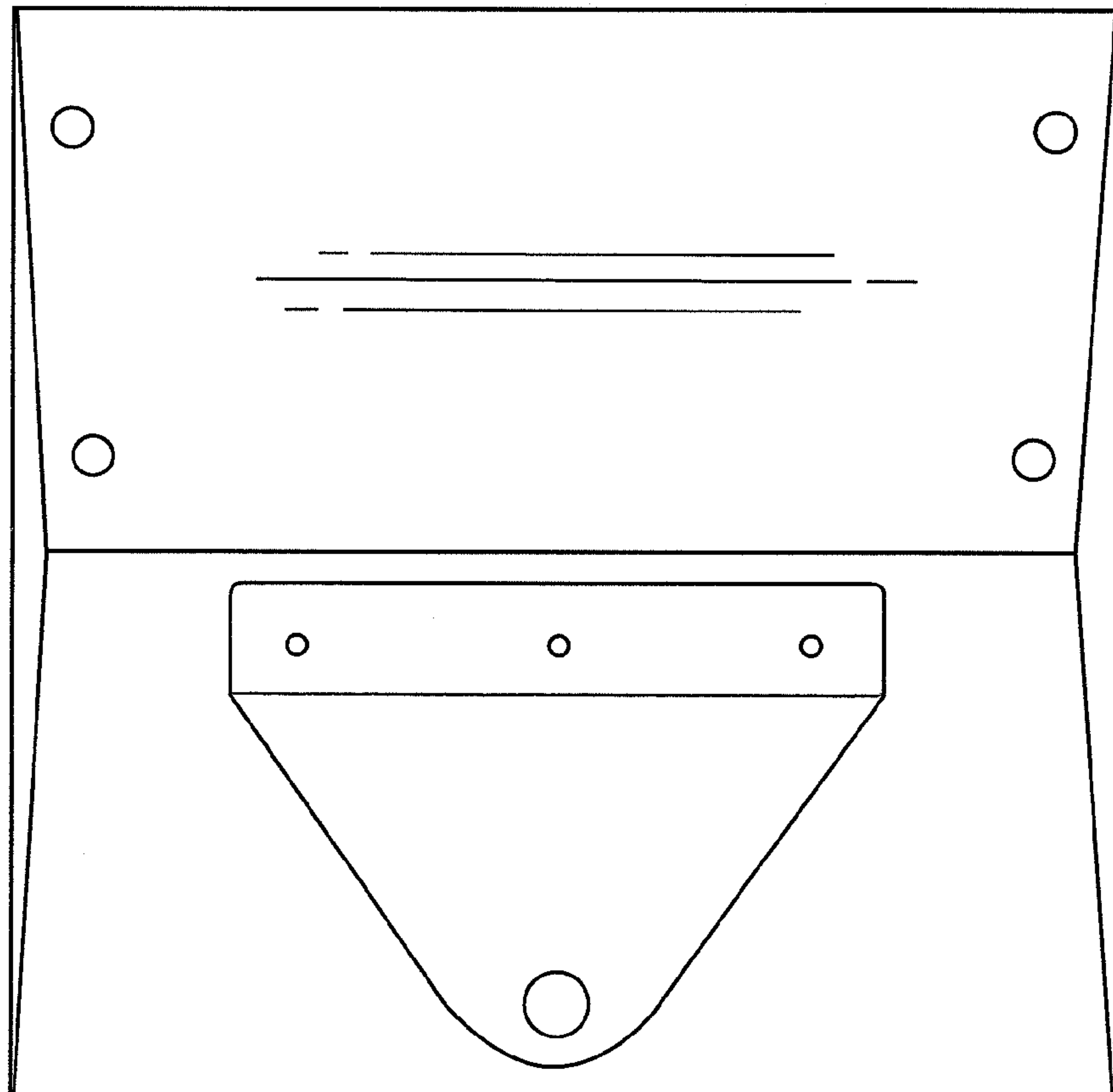


FIG. 7

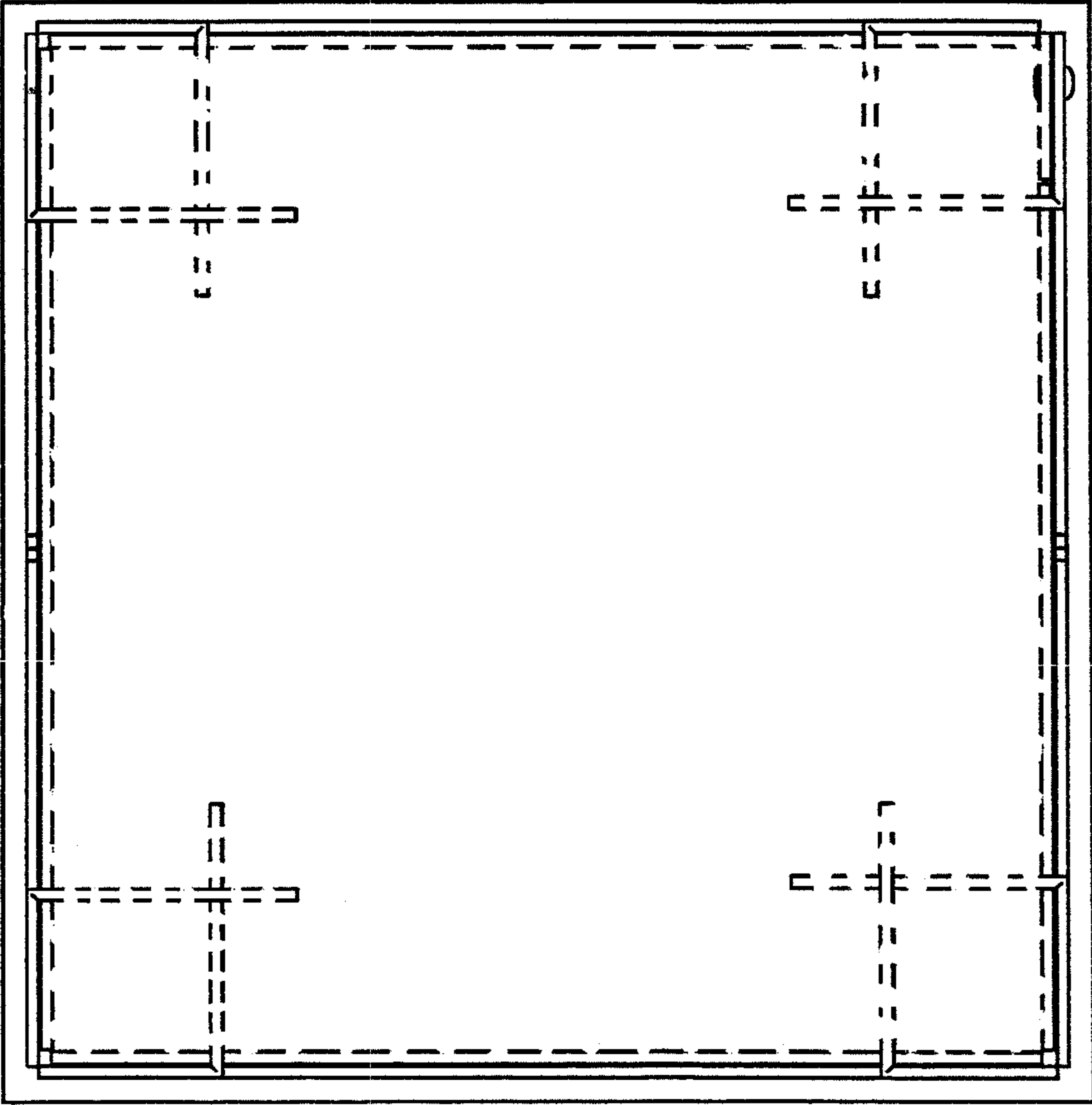




FIG. 8

