



US00D601315S

(12) **United States Design Patent**
Lee et al.

(10) **Patent No.:** **US D601,315 S**
(45) **Date of Patent:** **** Sep. 29, 2009**

(54) **VACUUM CLEANER**

(75) Inventors: **Young Seok Lee**, Seoul (KR); **Seok Yul Lee**, Incheon (KR)

(73) Assignee: **Samsung Electronics Co., Ltd.**, Suwon (KR)

(**) Term: **14 Years**

(21) Appl. No.: **29/307,578**

(22) Filed: **Apr. 28, 2008**

(51) **LOC (9) Cl.** **15-05**

(52) **U.S. Cl.** **D32/21**

(58) **Field of Classification Search** D32/1,
D32/21, 31, 18; 15/327.1–327.7, 340.2,
15/412, 320–321, 329, 323, 246.2, 353, DIG. 1,
15/247, 347, 344; 417/234; 55/459.1, DIG. 3,
55/345, 337, 429, 460; 95/271; 210/512.1
See application file for complete search history.

(56) **References Cited**

U.S. PATENT DOCUMENTS

- D297,675 S * 9/1988 Umehara et al. D32/21
- D391,700 S * 3/1998 Hughes D32/21
- D398,093 S * 9/1998 Fujima D32/21
- D417,323 S * 11/1999 Fujita et al. D32/21
- D493,585 S * 7/2004 Choi D32/21

- D503,250 S * 3/2005 Choi D32/21
- D530,470 S * 10/2006 Ikeno et al. D32/21

* cited by examiner

Primary Examiner—Ruth McInroy

(74) *Attorney, Agent, or Firm*—Ladas and Parry LLP

(57) **CLAIM**

We claim the ornamental design for a vacuum cleaner, as shown and described.

DESCRIPTION

FIG. 1 is a top, front and right-side perspective view of a vacuum cleaner showing our new design;

FIG. 2 is a front elevational view thereof;

FIG. 3 is a rear elevational view thereof;

FIG. 4 is a left-side elevational view thereof;

FIG. 5 is a right-side elevational view thereof;

FIG. 6 is a top plan view thereof;

FIG. 7 is a bottom plan view thereof; and,

FIG. 8 is a top, front and right-side perspective view thereof, the details shown in broken lines form no part of the claimed design.

The broken lines of the present design in FIG. 8 are for illustrative purpose only and no part of the claimed design.

1 Claim, 5 Drawing Sheets

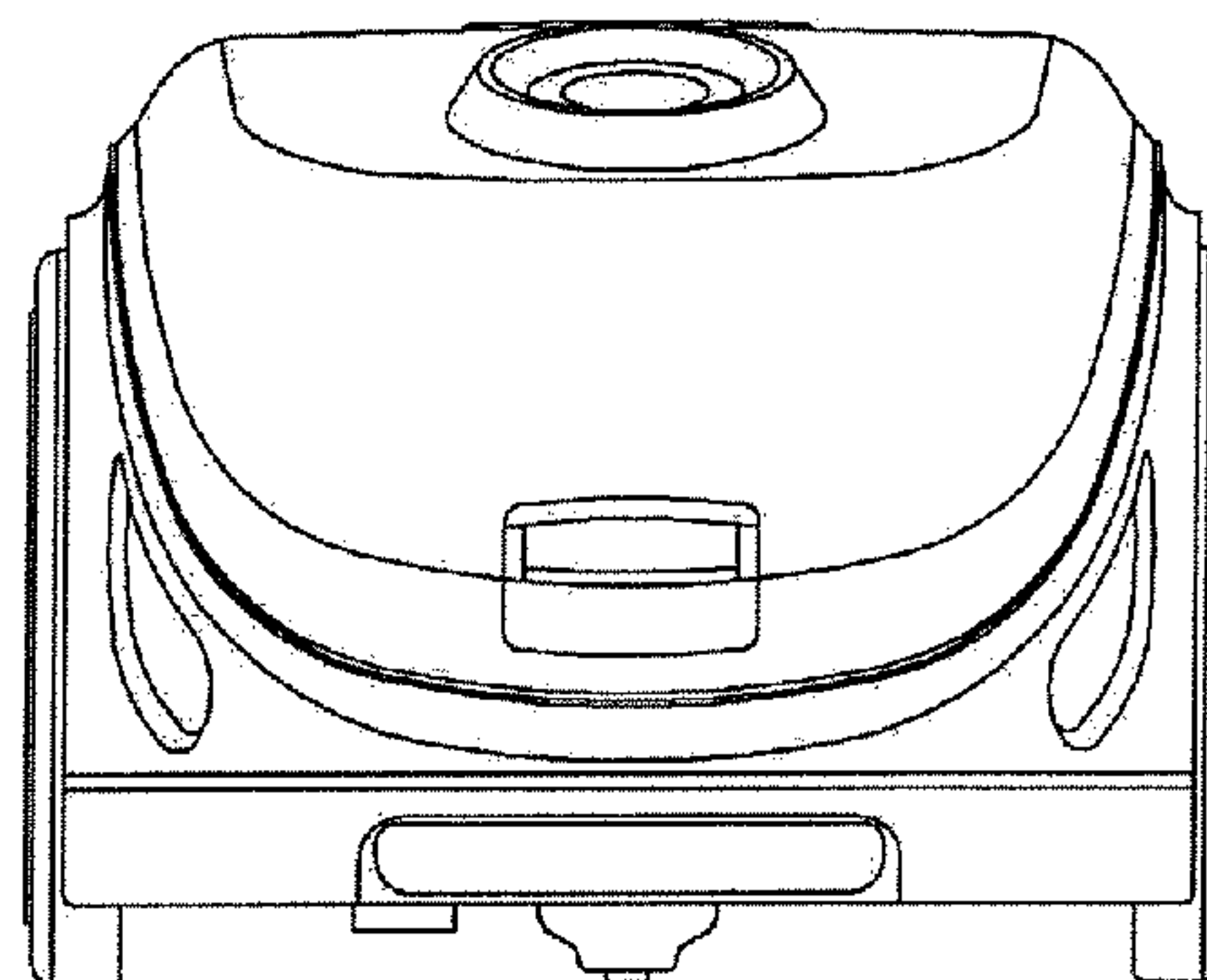
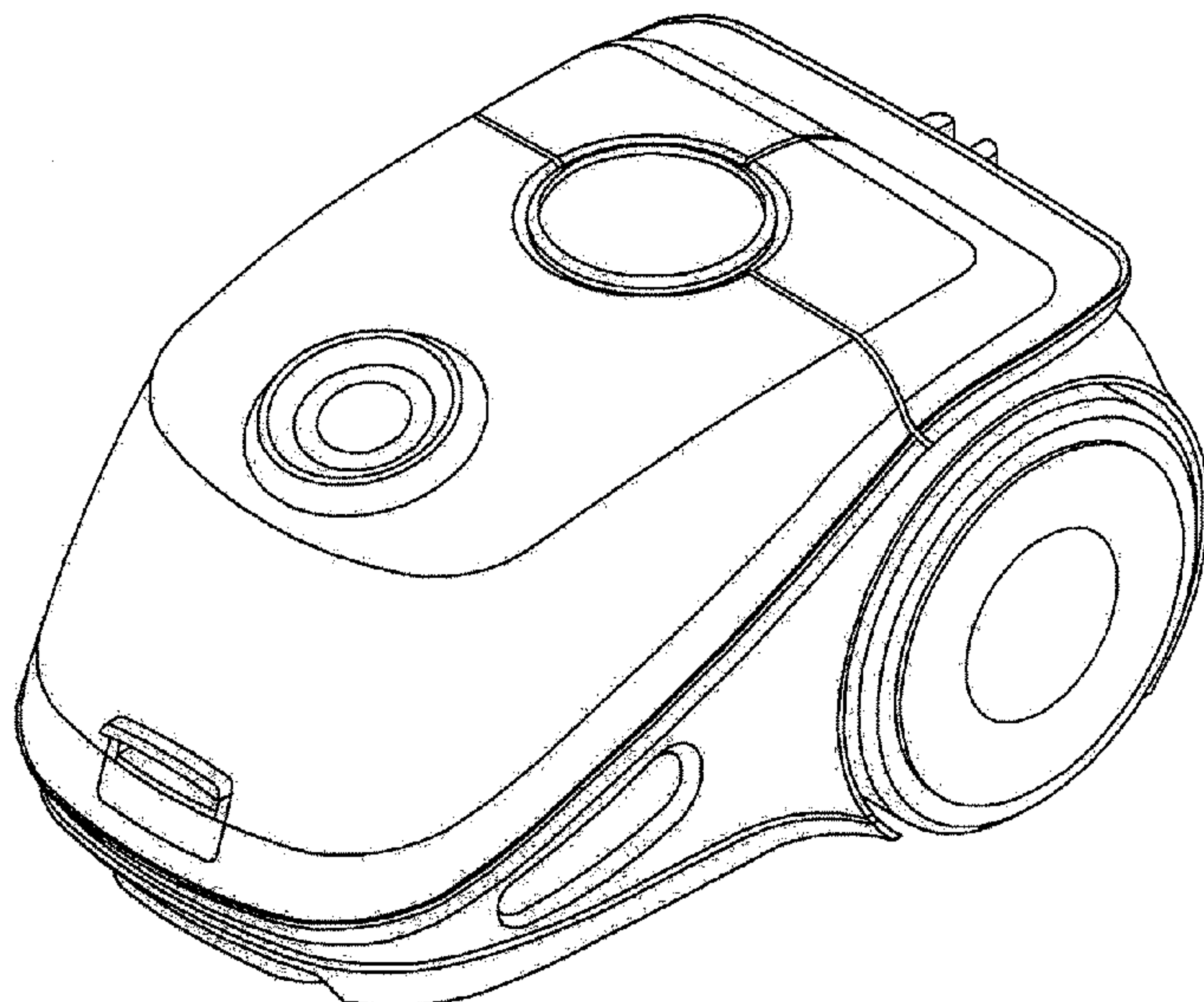


FIG. 1

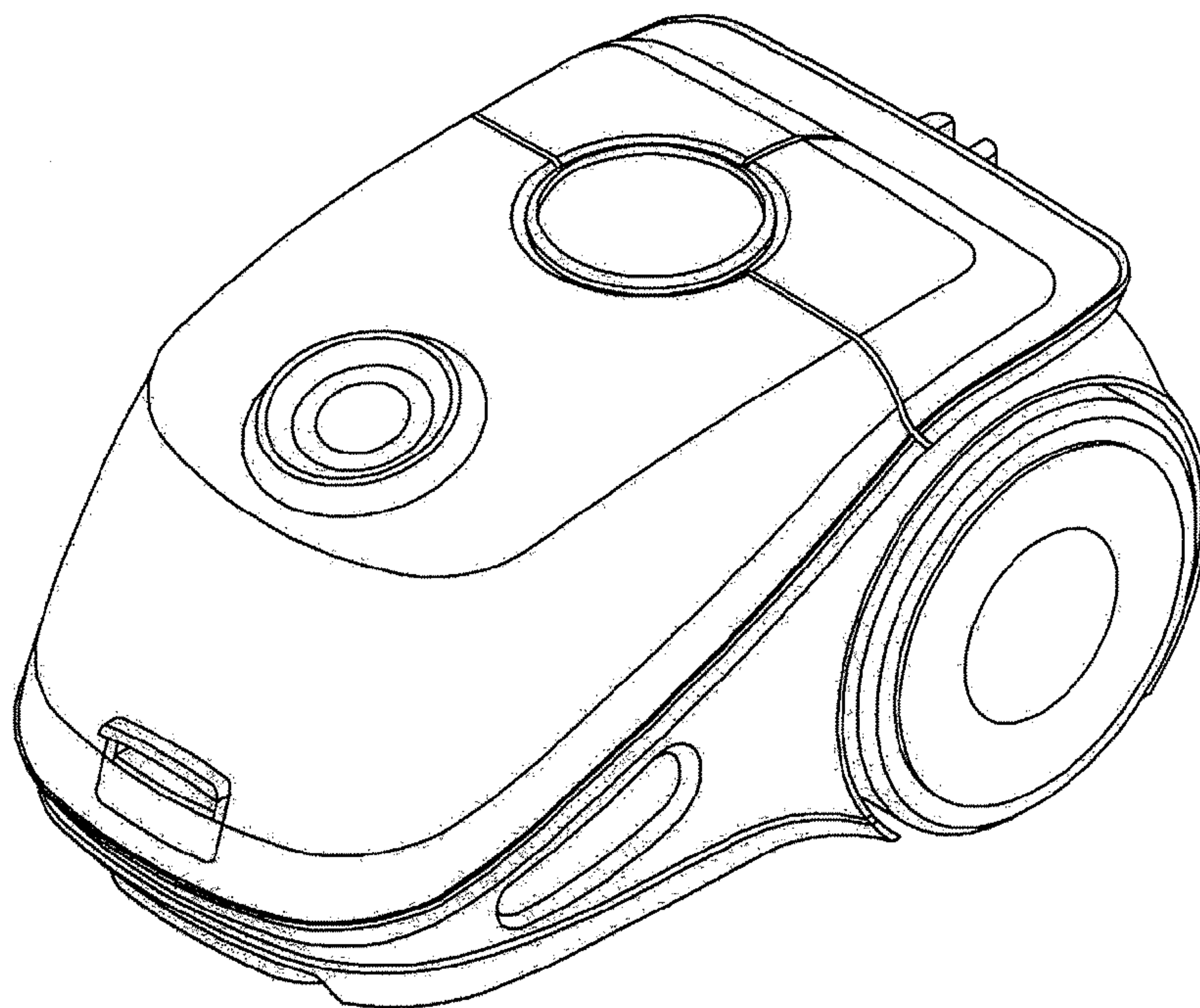


FIG. 2

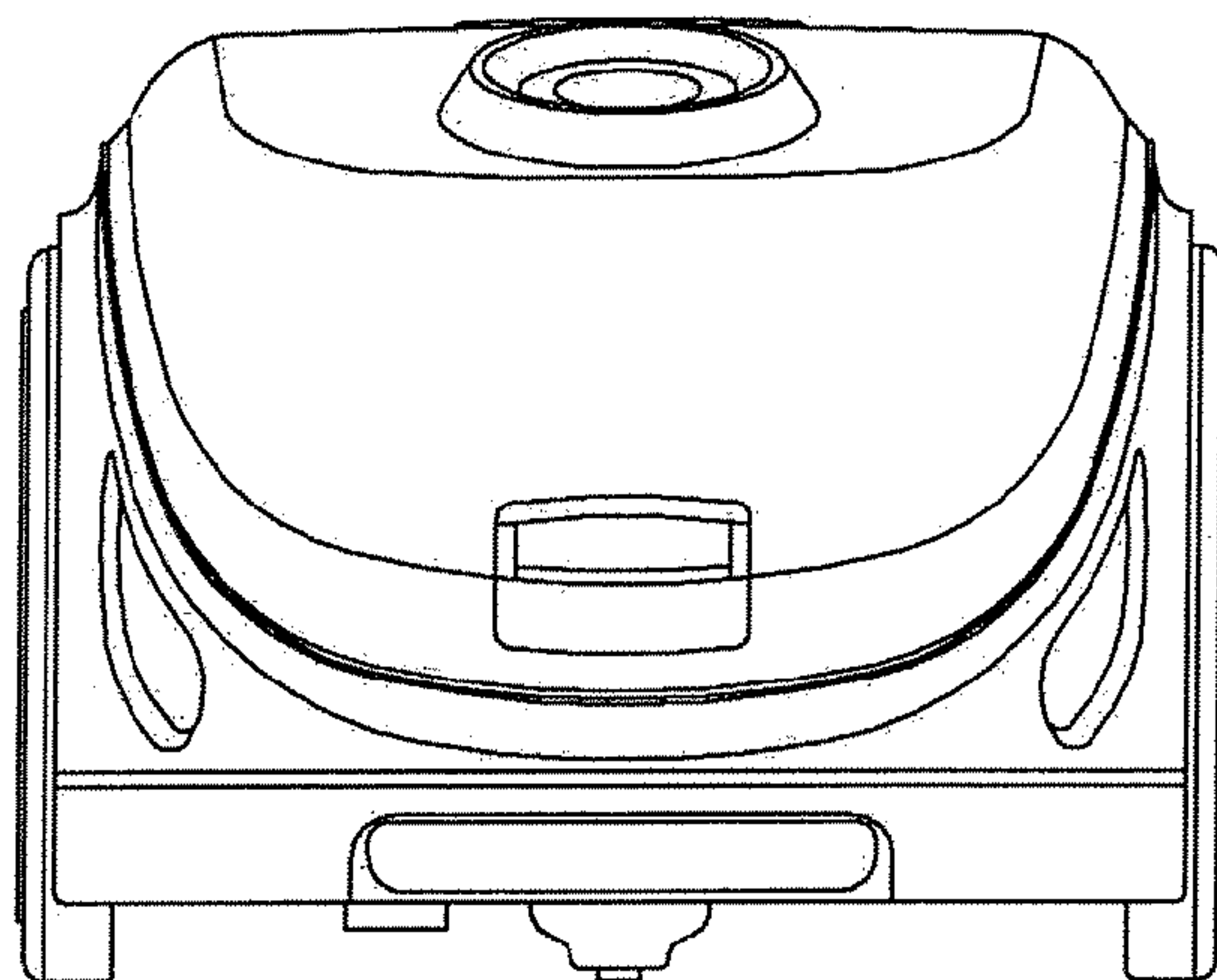


FIG. 3

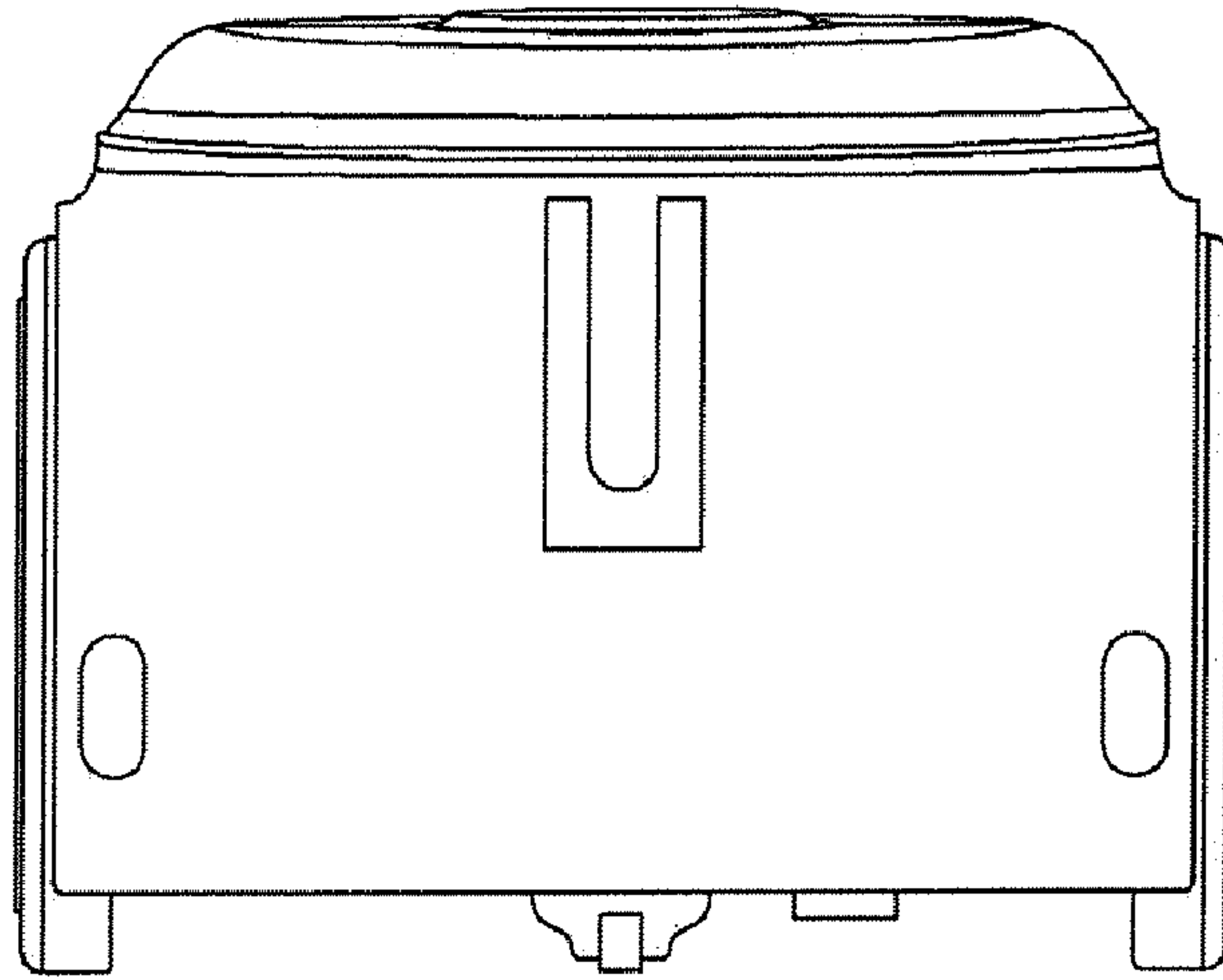


FIG. 4

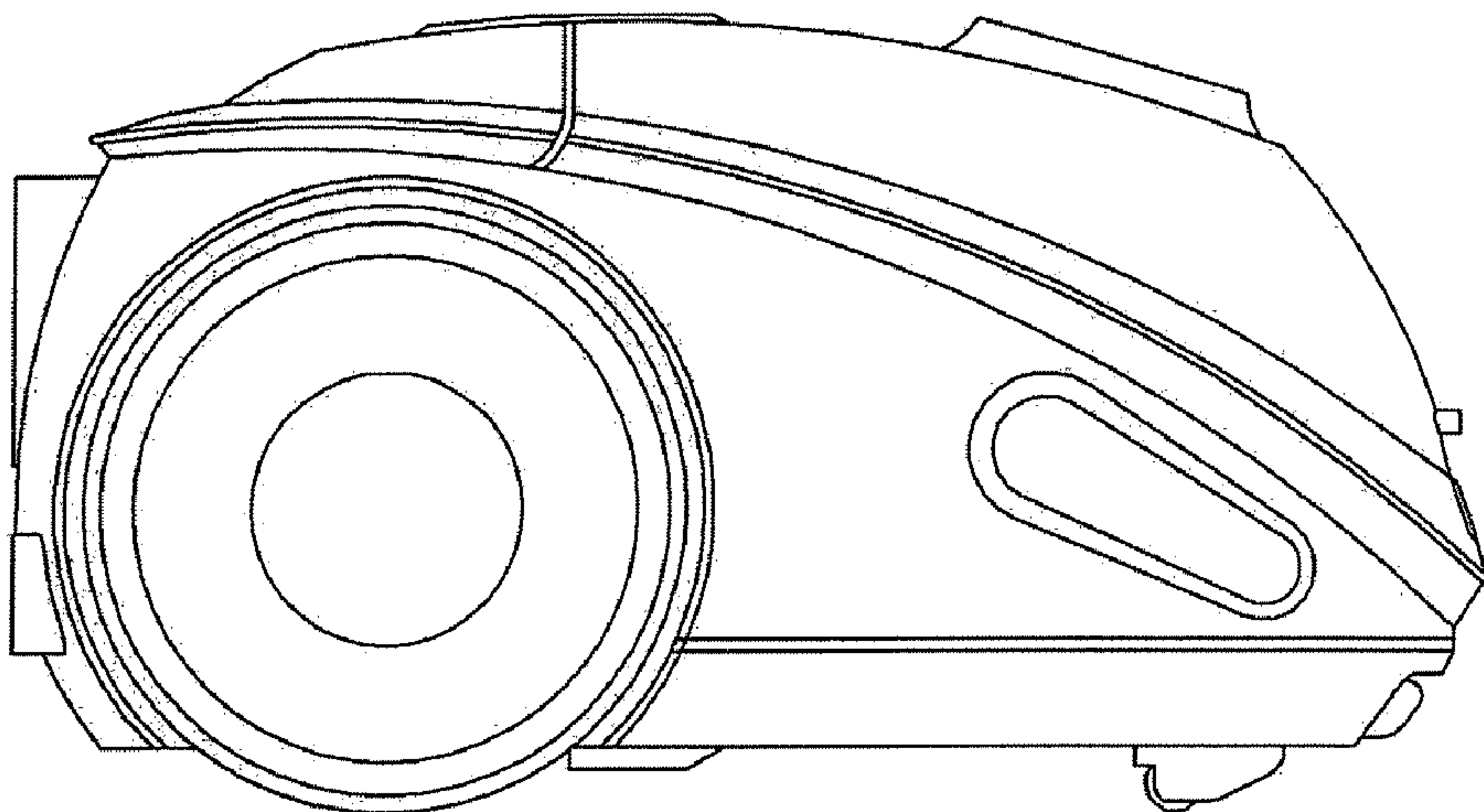


FIG. 5

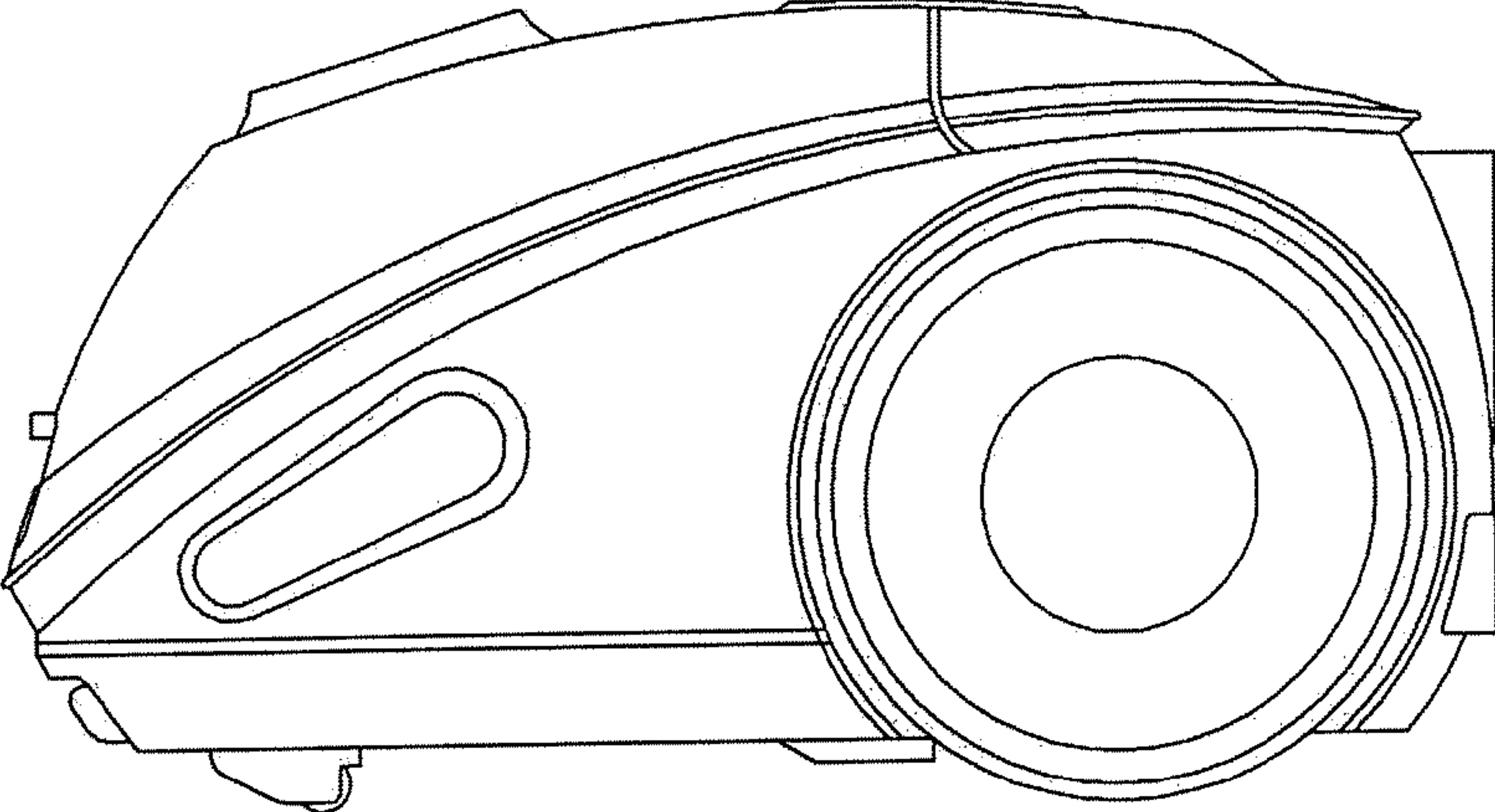


FIG. 6

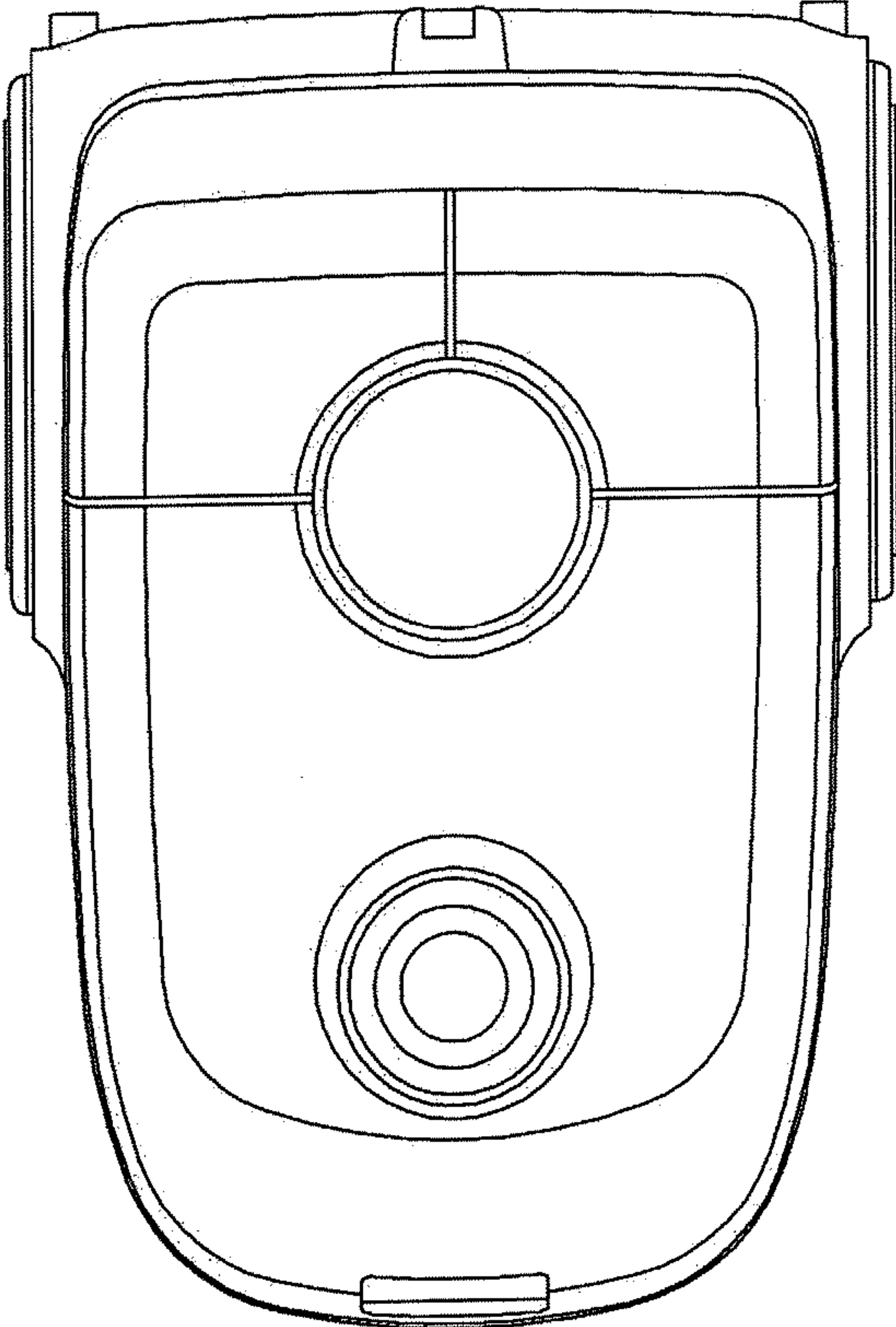


FIG. 7

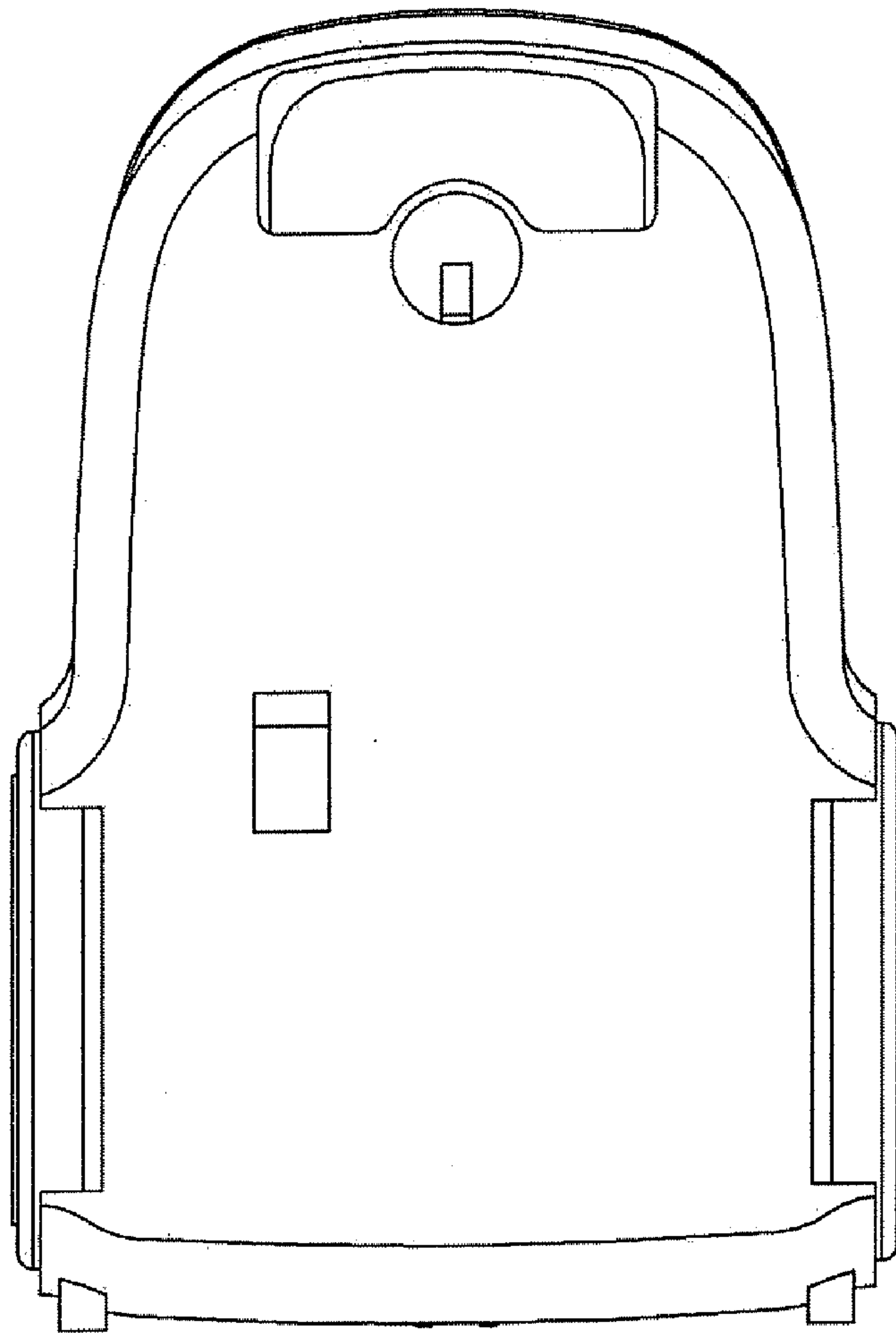


FIG. 8

