



US00D601314S

(12) **United States Design Patent**
Catron

(10) **Patent No.:** **US D601,314 S**

(45) **Date of Patent:** **** Sep. 29, 2009**

(54) **VACUUM**

(75) **Inventor:** **Mark Allen Catron**, Winchester, VA
(US)

(73) **Assignee:** **Rubbermaid Commercial Products LLC**, Winchester, VA (US)

(**) **Term:** **14 Years**

(21) **Appl. No.:** **29/306,694**

(22) **Filed:** **Apr. 14, 2008**

(51) **LOC (9) Cl.** **15-05**

(52) **U.S. Cl.** **D32/21**

(58) **Field of Classification Search** D32/1,
D32/21, 31; 15/327.1–327.7, 340.2, 412,
15/320–321, 329, 323, 246.2, 353, 344; 417/234;
55/459.1, DIG. 3, 345, 337, 429, 460; 95/271;
210/512.1

See application file for complete search history.

(56) **References Cited**

U.S. PATENT DOCUMENTS

D398,426 S *	9/1998	Bisson	D32/21
D446,365 S *	8/2001	Bisson	D32/21
D459,039 S *	6/2002	Bisson	D32/21
D521,695 S *	5/2006	Jacobs et al.	D32/21
D537,583 S *	2/2007	Crevling et al.	D32/21
7,287,300 B2 *	10/2007	Rupp et al.	15/327.6
D572,420 S *	7/2008	Genoa et al.	D32/21
D581,113 S *	11/2008	Hoshino et al.	D32/21
7,509,706 B2 *	3/2009	Clarke	15/327.5
2006/0005346 A1 *	1/2006	Rupp et al.	15/327.5
2007/0044270 A1 *	3/2007	Crevling et al.	15/327.5

* cited by examiner

Primary Examiner—Ruth McInroy

(74) *Attorney, Agent, or Firm*—Foley & Lardner LLP

(57) **CLAIM**

I claim the ornamental design for a vacuum, as shown and described.

DESCRIPTION

FIG. 1 is a top front perspective view of a first embodiment of a vacuum according to my new design;

FIG. 2 is a front view of the vacuum shown in FIG. 1;

FIG. 3 is a rear view of the vacuum shown in FIG. 1;

FIG. 4 is a right side view of the vacuum shown in FIG. 1;

FIG. 5 is a left side view of the vacuum shown in FIG. 1;

FIG. 6 is a top view of the vacuum shown in FIG. 1;

FIG. 7 is a bottom view of the vacuum shown in FIG. 1;

FIG. 8 is a top front perspective view of a second embodiment of a vacuum according to my new design;

FIG. 9 is a front view of the vacuum shown in FIG. 8;

FIG. 10 is a rear view of the vacuum shown in FIG. 8;

FIG. 11 is a right side view of the vacuum shown in FIG. 8;

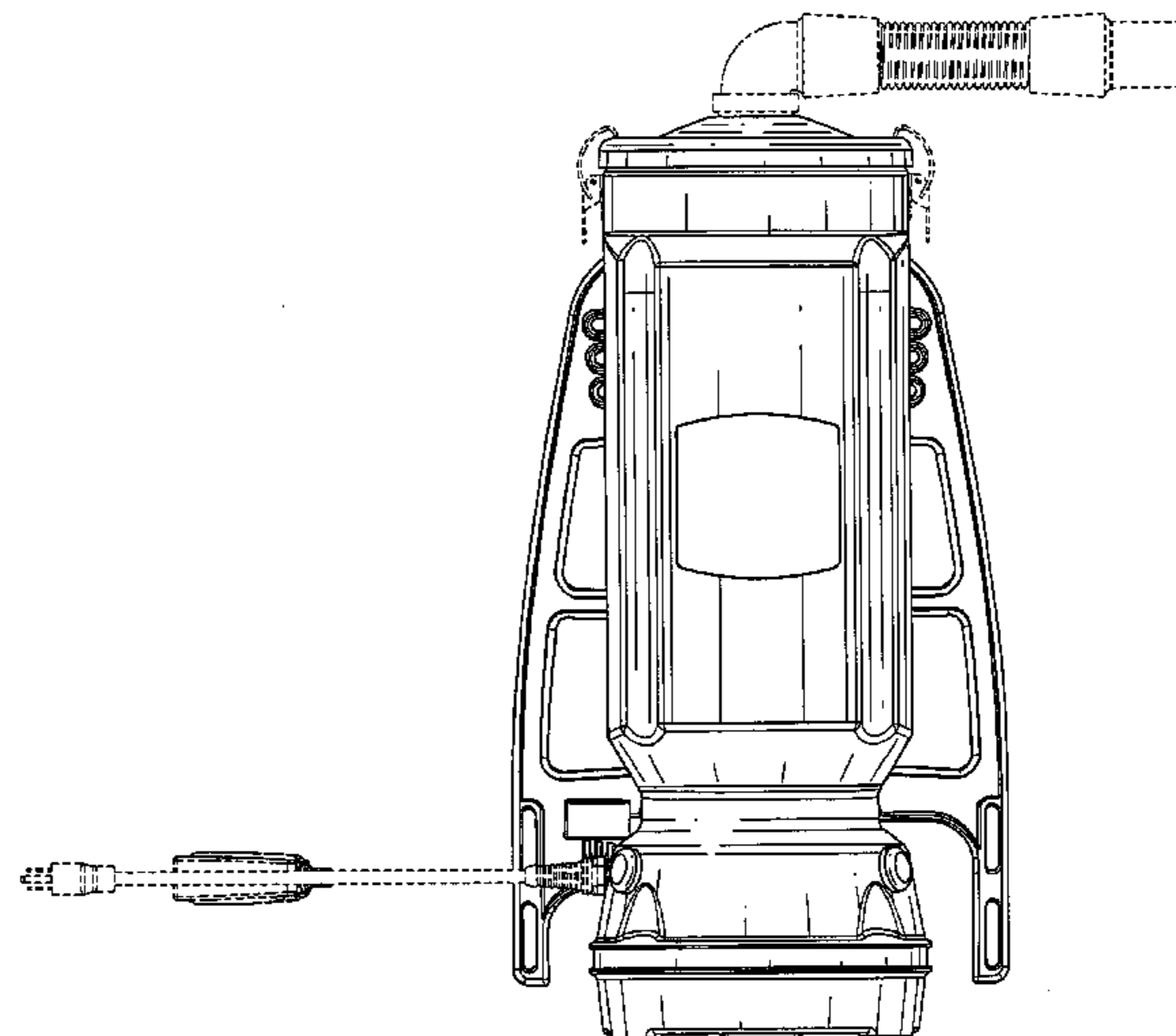
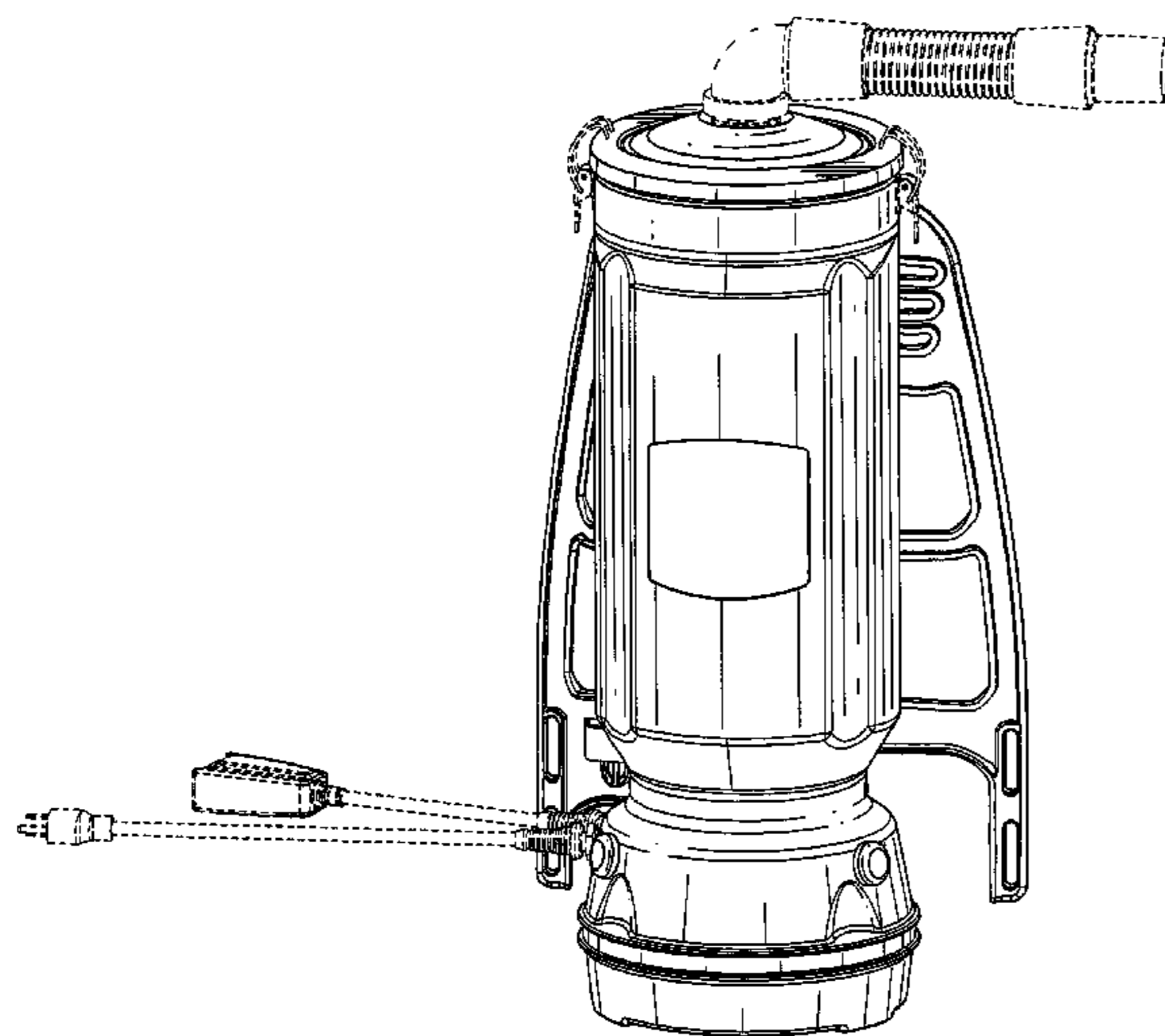
FIG. 12 is a left side view of the vacuum shown in FIG. 8;

FIG. 13 is a top view of the vacuum shown in FIG. 8; and,

FIG. 14 is a bottom view of the vacuum shown in FIG. 8.

The ornamental design which is claimed is shown in solid lines in the drawings. The broken lines in the drawings are for illustrative purposes only and form no part of the claimed design.

1 Claim, 14 Drawing Sheets



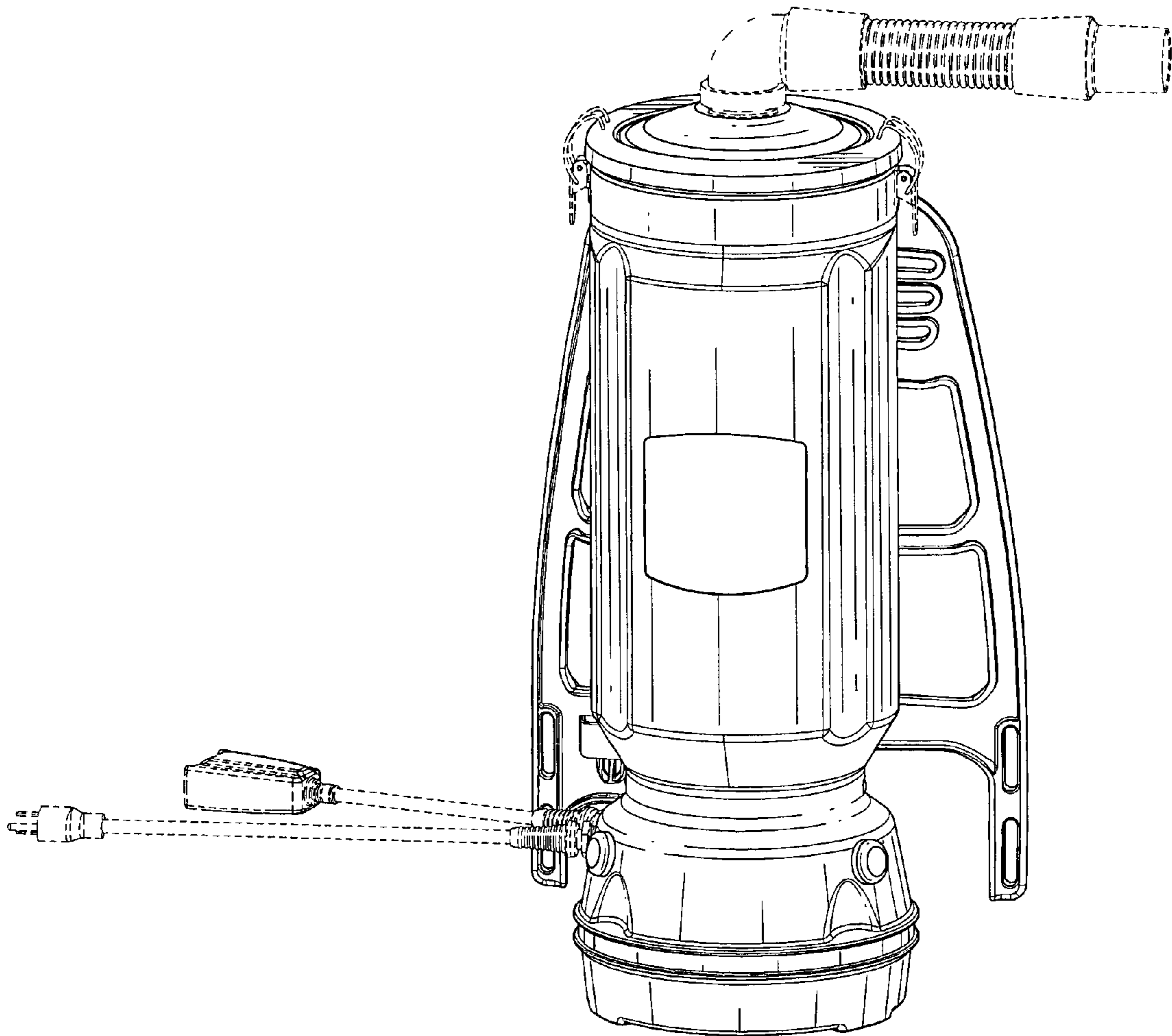


FIG. 1

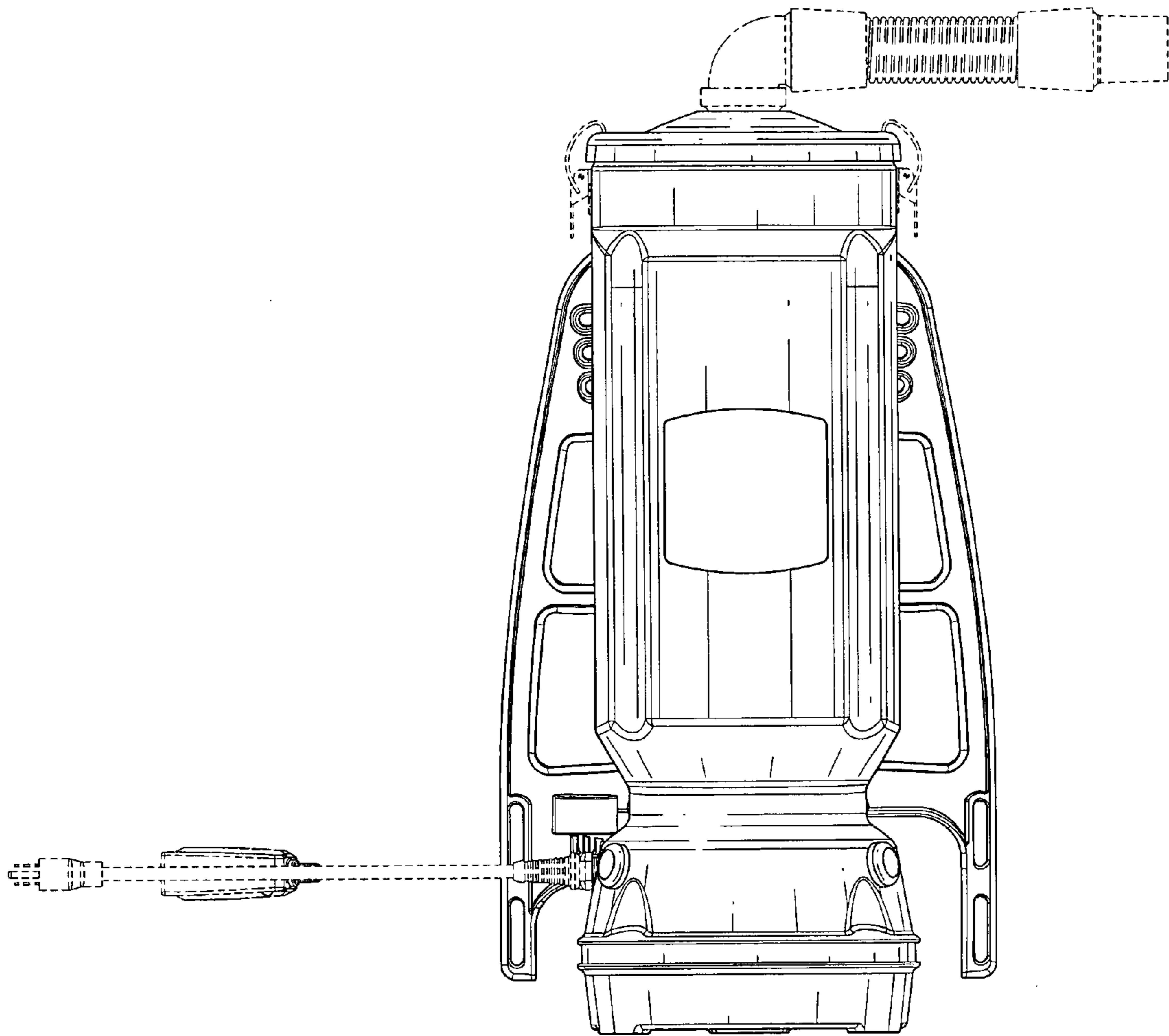


FIG.2

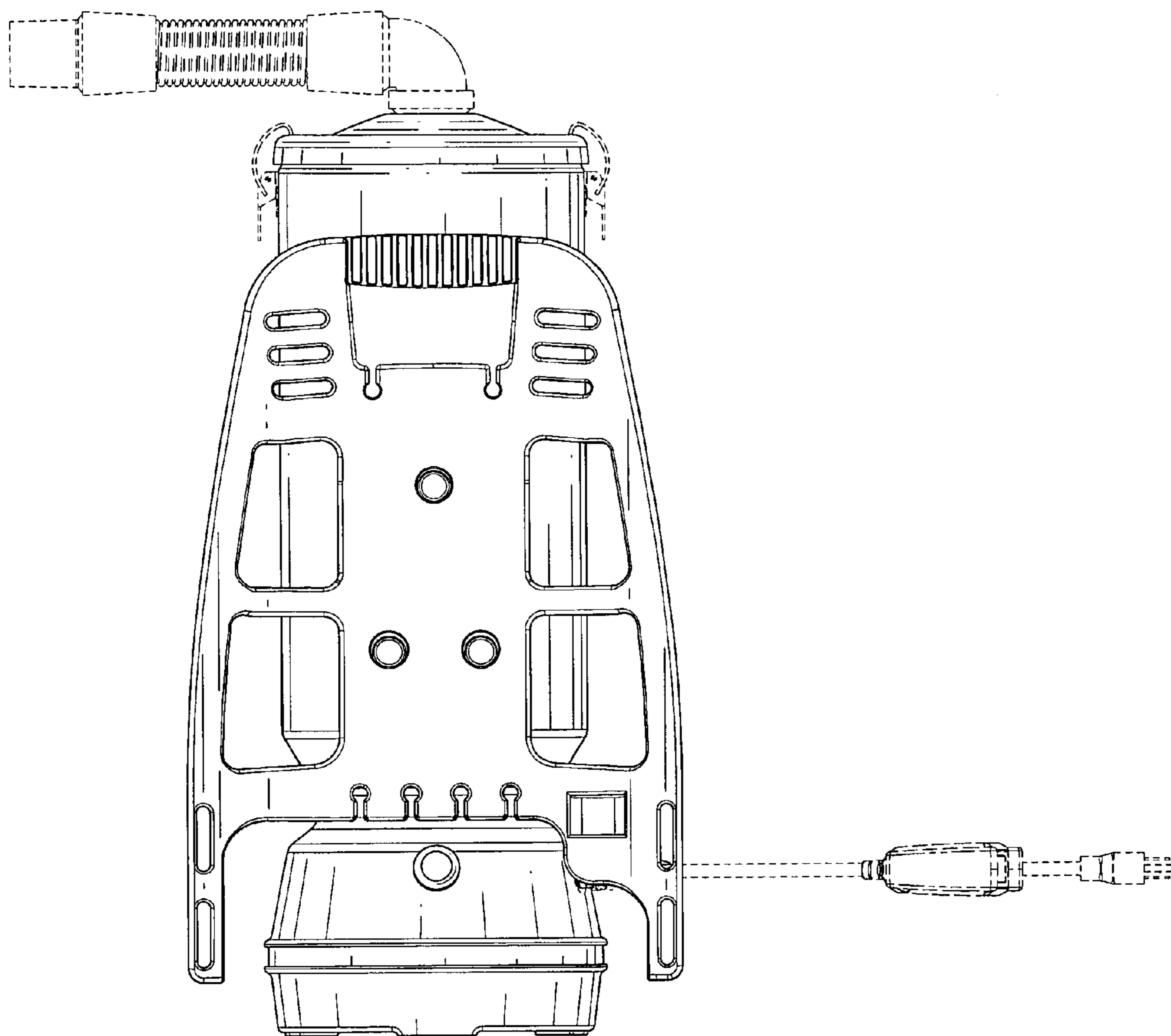


FIG. 3

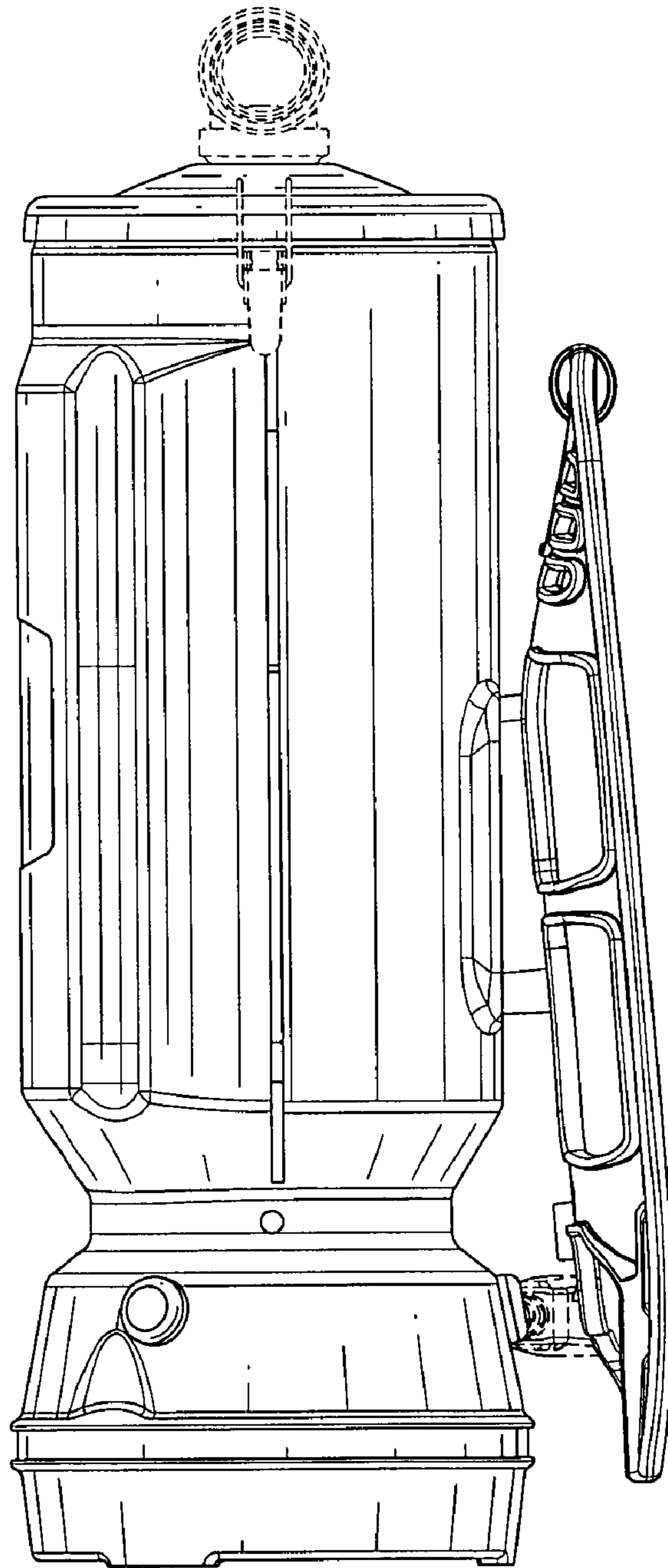


FIG.4

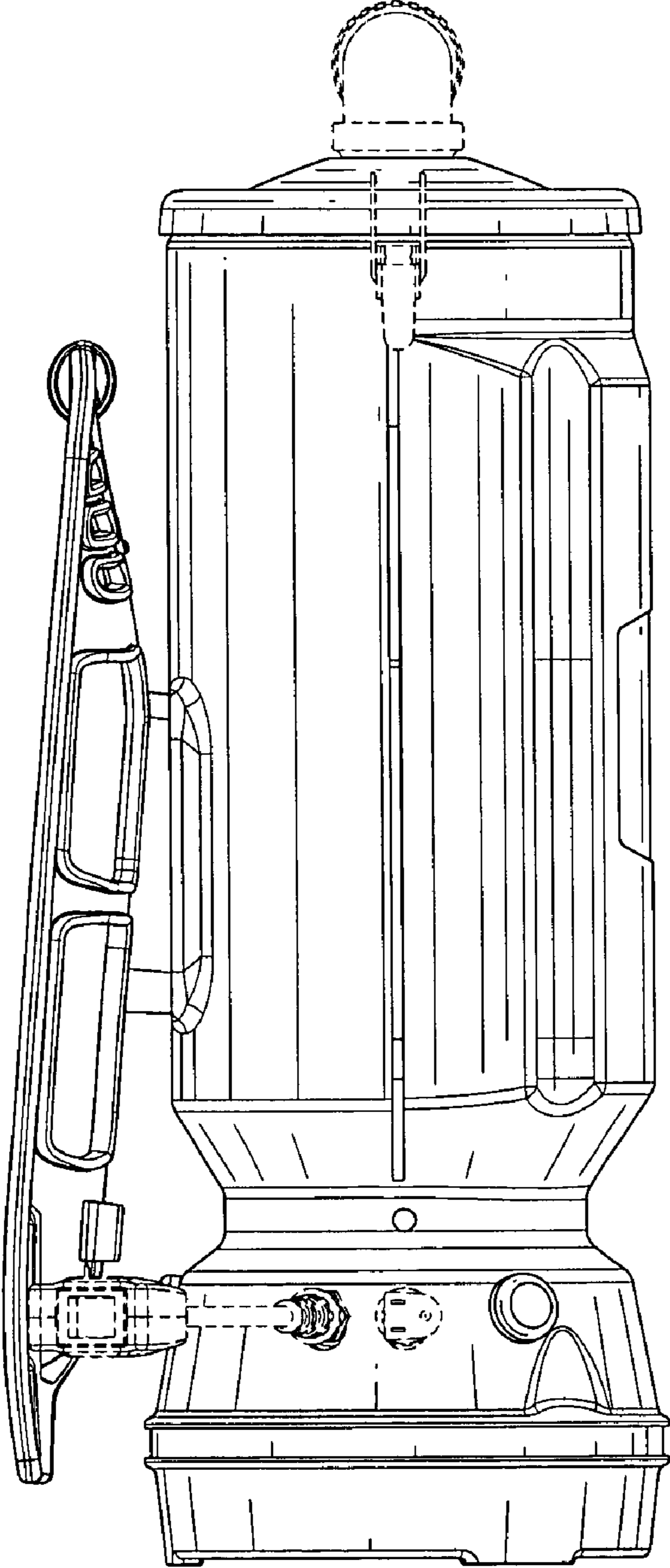


FIG. 5

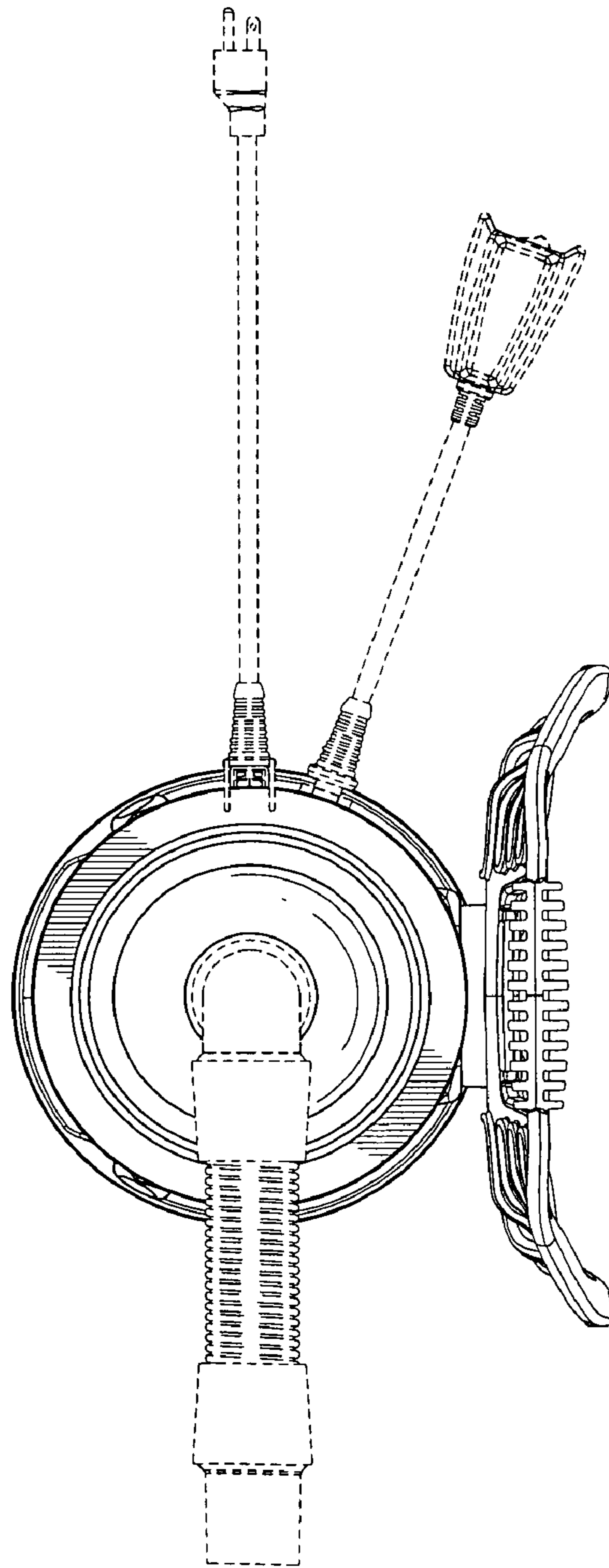


FIG. 6

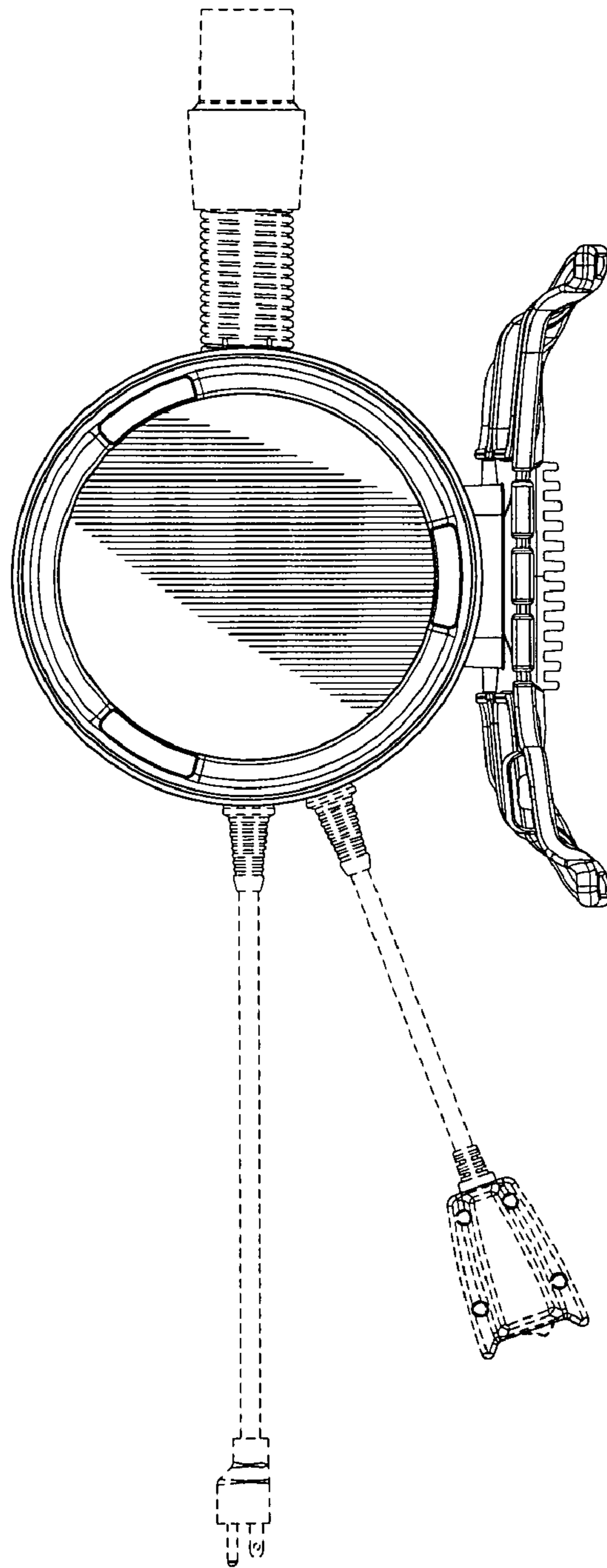


FIG. 7

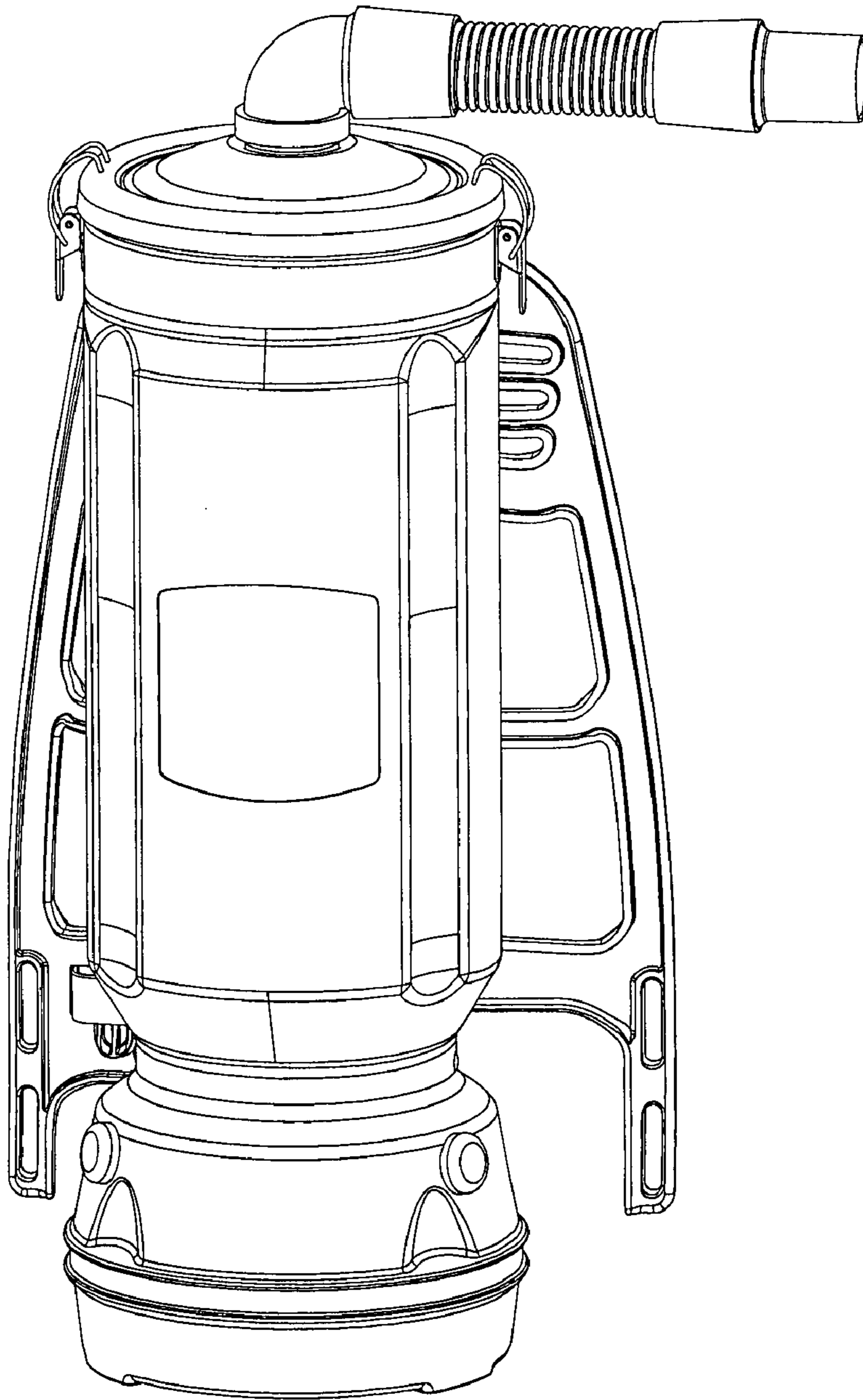


FIG. 8

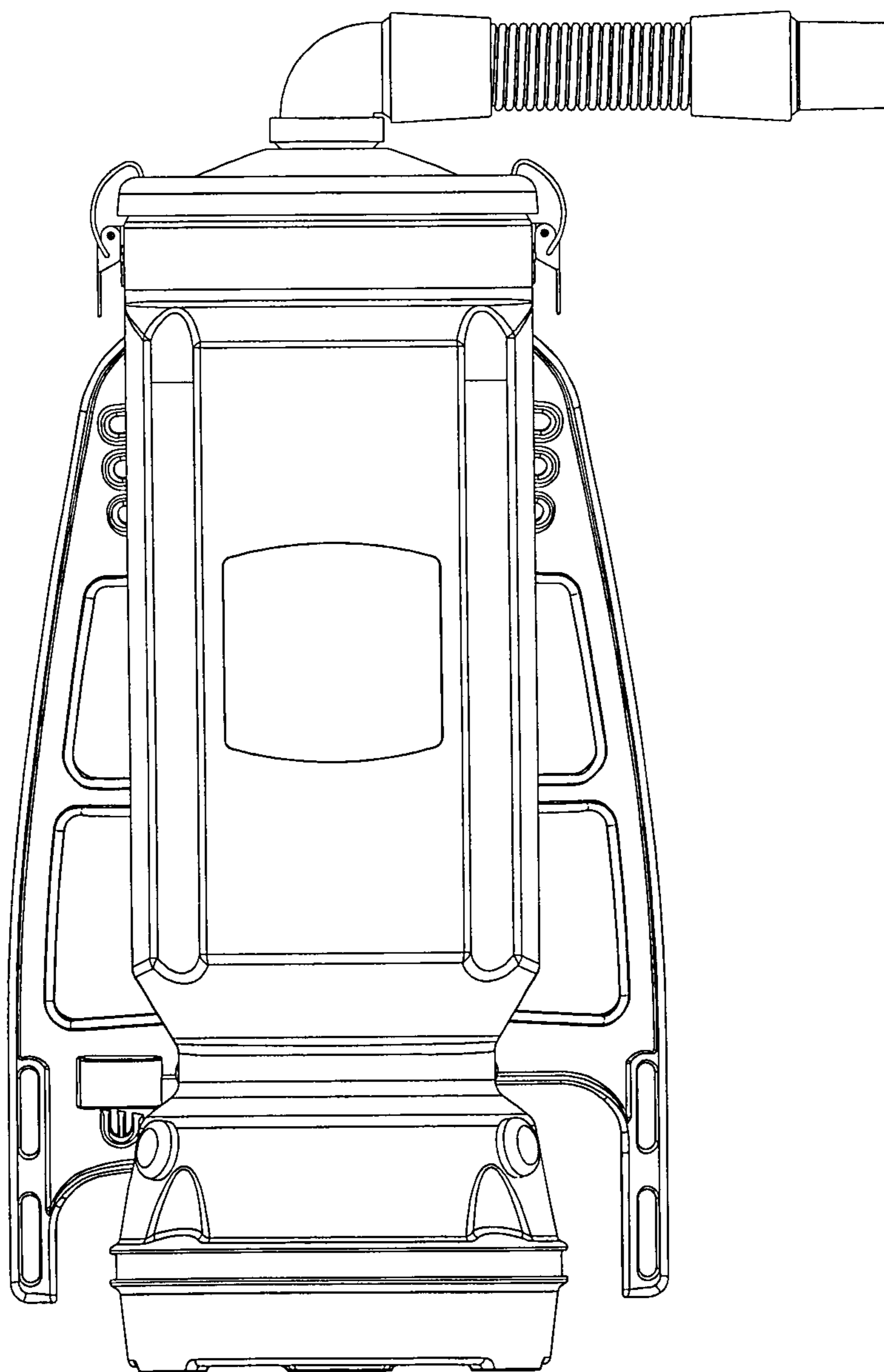


FIG. 9

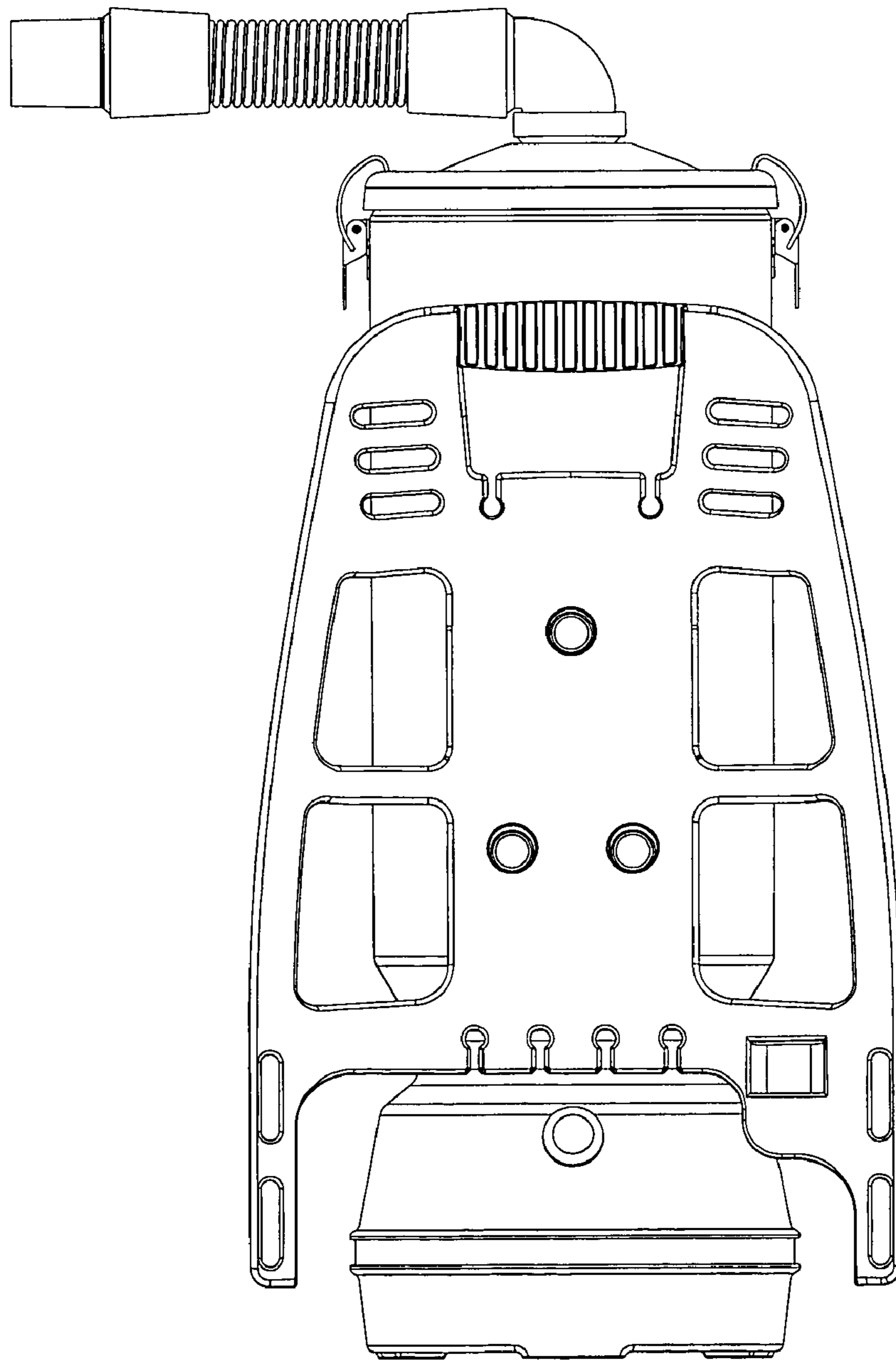


FIG. 10

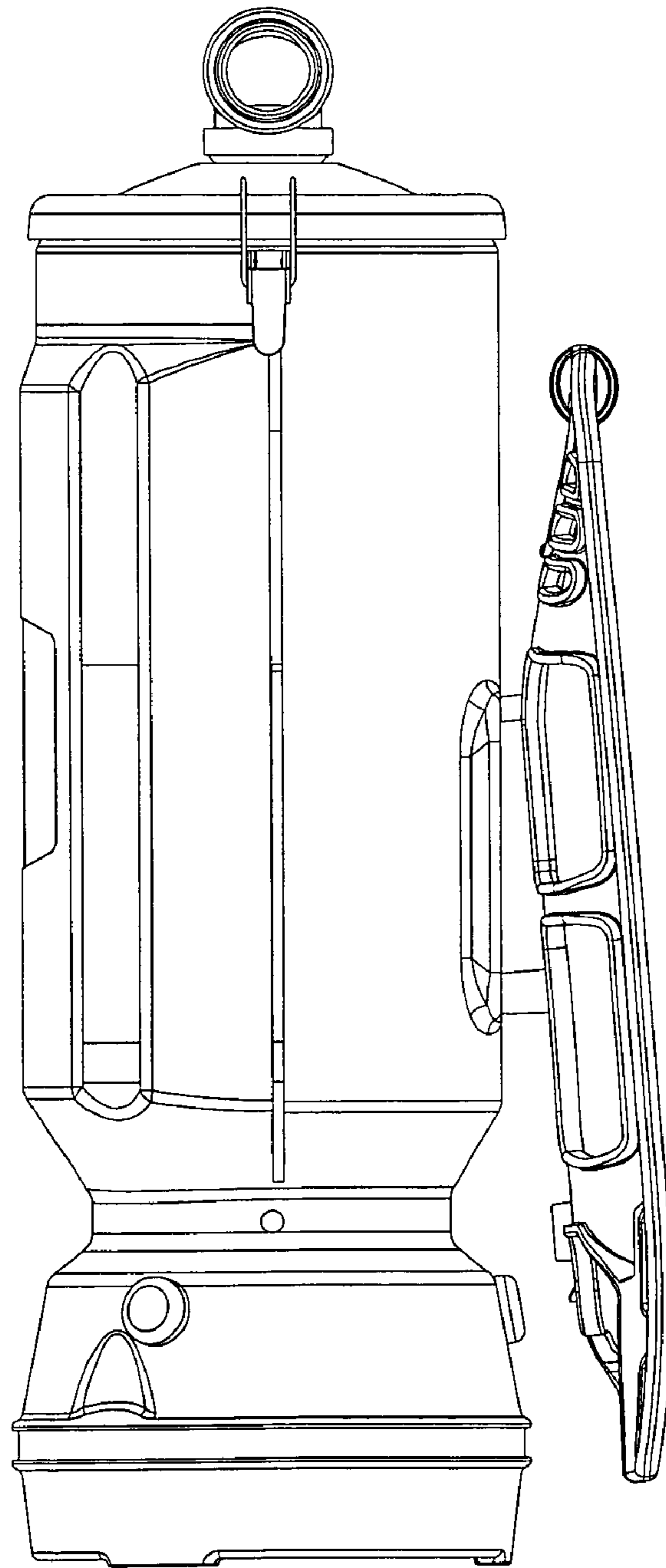


FIG. 11

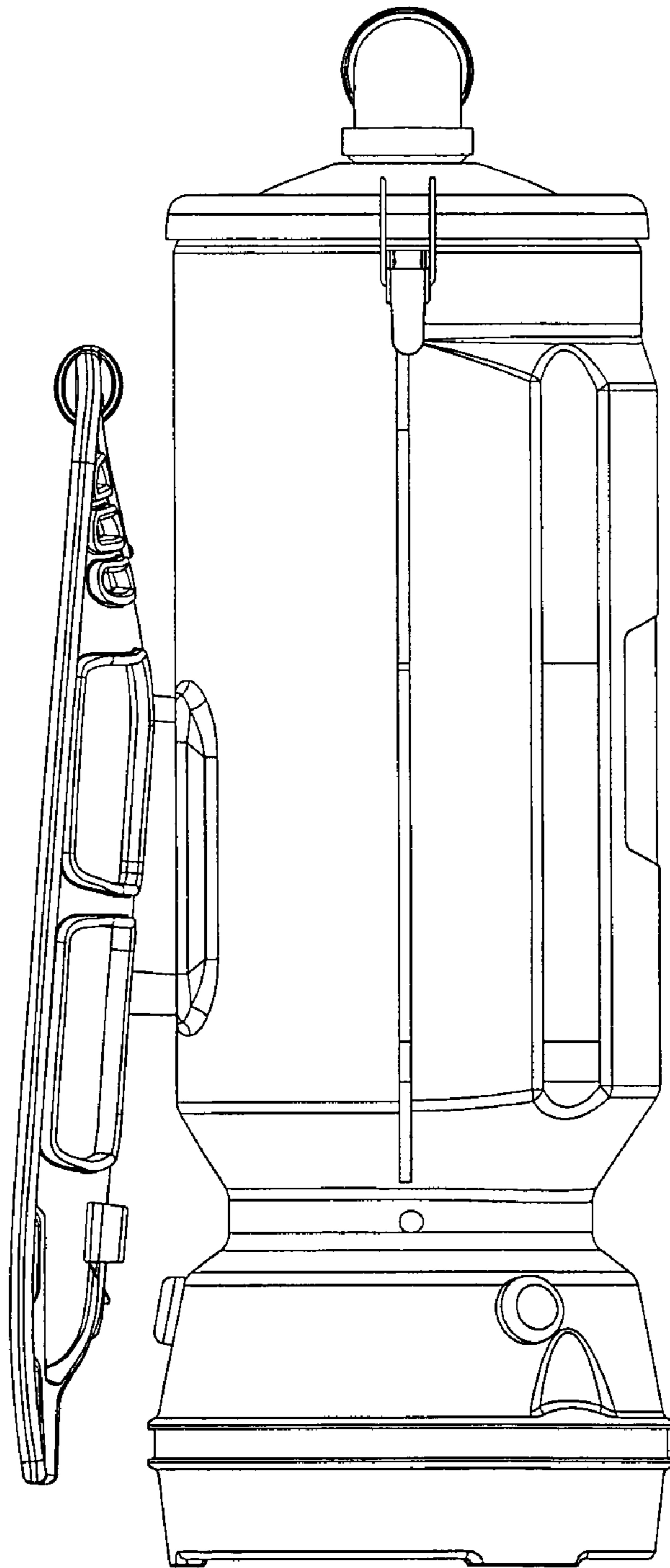


FIG. 12

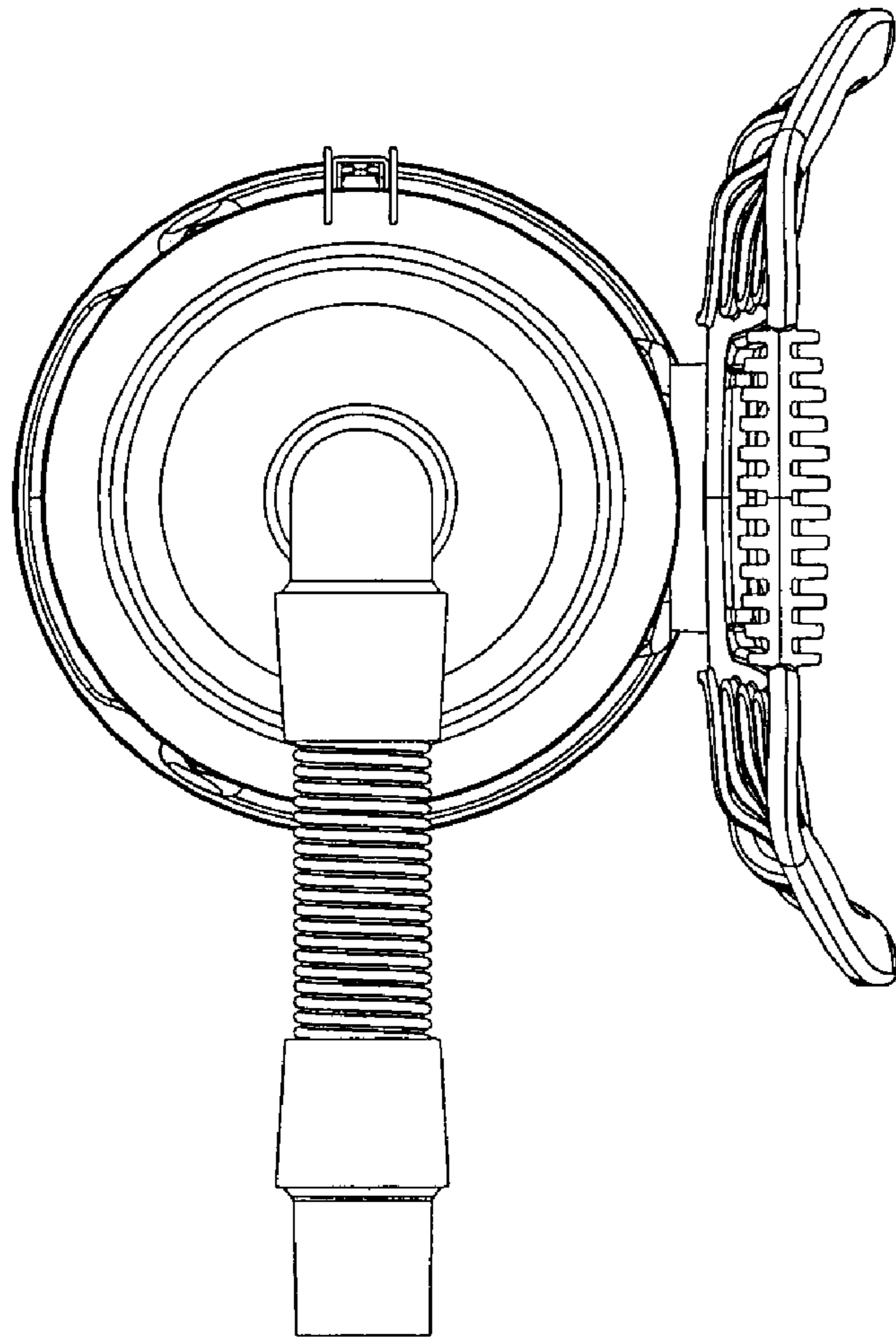


FIG. 13

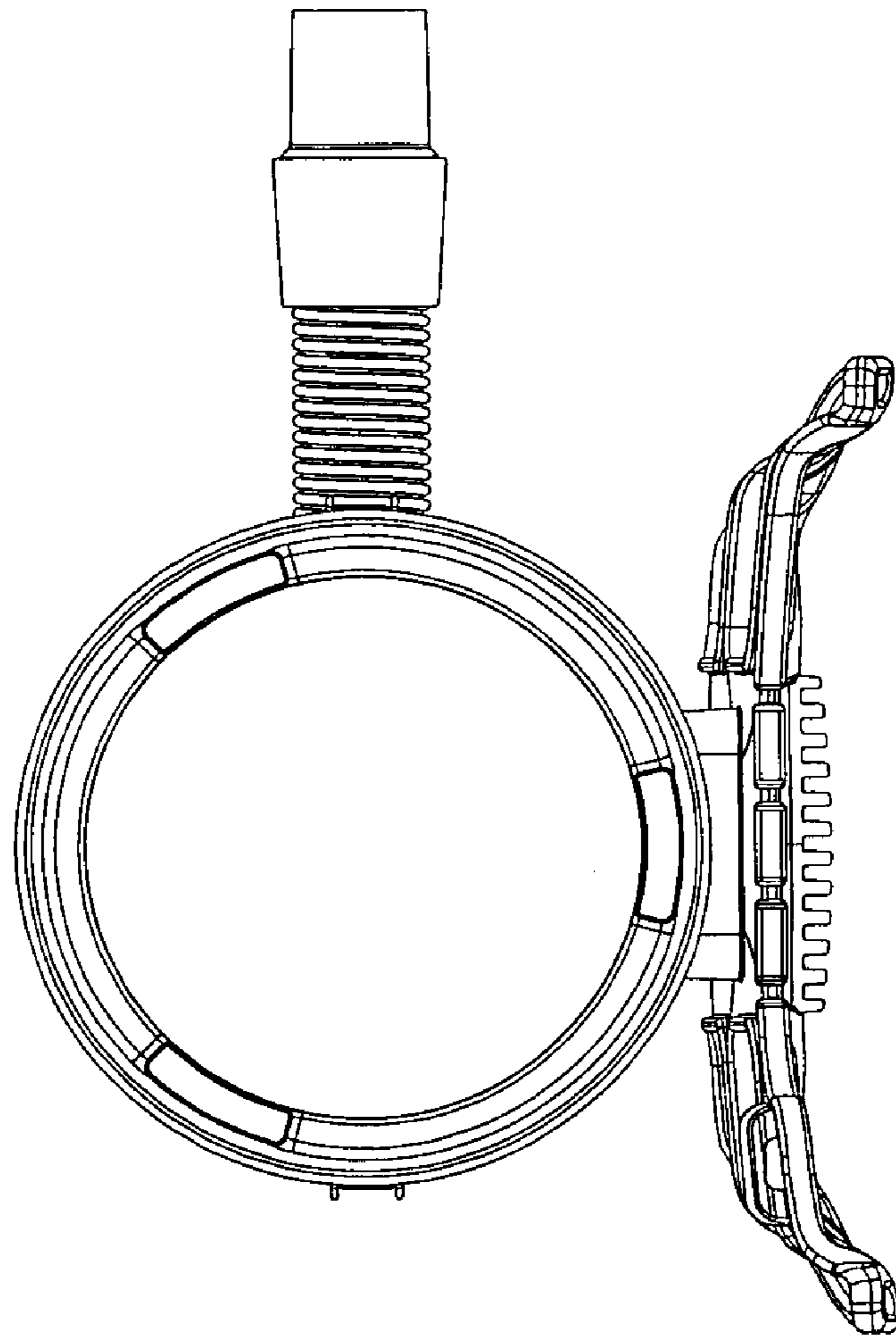


FIG. 14