



US00D601313S

(12) **United States Design Patent**  
**Kim**

(10) **Patent No.:** **US D601,313 S**

(45) **Date of Patent:** **\*\* Sep. 29, 2009**

(54) **LITTER BOX TOP CANOPY**

(76) **Inventor:** **Bumkee Kim**, 642 Shadybrook La., Apt. M102, Corona, CA (US) 92879

(\*\*) **Term:** **14 Years**

(21) **Appl. No.:** **29/299,036**

(22) **Filed:** **Dec. 18, 2007**

(51) **LOC (9) Cl.** ..... **30-99**

(52) **U.S. Cl.** ..... **D30/161**

(58) **Field of Classification Search** ..... D30/108-109, D30/112-113, 117-118, 161; 119/163, 165-170, 119/452, 474, 496-498, 500

See application file for complete search history.

(56) **References Cited**

**U.S. PATENT DOCUMENTS**

4,522,150	A *	6/1985	Gershman	119/165
D286,694	S *	11/1986	O'Rourke	D30/161
5,220,886	A *	6/1993	Hyde	119/165
D361,175	S *	8/1995	VanSkiver	D30/161
D366,543	S *	1/1996	Lopes	D30/161
5,522,347	A *	6/1996	Merino	119/165
5,623,892	A	4/1997	O'Rourke et al.	
D381,136	S *	7/1997	Savicki	D30/161
6,055,935	A *	5/2000	Engel	119/170
6,357,388	B1 *	3/2002	Holtrop et al.	119/161
D473,351	S	4/2003	Critchley	
D491,700	S	6/2004	Abajian	
6,892,670	B2	5/2005	Northrop et al.	
D514,754	S	2/2006	Northrop et al.	

7,051,678	B2 *	5/2006	Strickland et al.	119/165
D528,252	S *	9/2006	Van Skiver et al.	D30/161
2003/0217700	A1 *	11/2003	Northrop et al.	119/166
2005/0183672	A1	8/2005	Lewis, II	
2005/0211179	A1	9/2005	Lewis, II	
2007/0251464	A1 *	11/2007	Chen	119/496

\* cited by examiner

*Primary Examiner*—Cathy Anne MacCormac

(74) *Attorney, Agent, or Firm*—Larson & Larson PA; Frank Liebenow

(57) **CLAIM**

The ornamental design for a litter box top canopy, as shown and described.

**DESCRIPTION**

FIG. 1 is a front elevation view of a litter box top canopy showing my novel design;

FIG. 2 is a rear elevation view thereof;

FIG. 3 is a right side elevation view thereof, of which the left side is a mirror image;

FIG. 4 is a top plan view thereof;

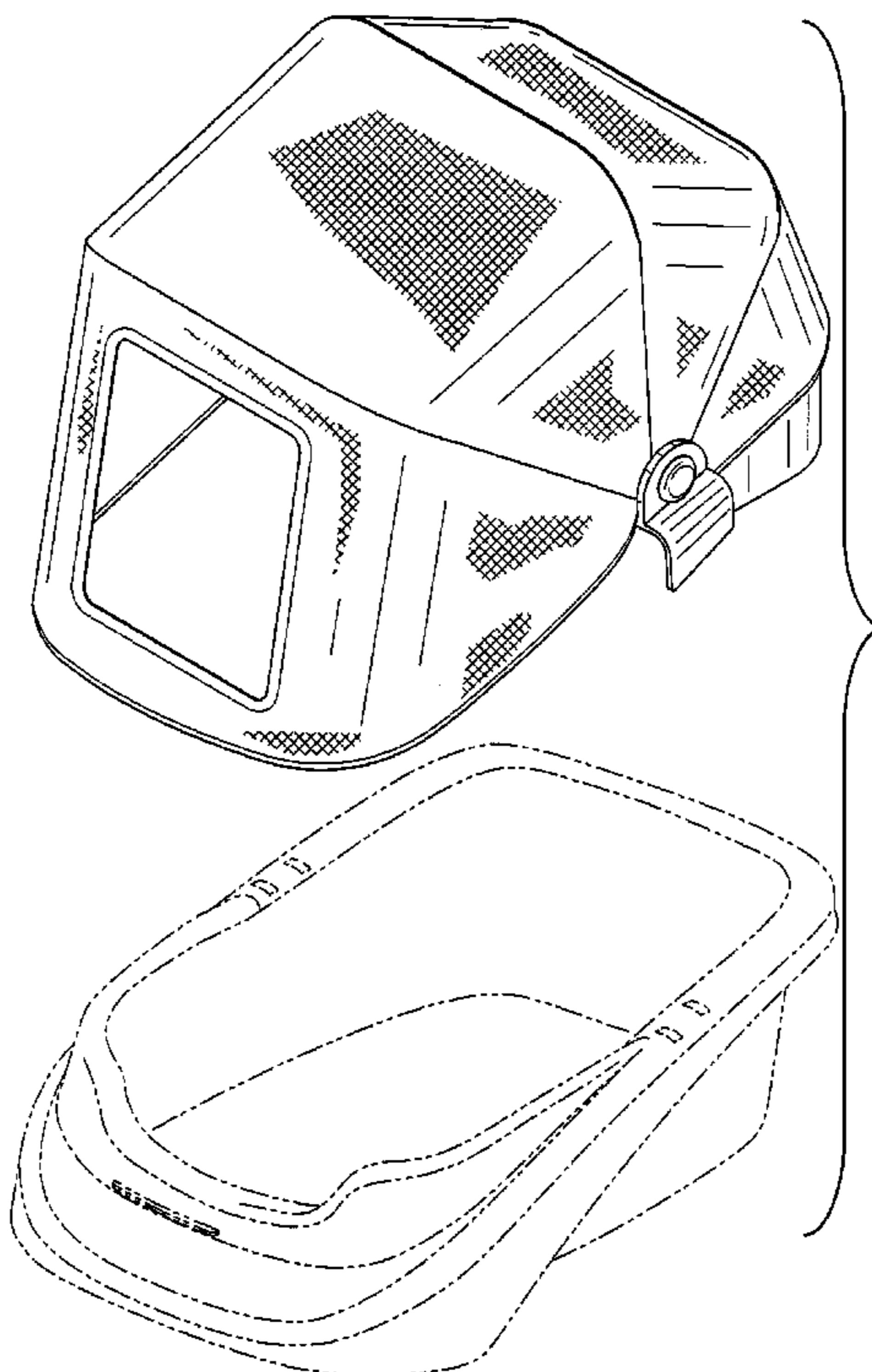
FIG. 5 is a bottom plan view thereof;

FIG. 6 is a perspective view thereof; and,

FIG. 7 is an exploded perspective view of FIG. 6 including an environmental litter box.

The broken lines on FIG. 7 are for illustrative purposes only and are not part of the claimed design.

**1 Claim, 5 Drawing Sheets**



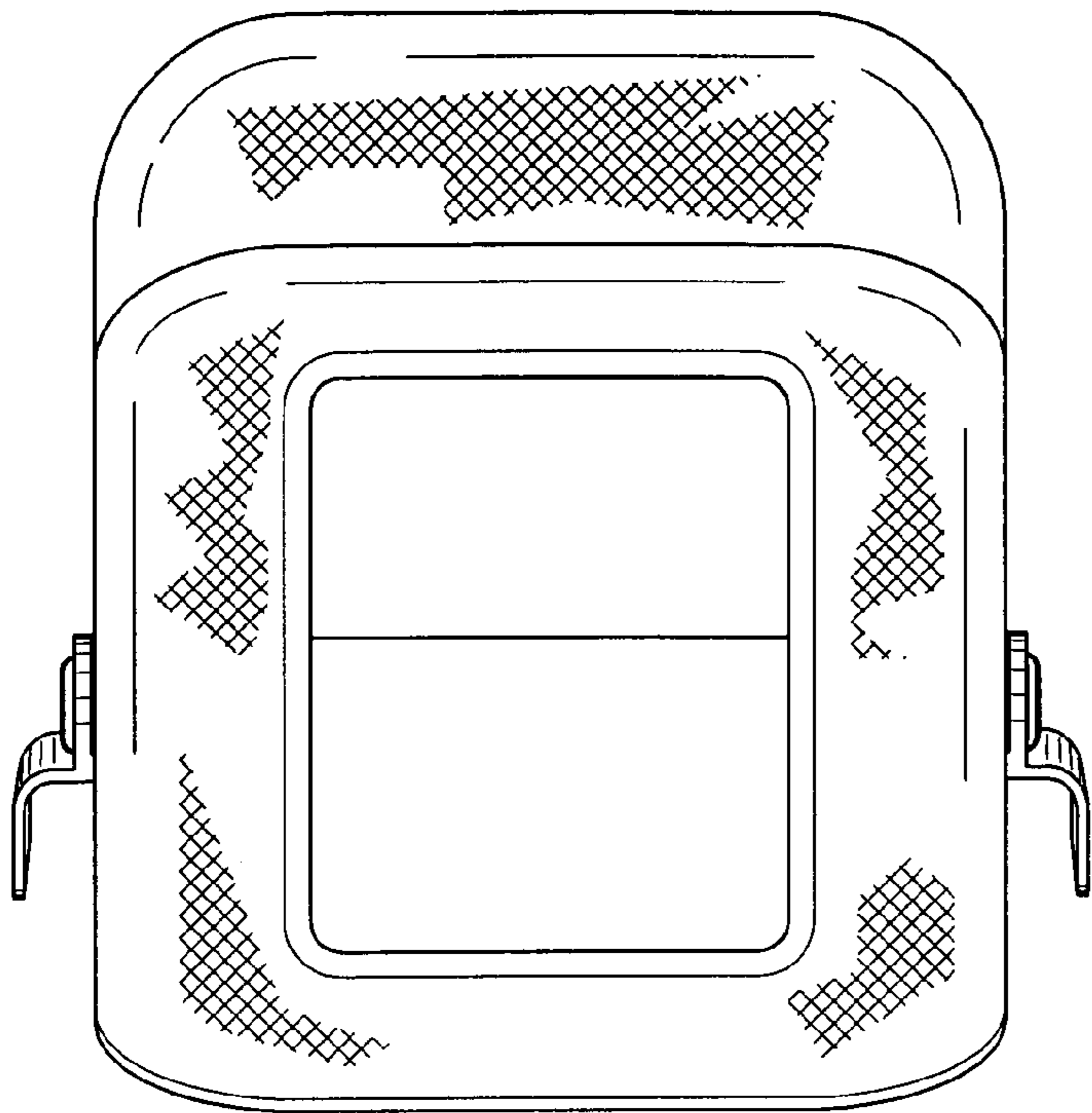


FIG. 1

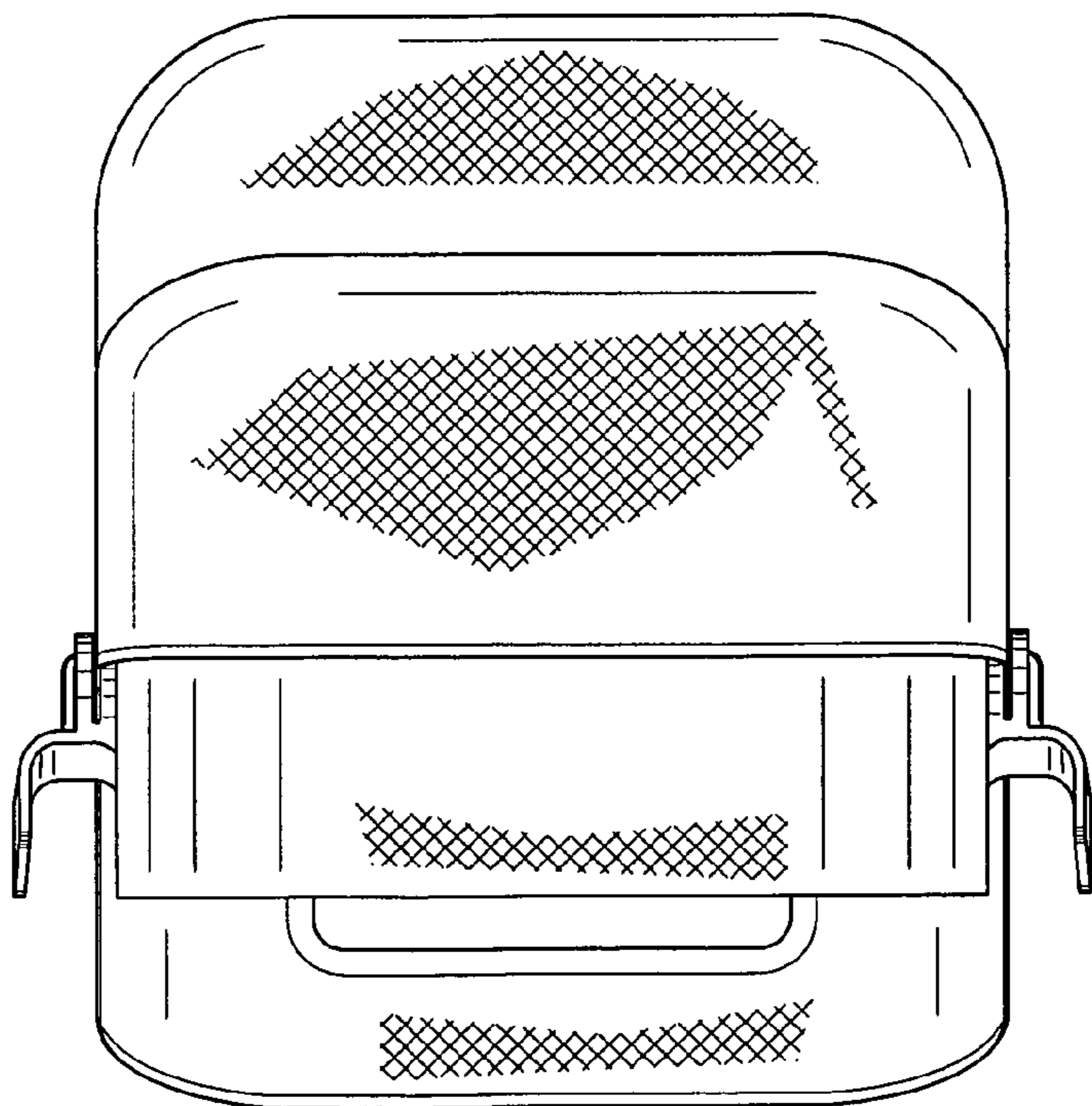


FIG. 2

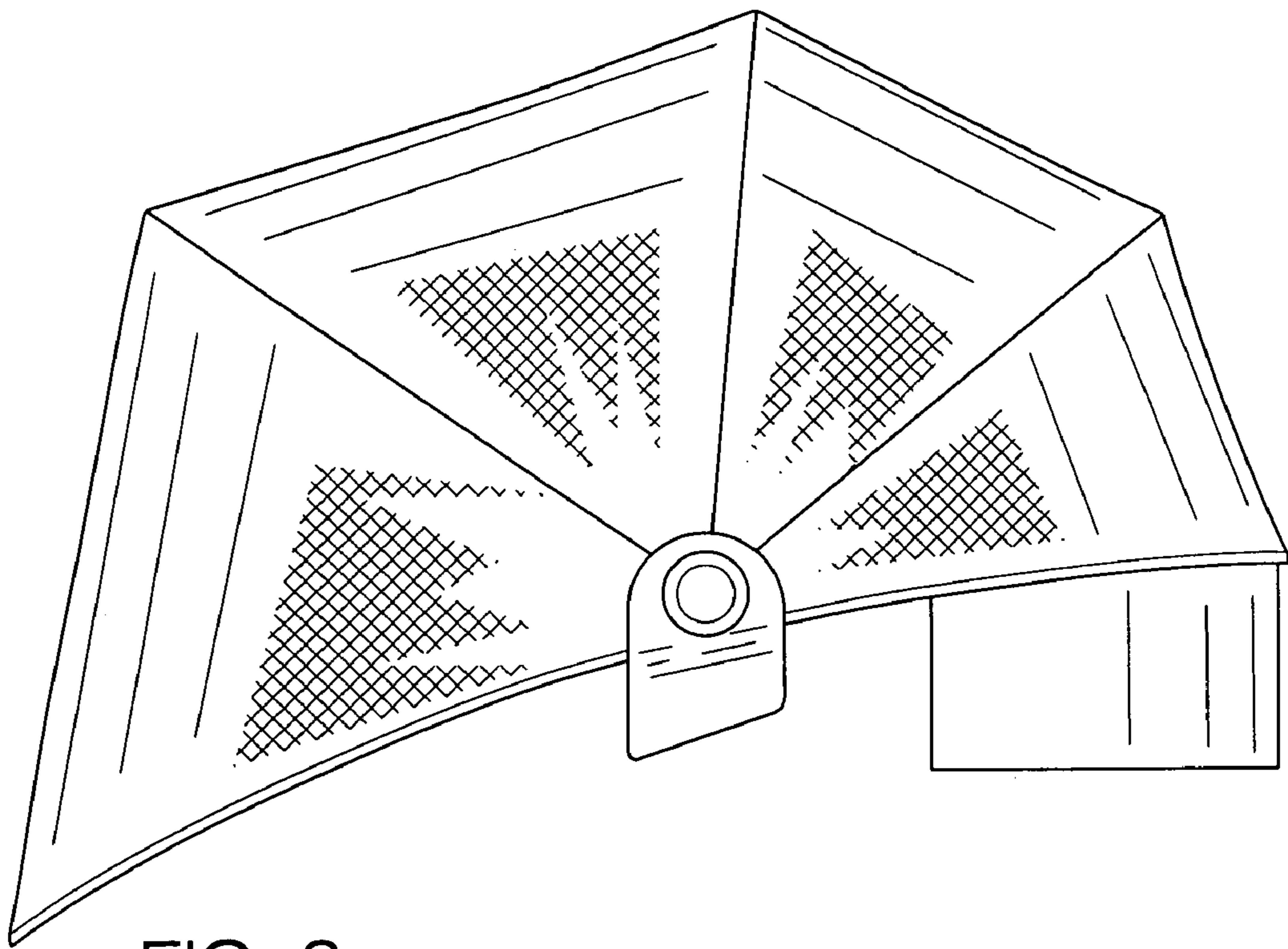


FIG. 3



FIG. 5

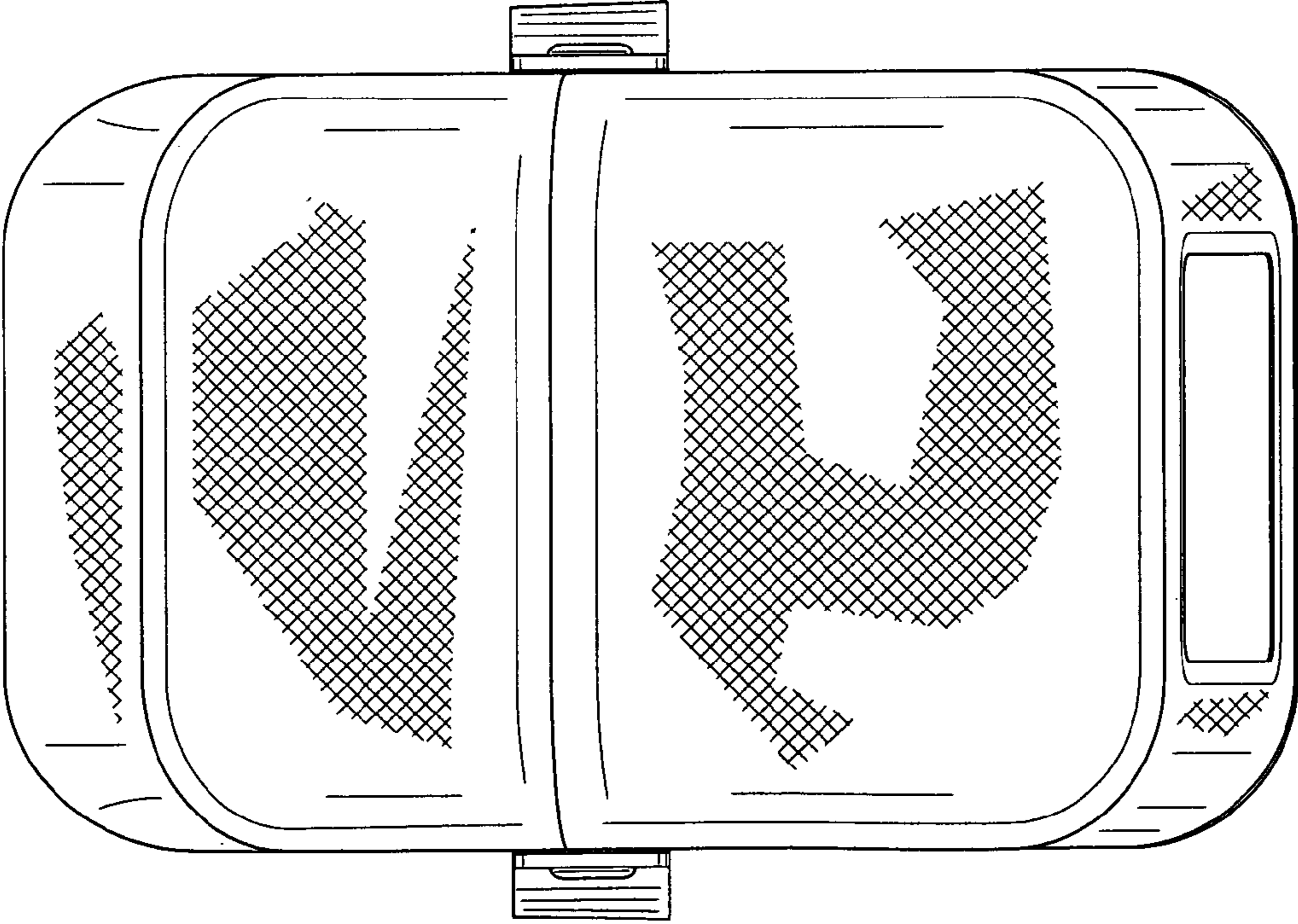
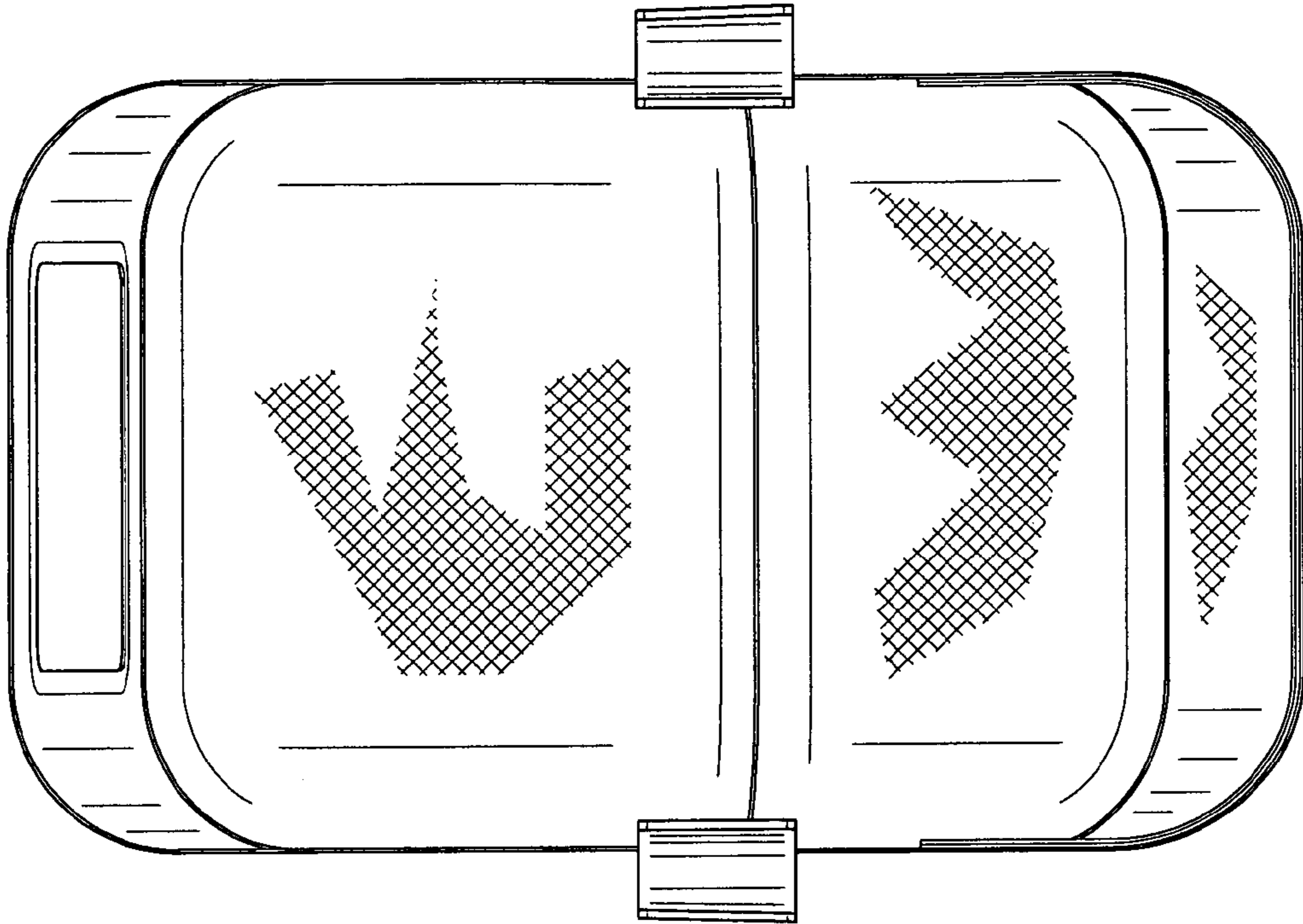


FIG. 4

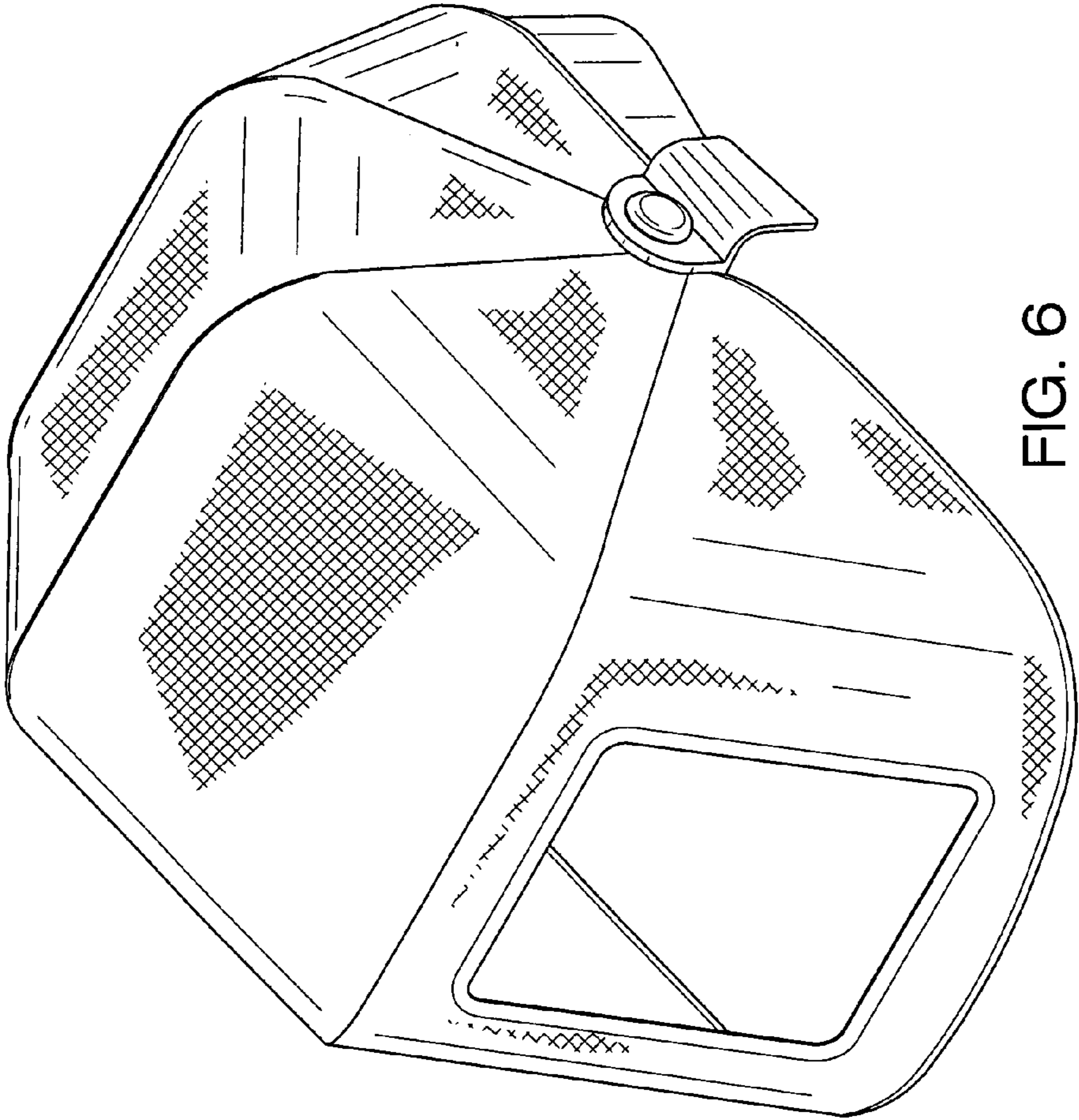


FIG. 6

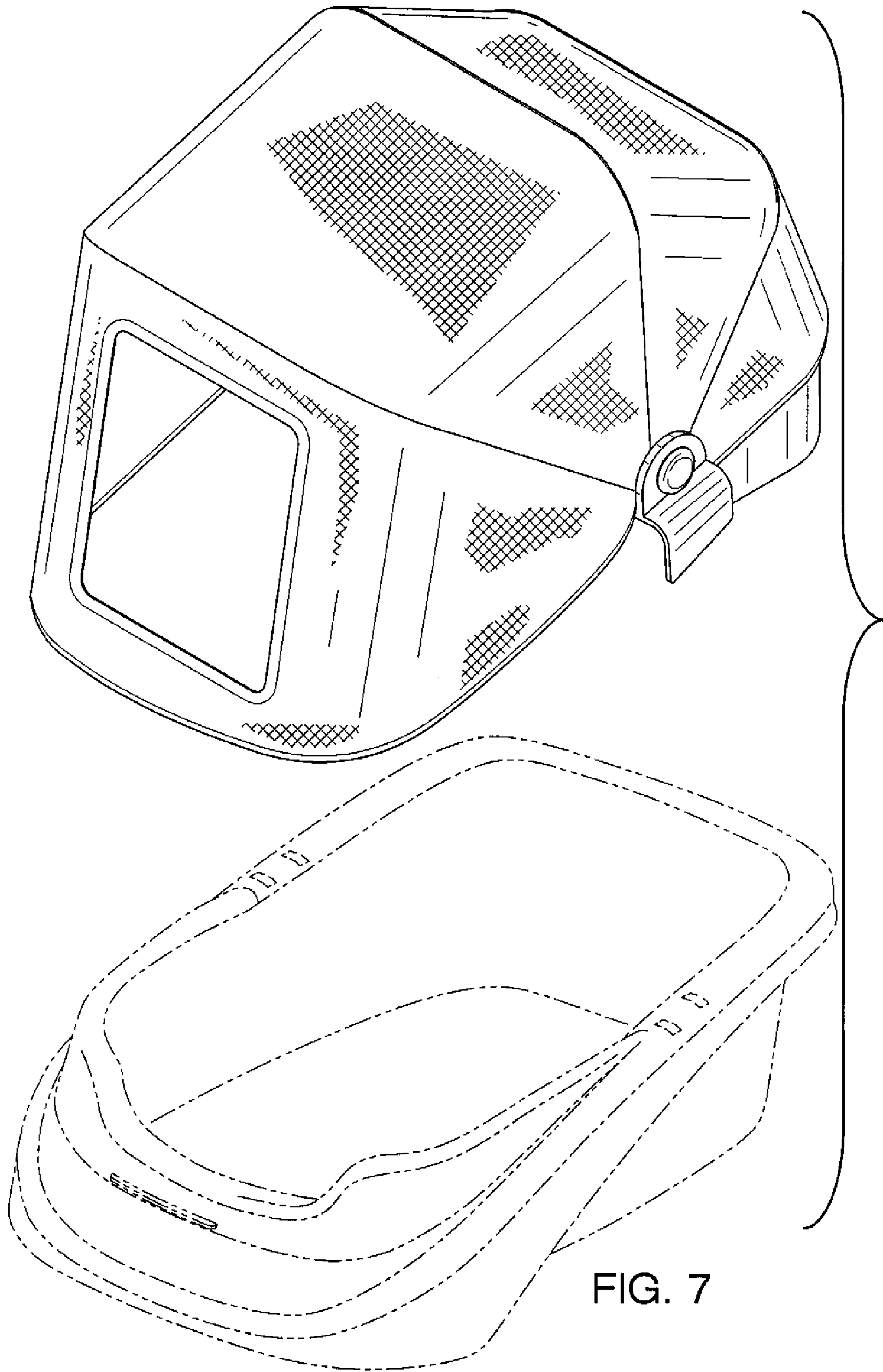


FIG. 7