



US00D601309S

(12) **United States Design Patent**  
**Babal**

(10) **Patent No.:** **US D601,309 S**

(45) **Date of Patent:** **\*\* Sep. 29, 2009**

(54) **PET FOOD DISH**

(75) Inventor: **Prashant Babal**, Hopkins, MN (US)

(73) Assignee: **Wazir Chand Handicrafts**, Moradabad (IN)

(\*\*) Term: **14 Years**

(21) Appl. No.: **29/307,715**

(22) Filed: **May 7, 2008**

(51) **LOC (9) Cl.** ..... **30-03**

(52) **U.S. Cl.** ..... **D30/129**

(58) **Field of Classification Search** ..... D30/121, D30/122, 129-133; 119/61.5, 51.01, 61.56, 119/51.03, 59, 62, 63, 51.5, 57.8, 74, 61.54, 119/61.55; 312/204; 248/151, 188; 108/156, 108/153.1-157; 220/23.87, 630, 737, 743, 220/9.4, 495.01, 574, 212, 255, 23.83; 206/515; D7/586, 543, 550.1, 587, 505, 584, 545, 500, D7/553.1-553.8, 546, 555, 556, 504, 565, D7/562, 602; D9/429; 43/109; D22/122; 99/430, DIG. 10

See application file for complete search history.

(56) **References Cited**

**U.S. PATENT DOCUMENTS**

D235,122 S *	5/1975	Neri	.....	D7/630
D400,407 S *	11/1998	Platte	.....	D7/629
D420,857 S *	2/2000	Loew et al.	.....	D7/558
D470,784 S *	2/2003	Murase	.....	D10/92
D476,861 S *	7/2003	Zettle et al.	.....	D7/629
D501,366 S *	2/2005	Claypool et al.	.....	D7/602

D507,937 S *	8/2005	Dais et al.	.....	D7/602
D511,074 S *	11/2005	Claypool et al.	.....	D7/602
D522,809 S *	6/2006	Kusuma et al.	.....	D7/602
D537,300 S *	2/2007	Kim	.....	D7/629
D564,710 S	3/2008	Modi et al.		
D564,711 S	3/2008	Modi et al.		
D565,805 S	4/2008	Modi et al.		
2007/0034161 A1 *	2/2007	Thompson	.....	119/61.5

\* cited by examiner

*Primary Examiner*—Susan Moon Lee

(74) *Attorney, Agent, or Firm*—Brooks, Cameron & Huebsch, PLLC

(57) **CLAIM**

The ornamental design for a pet food dish, as shown and described in FIGS. 1-6.

**DESCRIPTION**

FIG. 1 is an angled top perspective view of a pet food dish embodiment of the present disclosure;

FIG. 2 is an angled bottom perspective view of the embodiment of FIG. 1;

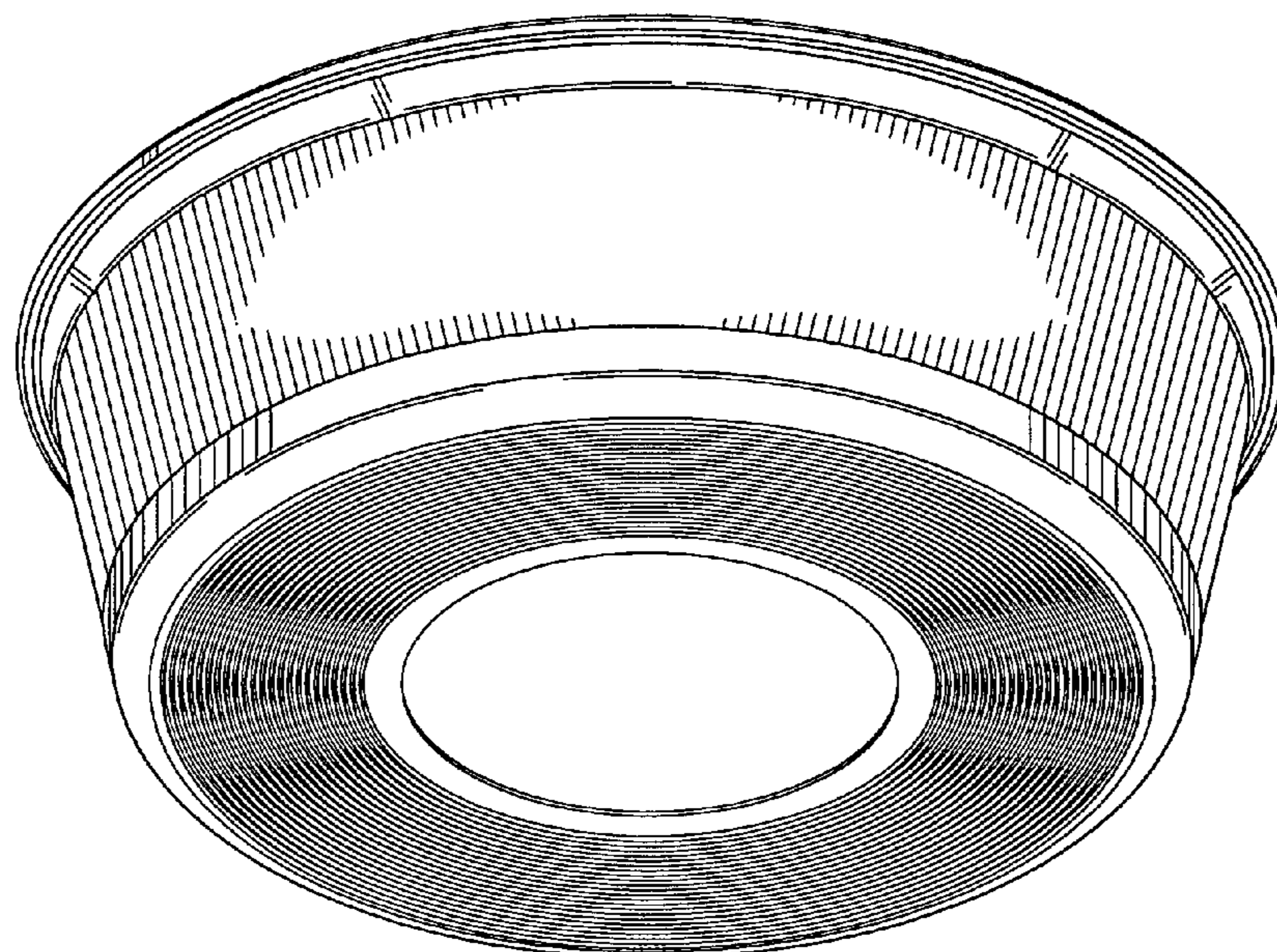
FIG. 3 is a bottom plan view of the embodiment of FIG. 1;

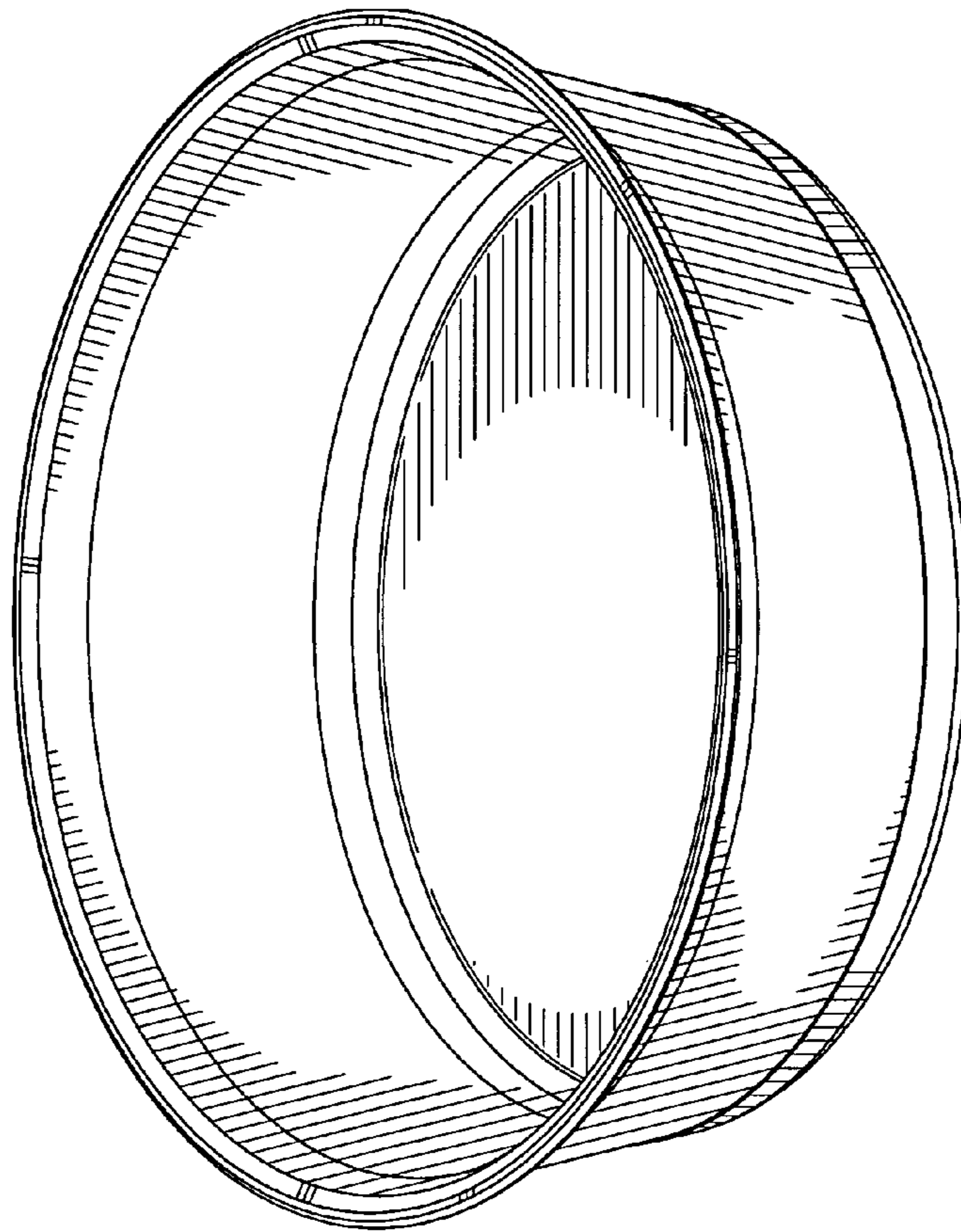
FIG. 4 is a side view of the embodiment of FIG. 1;

FIG. 5 is a bottom plan view of an alternative bottom for use in the embodiment of FIG. 1, all other sides being the same as in the embodiment of FIG. 1; and,

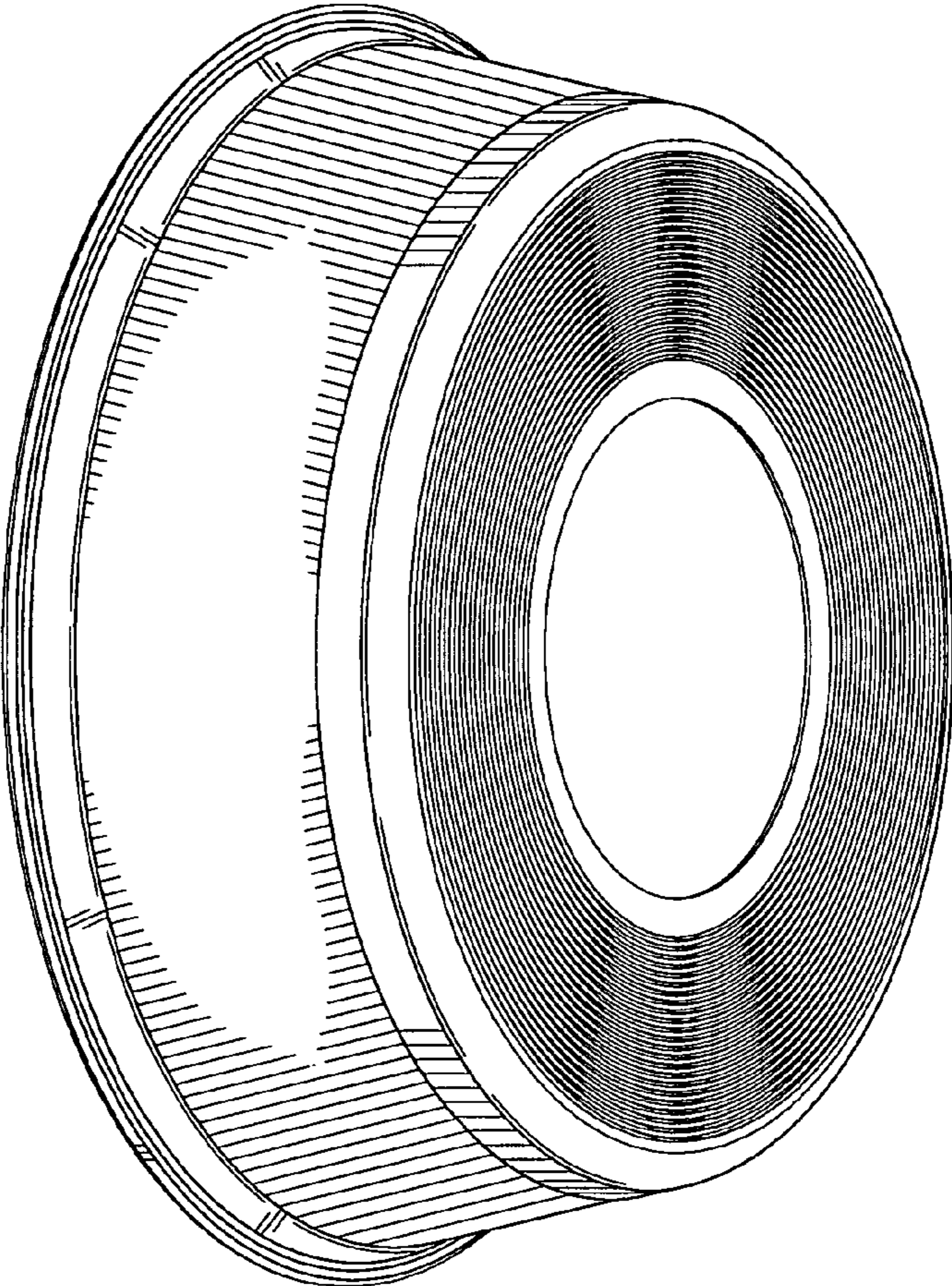
FIG. 6 is a bottom plan view of an alternative bottom for use in the embodiment of FIG. 1, all other sides being the same as in the embodiment of FIG. 1.

**1 Claim, 6 Drawing Sheets**

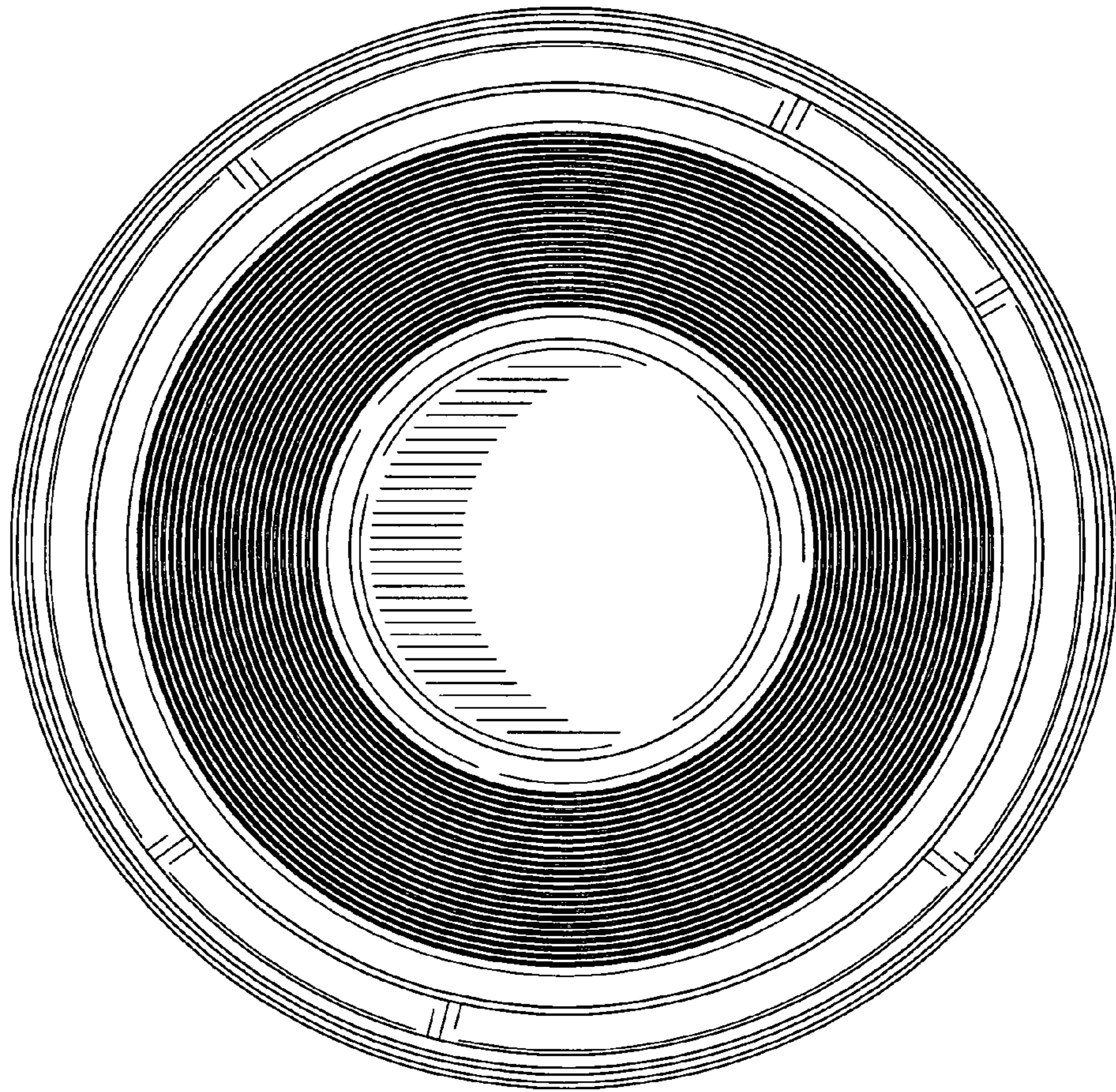




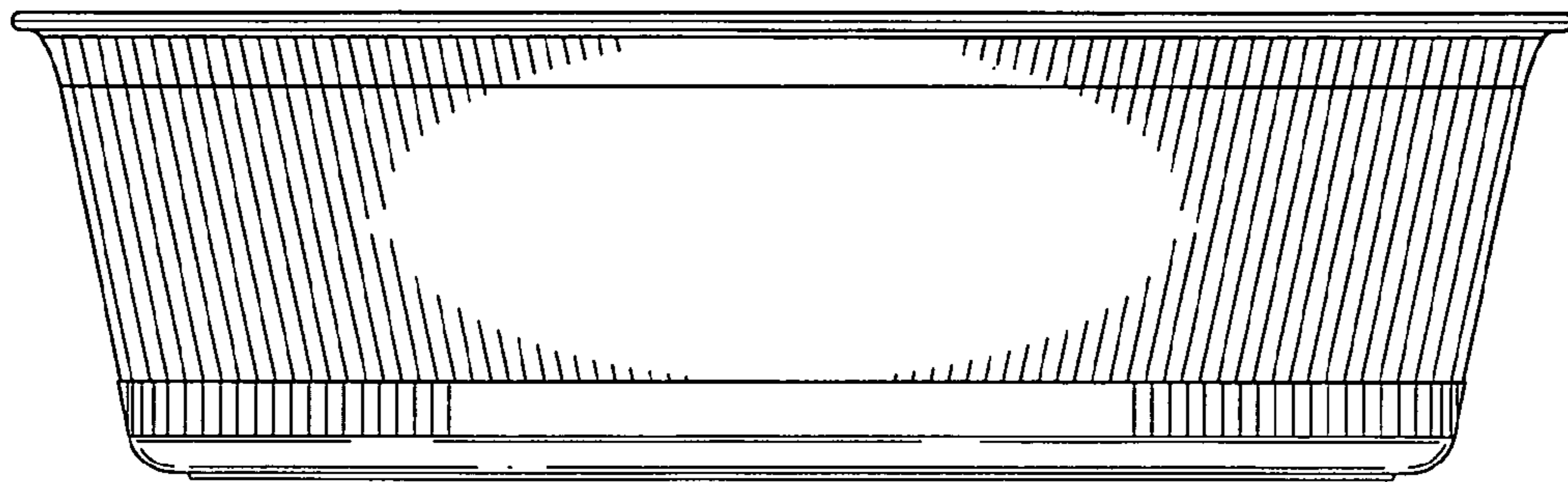
*Fig. 1*



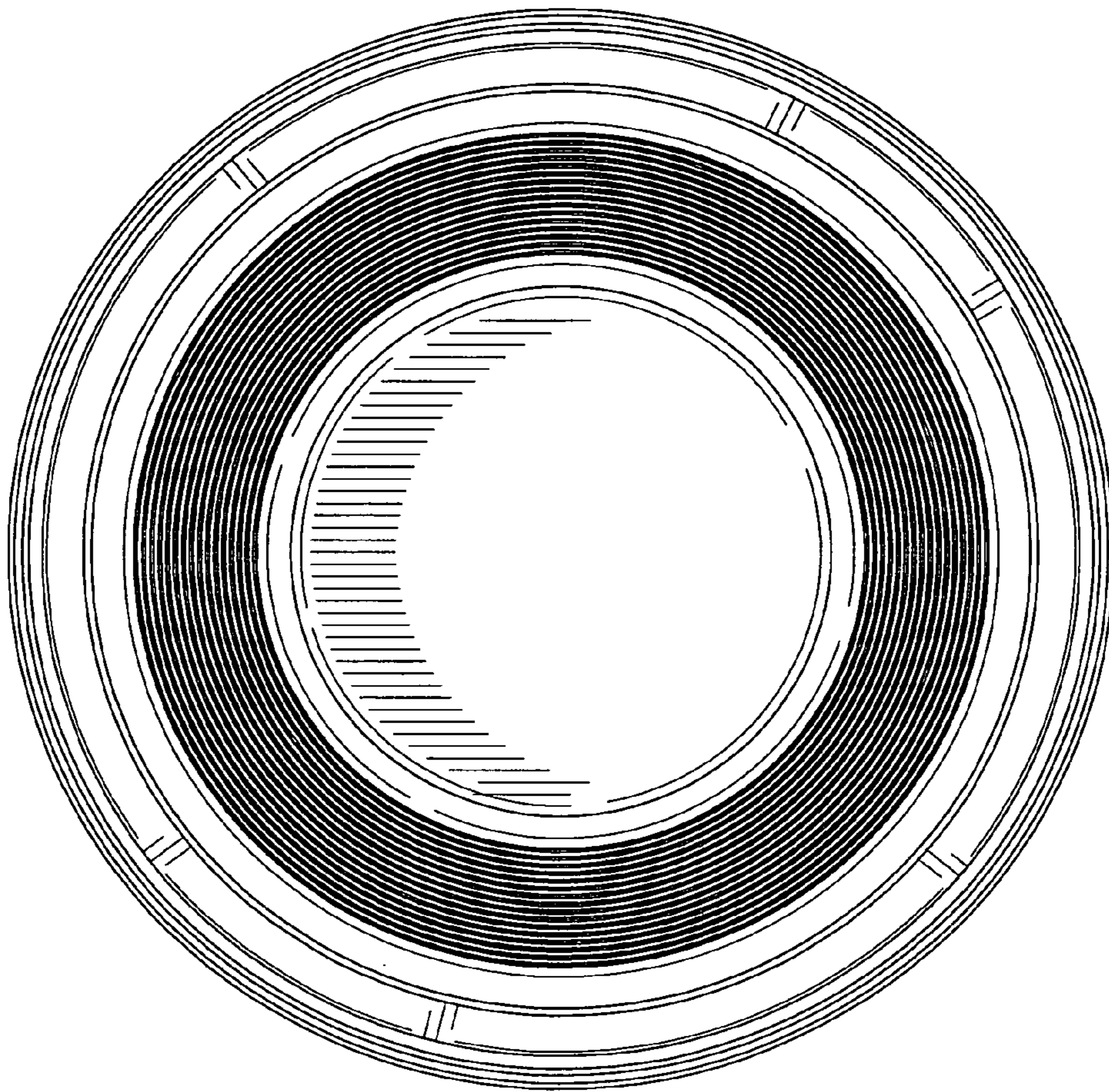
*Fig. 2*



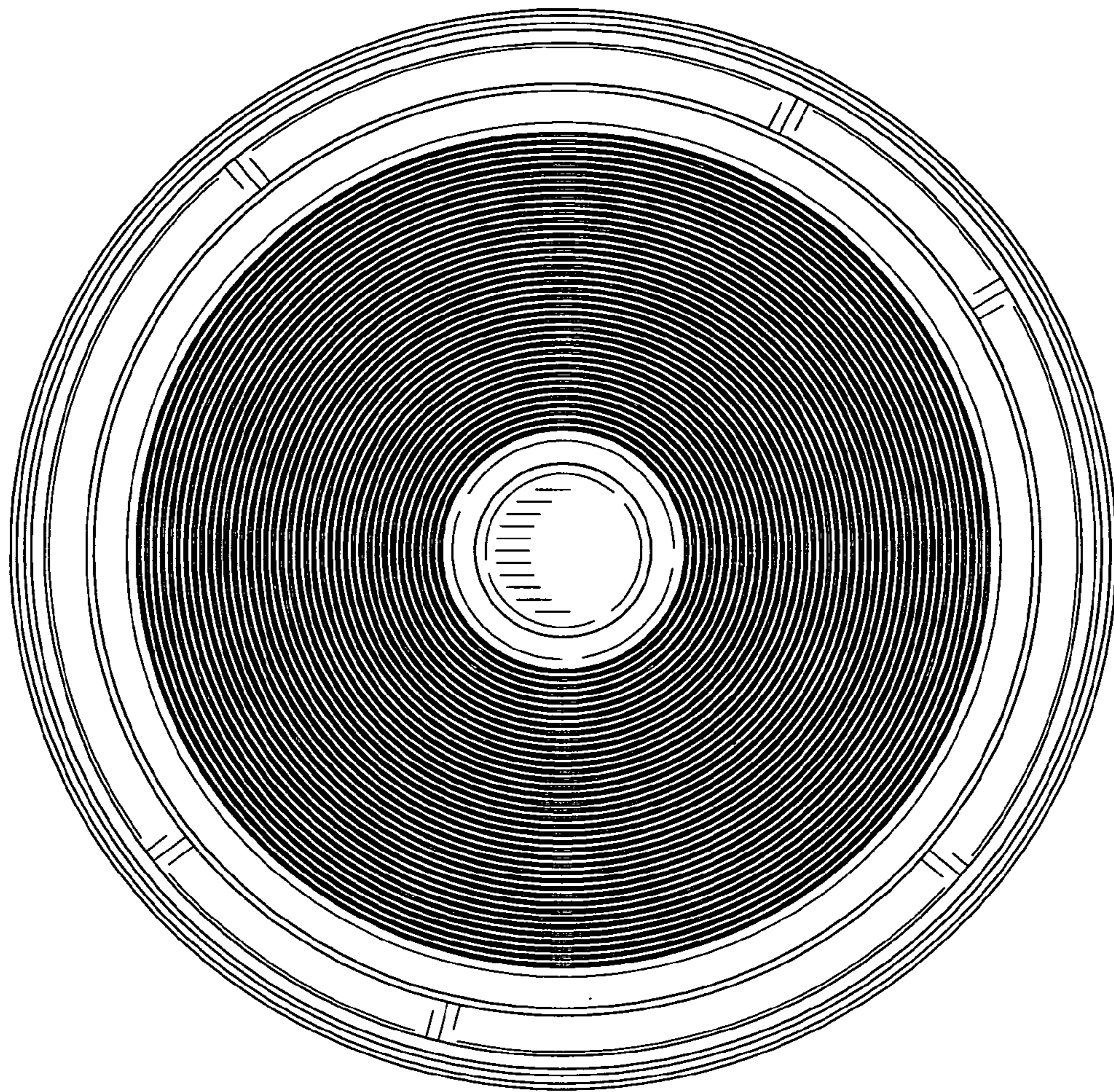
*Fig. 3*



*Fig. 4*



*Fig. 5*



*Fig. 6*