



US00D601304S

(12) **United States Design Patent**  
**McClellan**

(10) **Patent No.:** **US D601,304 S**  
(45) **Date of Patent:** **\*\* Sep. 29, 2009**

(54) **TRANSPARENT PROJECTILE DEFEATING SHIELD**

(75) Inventor: **Dale A. McClellan**, Virginia Beach, VA (US)

(73) Assignee: **STS Security Products, LLC**, Virginia Beach, VA (US)

(\*\*) Term: **14 Years**

(21) Appl. No.: **29/228,578**

(22) Filed: **Apr. 26, 2005**

(51) **LOC (9) Cl.** ..... **09-03**

(52) **U.S. Cl.** ..... **D29/100**

(58) **Field of Classification Search** ..... D29/100,  
D29/101, 101.1, 101.2, 101.3, 101.4, 124;  
D22/199; 2/2.5, 27, 48, 50, 51, 52, 92, 102,  
2/103, 829, 830, 860, 861, 862, 863, 864,  
2/913; 89/36.02, 36.05, 36.07; 244/121;  
D24/190; D21/805; 182/3; 4/106, 116;  
362/108; D11/95, 96, 99, 131, 132, 133,  
D11/140; 109/19; 52/764

See application file for complete search history.

(56) **References Cited**

U.S. PATENT DOCUMENTS

D278,280	S	*	4/1985	Gregory et al.	.....	D29/100
5,217,185	A	*	6/1993	Rucker	.....	244/121
5,615,624	A	*	4/1997	Terry et al.	.....	109/19
D457,273	S	*	5/2002	Griffiths	.....	D29/101.3
6,401,427	B1	*	6/2002	Snyder	.....	52/764
6,681,400	B1	*	1/2004	Mills	.....	2/2.5
D563,502	S	*	3/2008	Tota	.....	D22/199
D568,544	S	*	5/2008	Crye et al.	.....	D29/100

D569,045	S	*	5/2008	Crye et al.	.....	D29/100
D569,046	S	*	5/2008	Crye et al.	.....	D29/100
7,424,844	B2	*	9/2008	Carter	.....	89/36.05
2002/0092416	A1	*	7/2002	Cohen et al.	.....	89/36.05
2008/0047419	A1	*	2/2008	Thompson	.....	89/36.02

\* cited by examiner

*Primary Examiner*—Robert M Spear

*Assistant Examiner*—Barbara B Lohr

(74) *Attorney, Agent, or Firm*—Millen, White, Zelano & Branigan, P.C.

(57) **CLAIM**

The ornamental design for a transparent projectile defeating shield, as shown and described.

**DESCRIPTION**

FIG. 1 is a perspective view of a transparent projectile defeating shield;

FIG. 2 is a front view of a transparent projectile defeating shield;

FIG. 3 is a back view of a transparent projectile defeating shield;

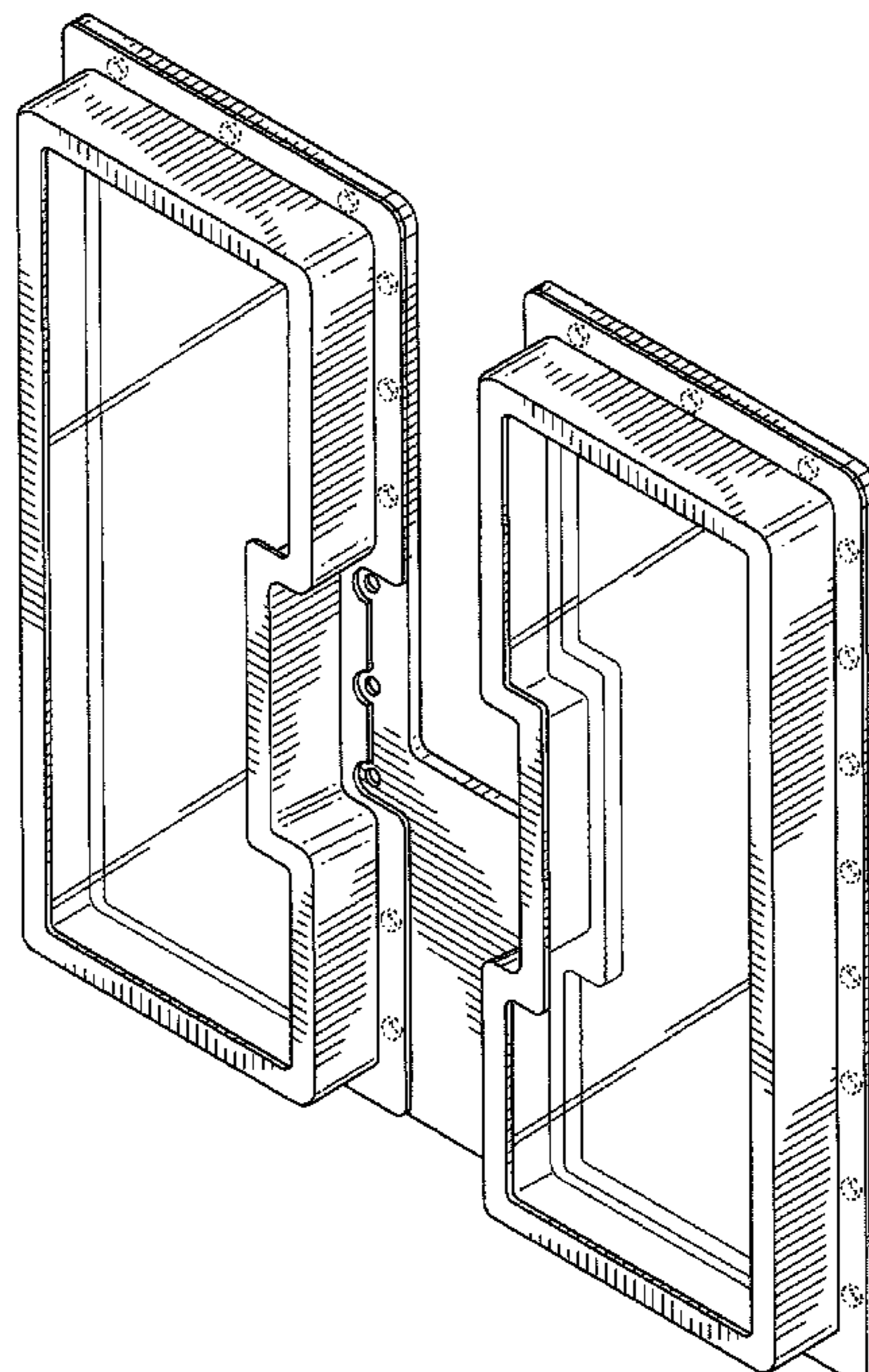
FIG. 4 is a top view of a transparent projectile defeating shield;

FIG. 5 is a bottom view of a transparent projectile defeating shield; and,

FIG. 6 is a side view of a transparent projectile defeating shield.

The broken line drawings depict environmental subject matter and form no part of the claimed design.

**1 Claim, 4 Drawing Sheets**



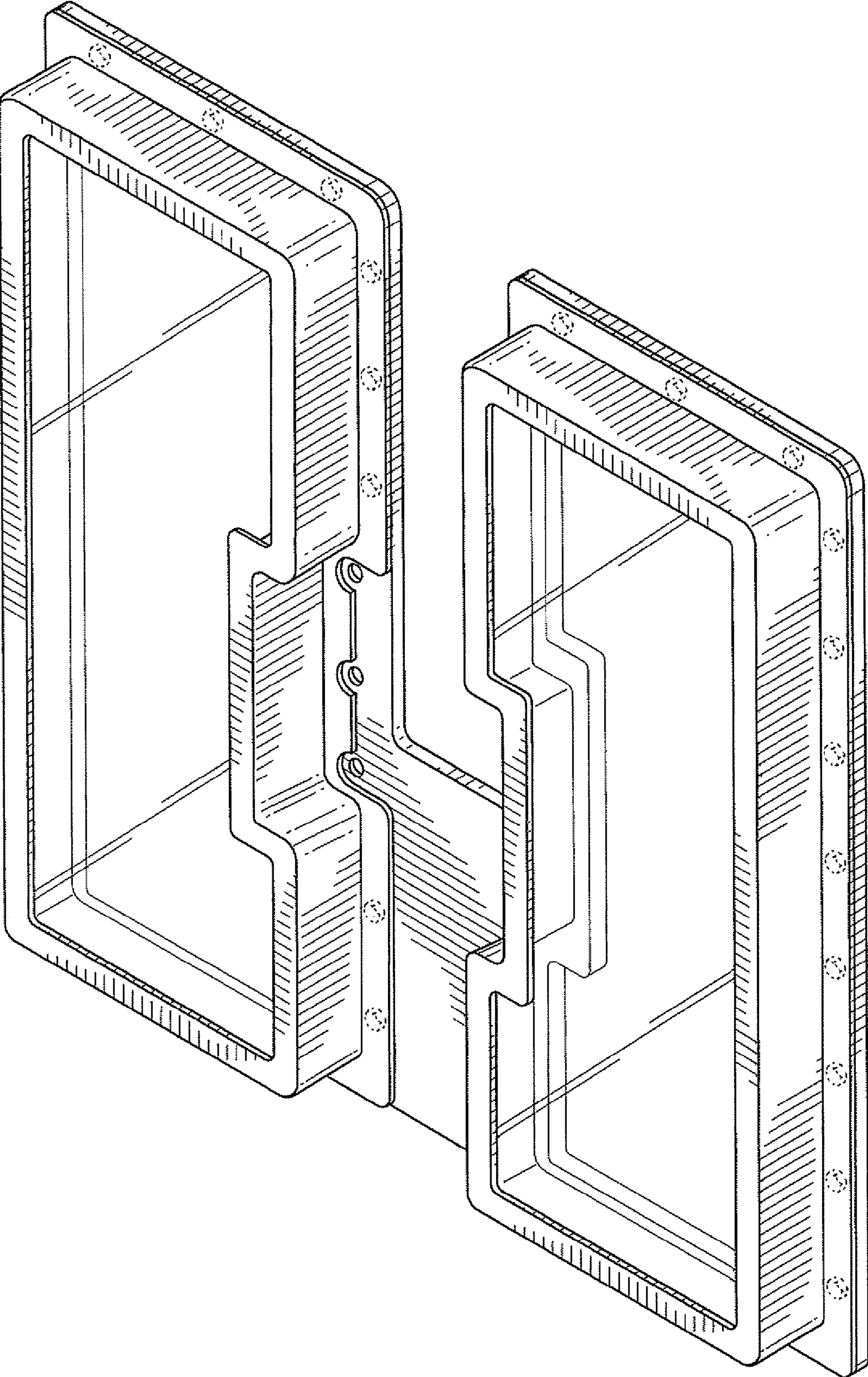


FIG. 1

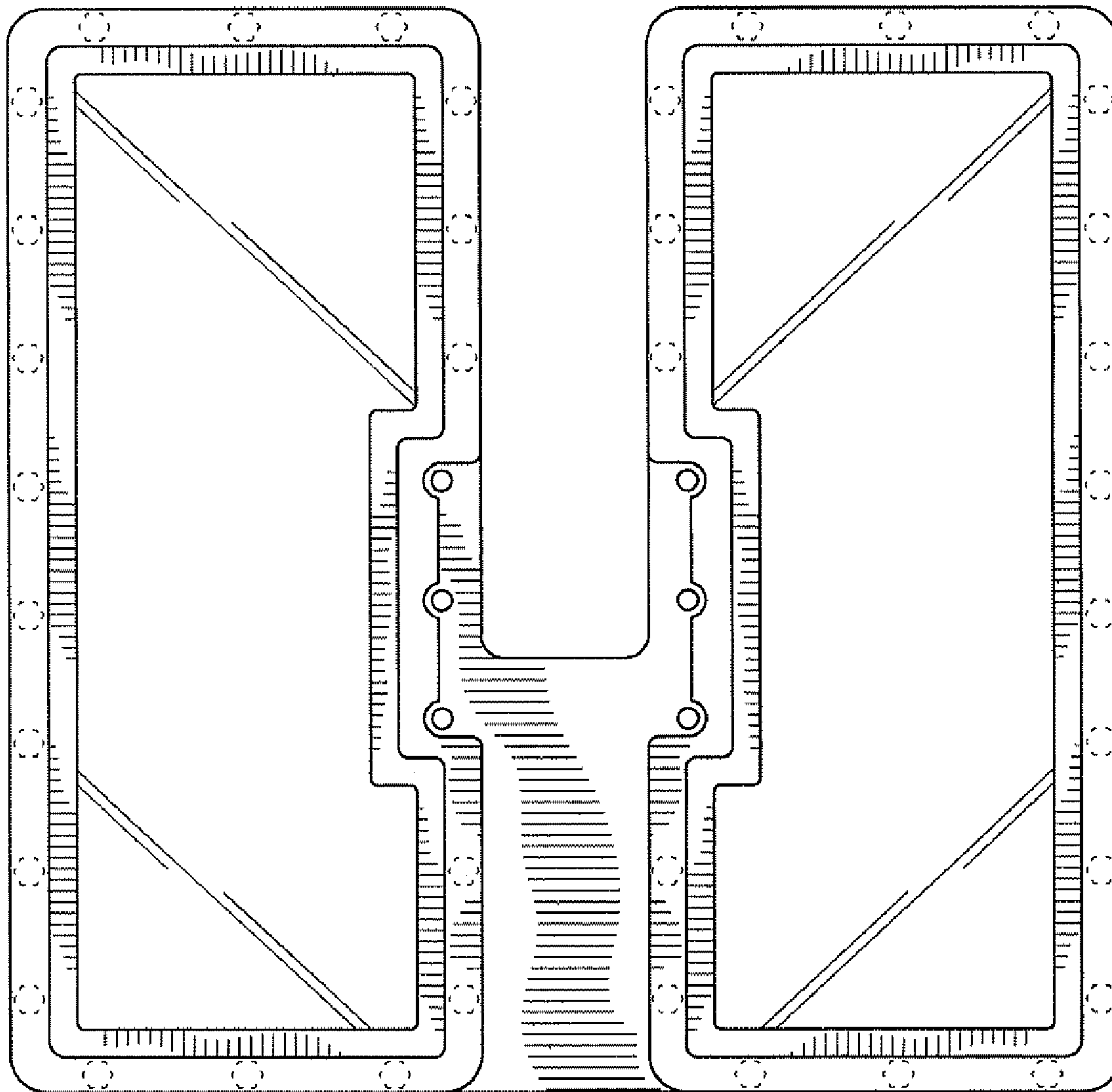


FIG.2

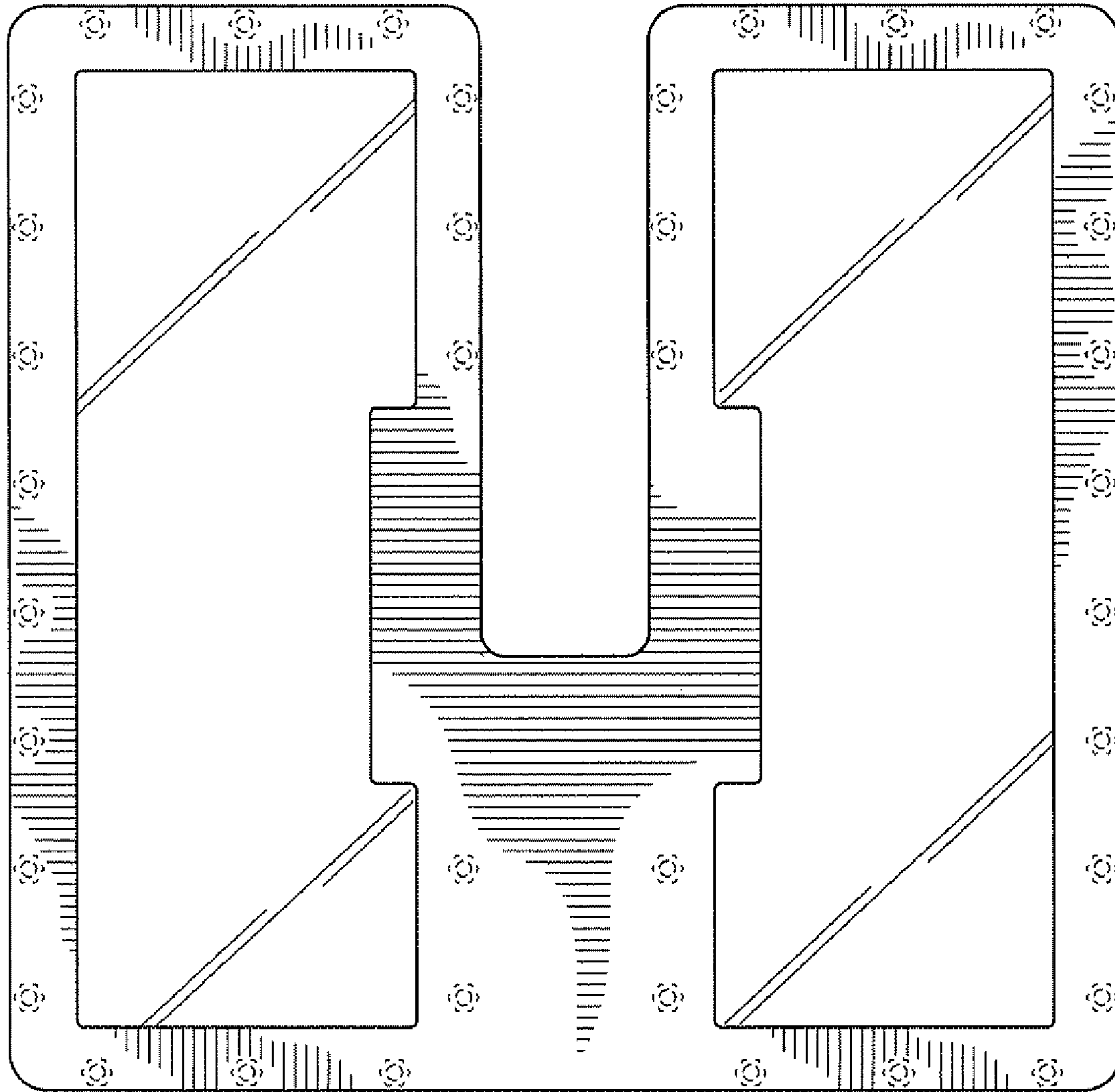


FIG.3

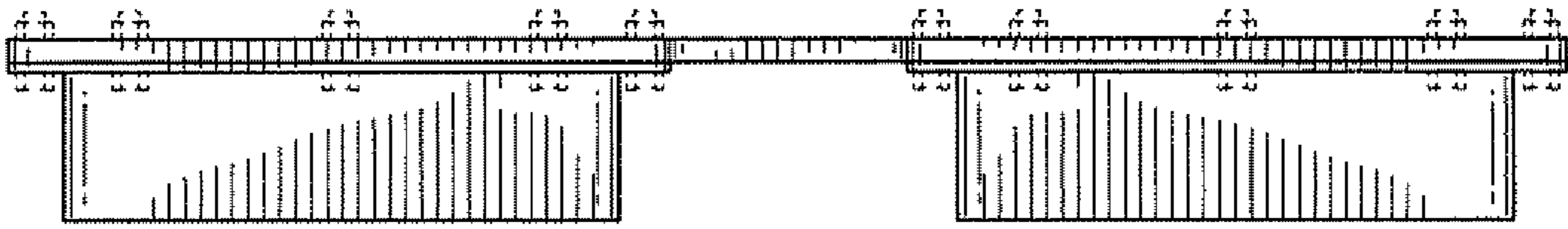


FIG. 4

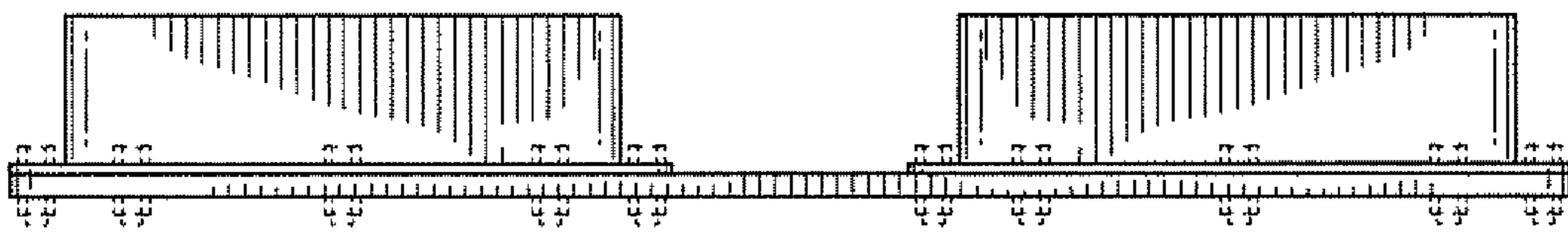


FIG. 5

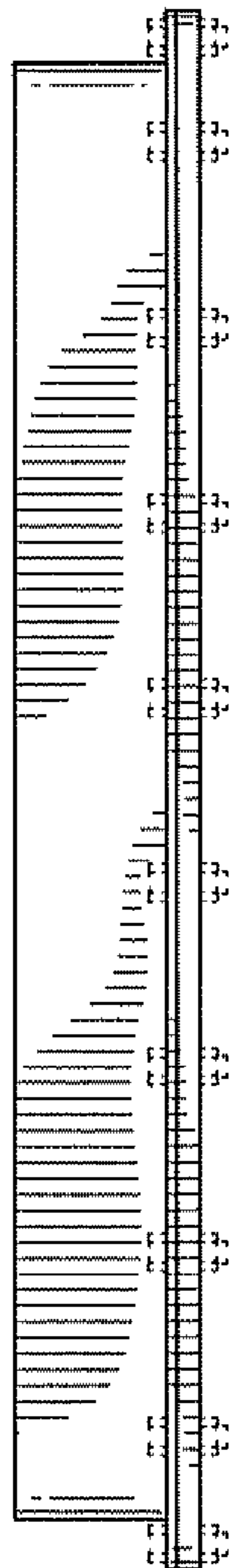


FIG. 6