



US00D601303S

(12) **United States Design Patent**
Cho

(10) **Patent No.:** **US D601,303 S**
(45) **Date of Patent:** **** Sep. 29, 2009**

(54) **SKIN CARE DEVICE SET**
(75) Inventor: **Syung Hyun Cho**, Seoul (KR)
(73) Assignee: **Nuga Medical Co., Ltd** (KR)
(**) Term: **14 Years**
(21) Appl. No.: **29/317,491**
(22) Filed: **Apr. 30, 2008**

(30) **Foreign Application Priority Data**
Feb. 22, 2008 (KR) 30-2008-0007729

(51) **LOC (9) Cl.** **28-03**
(52) **U.S. Cl.** **D28/78; D28/61**
(58) **Field of Classification Search** D28/61,
D28/73, 76-84, 64.3; 132/286-320; 206/385,
206/823, 581
See application file for complete search history.

(56) **References Cited**
U.S. PATENT DOCUMENTS
5,520,202 A * 5/1996 Arbree 132/294
D452,045 S * 12/2001 Ferber D28/61
D481,493 S * 10/2003 Chen D28/73

D491,693 S * 6/2004 Chen D28/83
D554,802 S * 11/2007 Pitot D28/64.3
D559,465 S * 1/2008 Jenkins et al. D28/83
D570,546 S * 6/2008 Washington D28/82
7,509,839 B2 * 3/2009 Duranton D28/78

* cited by examiner
Primary Examiner—Jennifer Rivard
(74) *Attorney, Agent, or Firm*—Cantor Colburn LLP

(57) **CLAIM**

I claim, the ornamental design for a skin care device set, as shown and described.

DESCRIPTION

FIG. 1 is a perspective view of a skin care device set, showing my new design;
FIG. 2 is a front elevational view thereof;
FIG. 3 is a rear elevational view thereof;
FIG. 4 is a left side elevational view thereof;
FIG. 5 is a right side elevational view thereof;
FIG. 6 is a top plan view thereof; and,
FIG. 7 is a bottom plan view thereof.

1 Claim, 7 Drawing Sheets

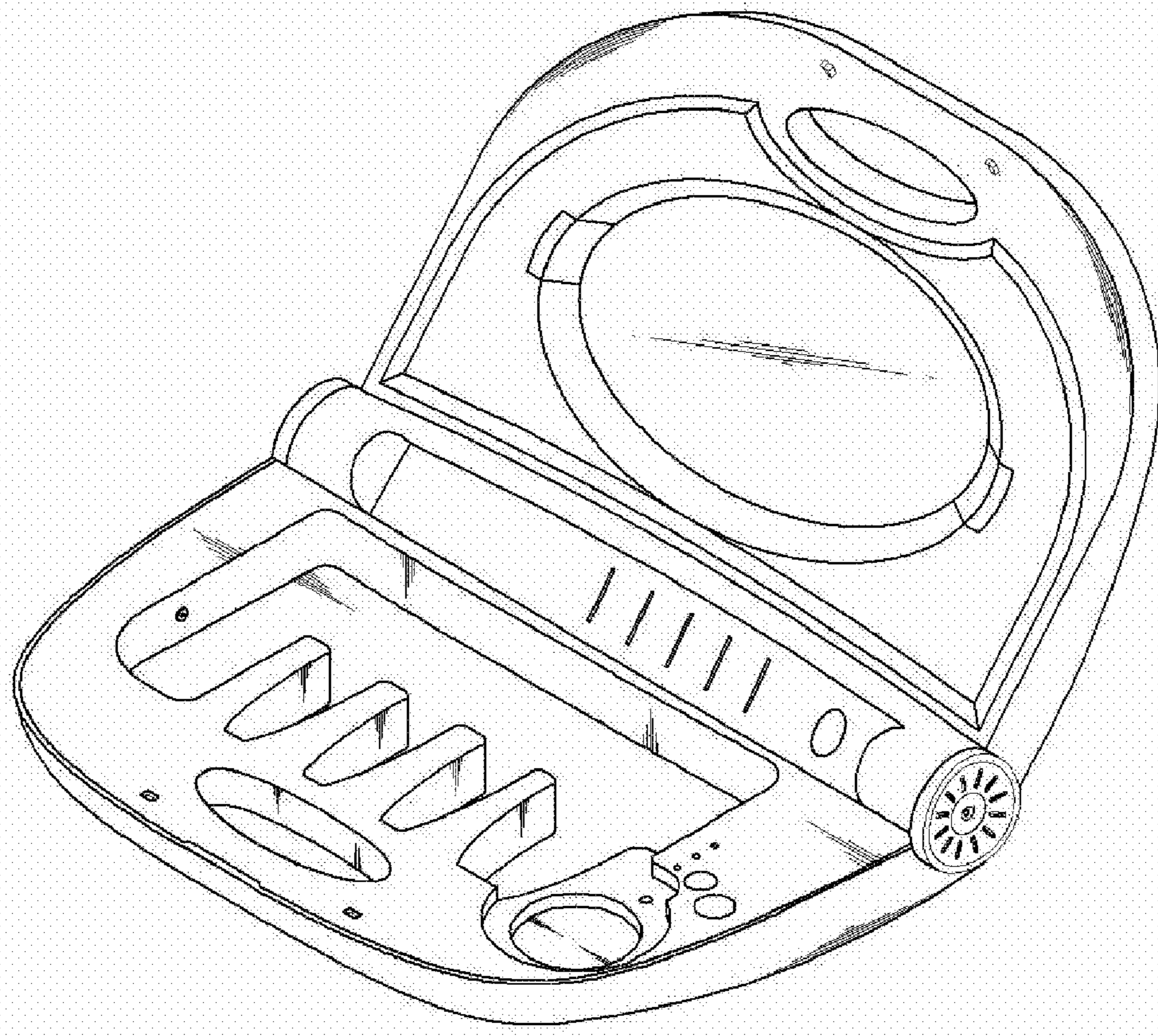


FIG. 1

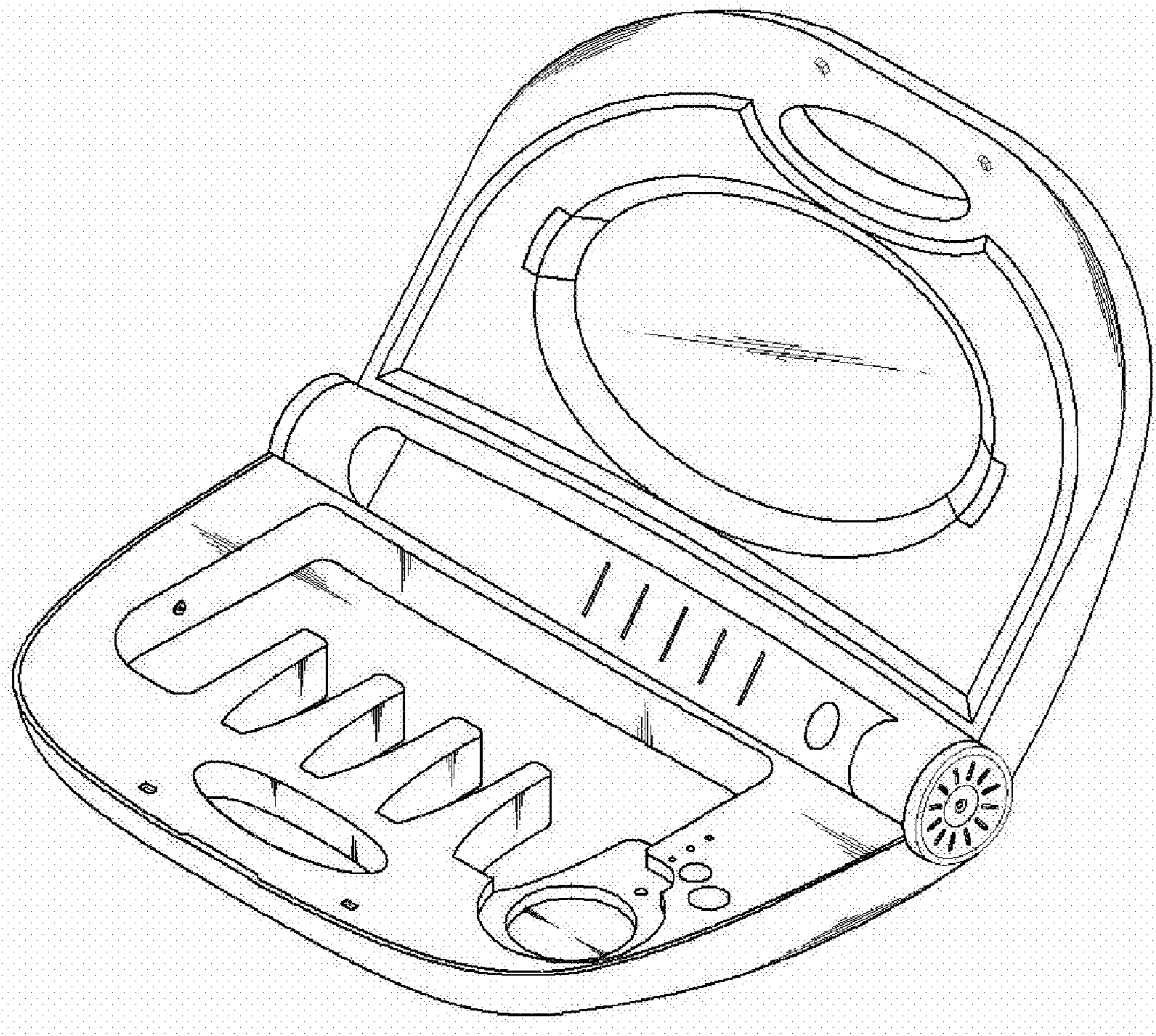


FIG. 2

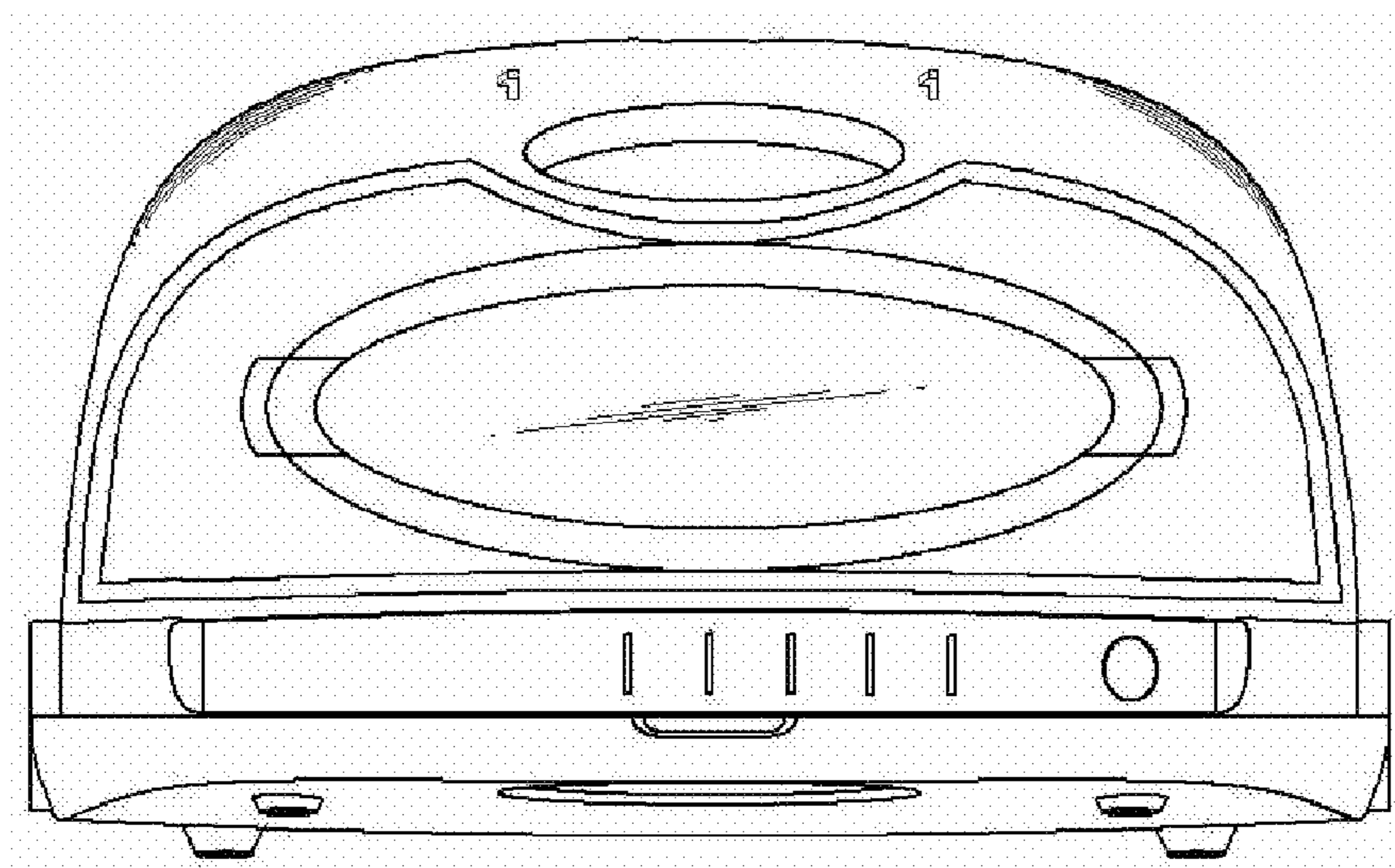


FIG. 3

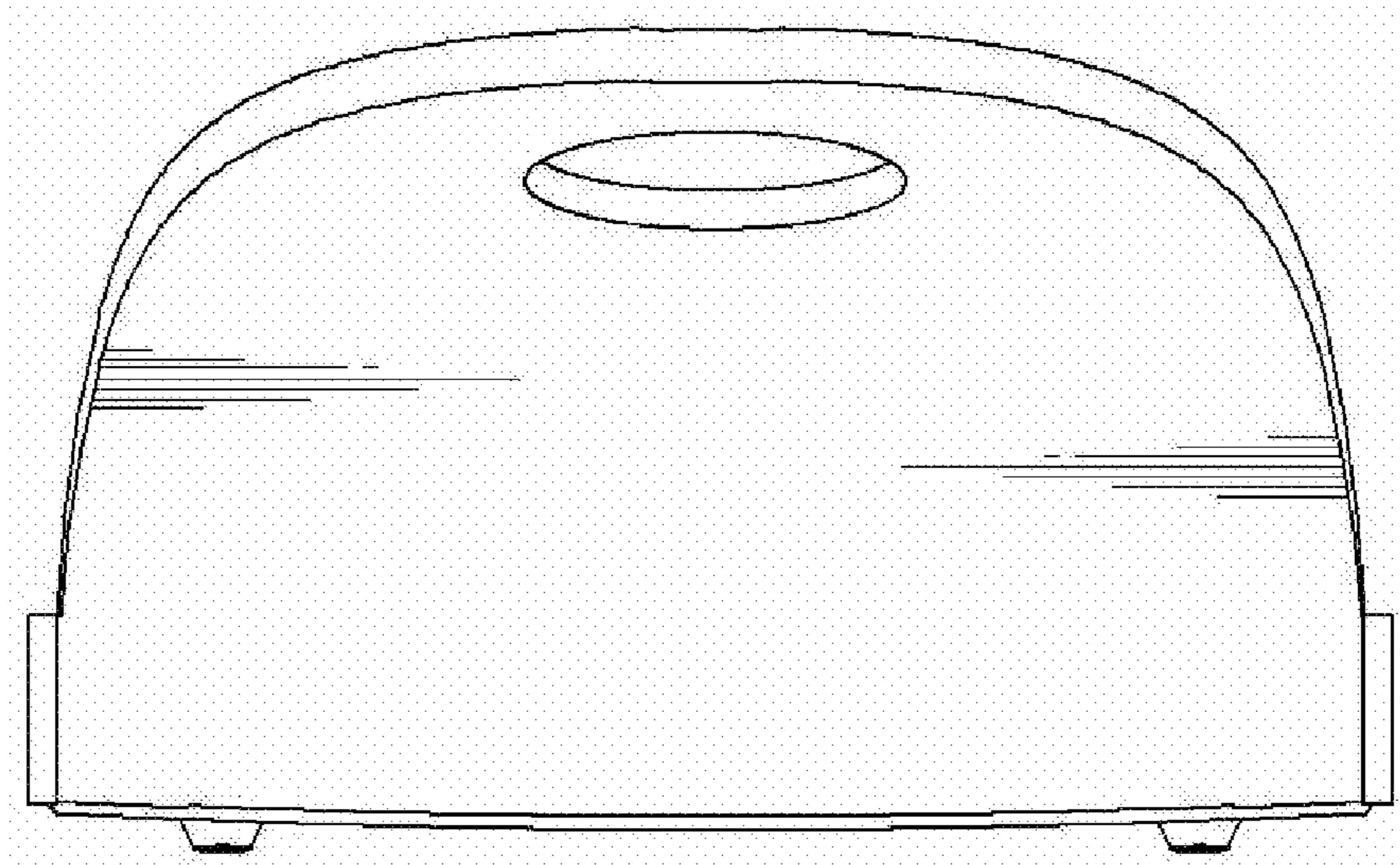


FIG. 4

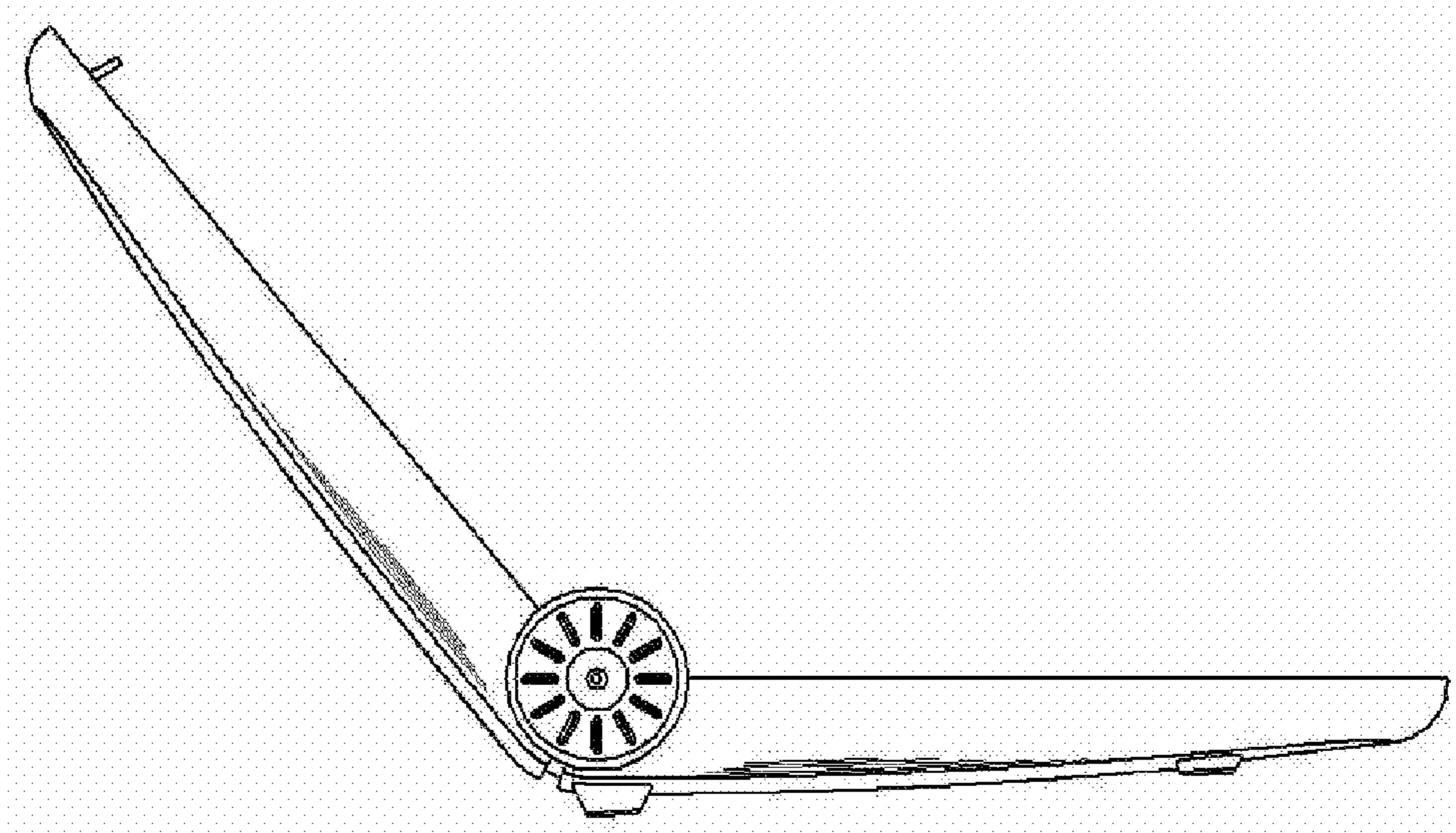


FIG. 5

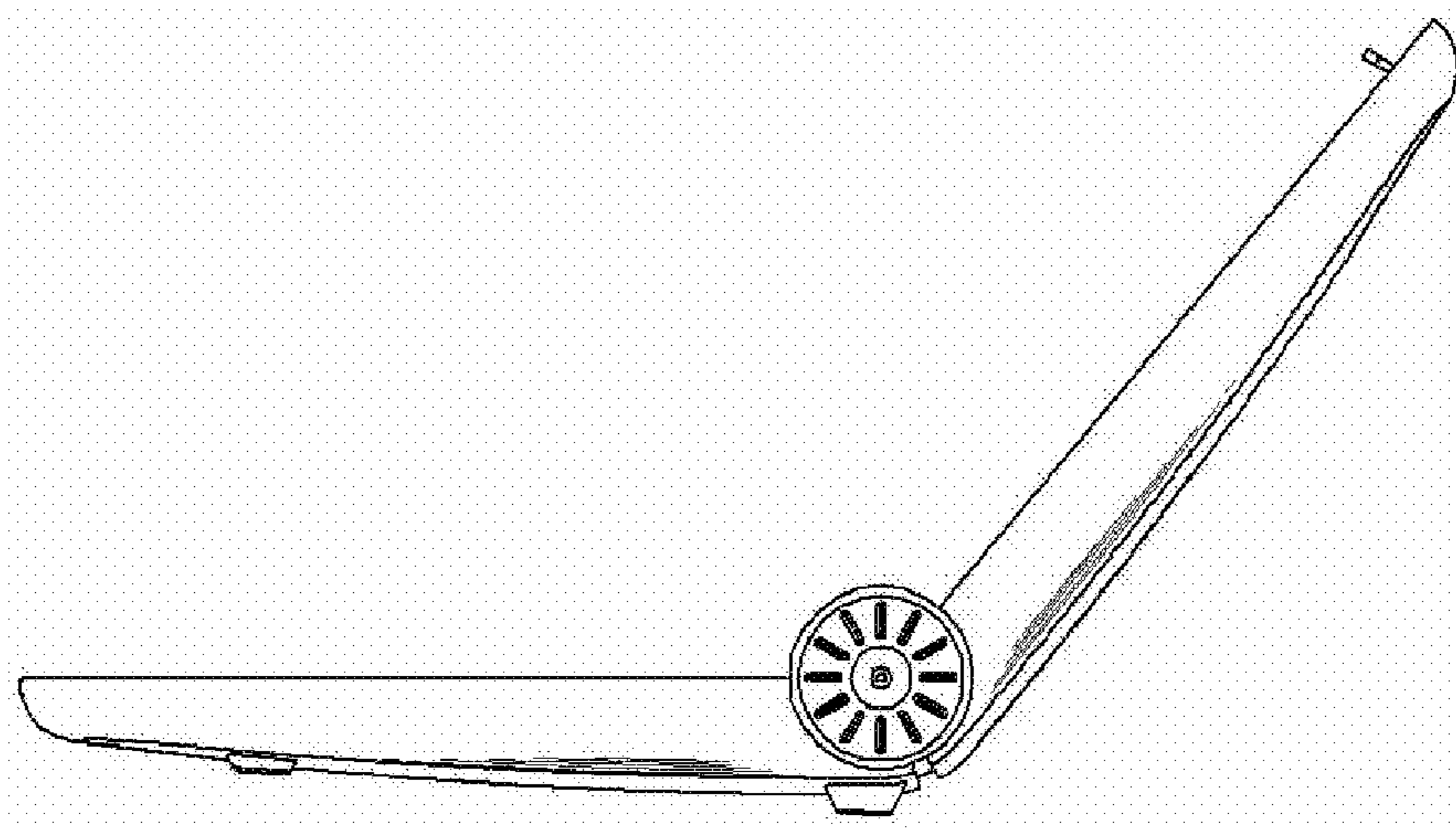


FIG. 6

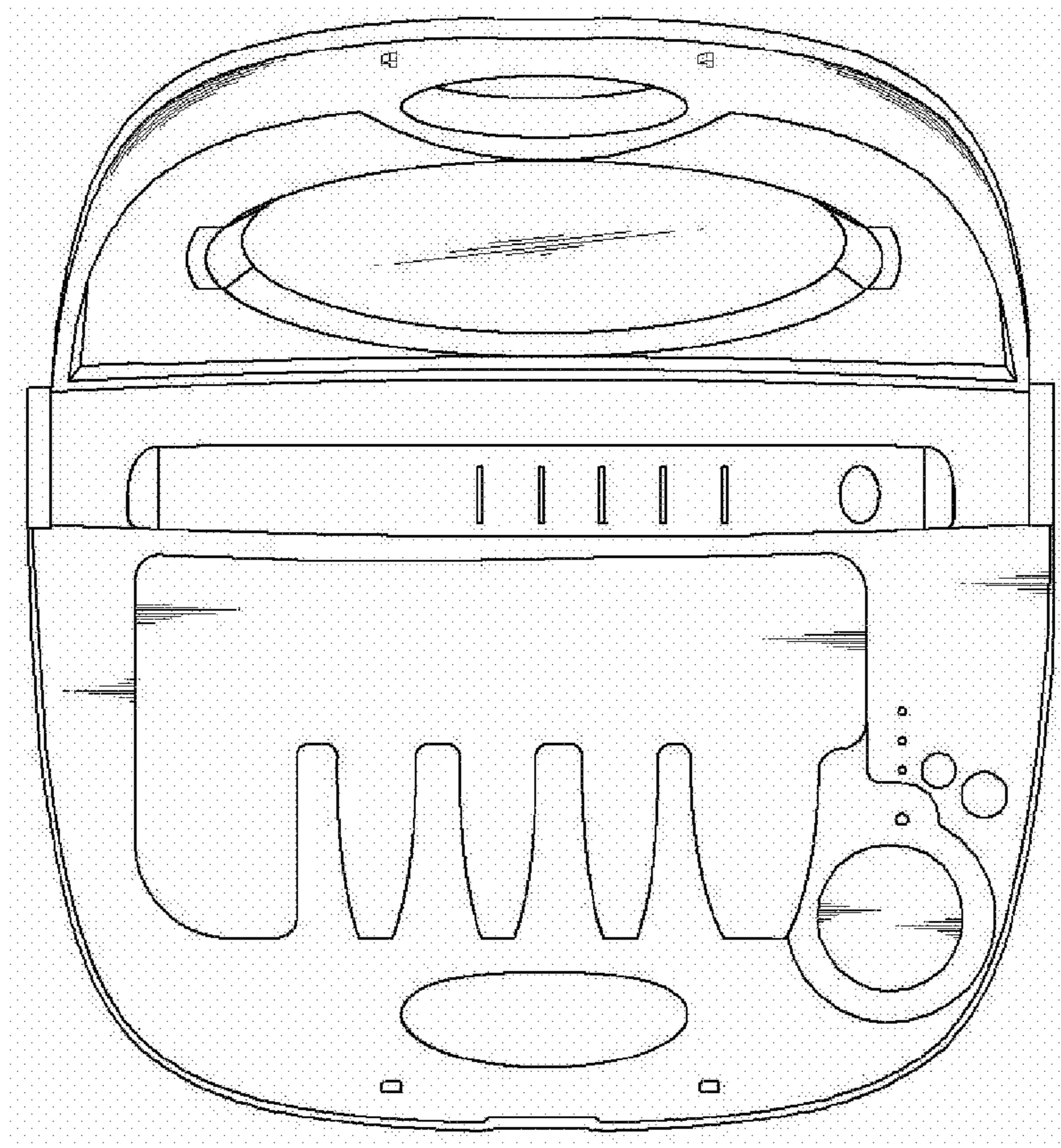


FIG. 7

