

US00D601298S

(12) **United States Design Patent**
Yuan

(10) **Patent No.:** **US D601,298 S**
(45) **Date of Patent:** **** Sep. 29, 2009**

(54) **CHANDELIER PART**

(76) Inventor: **Shiqiang Yuan**, 8th, Jinhua Road,
Shalang, West District, Zhongshan,
Guangdong (CN) 528411

(**) Term: **14 Years**

(21) Appl. No.: **29/318,967**

(22) Filed: **May 31, 2008**

(51) **LOC (9) Cl.** **26-99**

(52) **U.S. Cl.** **D26/138**

(58) **Field of Classification Search** D26/154,
D26/86, 155, 128, 88, 144, 113, 118, 152,
D26/141, 149, 138, 68, 107, 129, 24, 25,
D26/37, 38, 45, 46, 48, 50, 51, 60, 61, 67,
D26/69, 70, 71, 72, 73, 79, 80, 81, 83, 85,
D26/90, 91, 93, 101, 102, 104, 108, 119,
D26/120, 121, 124, 130, 135, 137, 140, 142,
D26/145, 153; D11/90, 79, 43; D3/306,
D3/271.1, 277, 309; 362/102, 202, 606,
362/607, 615, 616, 576, 577, 145, 147, 148,
362/151, 152, 153, 248, 236, 257, 268, 317,
362/329, 331, 341, 350, 351, 356, 358, 391,
362/395, 401, 403, 404, 405, 406, 407, 410,
362/416

See application file for complete search history.

(56) **References Cited**

U.S. PATENT DOCUMENTS

D35,427 S * 12/1901 Alton D26/88

D47,997 S * 10/1915 Guth et al. D26/108
D237,534 S * 11/1975 Jacobsen D26/108
D299,557 S * 1/1989 Porcelli D26/106
D317,058 S * 5/1991 Sonneman D26/92
D337,392 S * 7/1993 Lin D26/106
D373,843 S * 9/1996 Sonneman D26/106
D407,521 S * 3/1999 Crosby D26/88
6,089,733 A * 7/2000 Chen 362/407

* cited by examiner

Primary Examiner—Cathron C Brooks

Assistant Examiner—Kevin K Rudzinski

(74) *Attorney, Agent, or Firm*—Eric Hanscom; Todd
Langford

(57) **CLAIM**

The ornamental design for a chandelier part, as shown.

DESCRIPTION

FIG. 1 is a front view of a chandelier part showing my new
design;

FIG. 2 is a top view thereof;

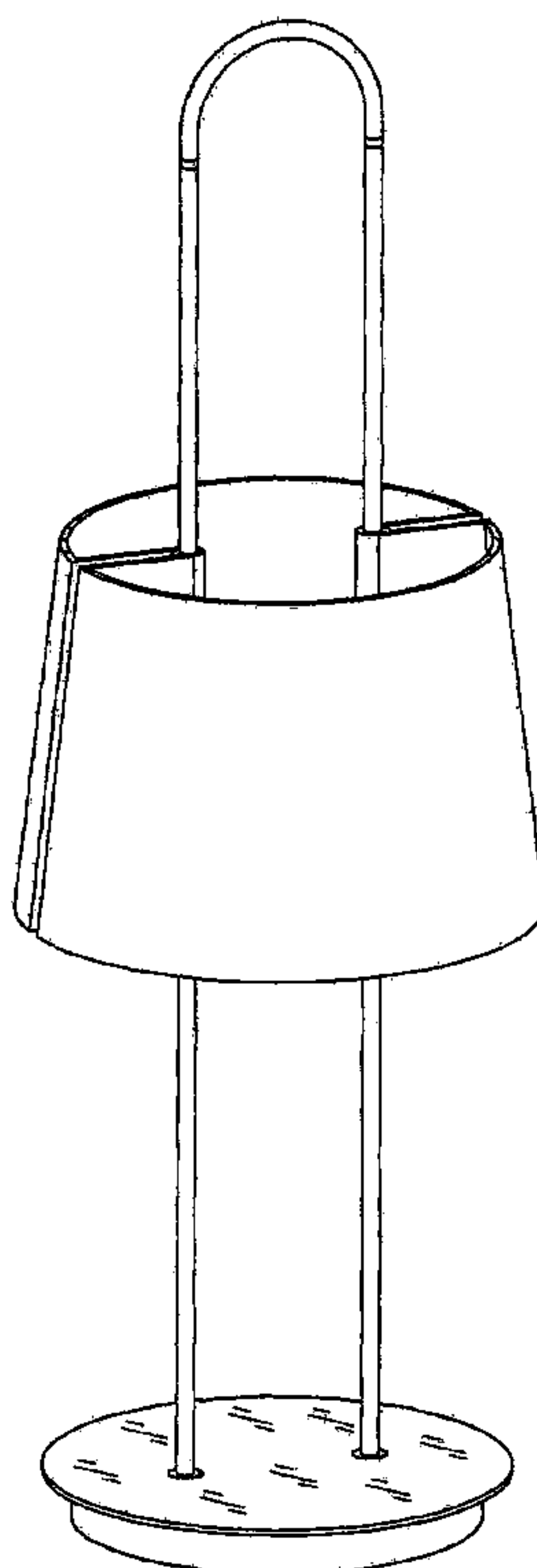
FIG. 3 is a back view thereof;

FIG. 4 is a right-side view thereof;

FIG. 5 is a left-side view thereof; and,

FIG. 6 is a perspective view thereof.

1 Claim, 6 Drawing Sheets



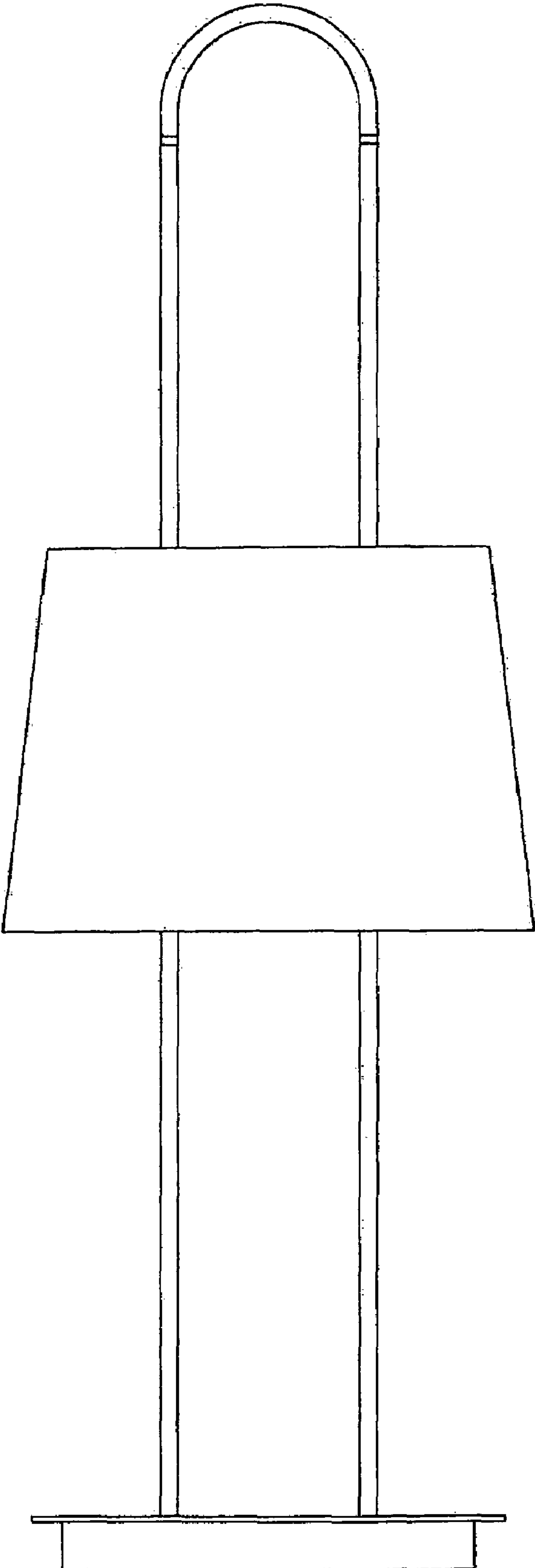


FIG. 1

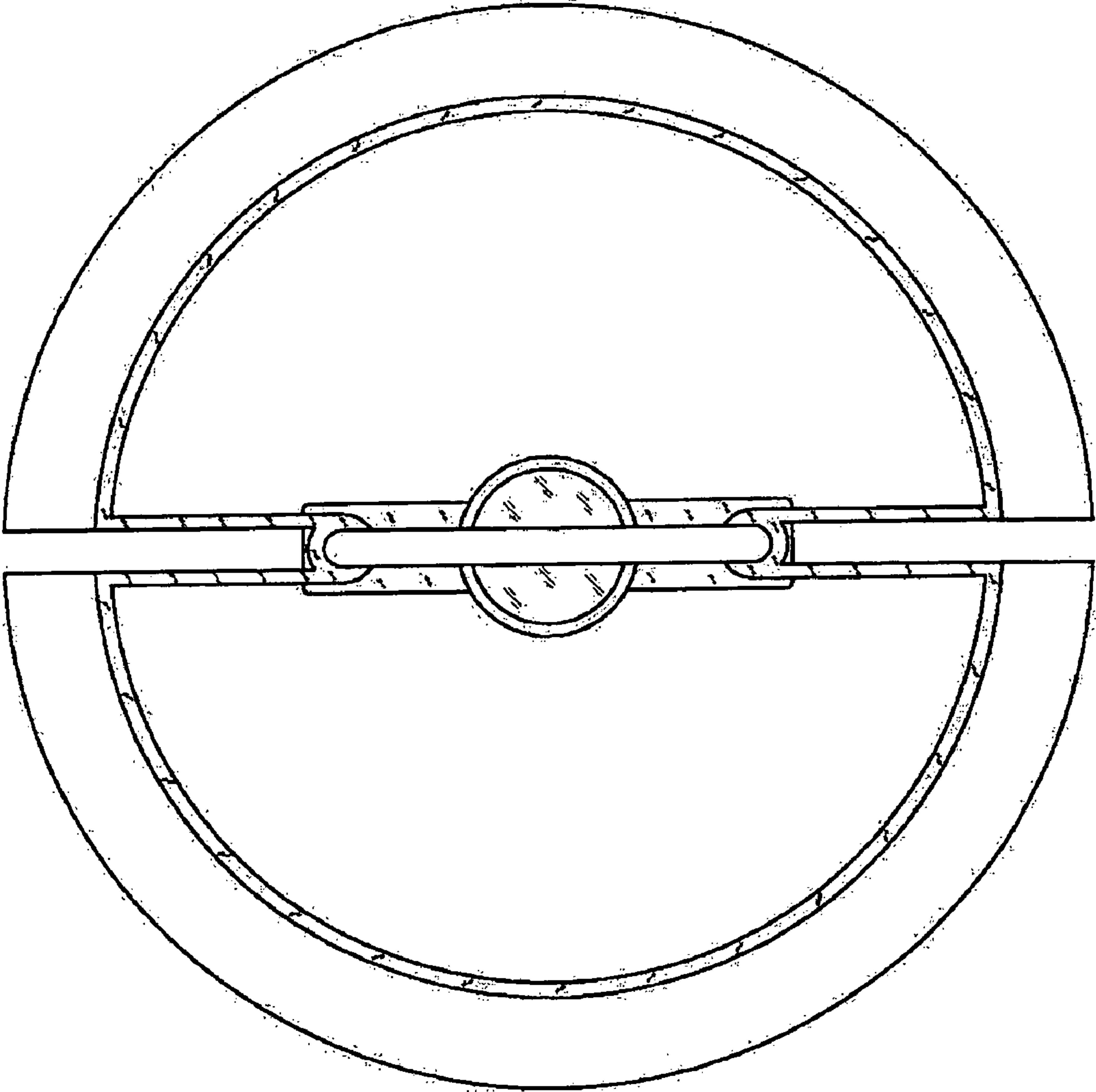


FIG. 2

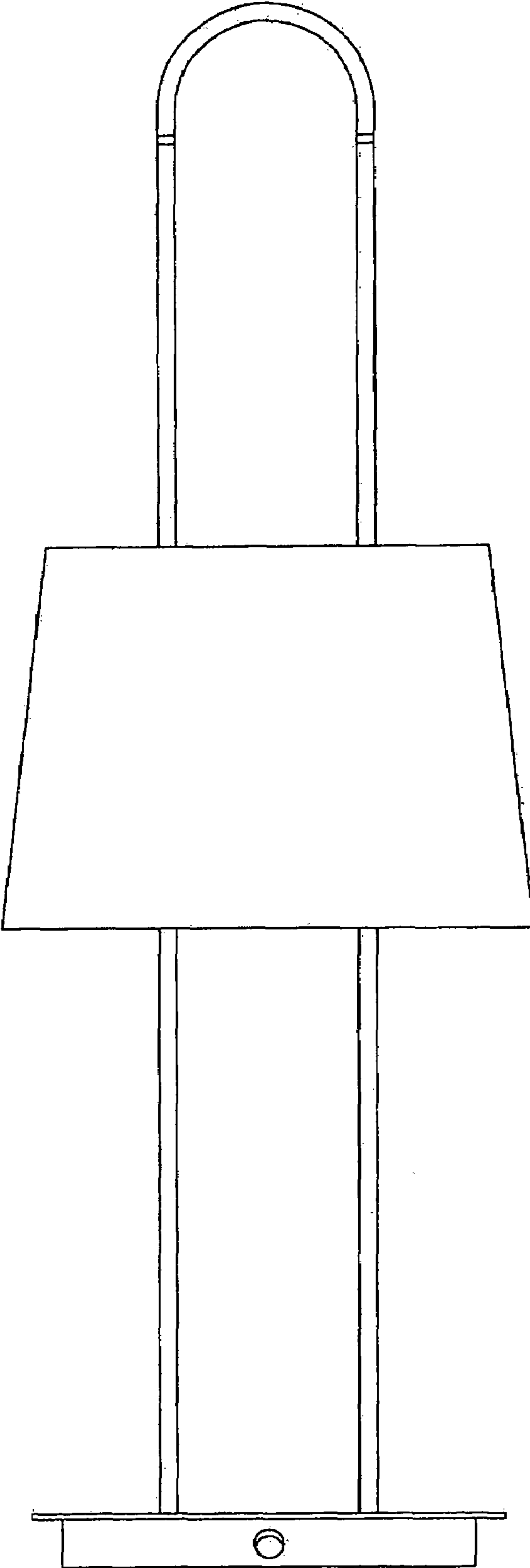


FIG. 3

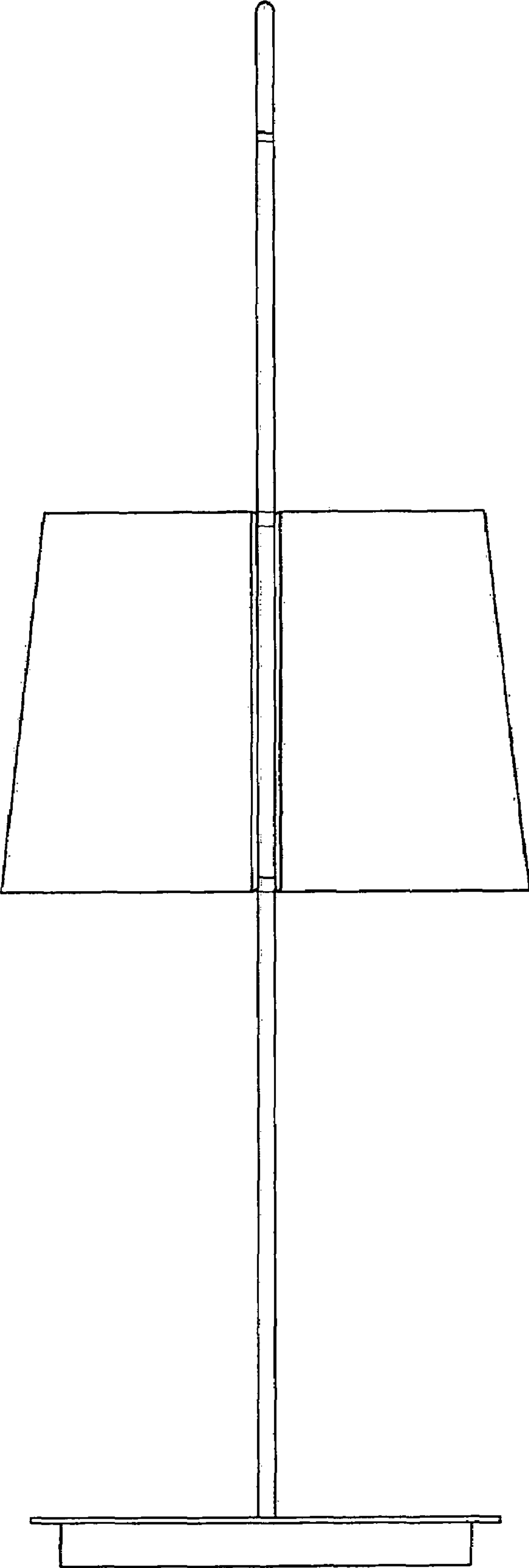


FIG. 4

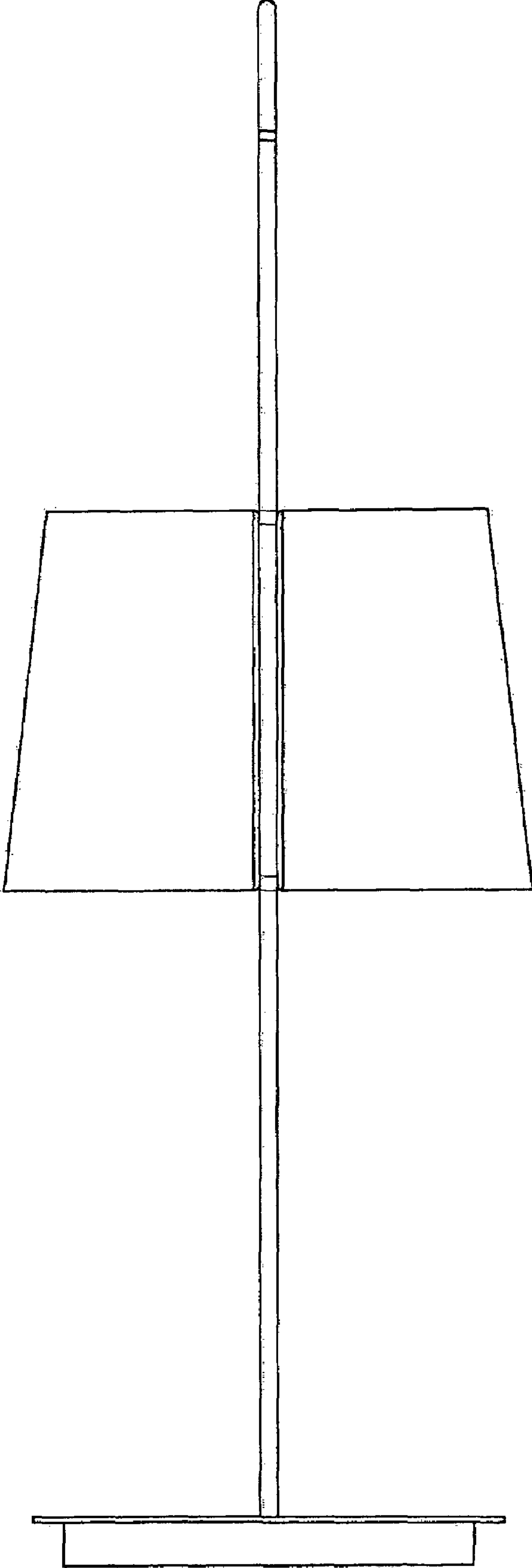


FIG. 5

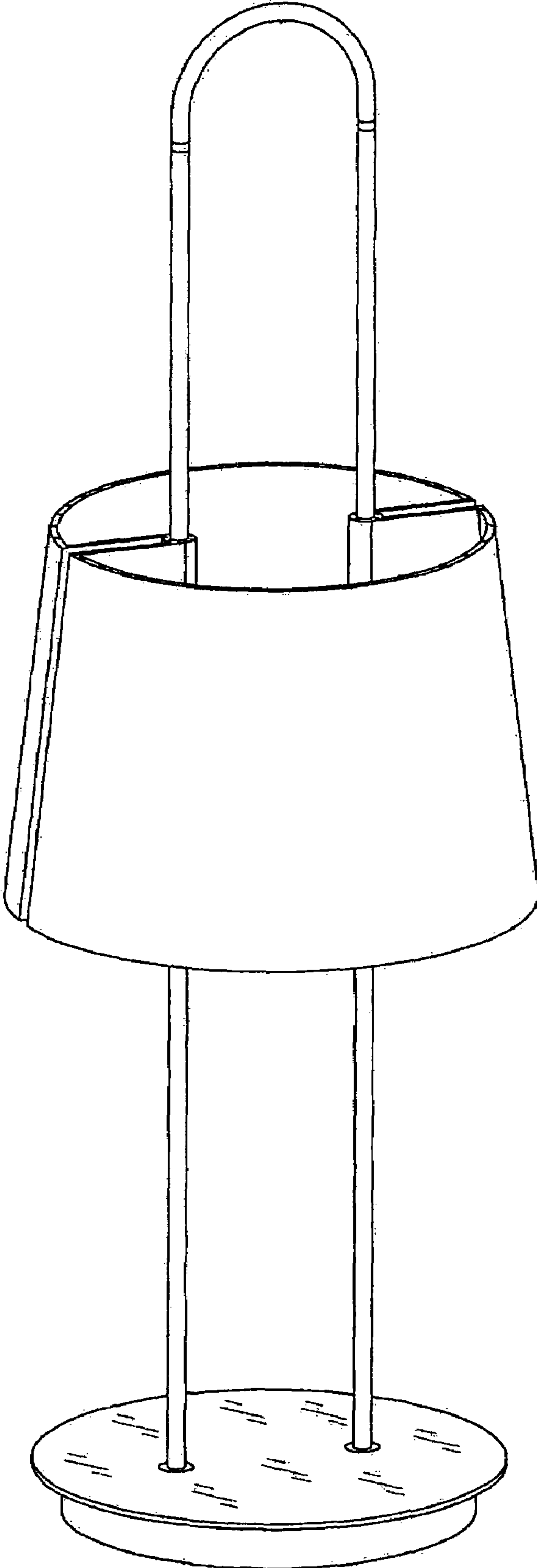


FIG. 6