



US00D601296S

(12) **United States Design Patent**
Lee et al.

(10) **Patent No.:** **US D601,296 S**
(45) **Date of Patent:** **** Sep. 29, 2009**

(54) **LIGHT FIXTURE**

(75) Inventors: **Eun Ju Lee**, New York, NY (US); **Mark W. Morton**, Bronxville, NY (US); **Michael Castelli**, West Slip, NY (US)

(73) Assignee: **Bank of America Corporation**, Charlotte, NC (US)

(**) Term: **14 Years**

(21) Appl. No.: **29/336,608**

(22) Filed: **May 6, 2009**

Related U.S. Application Data

(62) Division of application No. 29/325,133, filed on Sep. 25, 2008, now Pat. No. Des. 597,248.

(51) **LOC (9) Cl.** **26-99**

(52) **U.S. Cl.** **D26/122**

(58) **Field of Classification Search** D26/2, D26/77, 113, 128, 118, 81, 144, 138, 155, D26/121, 24, 37, 40, 42, 46, 49, 56, 60, 67, D26/71, 72, 74, 75, 76, 78, 80, 83, 85, 119, D26/120, 122, 140, 142, 143, 145, 150, 153, D26/154; D6/300, 301, 314, 313, 312, 310; 362/354, 342, 291, 290, 615, 632, 633, 147, 362/219, 223, 217.1, 217.11, 217.15, 364, 362/367, 370, 416

See application file for complete search history.

(56) **References Cited**

U.S. PATENT DOCUMENTS

1,408,597 A * 3/1922 Helvey 362/347
D112,634 S * 12/1938 Devol, Jr. D26/76
2,219,383 A 10/1940 Dillon
2,710,332 A 6/1955 Gogen

D320,283 S 9/1991 Burkarth
D329,919 S 9/1992 Jahn
D334,076 S 3/1993 Dieperink et al.
D377,231 S 1/1997 Degelmann
5,803,585 A * 9/1998 Littman et al. 362/147
D429,357 S 8/2000 Grimm
6,174,069 B1 1/2001 Plunk et al.
6,273,592 B1 8/2001 Herst et al.
6,301,770 B1 10/2001 McIlwraith
D481,824 S 11/2003 Watt
D485,932 S 1/2004 Crane
6,764,199 B2 7/2004 Hess
7,018,072 B2 * 3/2006 Mier-Langner et al. 362/285
D558,379 S * 12/2007 Citterio D26/76
2003/0099107 A1 * 5/2003 Hess 362/290
2003/0137843 A1 7/2003 Mier-Langner et al.
2005/0141216 A1 6/2005 McCarthy

* cited by examiner

Primary Examiner—Cathron C Brooks

Assistant Examiner—Kevin K Rudzinski

(74) *Attorney, Agent, or Firm*—Banner & Witcoff, Ltd.

(57) **CLAIM**

The ornamental design for a light fixture, as shown and described.

DESCRIPTION

FIG. 1 is a front perspective view of a light fixture showing our new design;

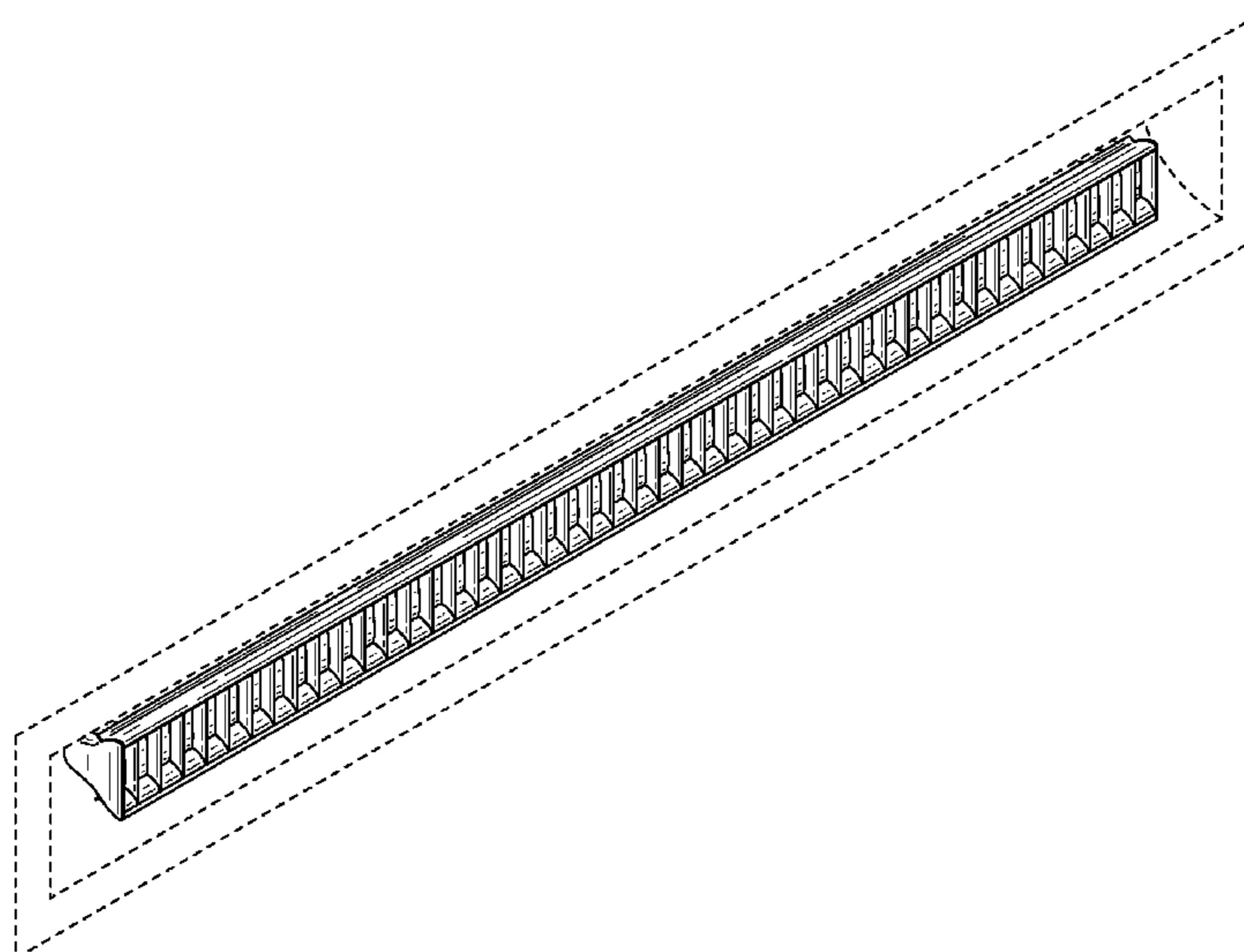
FIG. 2 is a front view thereof;

FIG. 3 is a top perspective view thereof; and,

FIG. 4 is a left side perspective view thereof.

The broken line showing of various regions and the unshaded areas therein form no part of the claimed design.

1 Claim, 2 Drawing Sheets



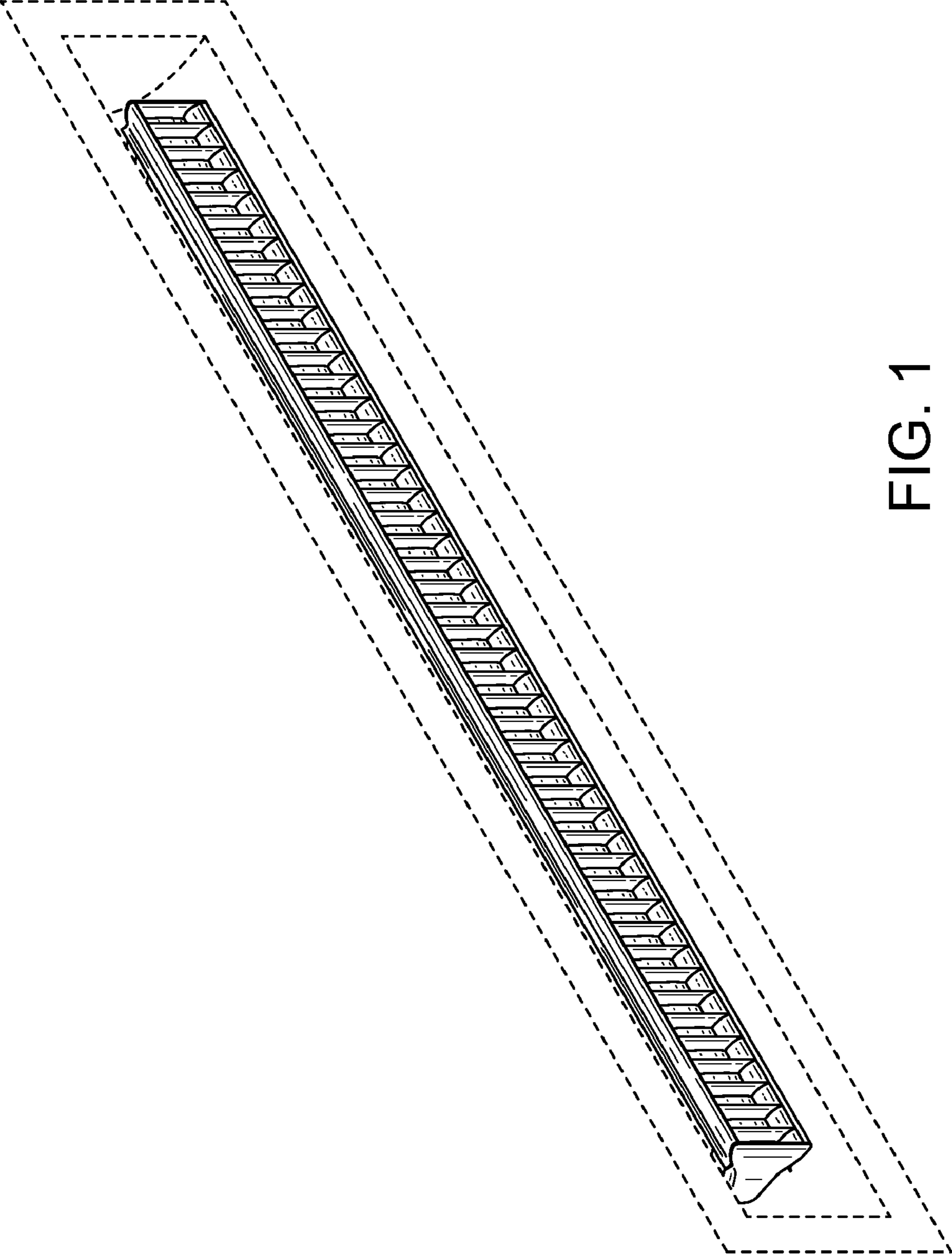


FIG. 1

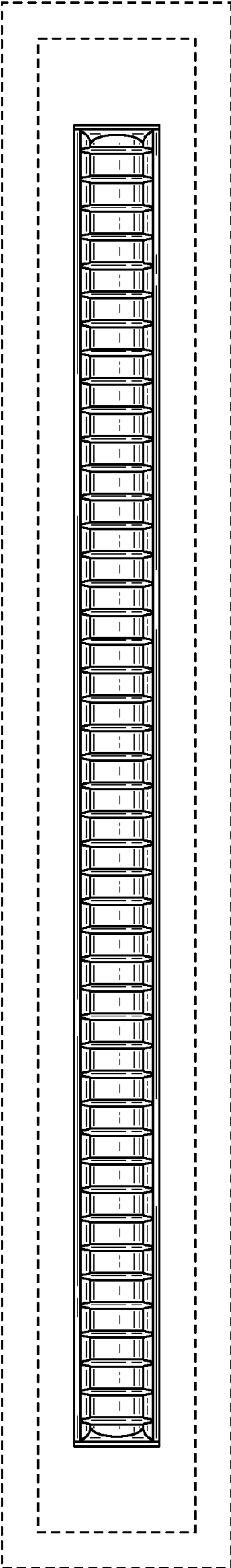


FIG. 2

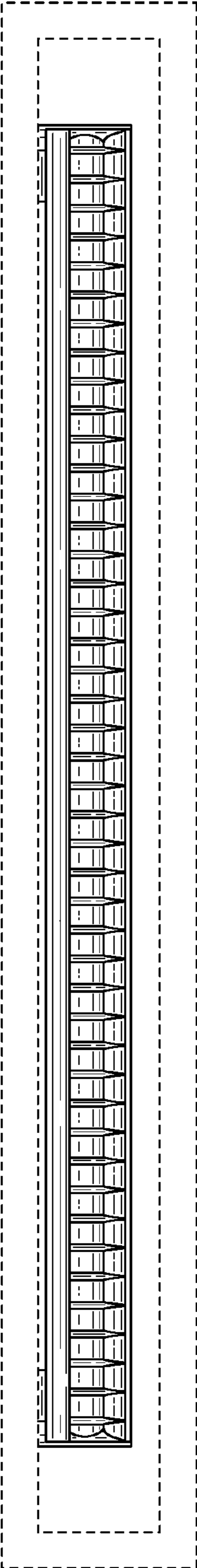


FIG. 3

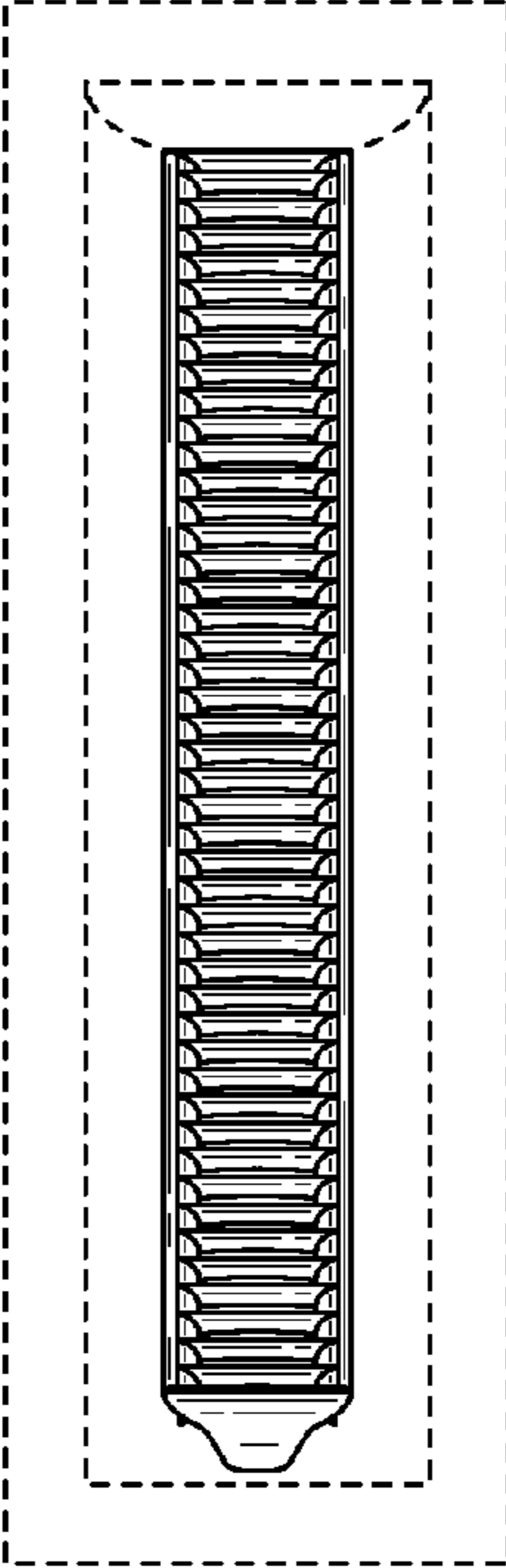


FIG. 4