



US00D601293S

(12) **United States Design Patent**
MacKenzie

(10) **Patent No.:** **US D601,293 S**

(45) **Date of Patent:** **** Sep. 29, 2009**

(54) **LIGHT FITTING**

(75) Inventor: **Thomas MacKenzie**, Christchurch (NZ)

(73) Assignee: **Intellectual Property Energy MAD Limited, c/o Grant Thornton**, Christchurch (NZ)

(**) Term: **14 Years**

(21) Appl. No.: **29/324,727**

(22) Filed: **Sep. 18, 2008**

(30) **Foreign Application Priority Data**

Mar. 20, 2008 (NZ) 410595

(51) **LOC (9) Cl.** **26-05**

(52) **U.S. Cl.** **D26/74**

(58) **Field of Classification Search** D26/24-28, D26/37, 63, 67-68, 72, 74-78, 80, 85, 87-89, D26/104, 108, 118, 120-122; 362/17, 132-133, 362/145, 147-150, 155-157, 217-225, 228, 362/231, 260, 262-264, 267, 295, 294, 310, 362/345, 362, 364, 249, 365, 368, 431, 432, 362/440, 800; D10/111, 114; 40/565; 404/7
See application file for complete search history.

(56) **References Cited**

U.S. PATENT DOCUMENTS

4,363,086 A * 12/1982 Fletcher 362/368
4,761,721 A * 8/1988 Willing 362/348
5,552,348 A * 9/1996 Wu 439/419
5,800,050 A * 9/1998 Leadford 362/296
5,967,640 A * 10/1999 Moriyama et al. 362/147
6,168,299 B1 * 1/2001 Yan 362/365
D448,880 S * 10/2001 Benghozi D26/74

6,343,873 B1 * 2/2002 Eberhard et al. 362/364
D551,384 S * 9/2007 Rashidi D26/118
D574,541 S * 8/2008 Matsumoto et al. D26/74
D581,083 S * 11/2008 Chan et al. D26/74
2006/0087850 A1 * 4/2006 Thompson et al. 362/362
2008/0080195 A1 * 4/2008 Steadman et al. 362/364

* cited by examiner

Primary Examiner—Philip S Hyder

Assistant Examiner—Susan E Krakower

(74) *Attorney, Agent, or Firm*—Greer, Burns & Crain, Ltd.

(57) **CLAIM**

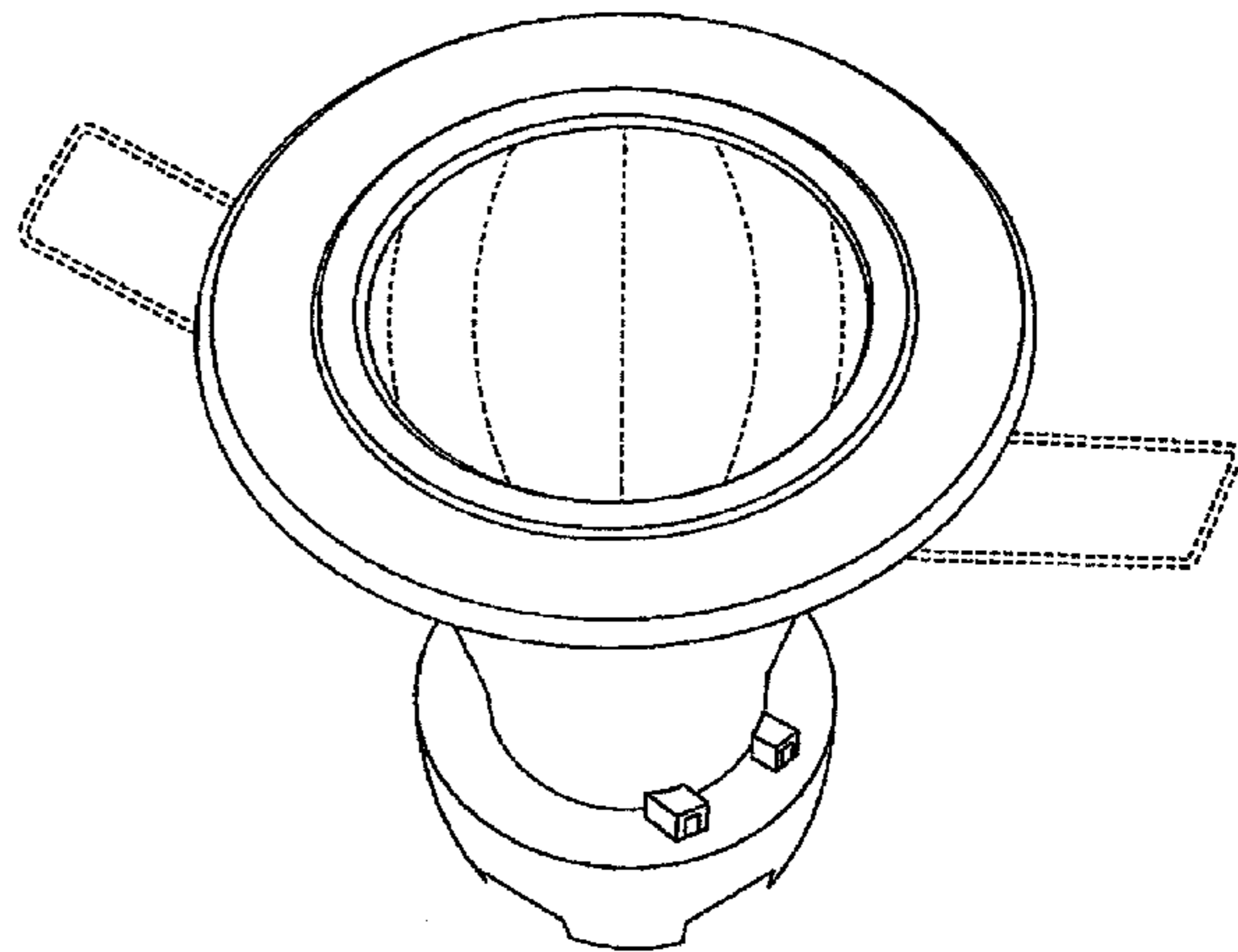
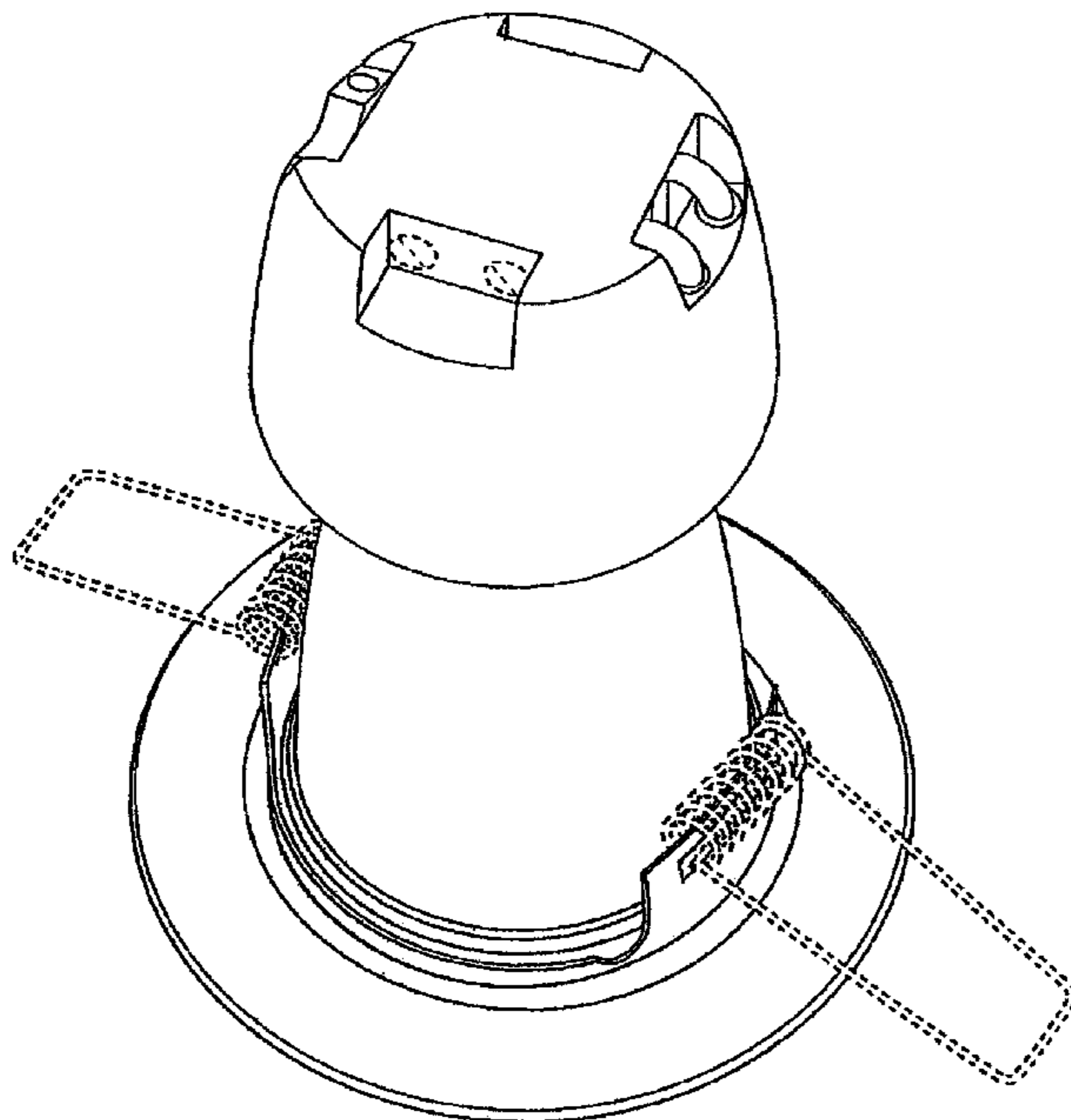
The ornamental design for a light fitting, as shown and described.

DESCRIPTION

FIG. 1 is a top perspective view of the present light fitting;
FIG. 2 is a top view of same;
FIG. 3 is a bottom view of the light fitting of FIG. 1;
FIG. 4 is a bottom perspective view of the light fitting of FIG. 1;
FIG. 5 is a front view of same, the rear view being identical;
FIG. 6 is a left side view of same;
FIG. 7 is a right side view;
FIG. 8 is an alternate bottom view of the present light fitting with a bulb shown in broken lines; and,
FIG. 9 is an alternate bottom perspective view with a bulb shown in broken lines.

The broken lines illustrate environmental structure and form no part of the claimed invention.

1 Claim, 8 Drawing Sheets



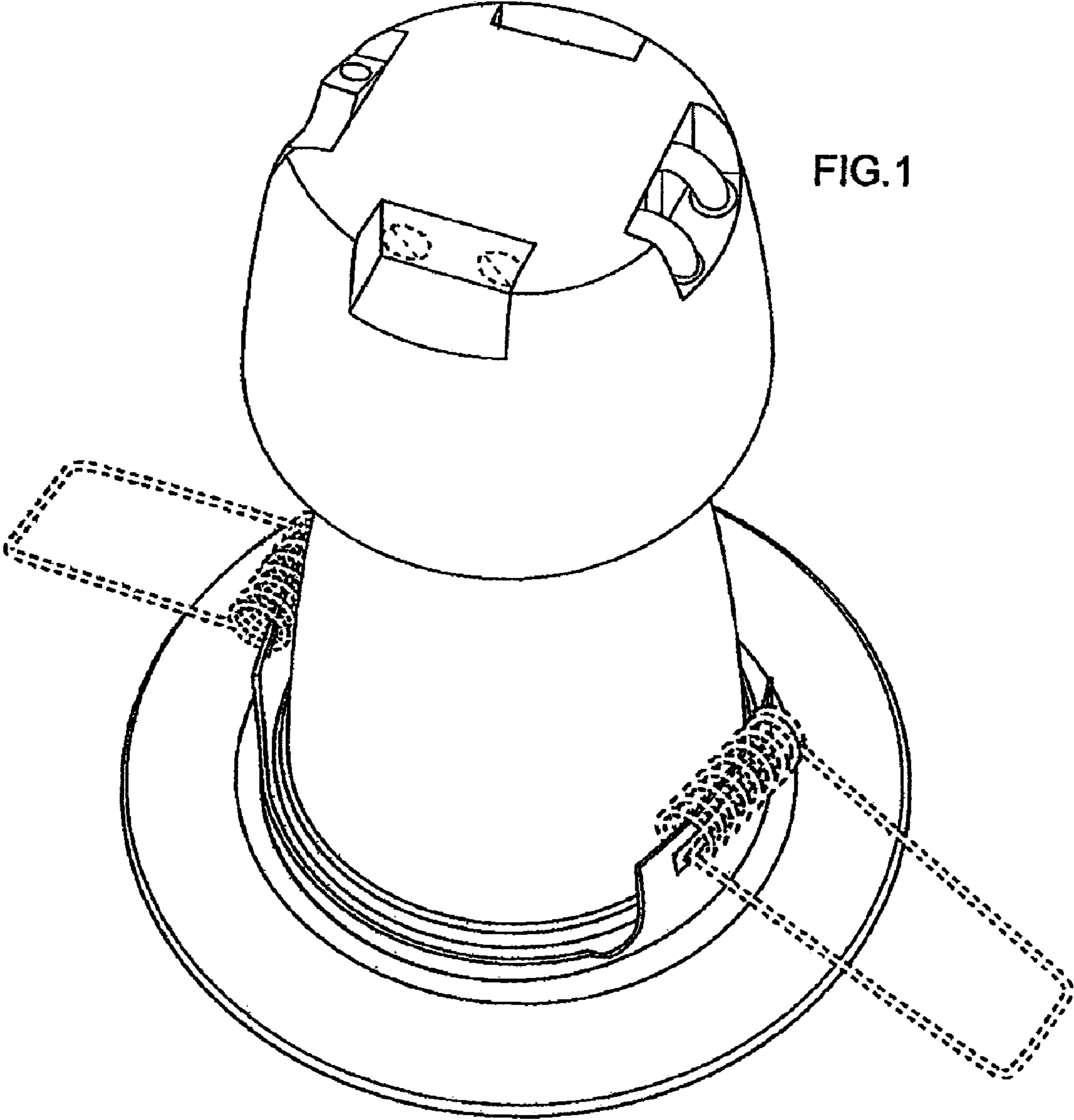
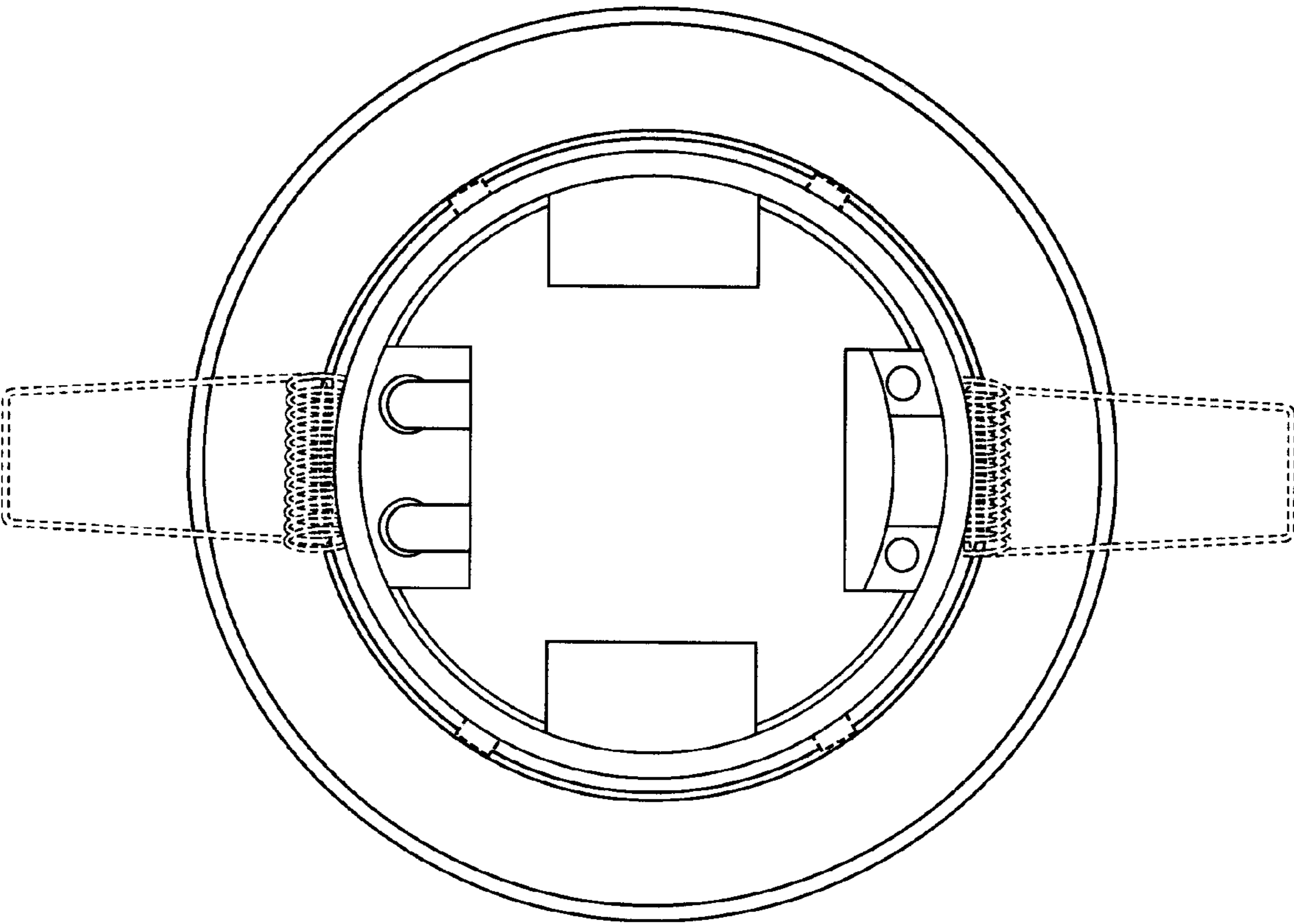


FIG.2



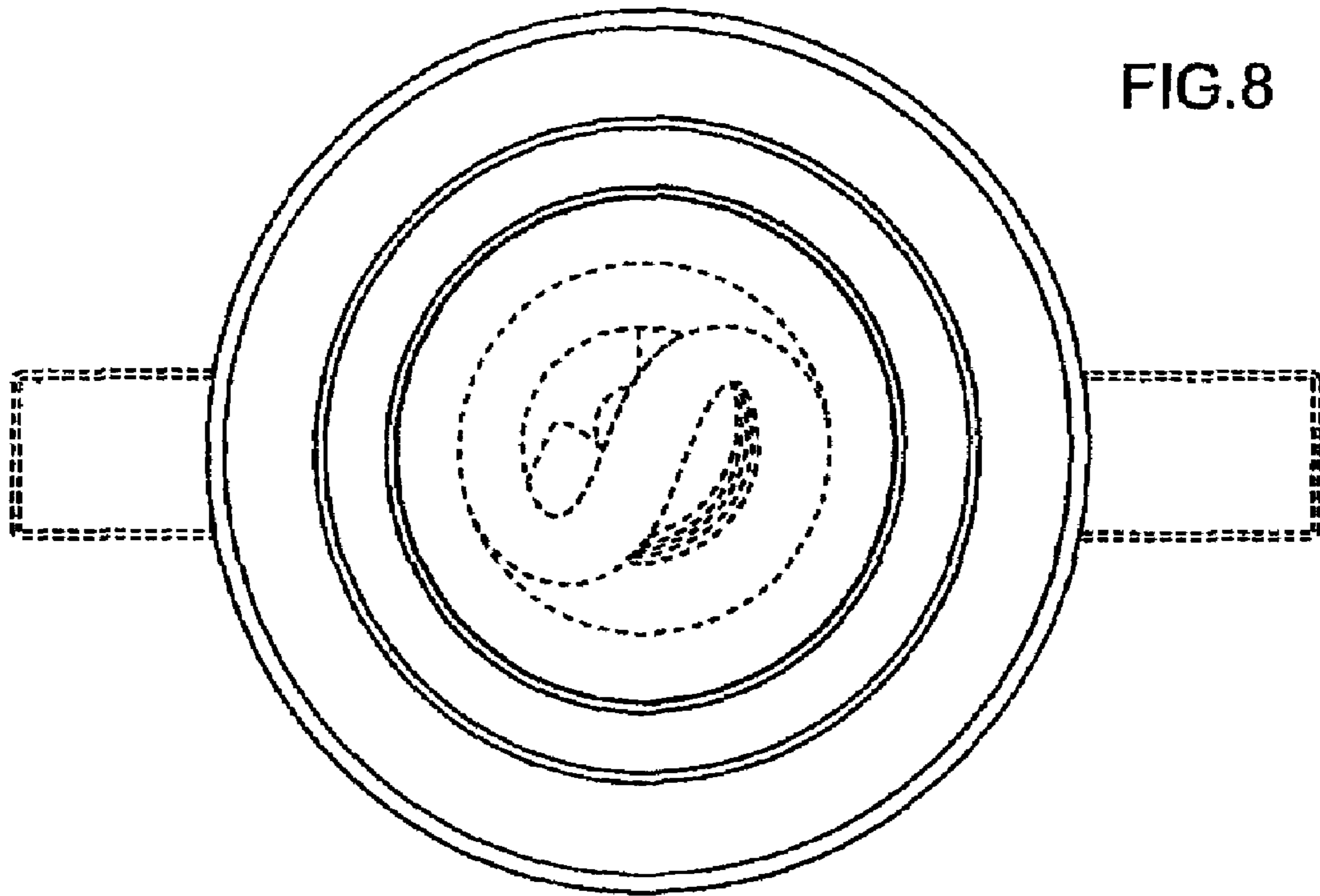
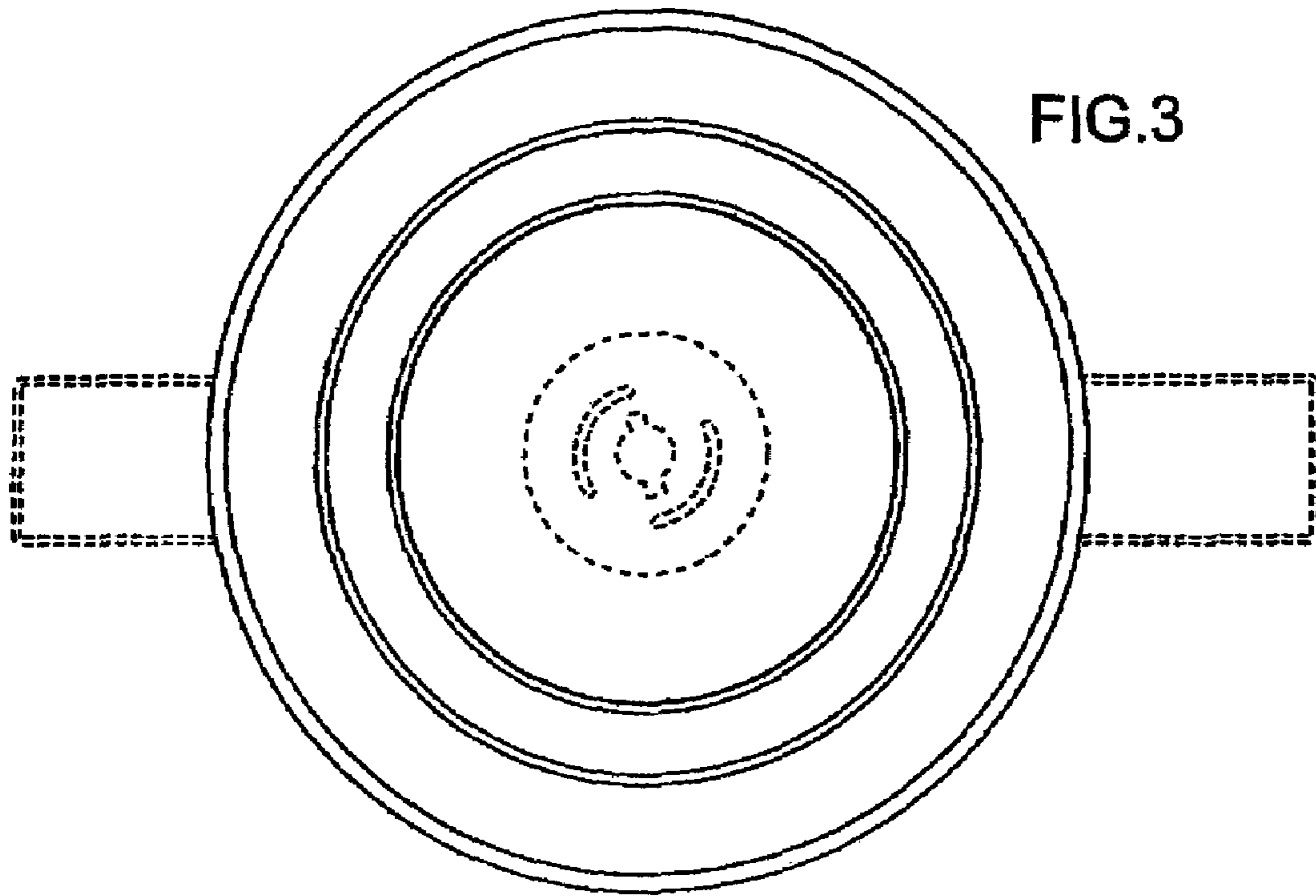


FIG.4

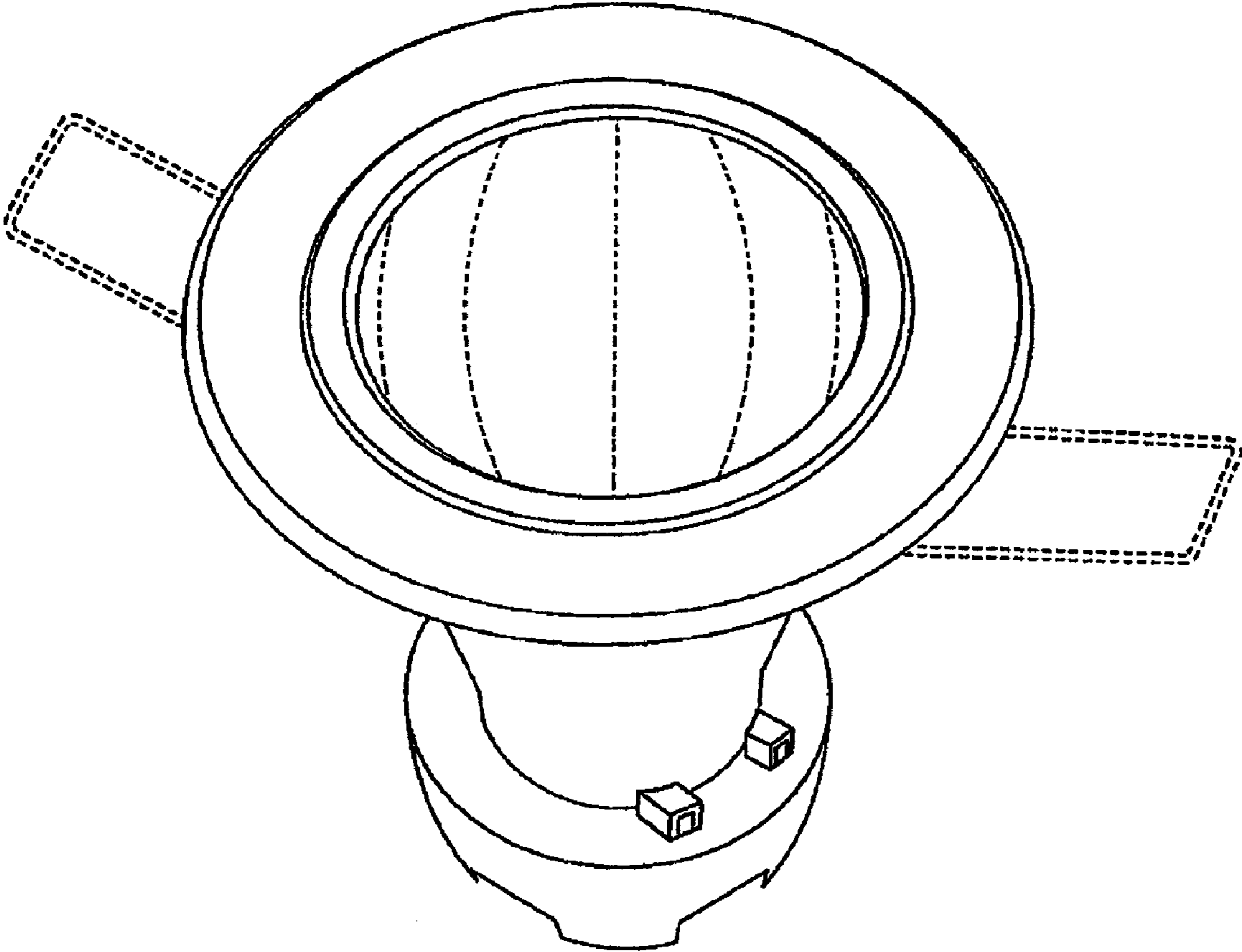


FIG.5

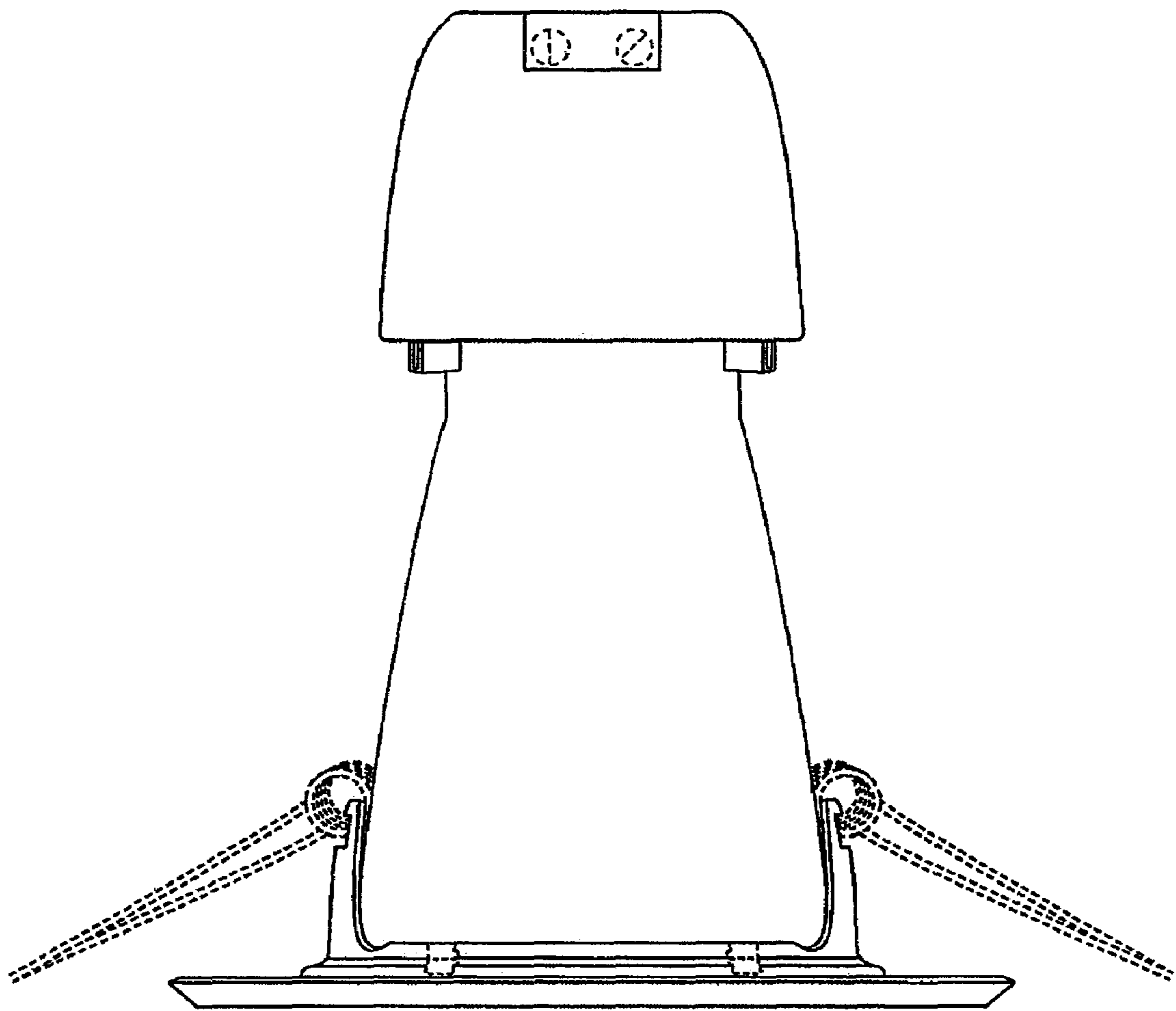


FIG.6

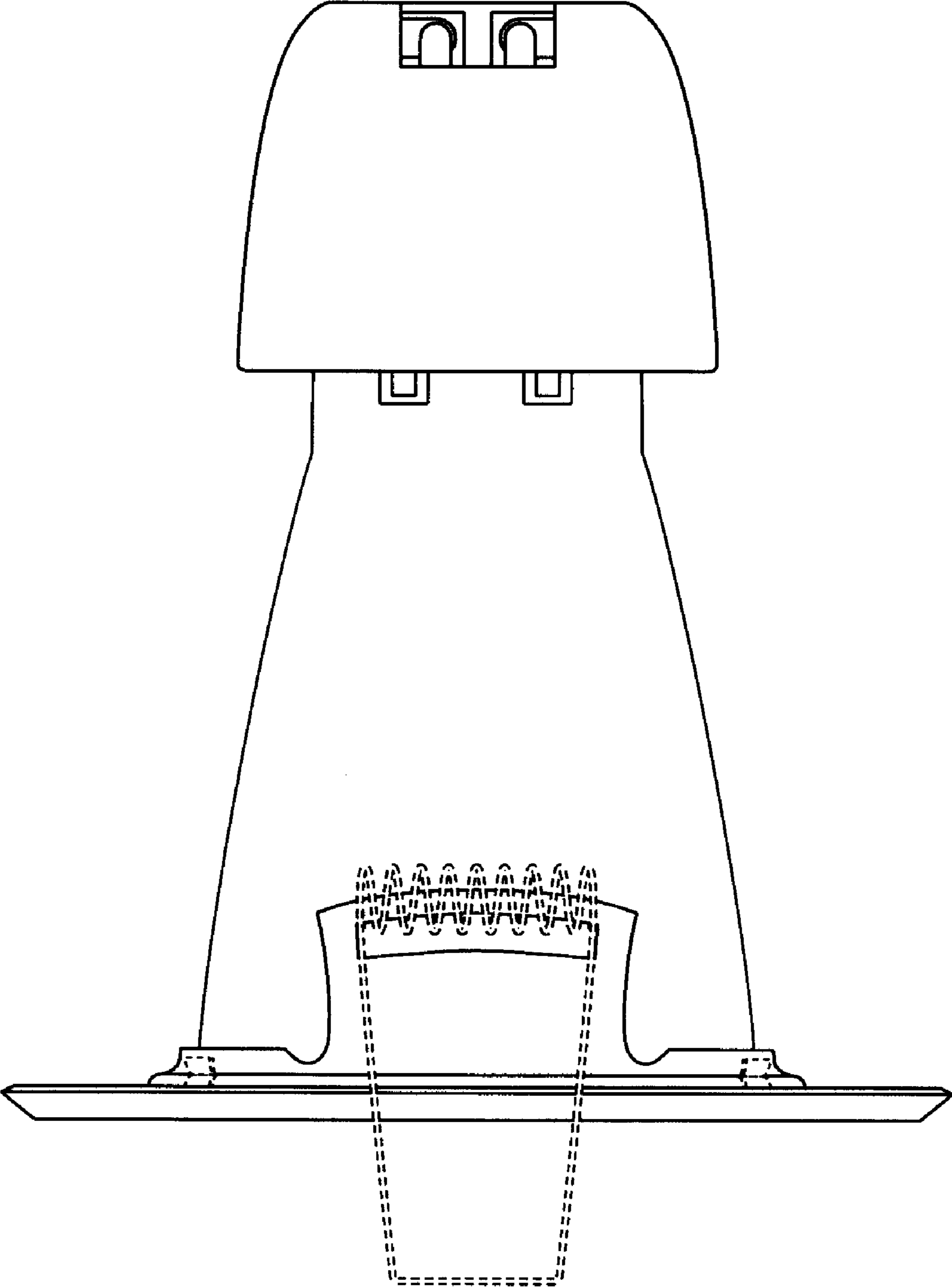


FIG.7

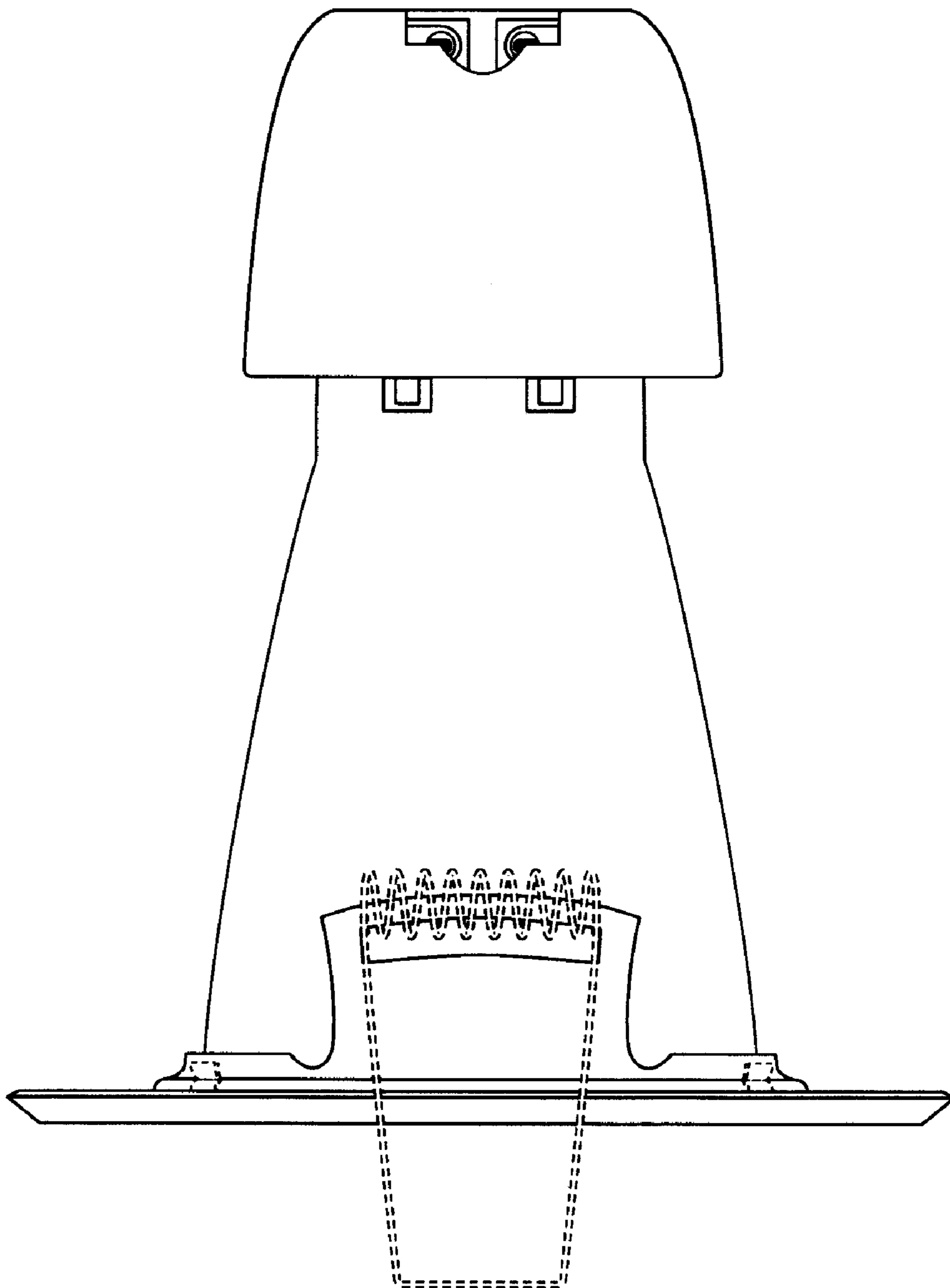


FIG.9

