



US00D601291S

(12) **United States Design Patent**
Nankil

(10) **Patent No.:** **US D601,291 S**

(45) **Date of Patent:** **** Sep. 29, 2009**

(54) **LIGHT FIXTURE HAVING A REFLECTIVE COVER**

(75) Inventor: **Robert R. Nankil**, Buena Park, CA (US)

(73) Assignee: **Hubbell Incorporated**, Orange, CT (US)

(**) Term: **14 Years**

(21) Appl. No.: **29/311,043**

(22) Filed: **Dec. 15, 2008**

(51) **LOC (9) Cl.** **26-05**

(52) **U.S. Cl.** **D26/67**

(58) **Field of Classification Search** D26/67-72,
D26/85; 362/183, 431, 152-153.1
See application file for complete search history.

(56) **References Cited**

U.S. PATENT DOCUMENTS

543,730 A 7/1895 Heap

(Continued)

FOREIGN PATENT DOCUMENTS

GB	D1050722	8/1988
GB	D2047164	8/1995
GB	D2101128	4/2001

OTHER PUBLICATIONS

Architectural Area Lighting brochure for "Indirect/Cubic Indirect" © 2008 (20 pages).*

Selux Corp., Ritorno Round Asymmetrical Specification, at least as early as Jun. 2008, Selux Catalog, pp. RRA-0105-01 through RRA-0105-04, vol. ss-V3.21, Selux Corp., Highland, NY.

Bega/US, Pole Mounted Luminaires with Totally Indirect Optical System, Bega Catalog, Jun. 2002, Bega/US, Carpinteria, CA.

Hess America, Faro, Campo, Aviano Lighting Fixtures, at least as early as Jun. 2008, Hess America Catalog, Hess America, USA.

Primary Examiner—Clare E Heflin

(74) *Attorney, Agent, or Firm*—Jenae C. Gureff; Mark S. Bicks; Alfred N. Goodman

(57) **CLAIM**

The ornamental design for a light fixture having a reflective cover, as shown and described.

DESCRIPTION

FIG. 1 is a top plan view of a light fixture having a reflective cover in accordance with a first embodiment of the present invention;

FIG. 2 is a top perspective view thereof;

FIG. 3 is a front elevational view thereof;

FIG. 4 is a left side elevational view thereof, the right side elevational view being the mirror image thereof;

FIG. 5 is a bottom plan view thereof;

FIG. 6 is a bottom perspective view thereof;

FIG. 7 is a top plan view of a light fixture having a reflective cover in accordance with a second embodiment of the present invention;

FIG. 8 is a top perspective view thereof;

FIG. 9 is a front elevational view thereof;

FIG. 10 is a left side elevational view thereof, the right side elevational view being the mirror image thereof;

FIG. 11 is a bottom plan view thereof;

FIG. 12 is a bottom perspective view thereof;

FIG. 13 is a top plan view of a light fixture having a reflective cover in accordance with a third embodiment of the present invention;

FIG. 14 is a top perspective view thereof;

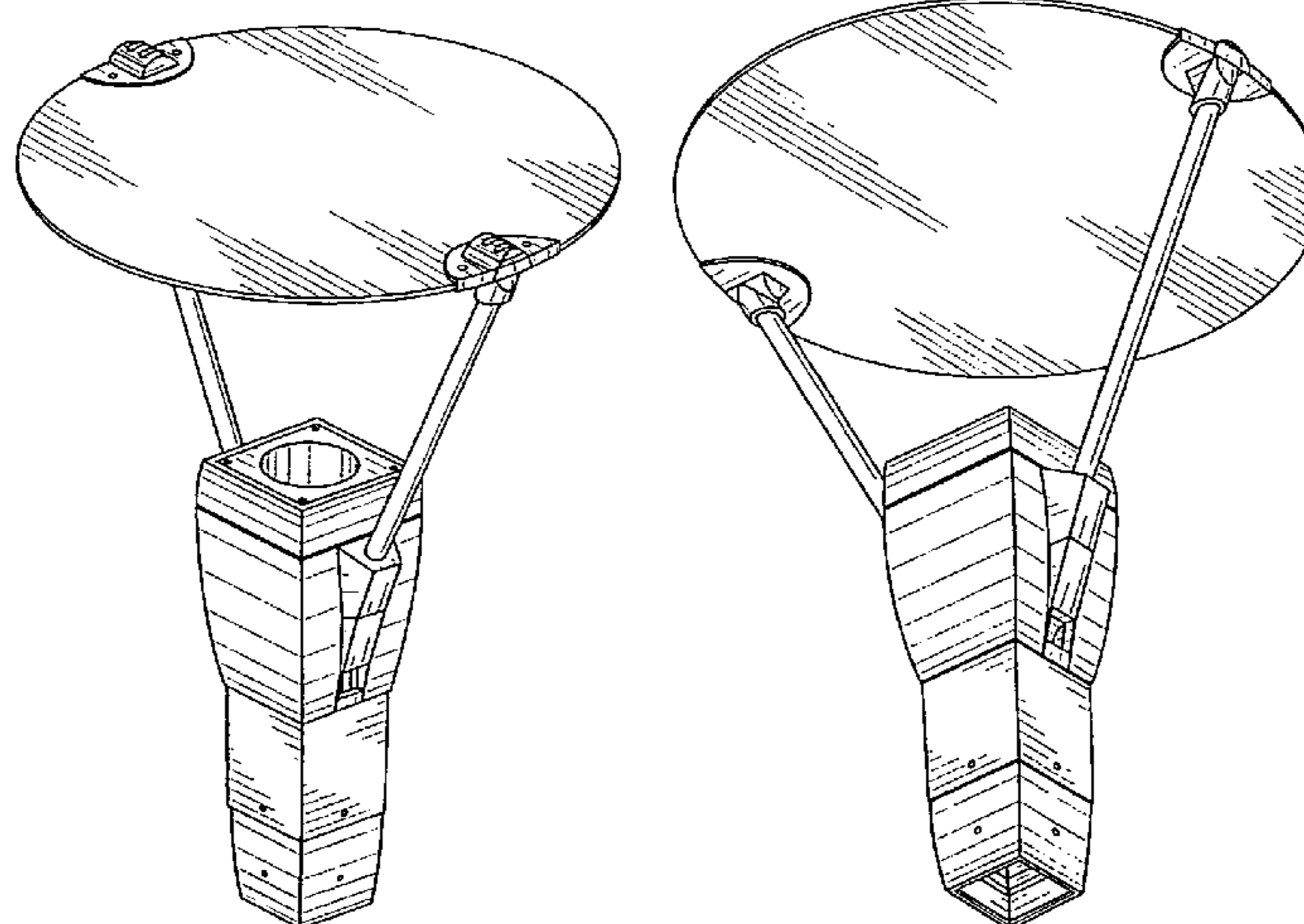
FIG. 15 is a front elevational view thereof;

FIG. 16 is a left side elevational view thereof, the right side elevational view being the mirror image thereof;

FIG. 17 is a bottom plan view thereof; and,

FIG. 18 is a bottom perspective view thereof.

1 Claim, 9 Drawing Sheets



US D601,291 S

Page 2

U.S. PATENT DOCUMENTS

D191,128 S *	8/1961	Curtin et al.	D26/67	D344,359 S	2/1994	Matos	
D199,802 S *	12/1964	Turner et al.	D26/67	5,384,694 A	1/1995	Yang	
D200,214 S *	2/1965	Simon	D26/67	5,402,327 A	3/1995	Gordin et al.	
3,805,055 A	4/1974	Cassey		D391,666 S	3/1998	Lavy	
3,833,804 A	9/1974	Vesely		D427,350 S	6/2000	Landefeld	
D264,136 S	4/1982	Castiglioni		D436,211 S	1/2001	Neeld et al.	
D284,223 S *	6/1986	Harvey	D26/67	D468,478 S *	1/2003	Landefeld et al.	D26/106
D296,369 S *	6/1988	Harvey	D26/67	6,533,446 B2	3/2003	Chen et al.	
D302,333 S	7/1989	Mason		D500,573 S *	1/2005	Emory et al.	D26/138
4,969,073 A	11/1990	Isenga		D506,281 S *	6/2005	Randazzo et al.	D26/67
4,969,074 A	11/1990	Davis et al.		D515,231 S	2/2006	Randazzo et al.	
5,105,347 A	4/1992	Ruud et al.		D517,233 S *	3/2006	Doppelt	D26/67
5,134,550 A	7/1992	Young		D565,225 S *	3/2008	Haugaard et al.	D26/67

* cited by examiner

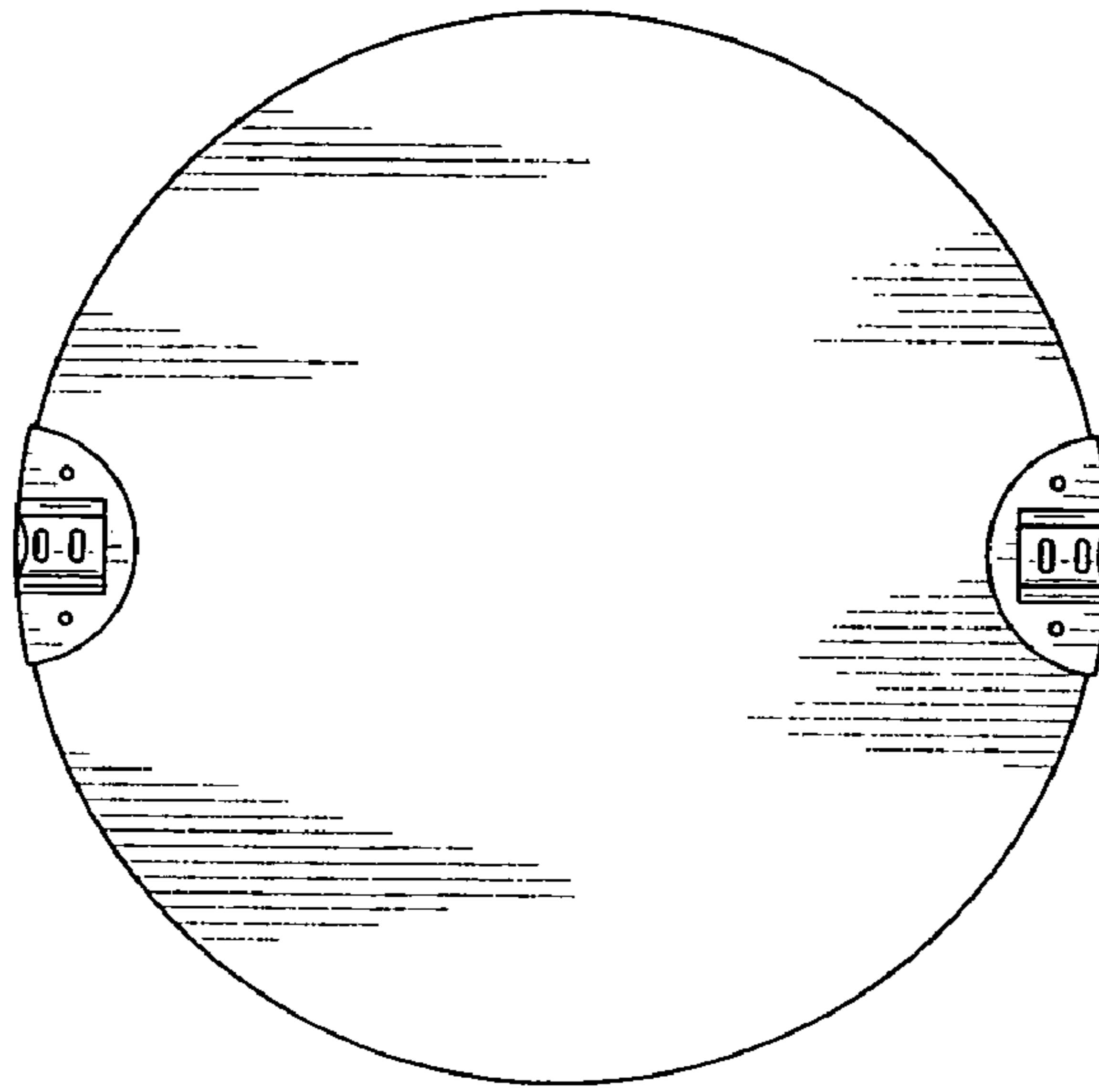


FIG. 1

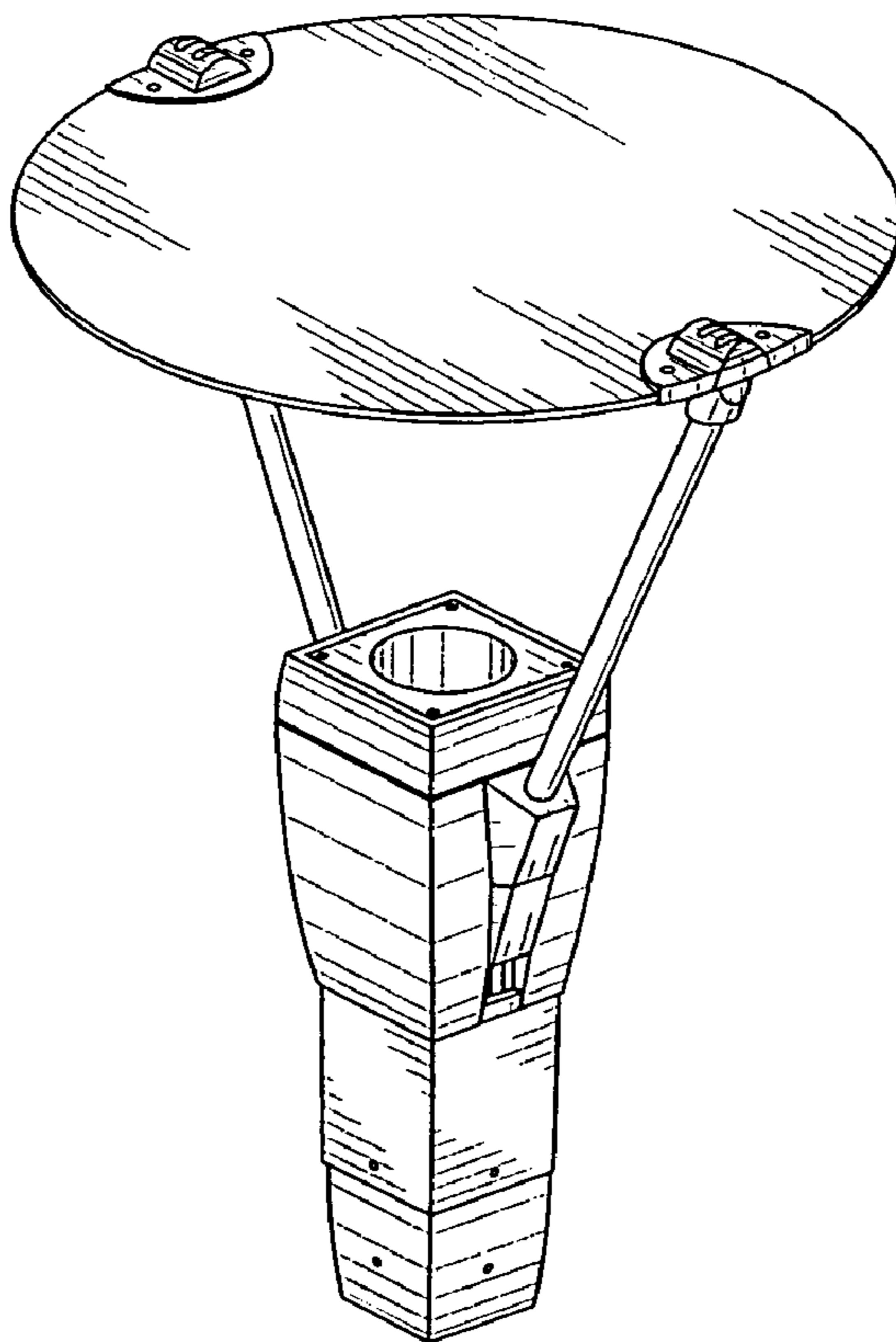


FIG. 2

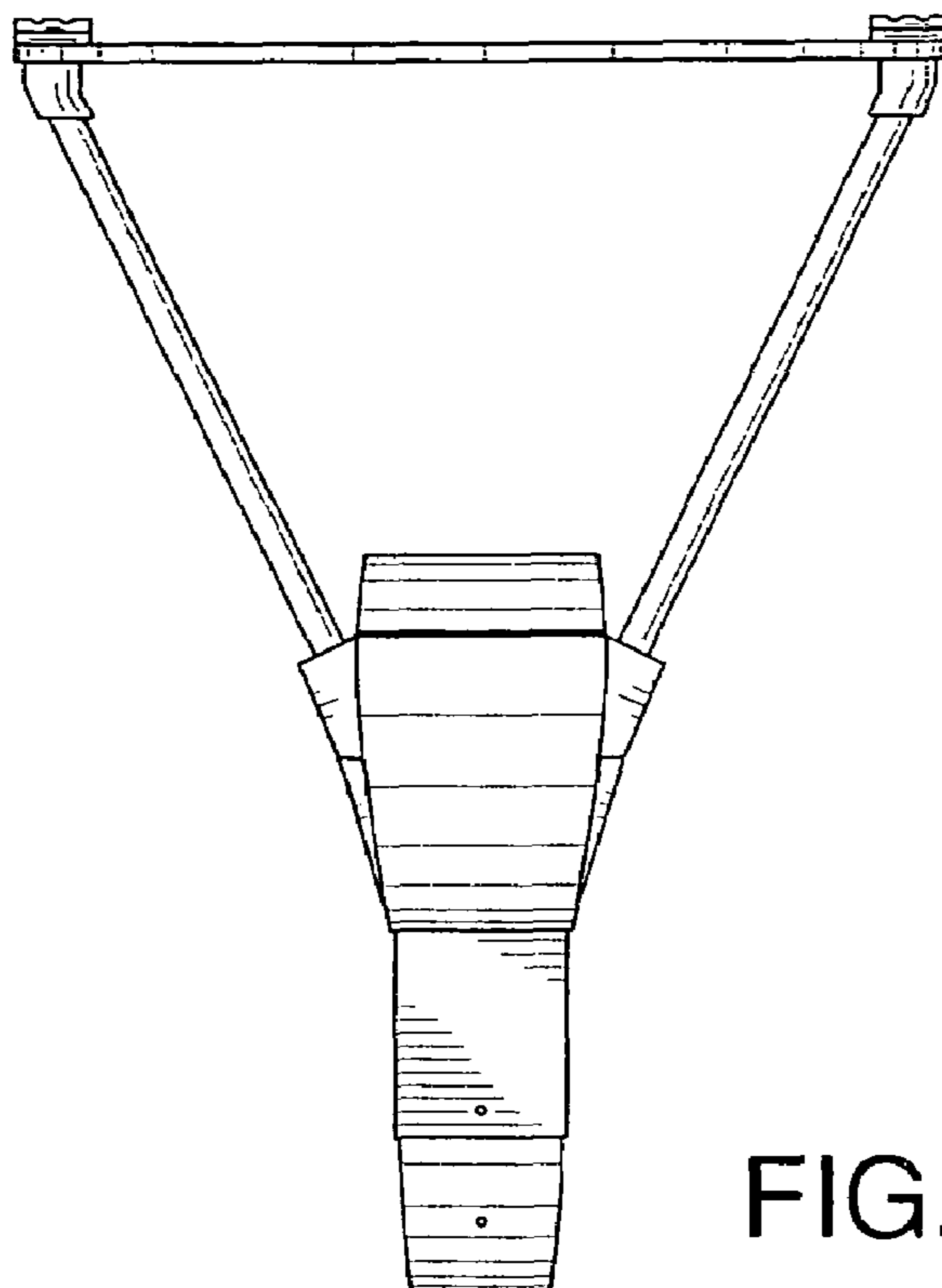


FIG. 3

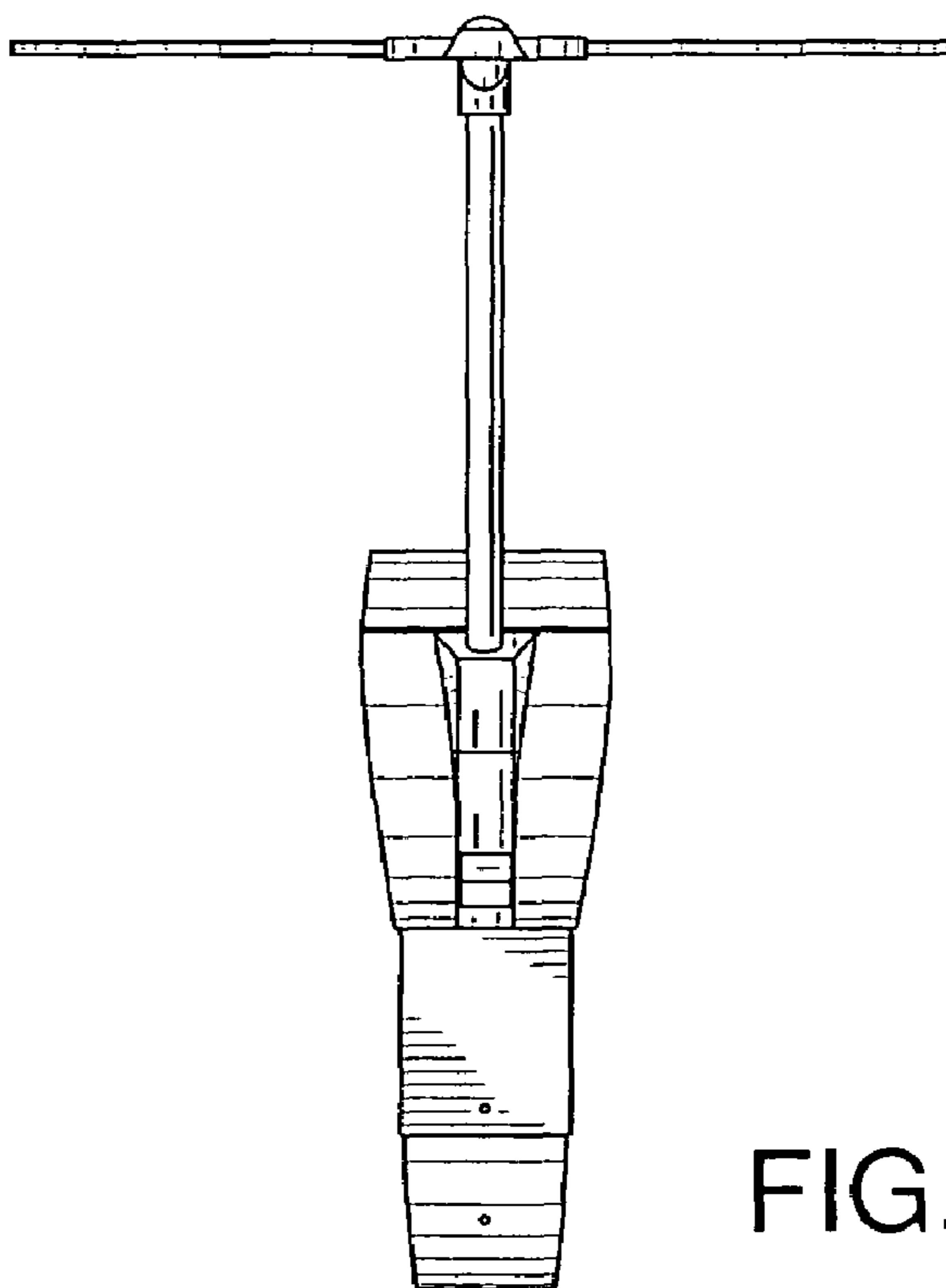


FIG. 4

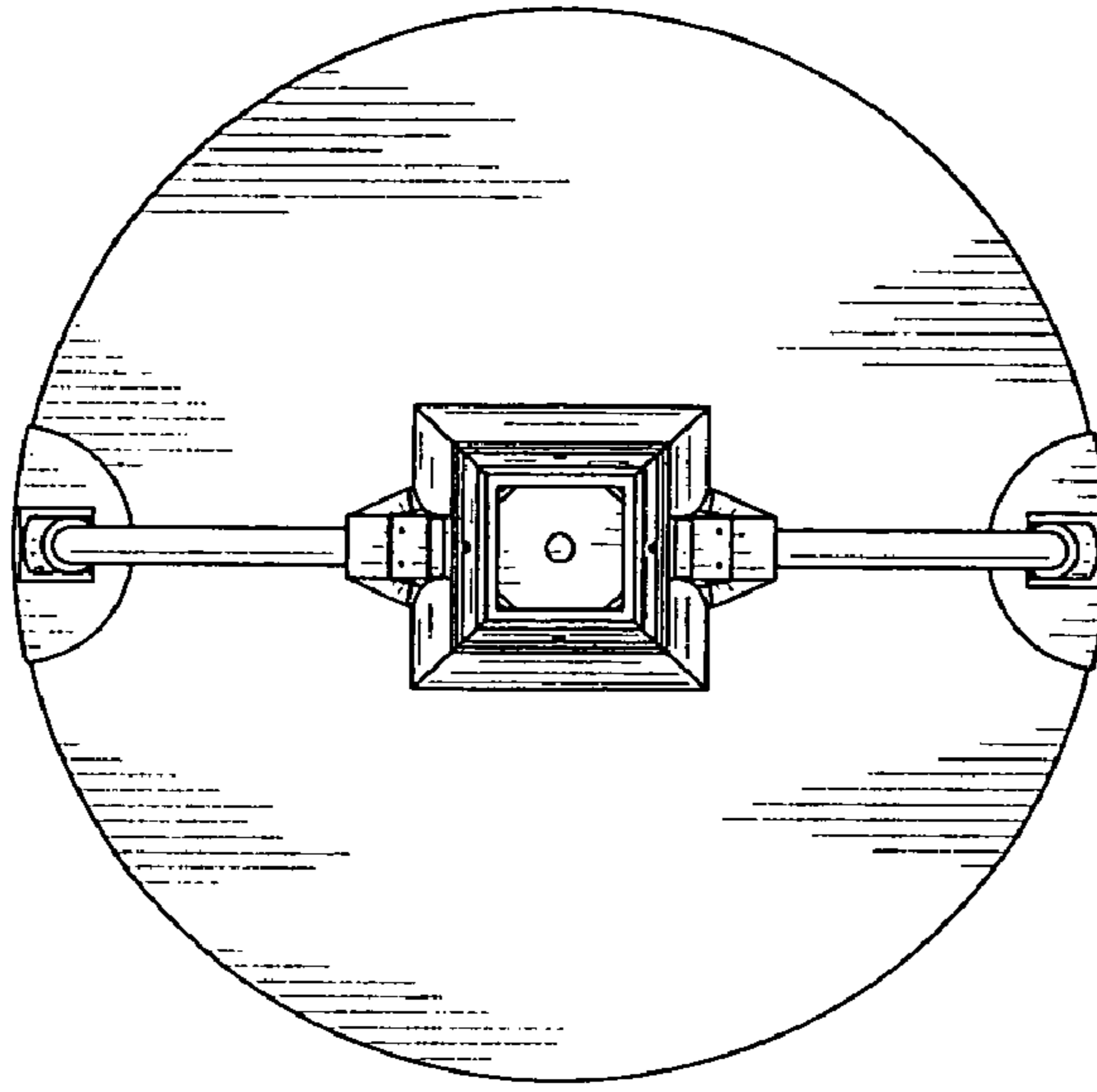


FIG. 5

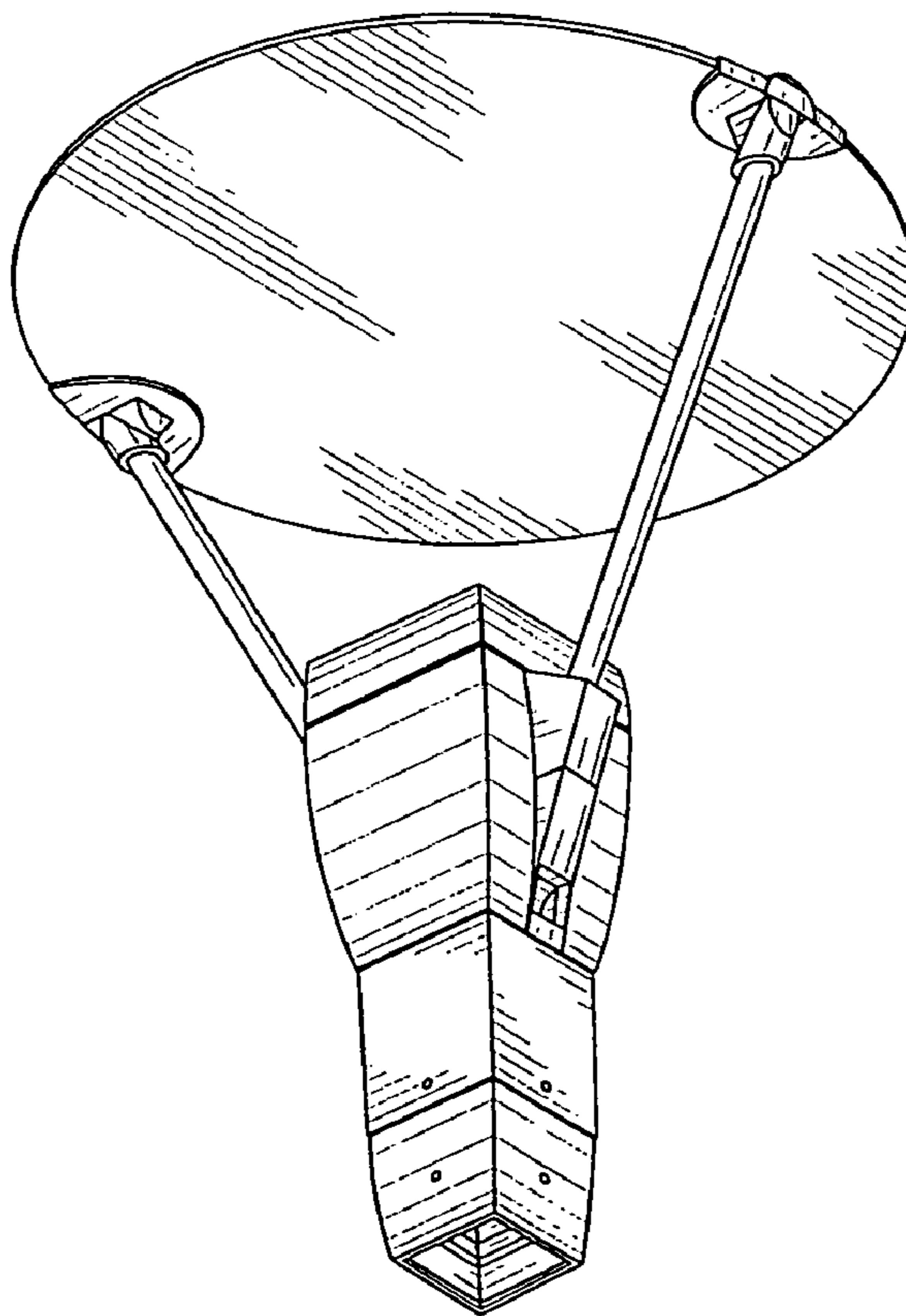


FIG. 6

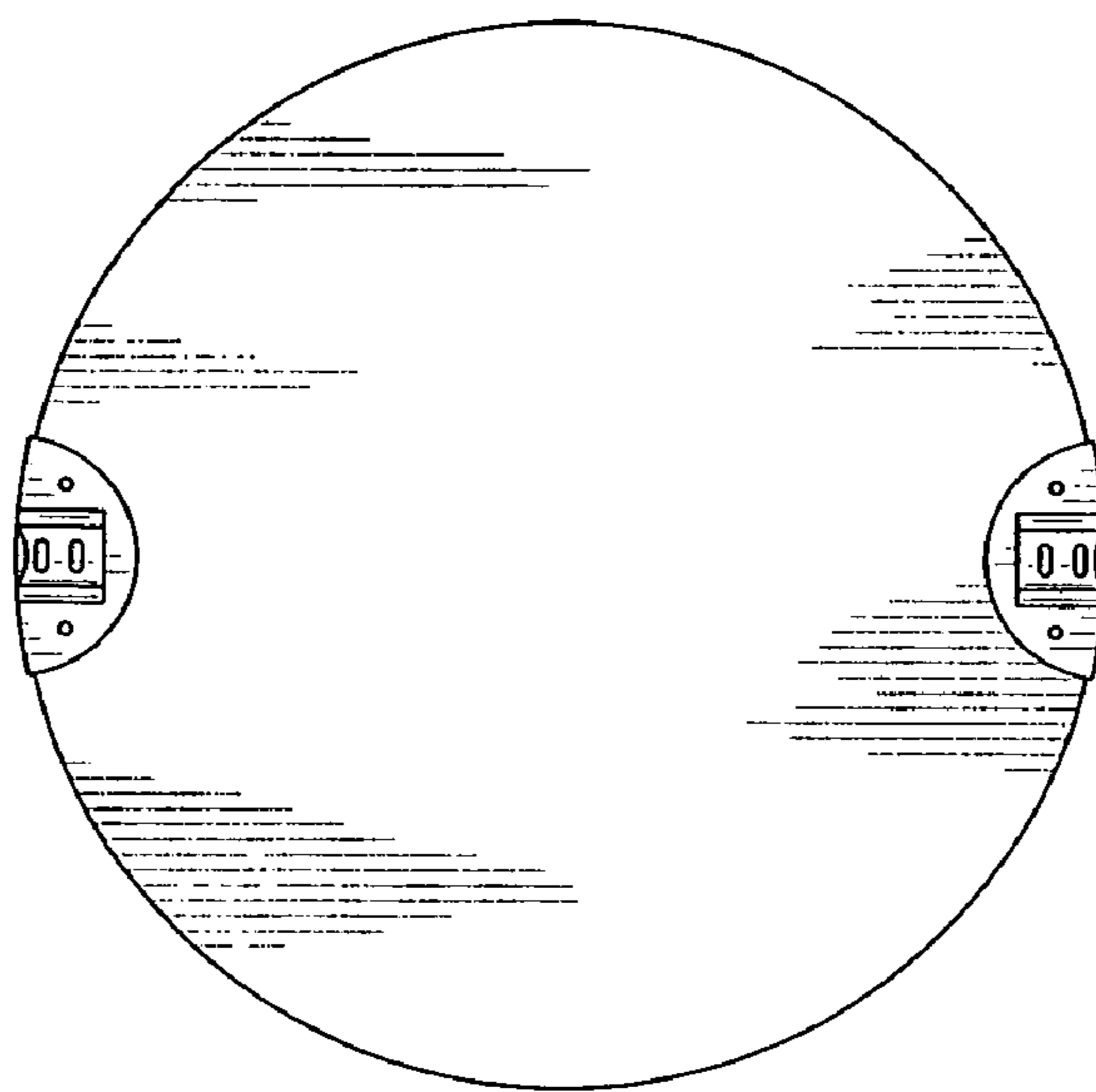


FIG. 7

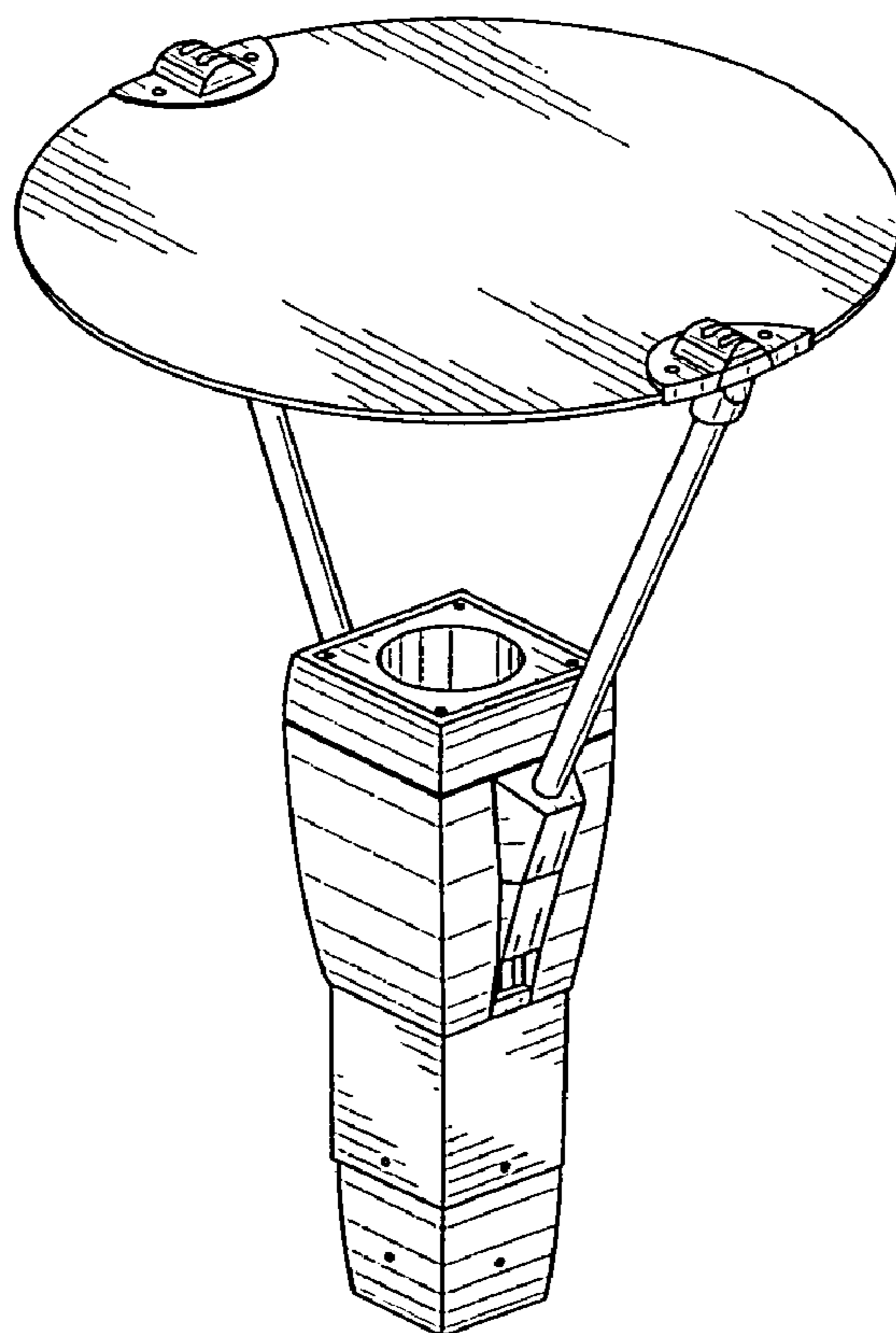


FIG. 8

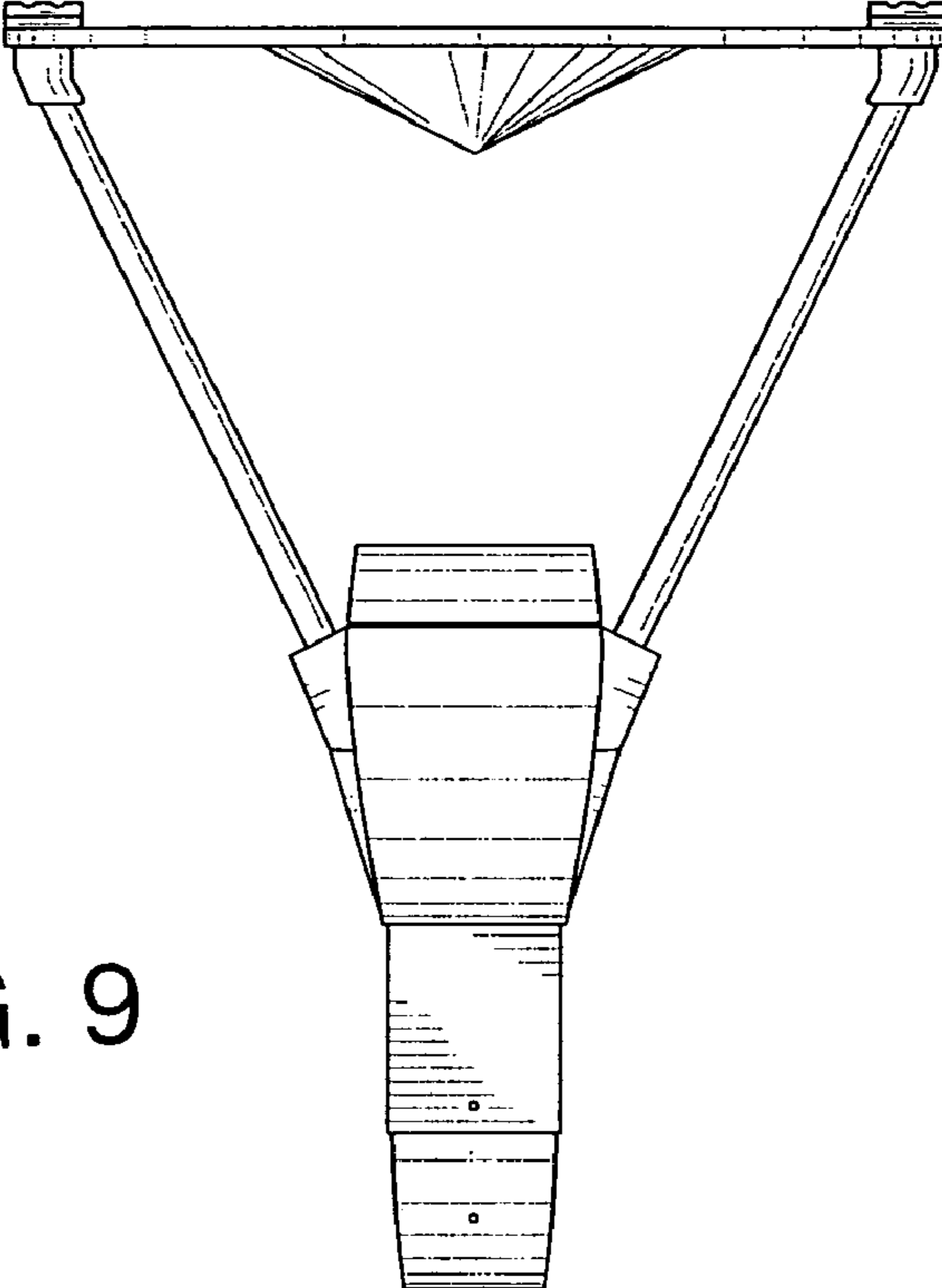


FIG. 9

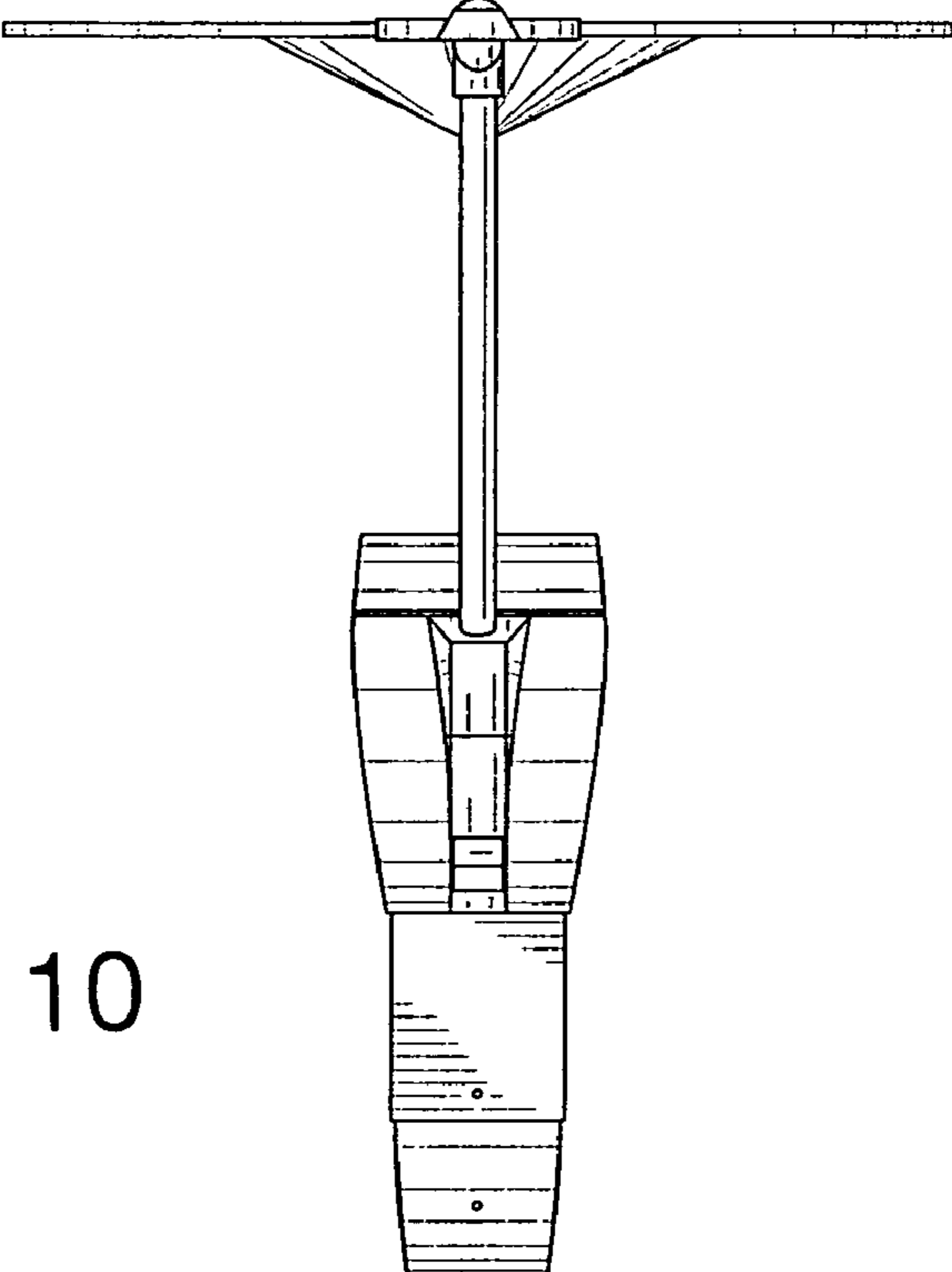


FIG. 10

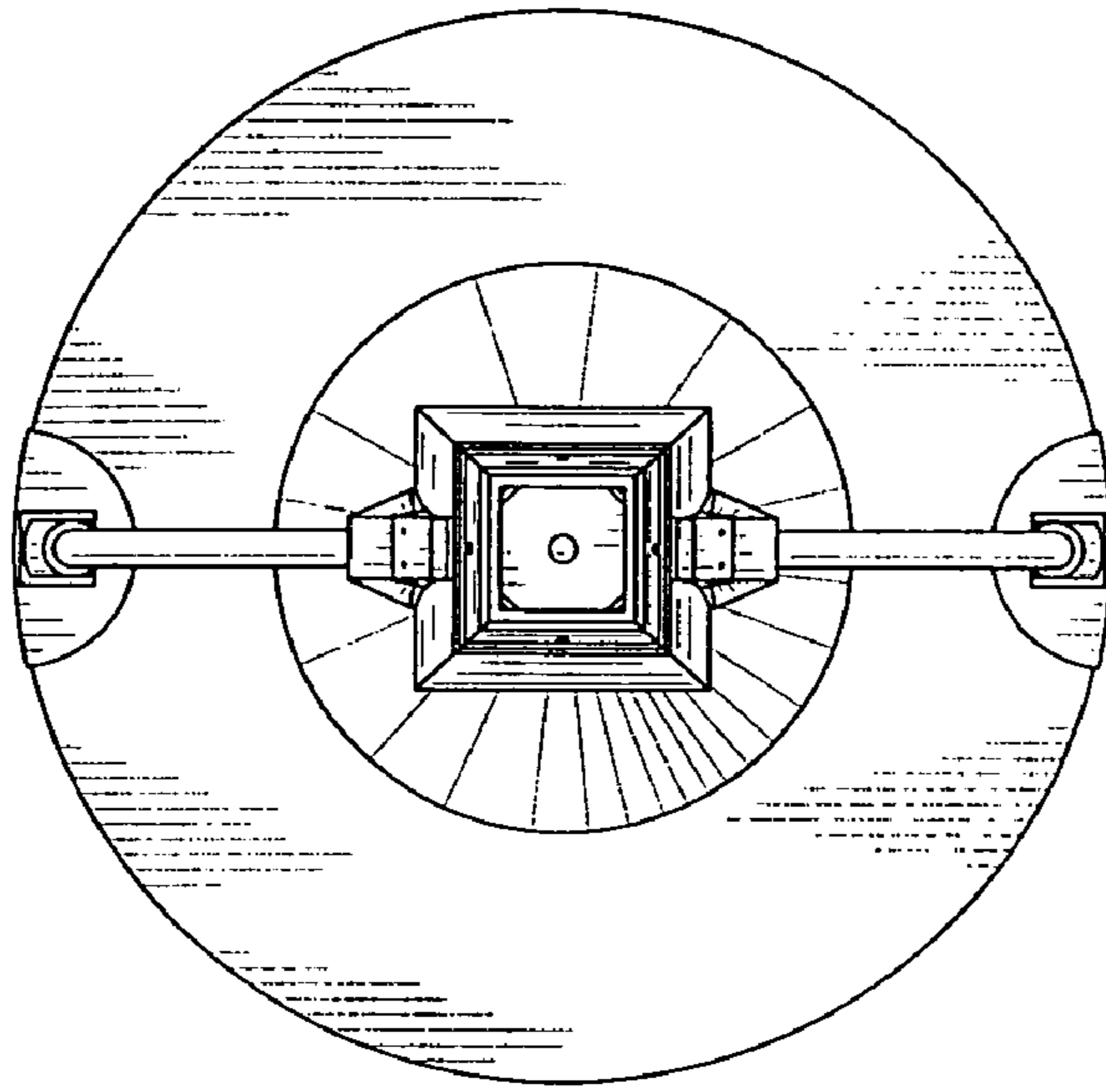


FIG. 11

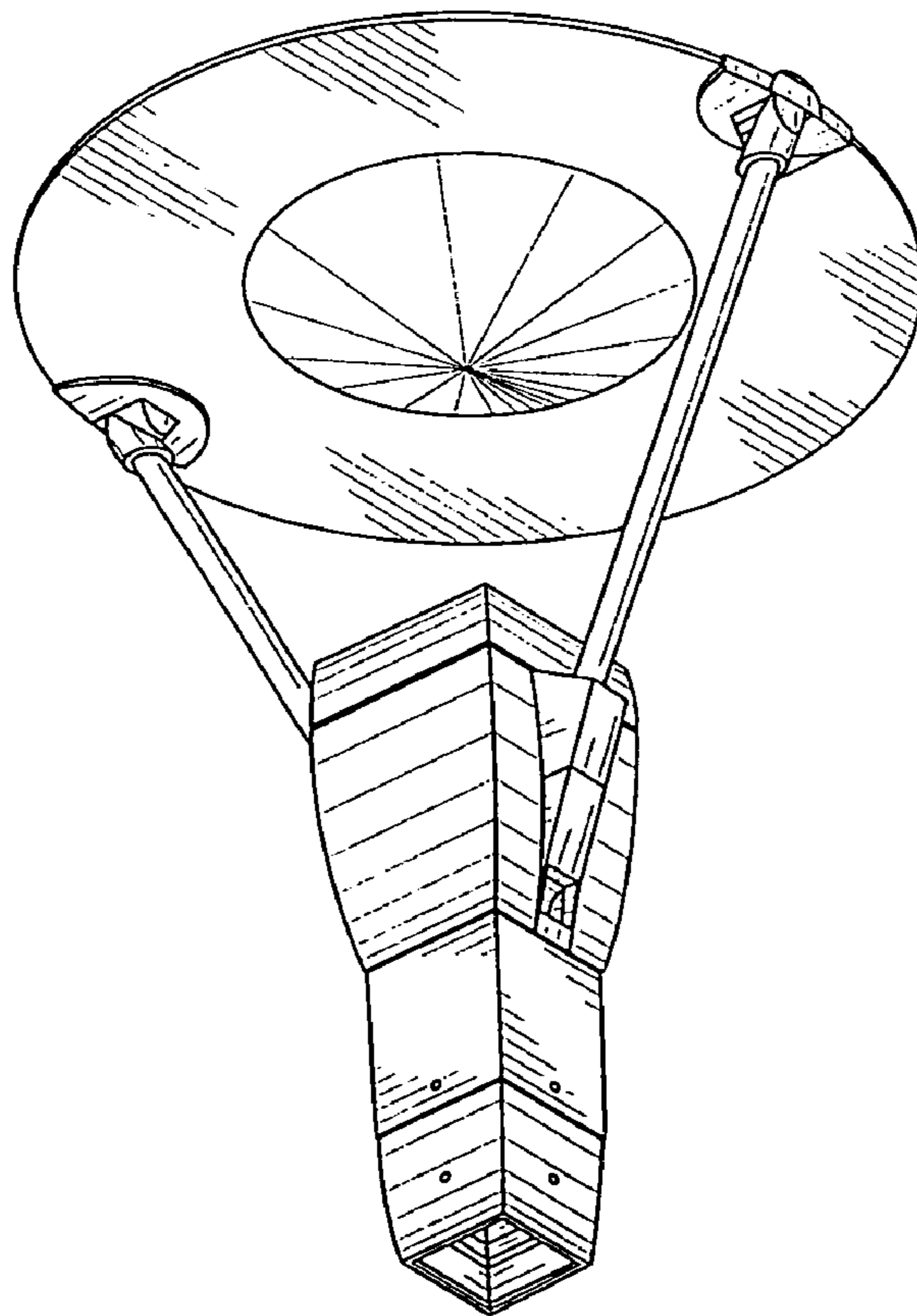


FIG. 12

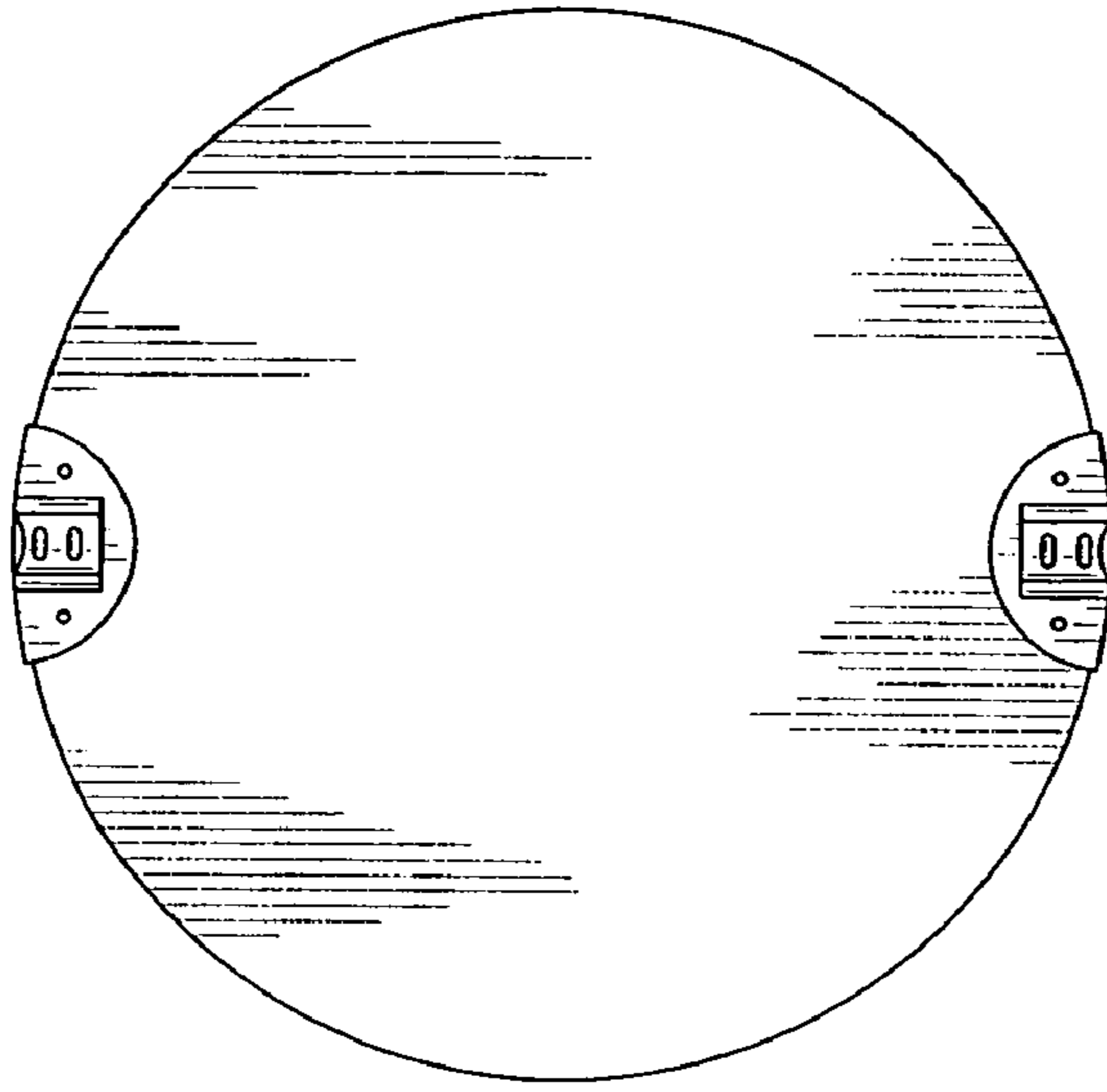


FIG. 13

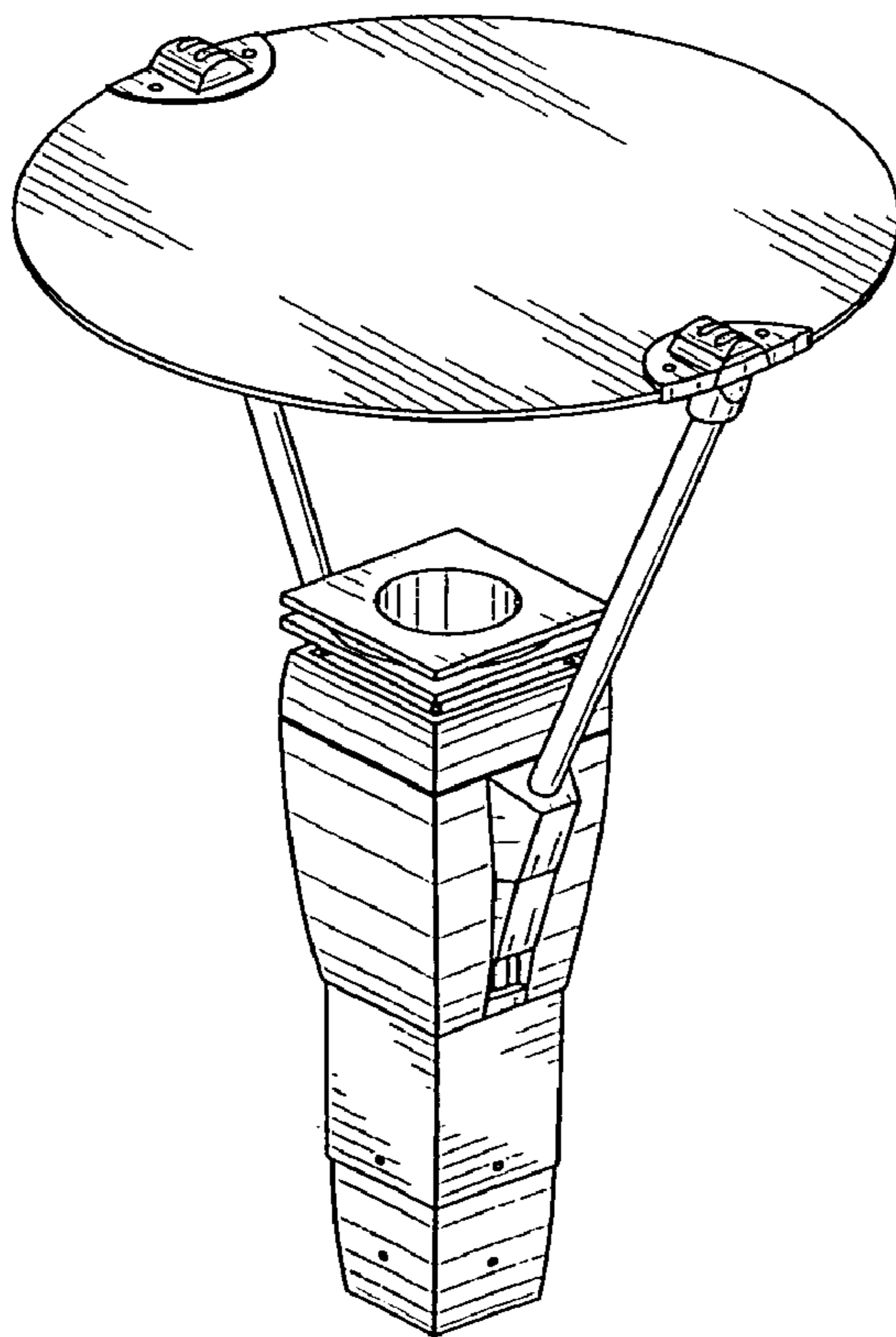
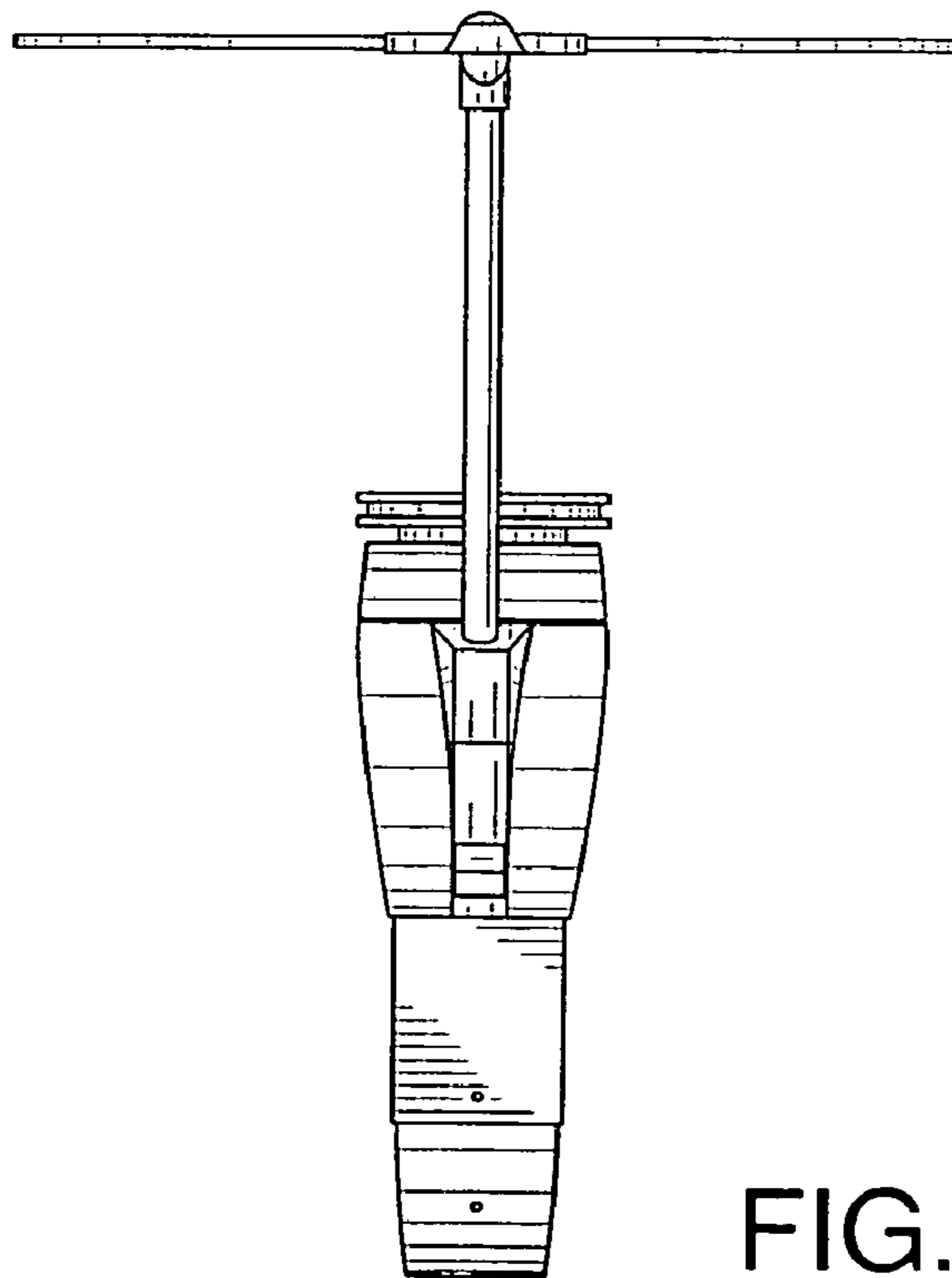
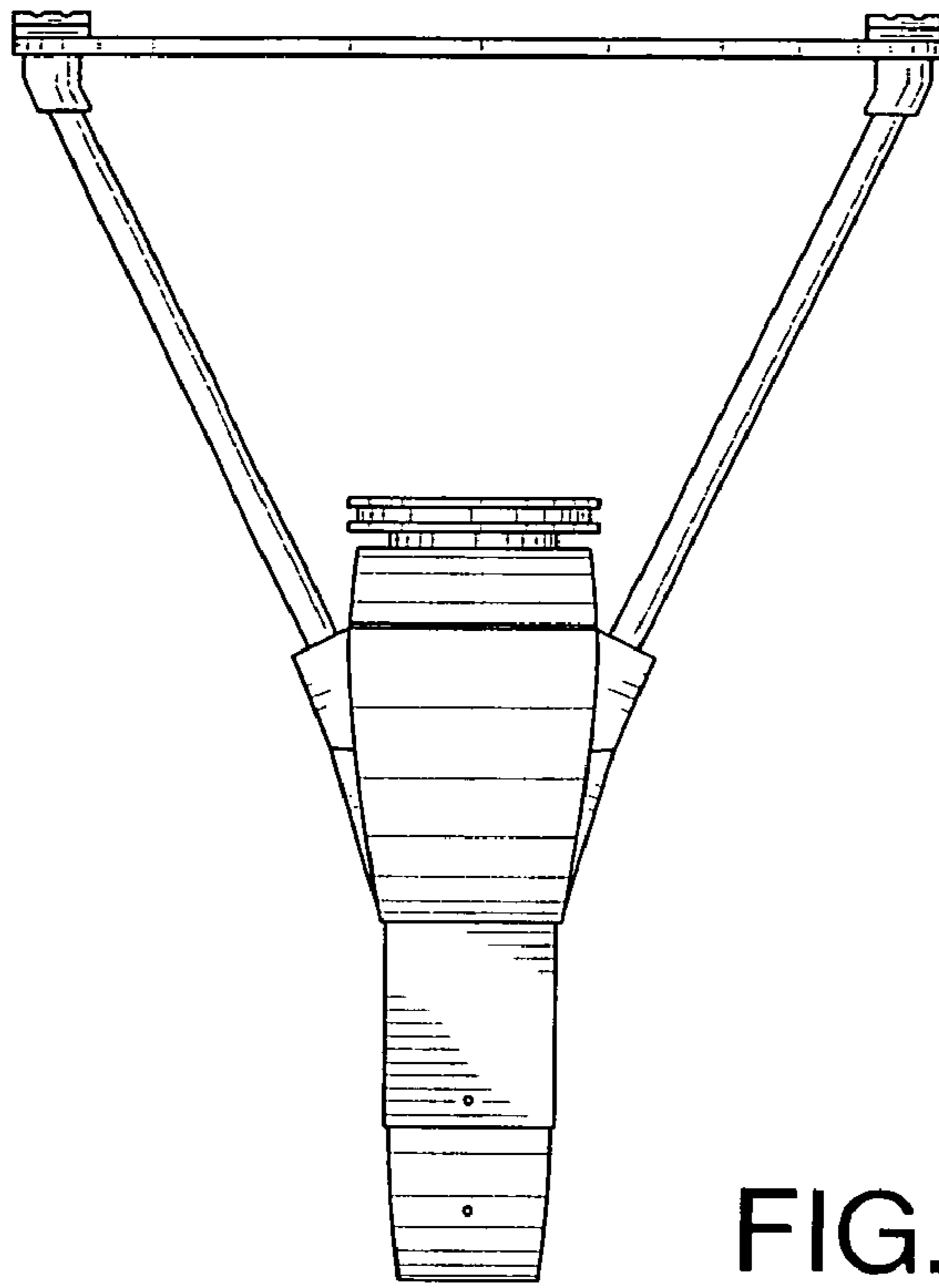


FIG. 14



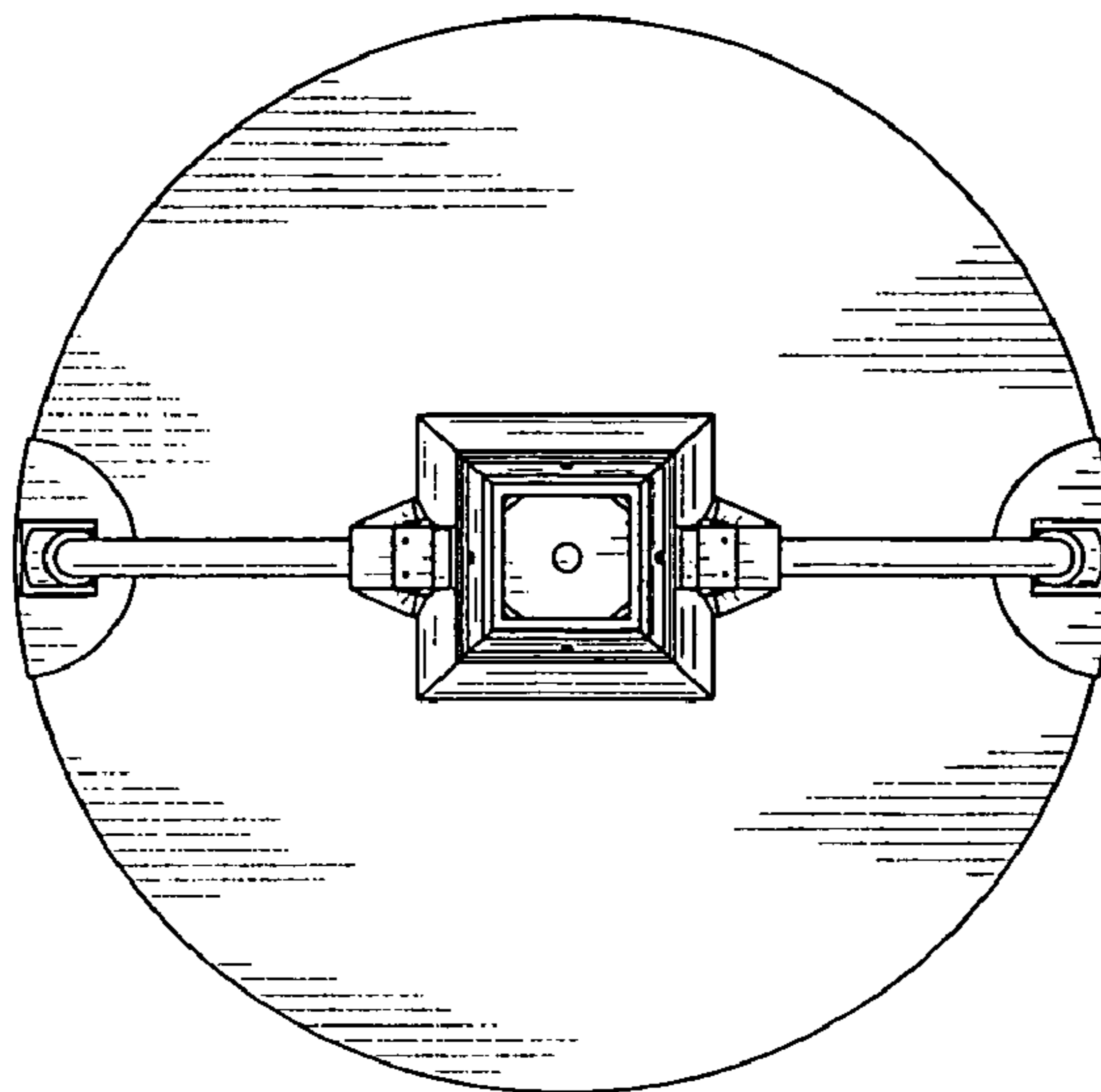


FIG. 17

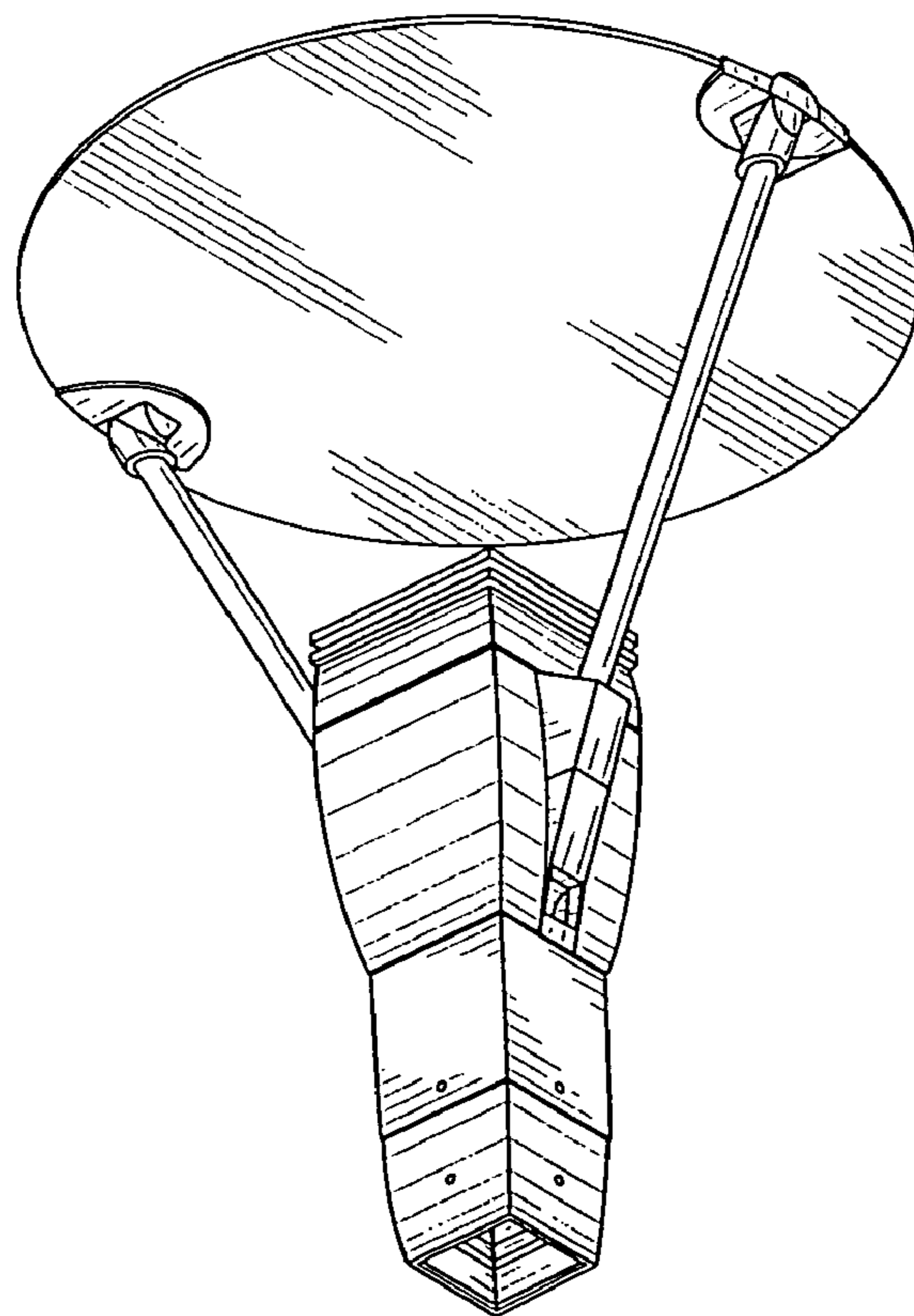


FIG. 18