



US00D601290S

(12) **United States Design Patent**  
**Saint-Aubin**

(10) **Patent No.:** **US D601,290 S**

(45) **Date of Patent:** **\*\* Sep. 29, 2009**

(54) **EGRESS POST TOP ADAPTER**

(75) Inventor: **Aron J. Saint-Aubin**, Moreno Valley, CA (US)

(73) Assignee: **Hubbell Incorporated**, Orange, CT (US)

(\*\*) Term: **14 Years**

(21) Appl. No.: **29/290,193**

(22) Filed: **Nov. 1, 2007**

(51) **LOC (9) Cl.** ..... **26-05**

(52) **U.S. Cl.** ..... **D26/67; D26/68**

(58) **Field of Classification Search** ..... D26/67-72, D26/85; 362/183, 431, 152-153.1

See application file for complete search history.

(56) **References Cited**

**U.S. PATENT DOCUMENTS**

1,946,570 A	2/1934	Beidler	
D178,575 S *	8/1956	Larson	D26/24
D234,971 S *	4/1975	Devlin	D26/67
4,255,746 A	3/1981	Johnson et al.	
D299,554 S *	1/1989	Muller	D26/69
D299,555 S *	1/1989	Muller	D26/69
D312,890 S *	12/1990	Compton	D26/69
D314,833 S *	2/1991	Beachy et al.	D26/68
D318,135 S *	7/1991	Hall et al.	D26/67
5,055,984 A *	10/1991	Hung et al.	362/183
5,065,291 A *	11/1991	Frost et al.	362/183
D362,534 S *	9/1995	Gensburg	D99/43
5,608,290 A *	3/1997	Hutchisson et al.	315/200 A
5,676,455 A	10/1997	Johnson et al.	
D418,619 S *	1/2000	Porter	D26/68
6,045,232 A	4/2000	Buckmaster	

D459,515 S *	6/2002	Gaskins et al.	D26/67
6,929,376 B2	8/2005	Harris	
7,036,961 B2	5/2006	Defouw et al.	
7,086,747 B2	8/2006	Nielson et al.	
2005/0117343 A1	6/2005	Leifer	
2005/0259416 A1	11/2005	Gauna et al.	

**OTHER PUBLICATIONS**

Egress Post Top adapter models EPA-C and EPA-T by architectural Area Lighting. Found online at aal.net. © 2007.\*

\* cited by examiner

*Primary Examiner*—Clare E Heflin

(74) *Attorney, Agent, or Firm*—Jenae C. Gureff; Mark S. Bicks; Alfred N. Goodman

(57) **CLAIM**

The ornamental design for the egress post top adapters, as shown and described.

**DESCRIPTION**

FIG. 1 is a front elevational view of an egress post top adapter in accordance with the present invention;

FIG. 2 is a rear elevational view of the egress post top adapter illustrated in FIG. 1;

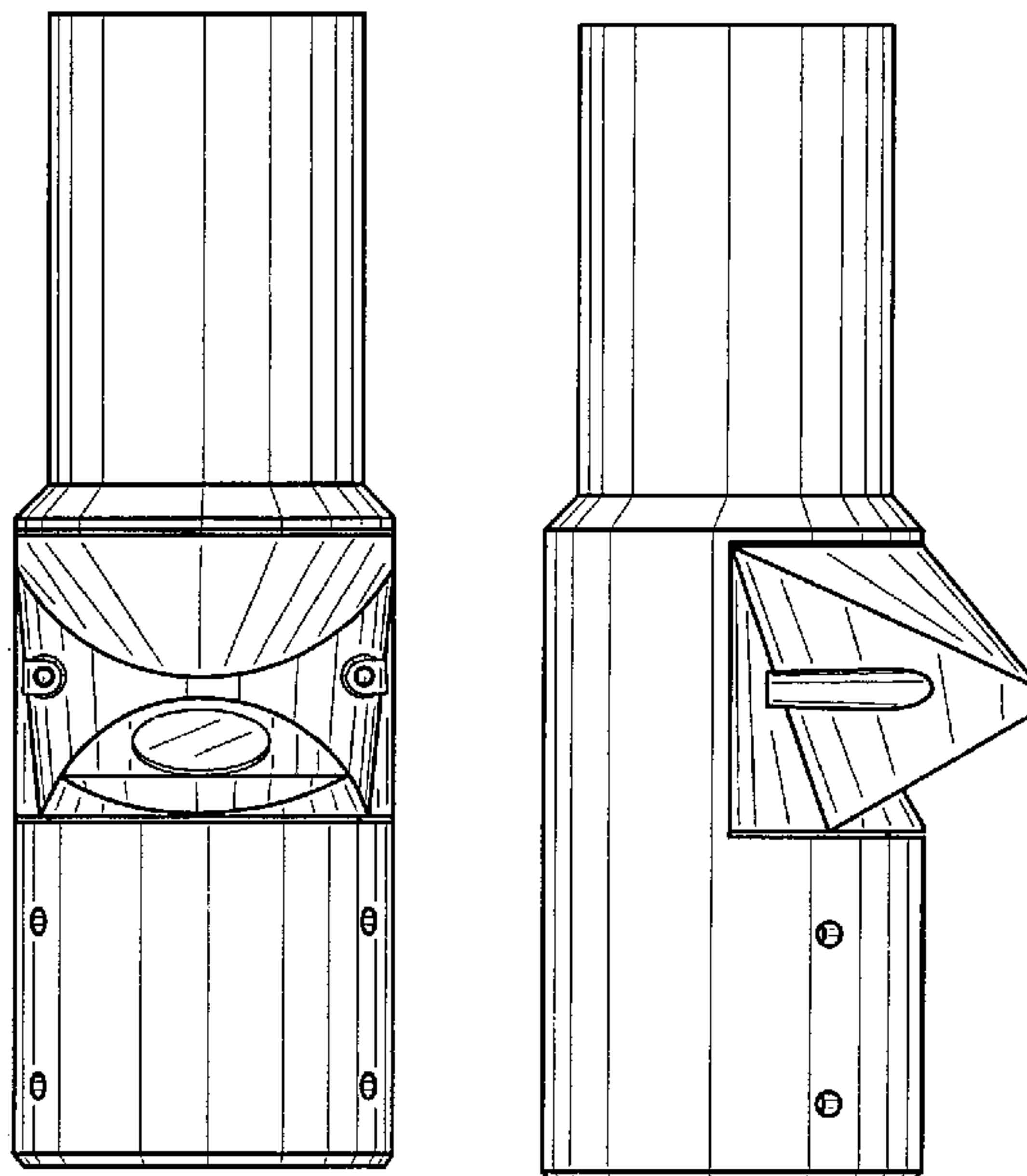
FIG. 3 is a left side elevational view of the egress post top adapter illustrated in FIGS. 1 and 2;

FIG. 4 is a right side elevational view of the egress post top adapter illustrated in FIGS. 1-3;

FIG. 5 is a top plan view of the egress post top adapter illustrated in FIGS. 1-4; and,

FIG. 6 is a bottom plan view of the egress post top adapter illustrated in FIGS. 1-5.

**1 Claim, 3 Drawing Sheets**



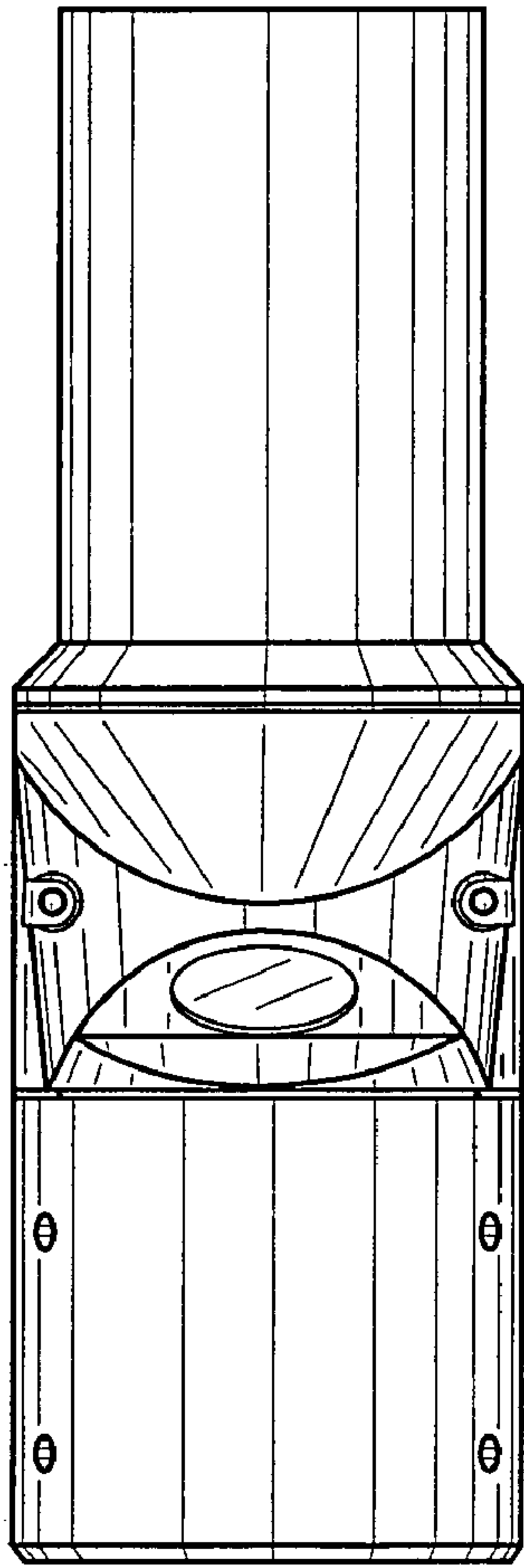


FIG. 1

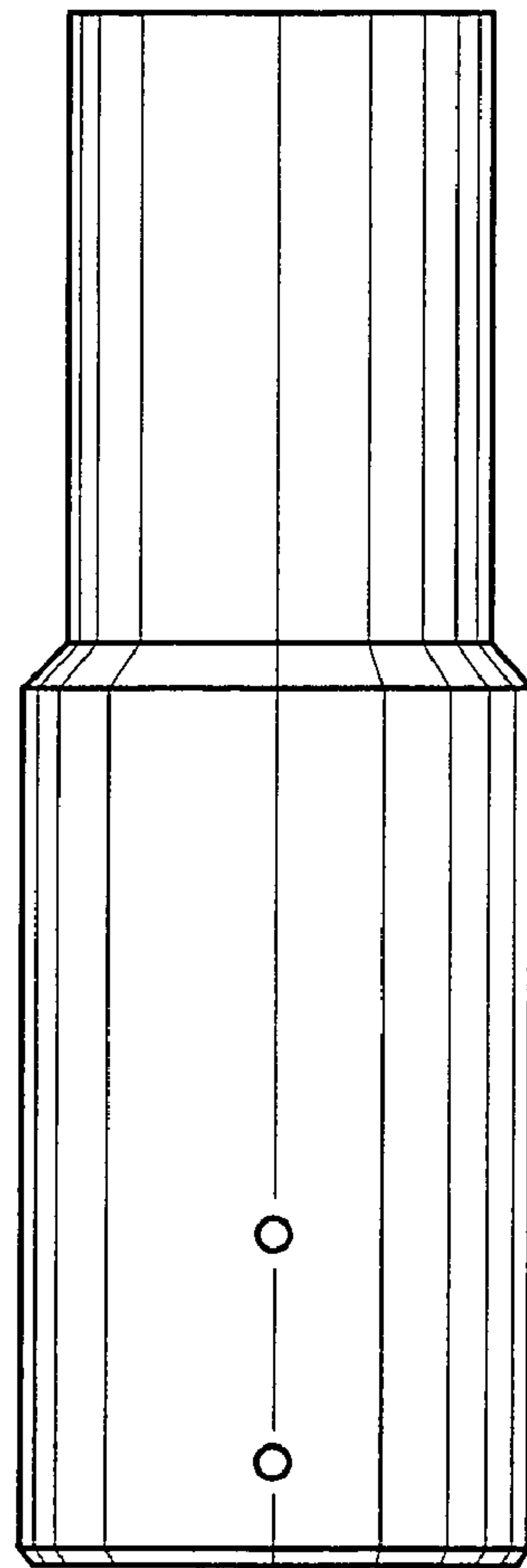


FIG. 2

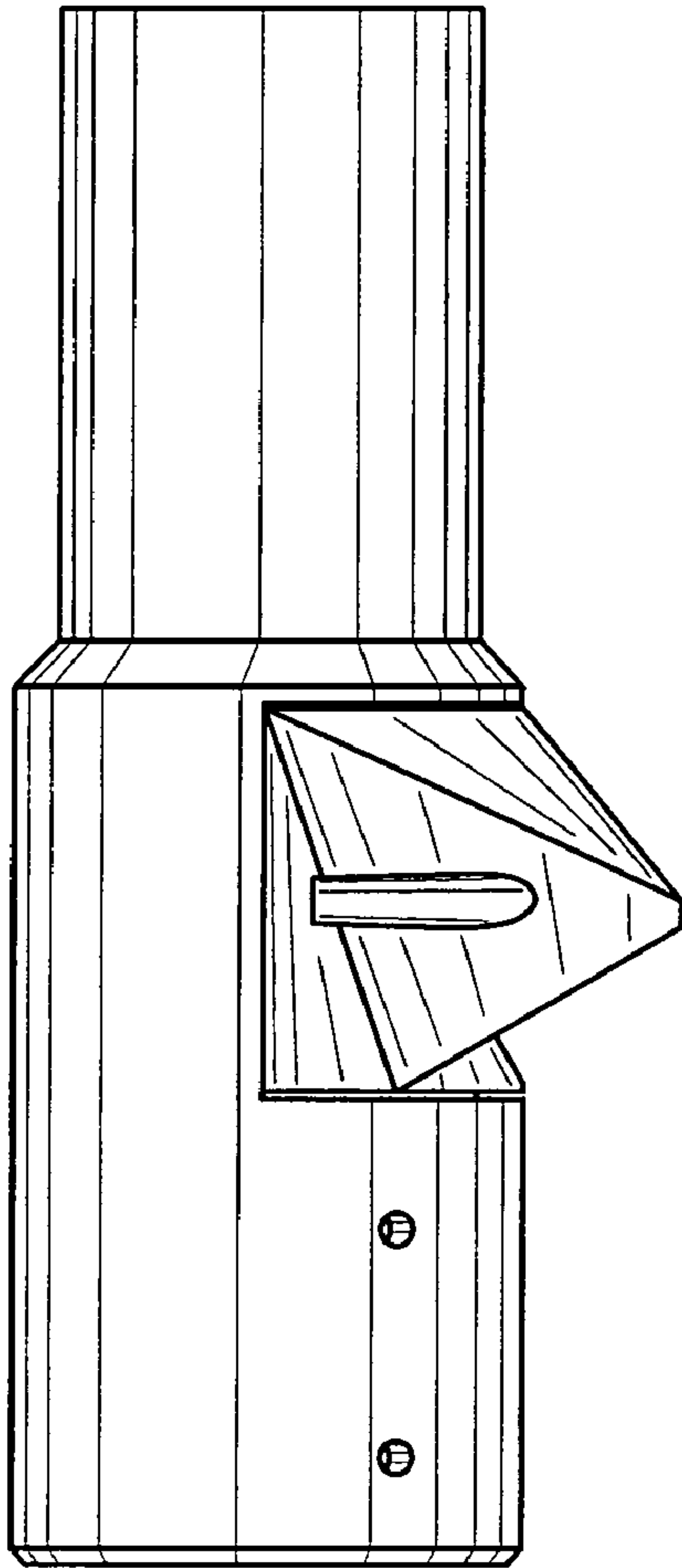


FIG. 3

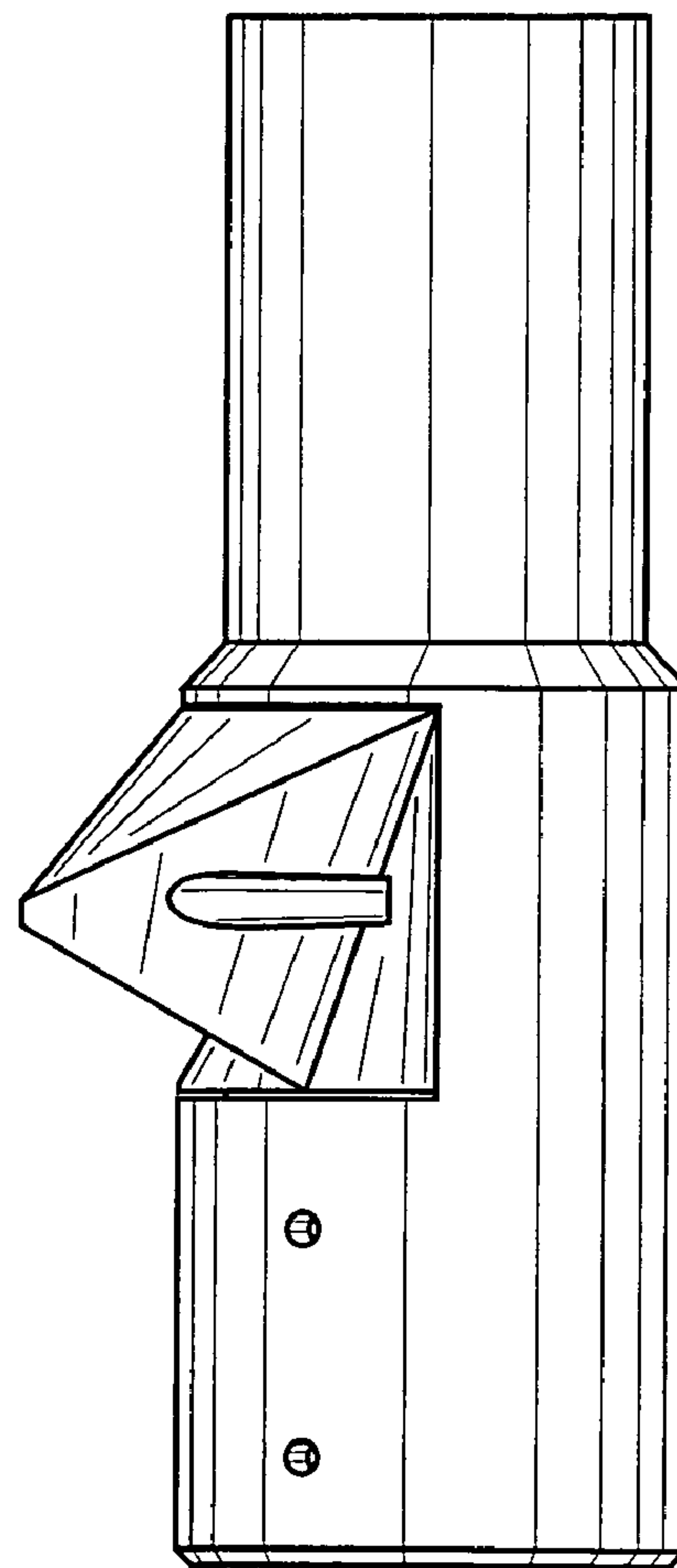


FIG. 4

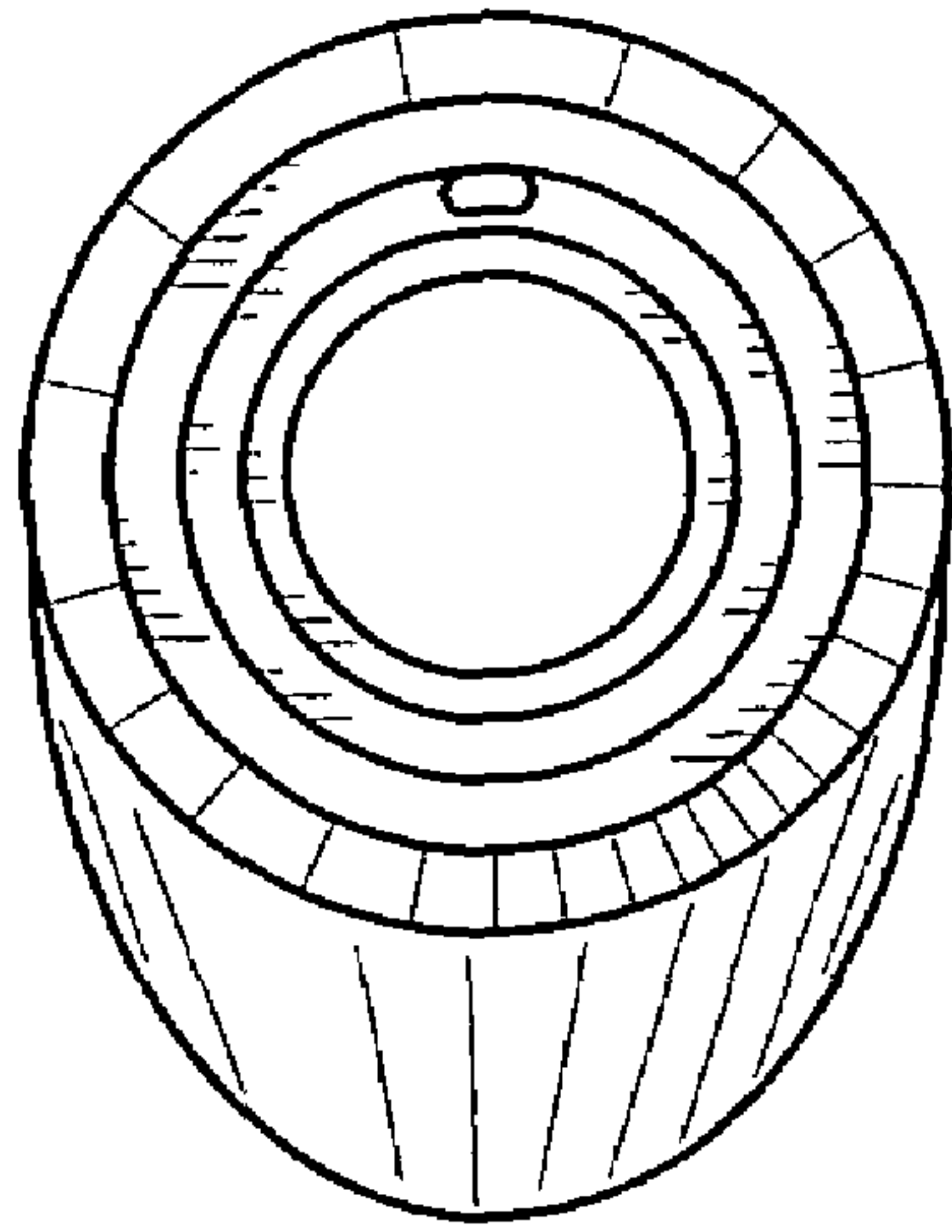


FIG. 5

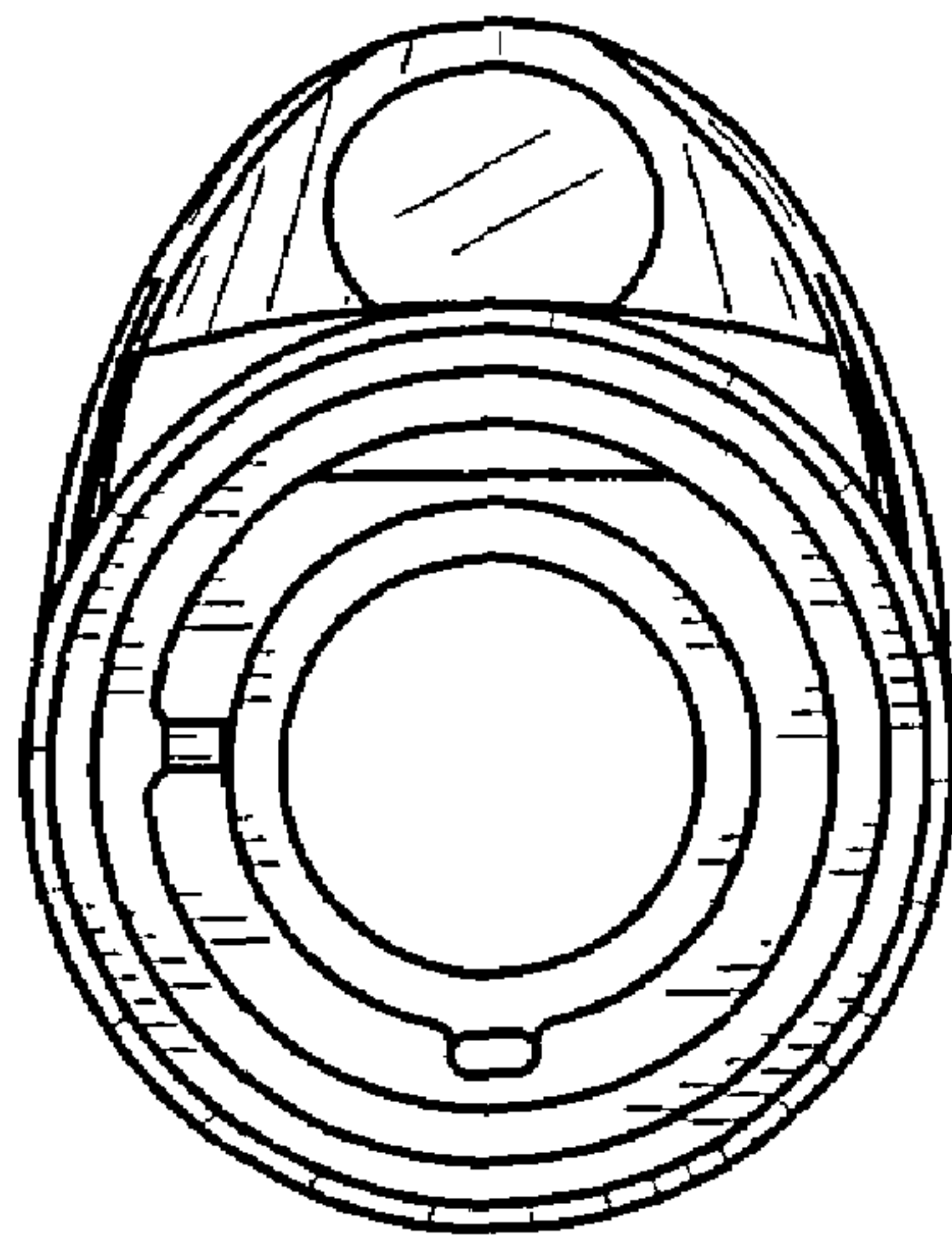


FIG. 6