

US00D601287S

(12) **United States Design Patent**  
**Caniparoli**

(10) **Patent No.:** **US D601,287 S**

(45) **Date of Patent:** **\*\* Sep. 29, 2009**

(54) **FLASHLIGHT**

(75) Inventor: **Jeffrey L. Caniparoli**, Milwaukie, OR (US)

(73) Assignee: **Leatherman Tool Group, Inc.**, Portland, OR (US)

(\*\*) Term: **14 Years**

(21) Appl. No.: **29/330,777**

(22) Filed: **Jan. 14, 2009**

(51) **LOC (9) Cl.** ..... **26-02**

(52) **U.S. Cl.** ..... **D26/49**

(58) **Field of Classification Search** ..... D26/37, D26/38, 46, 48, 49; 362/157, 158, 183, 191–208  
See application file for complete search history.

(56) **References Cited**

**U.S. PATENT DOCUMENTS**

D263,170 S	2/1982	Maglica	
4,577,263 A	3/1986	Maglica	
4,658,336 A	4/1987	Maglica	
D308,109 S	5/1990	Maglica et al.	
D342,333 S	12/1993	Maglica	
D348,112 S	6/1994	Maglica	
D351,245 S	10/1994	Maglica	
D353,217 S	12/1994	Maglica	
D363,361 S	10/1995	Maglica	
D367,721 S	3/1996	Maglica	
D501,055 S	1/2005	Packard	
D501,942 S	2/2005	Saunders	
D505,506 S	5/2005	Kolflat	
D507,365 S	7/2005	Chen	
D513,642 S *	1/2006	Zhang	D26/49
D521,166 S *	5/2006	Yamamoto et al.	D26/37
D521,666 S	5/2006	Chean	
D521,667 S	5/2006	Chean	
D523,981 S	6/2006	Galli	
D527,126 S	8/2006	Opolka	

(Continued)

**OTHER PUBLICATIONS**

[http://upload.wikimedia.org/wikipedia/commons/thumb/3/38/4xcolor\\_mini\\_maglite\\_20050614.jpg/800px...](http://upload.wikimedia.org/wikipedia/commons/thumb/3/38/4xcolor_mini_maglite_20050614.jpg/800px...), dated May 21, 2008, 1 page.

<http://upload.wikimedia.org/wikipedia/en/8/82/Minimaglite.jpg>, dated May 21, 2008, 1 page.

(Continued)

*Primary Examiner*—Ian Simmons

*Assistant Examiner*—Carissa C Fitts

(74) *Attorney, Agent, or Firm*—Alston & Bird LLP

(57) **CLAIM**

The ornamental design for a flashlight, as shown and described.

**DESCRIPTION**

FIG. 1 is a perspective view of a flashlight according to my new design;

FIG. 2 is a left side elevation view thereof;

FIG. 3 is a top plan view thereof, the bottom plan view being a mirror image thereof;

FIG. 4 is a right side elevation view thereof;

FIG. 5 is a front elevation view thereof;

FIG. 6 is a rear elevation view thereof;

FIG. 7 is a perspective view of a second embodiment of a flashlight in accordance with the new design, showing a break indicating a handle detail or no particular length;

FIG. 8 is a left side elevation view thereof;

FIG. 9 is a top plan view thereof, the bottom plan view being a mirror image thereof;

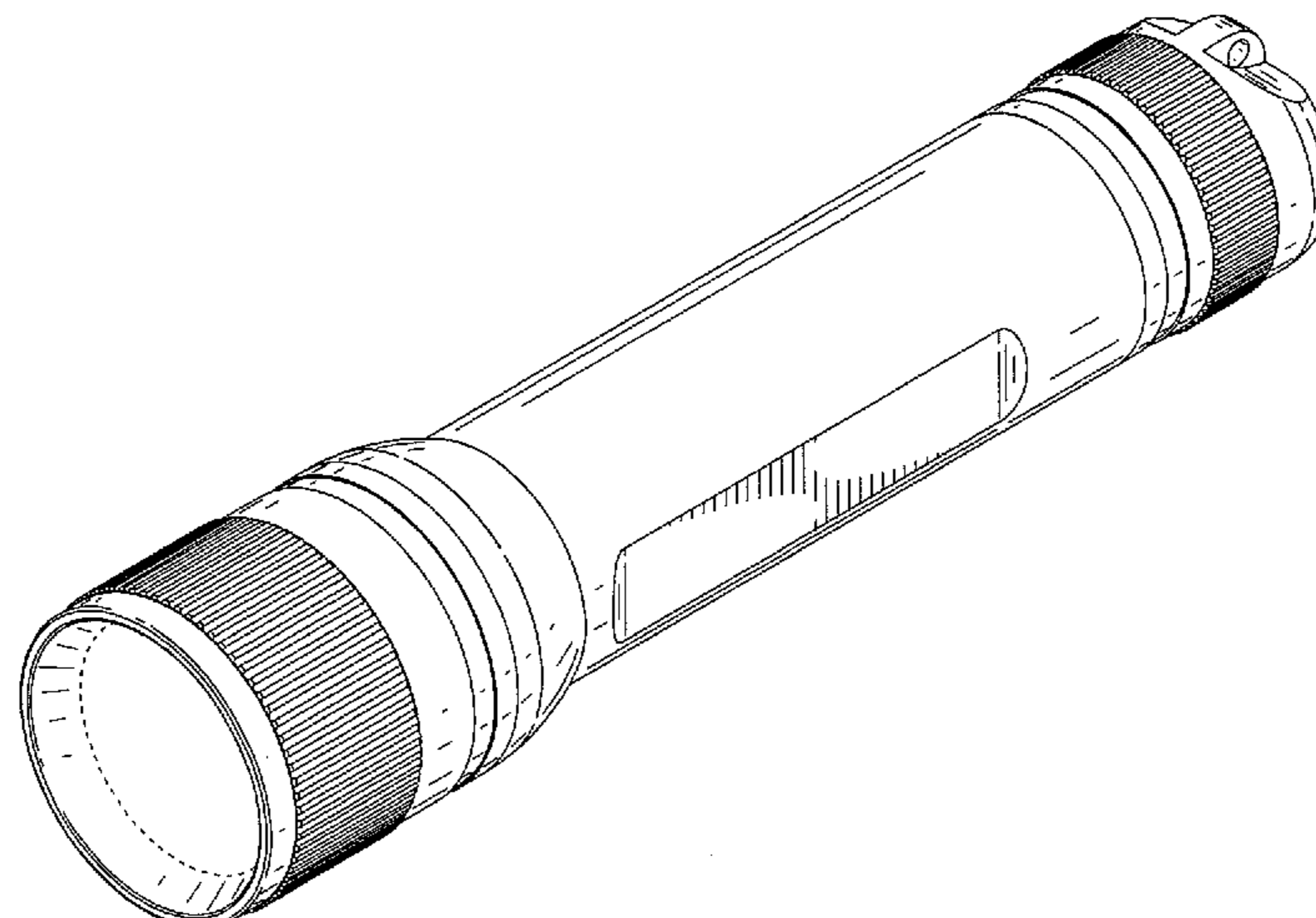
FIG. 10 is a right side elevation view thereof;

FIG. 11 is a front elevation view thereof; and,

FIG. 12 is a rear elevation view thereof.

The broken lines shown herein for illustrative purposes and which define the bounds of the claimed design form no part of the claimed design.

**1 Claim, 10 Drawing Sheets**



# US D601,287 S

Page 2

## U.S. PATENT DOCUMENTS

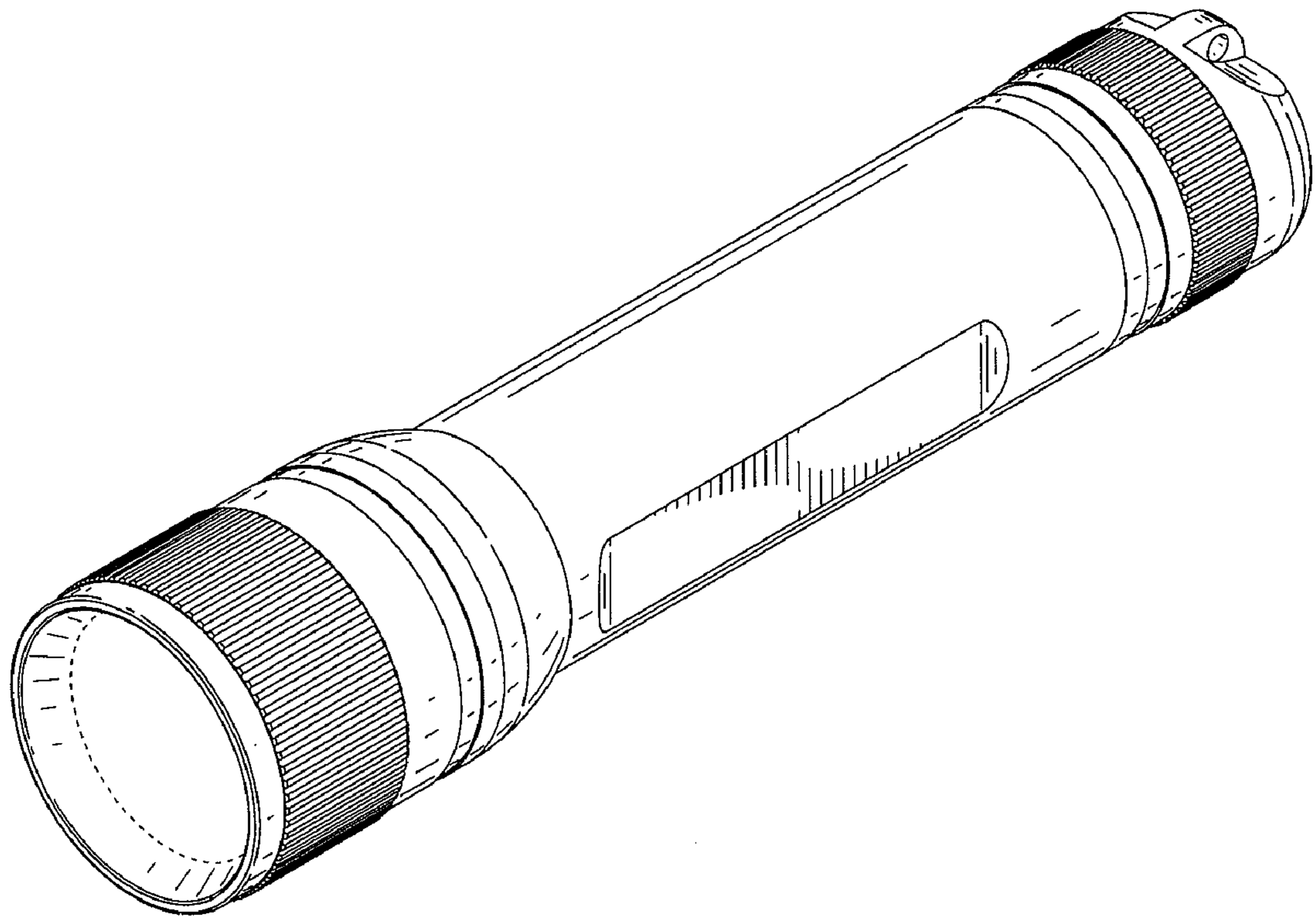
D527,481 S 8/2006 Opolka  
D528,689 S 9/2006 Opolka  
D530,438 S 10/2006 Maglica  
D530,439 S 10/2006 Maglica  
D531,743 S 11/2006 Opolka  
D532,138 S 11/2006 Wang et al.  
D532,543 S 11/2006 Julius et al.  
D548,862 S 8/2007 Opolka et al.  
D550,447 S 9/2007 Opolka  
D551,366 S 9/2007 Galli  
D557,838 S \* 12/2007 Shiu ..... D26/37  
D557,839 S 12/2007 Shiu  
D557,840 S 12/2007 Shiu  
D563,007 S 2/2008 Opolka  
D565,770 S 4/2008 Shiu  
D567,416 S 4/2008 Shiu  
D570,511 S \* 6/2008 Shiu ..... D26/49  
D583,087 S \* 12/2008 Opolka ..... D26/49  
2006/0039139 A1 2/2006 Maglica et al.  
2006/0056173 A1 3/2006 Maglica  
2006/0245181 A1 11/2006 Maglica

2007/0153506 A1 7/2007 Maglica  
2007/0242452 A1 10/2007 Maglica  
2008/0112159 A1 5/2008 Maglica

## OTHER PUBLICATIONS

Product Line > Mag Instrument, Inc.—Manufacturer of the Maglite® Flashlight, available at <http://www.maglite.com/productline.asp>, dated May 21, 2008, 1 page.  
[http://www.budgieplace.com/i\\_maglite.jpg](http://www.budgieplace.com/i_maglite.jpg), dated May 21, 2008, 1 page.  
[http://www.zweibrueder.com/english/images/vquadrat2\\_579.jpg](http://www.zweibrueder.com/english/images/vquadrat2_579.jpg), dated May 21, 2008, 1 page.  
[http://www.zweibrueder.com/english/images/vquadrat\\_579.jpg](http://www.zweibrueder.com/english/images/vquadrat_579.jpg), dated May 21, 2008, 1 page.  
[http://www.zweibrueder.com/english/images/magic\\_579.jpg](http://www.zweibrueder.com/english/images/magic_579.jpg), dated May 21, 2008, 1 page.  
[http://www.zweibrueder.com/english/images/frogman2\\_579.jpg](http://www.zweibrueder.com/english/images/frogman2_579.jpg), dated May 21, 2008, 1 page.  
U.S. Appl. No. 29/320,137, filed Jun. 20, 2008; In re: Rivera et al.; entitled *Flashlight*.

\* cited by examiner



**FIG. 1**

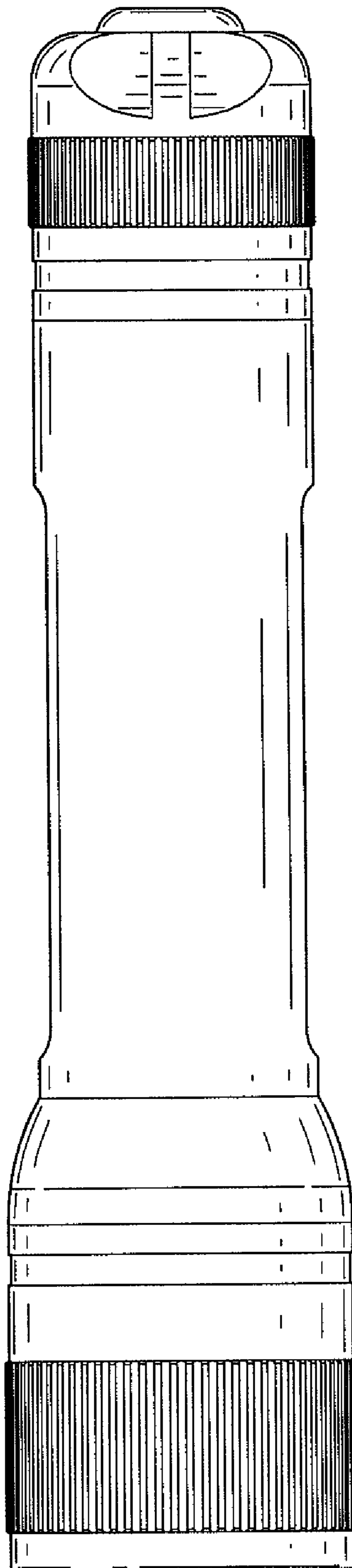


FIG. 2

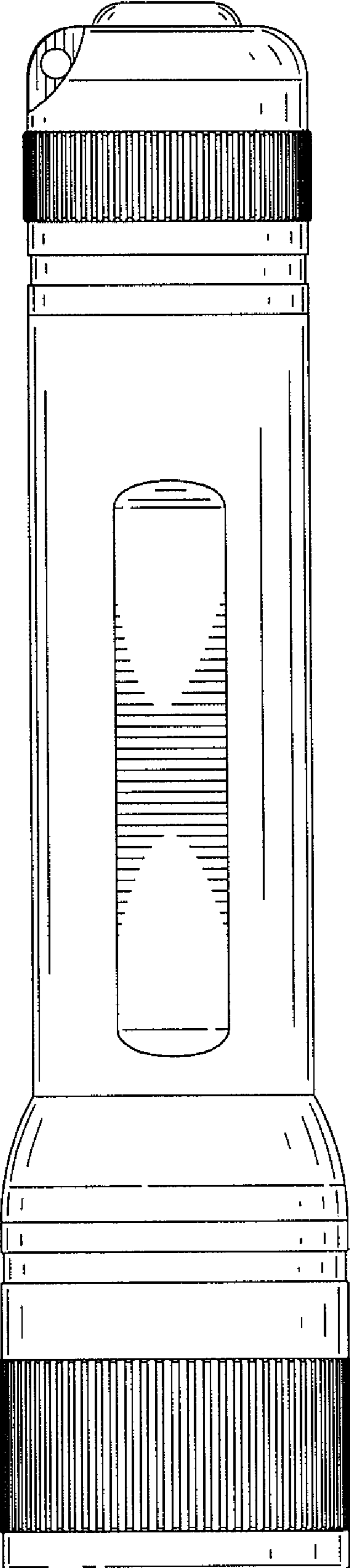


FIG. 3

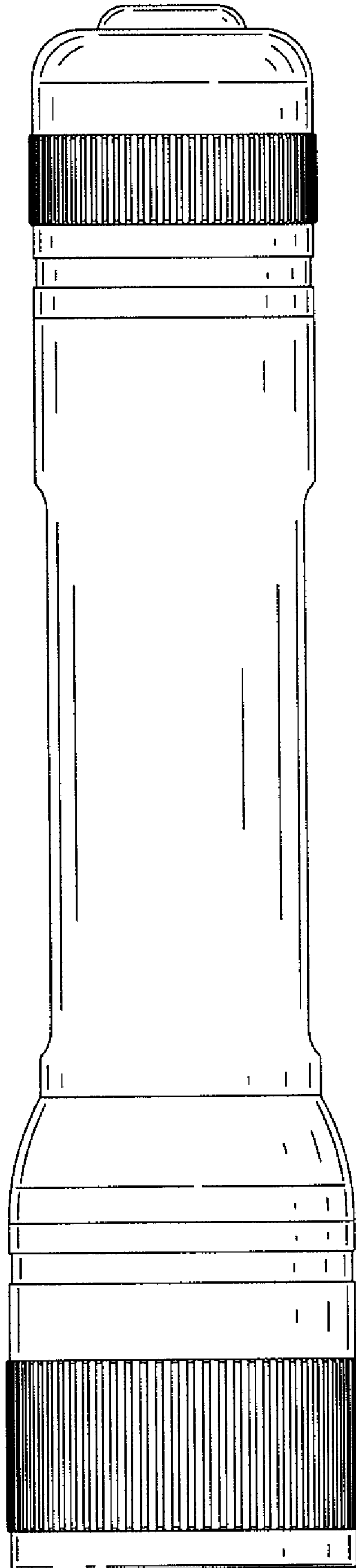
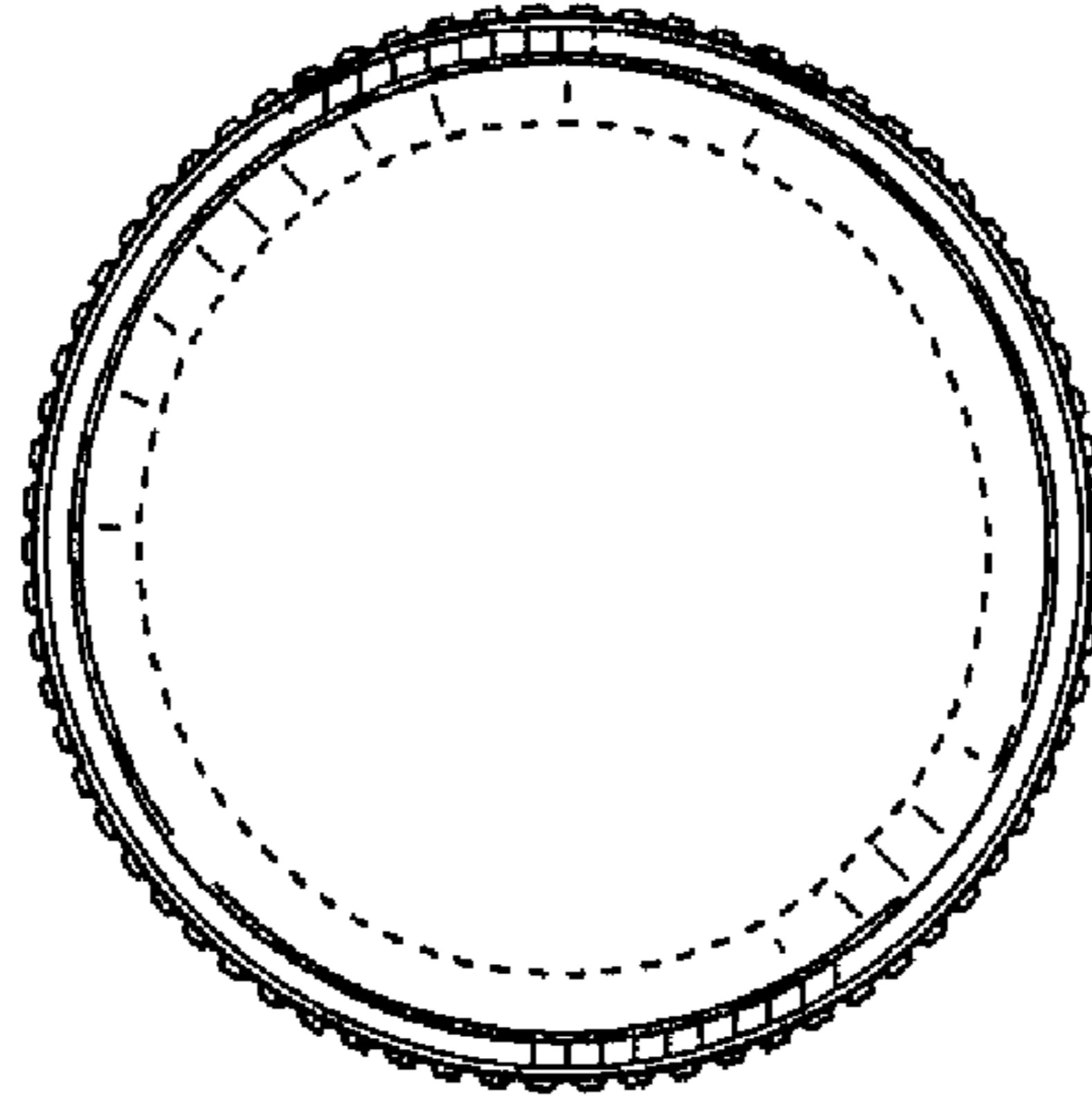
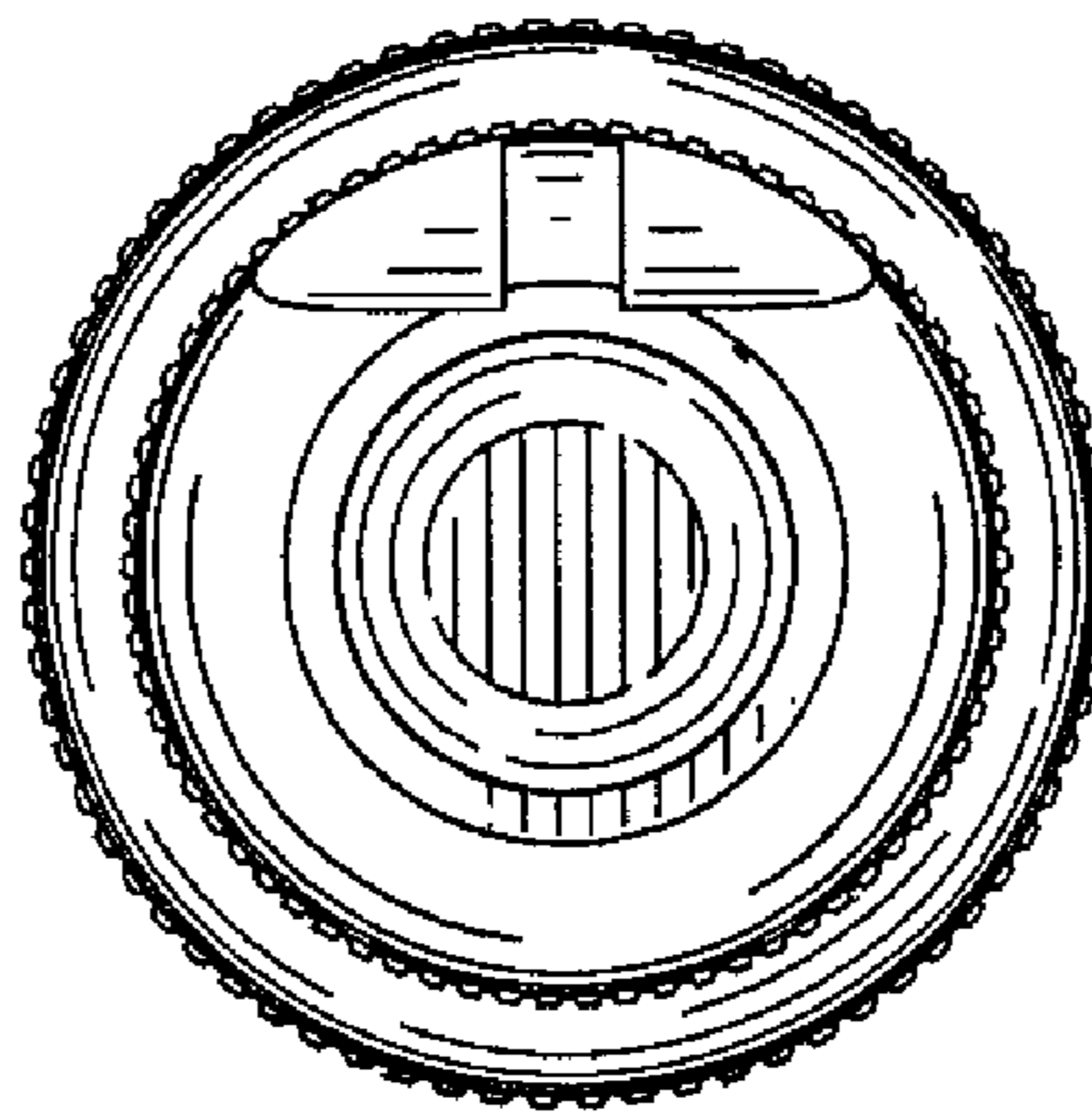


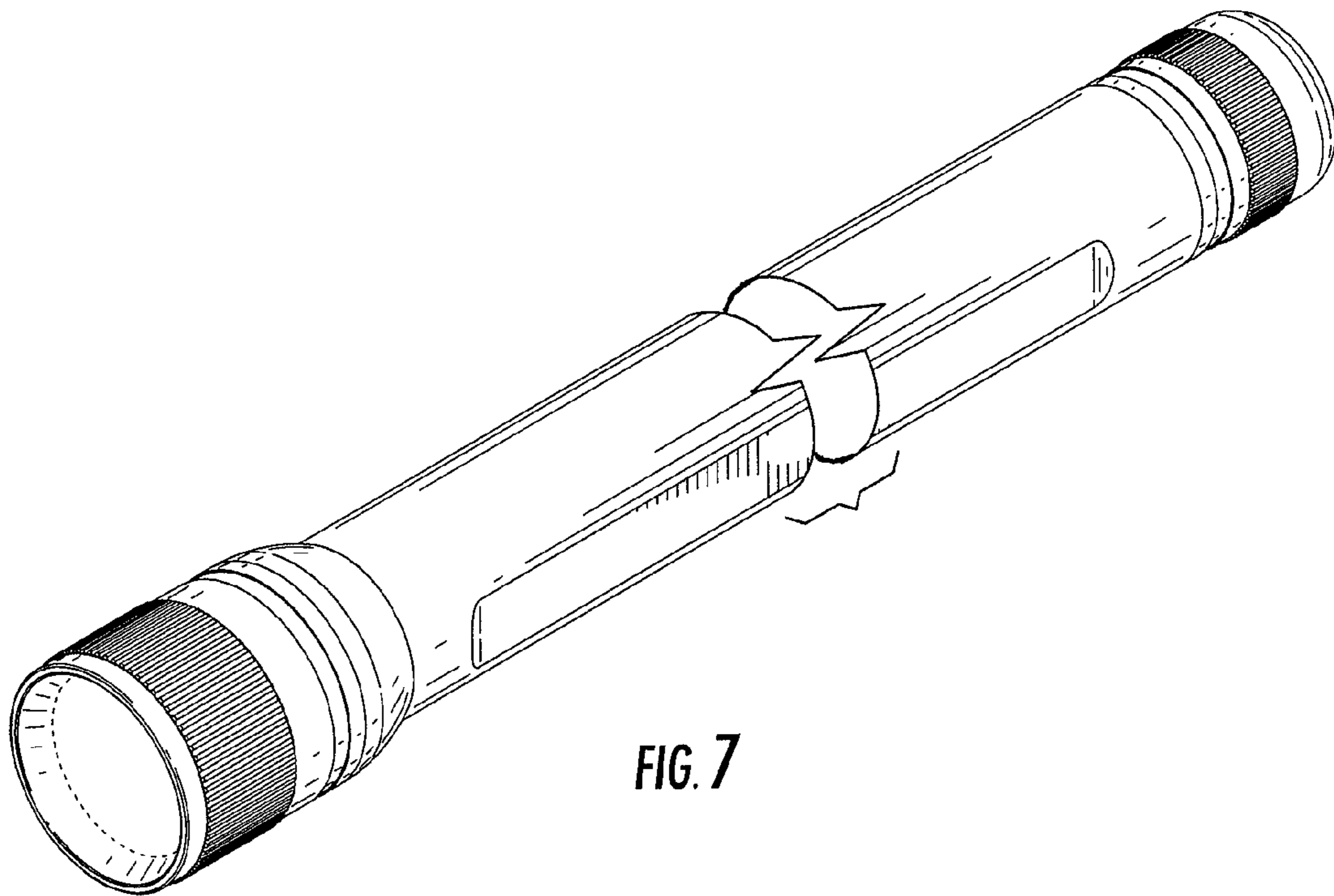
FIG. 4



**FIG. 5**



**FIG. 6**



*FIG. 7*



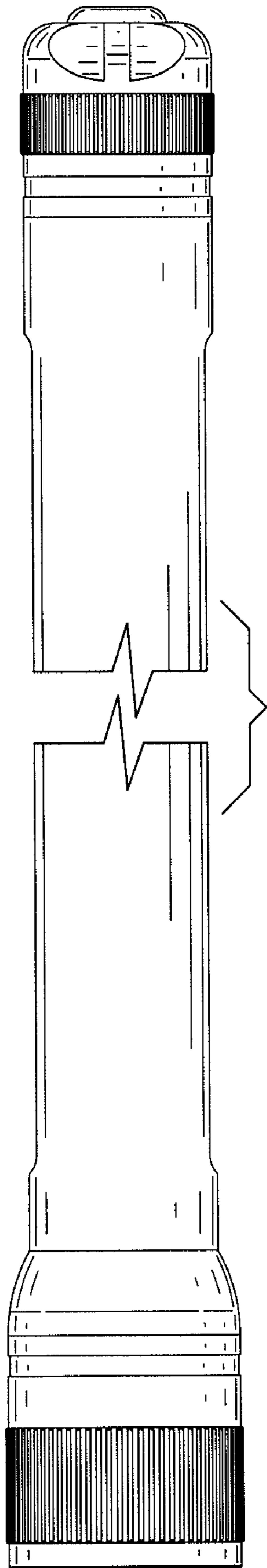


FIG. 8

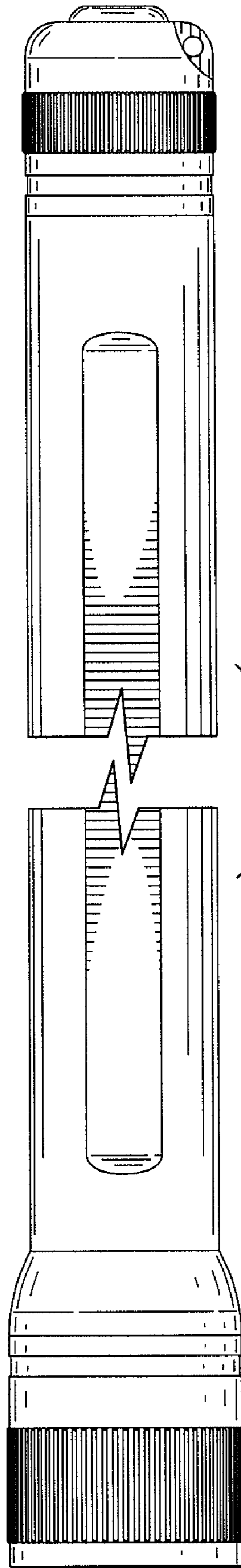


FIG. 9

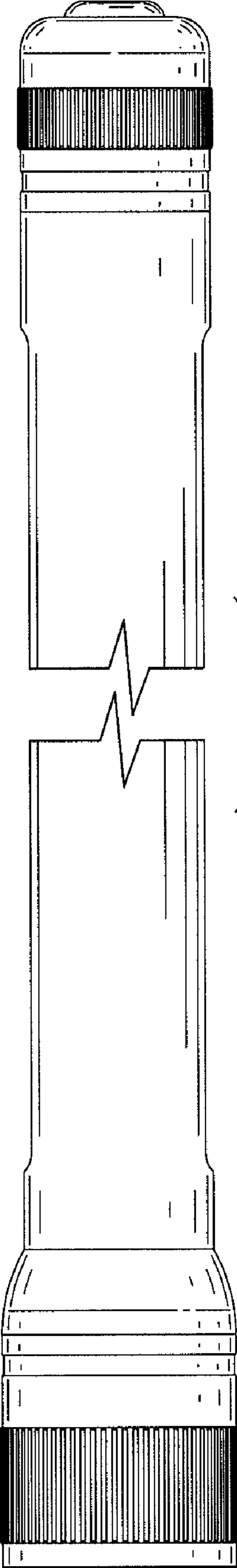
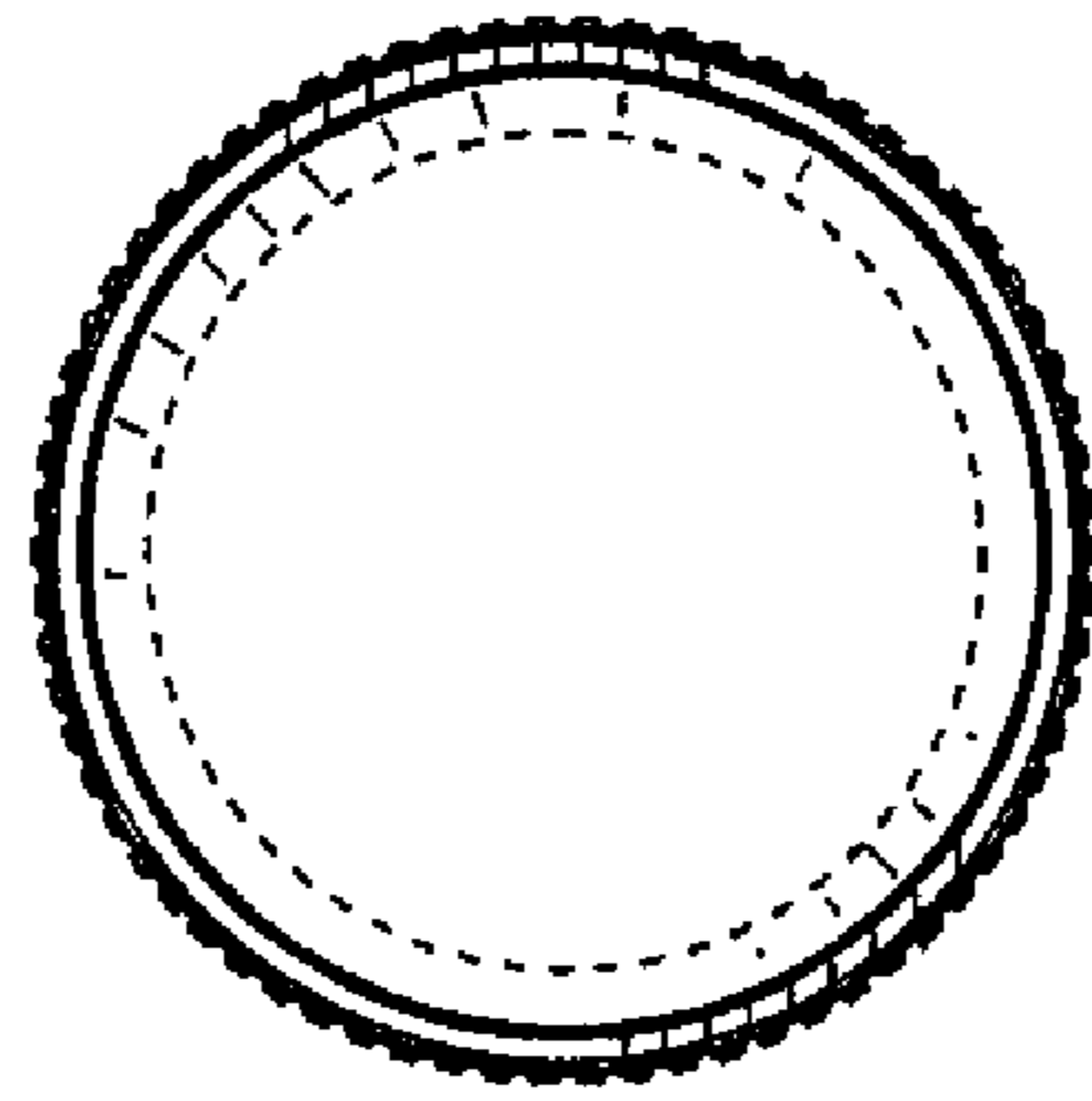
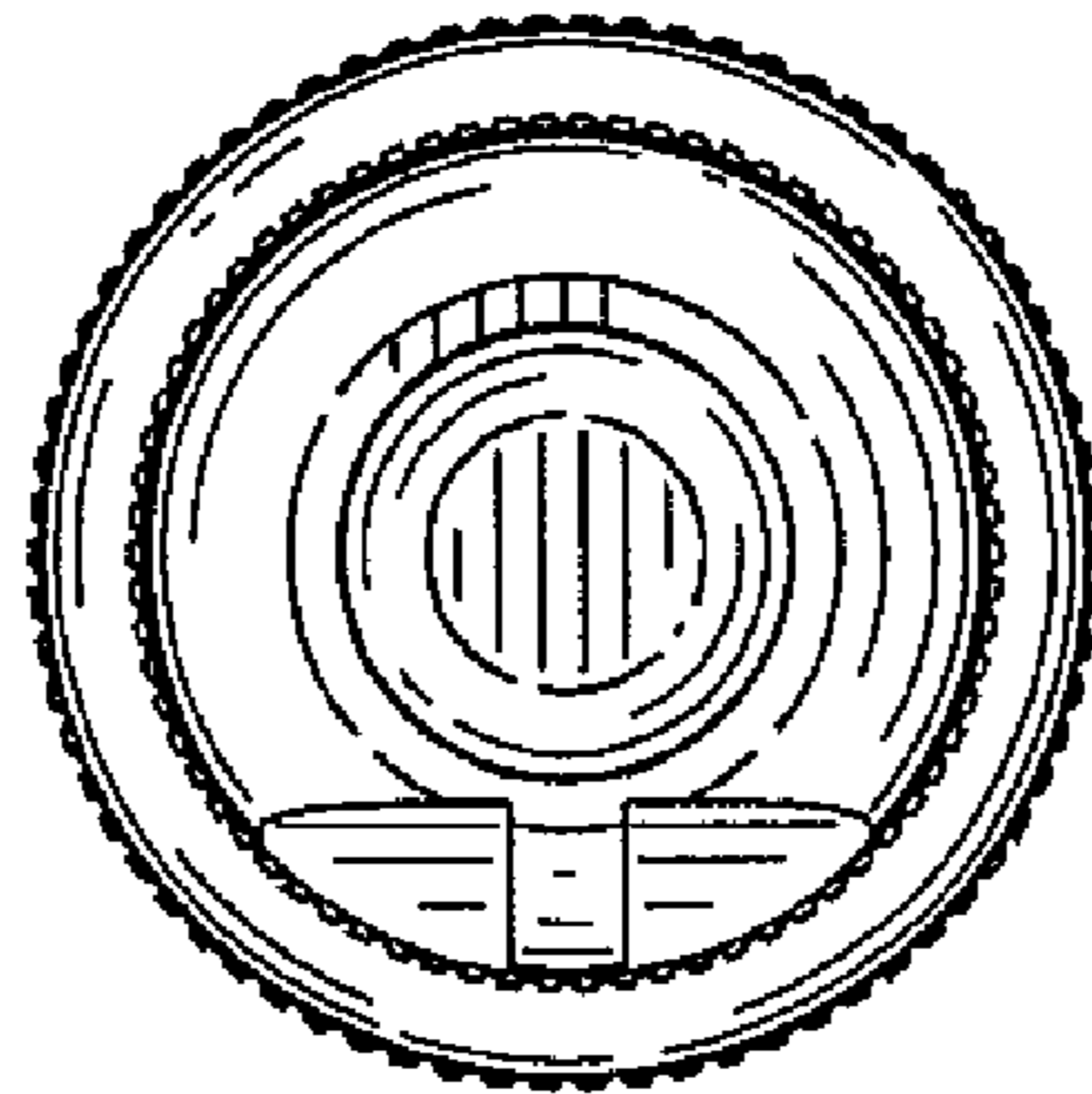


FIG. 10



**FIG. 11**



**FIG. 12**

UNITED STATES PATENT AND TRADEMARK OFFICE  
**CERTIFICATE OF CORRECTION**

PATENT NO. : Des. 601,287 S  
APPLICATION NO. : 29/330777  
DATED : September 29, 2009  
INVENTOR(S) : Caniparoli

Page 1 of 1

It is certified that error appears in the above-identified patent and that said Letters Patent is hereby corrected as shown below:

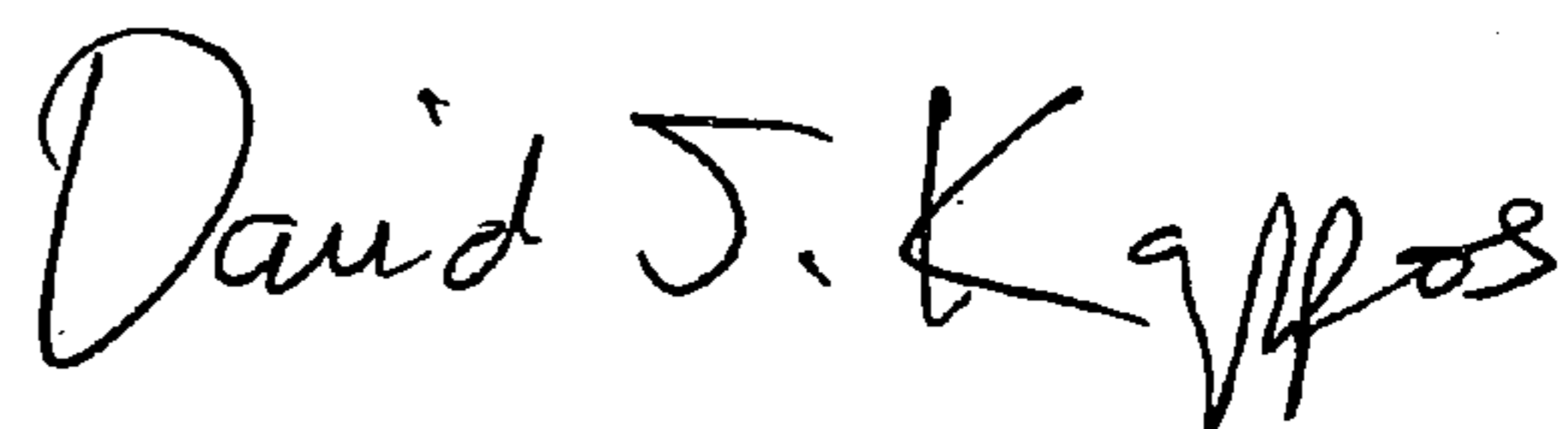
On Title page.

In the DESCRIPTION,

Line 11, "handle detail or no particular length" should read --handle detail of no particular length--.

Signed and Sealed this

Sixteenth Day of March, 2010



David J. Kappos  
*Director of the United States Patent and Trademark Office*