



US00D601285S

(12) **United States Design Patent**
Chen

(10) **Patent No.:** **US D601,285 S**

(45) **Date of Patent:** **** Sep. 29, 2009**

(54) **CHROME FLASHLIGHT WITH TEXTURED GRIP**

(75) Inventor: **Chi Gon Chen**, Guang Zhou (CN)

(73) Assignee: **International Development LLC**,
Roanoke, TX (US)

(**) Term: **14 Years**

(21) Appl. No.: **29/326,382**

(22) Filed: **Oct. 16, 2008**

(51) **LOC (9) Cl.** **26-02**

(52) **U.S. Cl.** **D26/49**

(58) **Field of Classification Search** D26/37,
D26/46, 48, 49, 50; 362/157, 158, 183, 184,
362/194, 195, 196, 202–208

See application file for complete search history.

(56) **References Cited**

U.S. PATENT DOCUMENTS

D481,147 S *	10/2003	Yang	D26/49
D486,936 S *	2/2004	Shiu	D26/49
D497,020 S *	10/2004	Lee	D26/49
D504,530 S *	4/2005	Shiu	D26/37
D512,525 S *	12/2005	Yang	D26/49
D533,674 S *	12/2006	Julius et al.	D26/49
D557,836 S *	12/2007	Shiu	D26/37

D563,007 S *	2/2008	Opolka	D26/49
D564,116 S *	3/2008	Linardos	D26/49
D576,757 S *	9/2008	Hesse et al.	D26/49
D577,452 S *	9/2008	Shiu	D26/49

* cited by examiner

Primary Examiner—Ian Simmons

Assistant Examiner—Carissa C Fitts

(74) *Attorney, Agent, or Firm*—David W. Carstens; Carstens & Cahoon, LLP

(57) **CLAIM**

The ornamental design for a chrome flashlight with textured grip, as shown and described.

DESCRIPTION

FIG. 1 is a perspective view of the chrome flashlight with textured grip of the present invention;

FIG. 2 is a top plan view thereof;

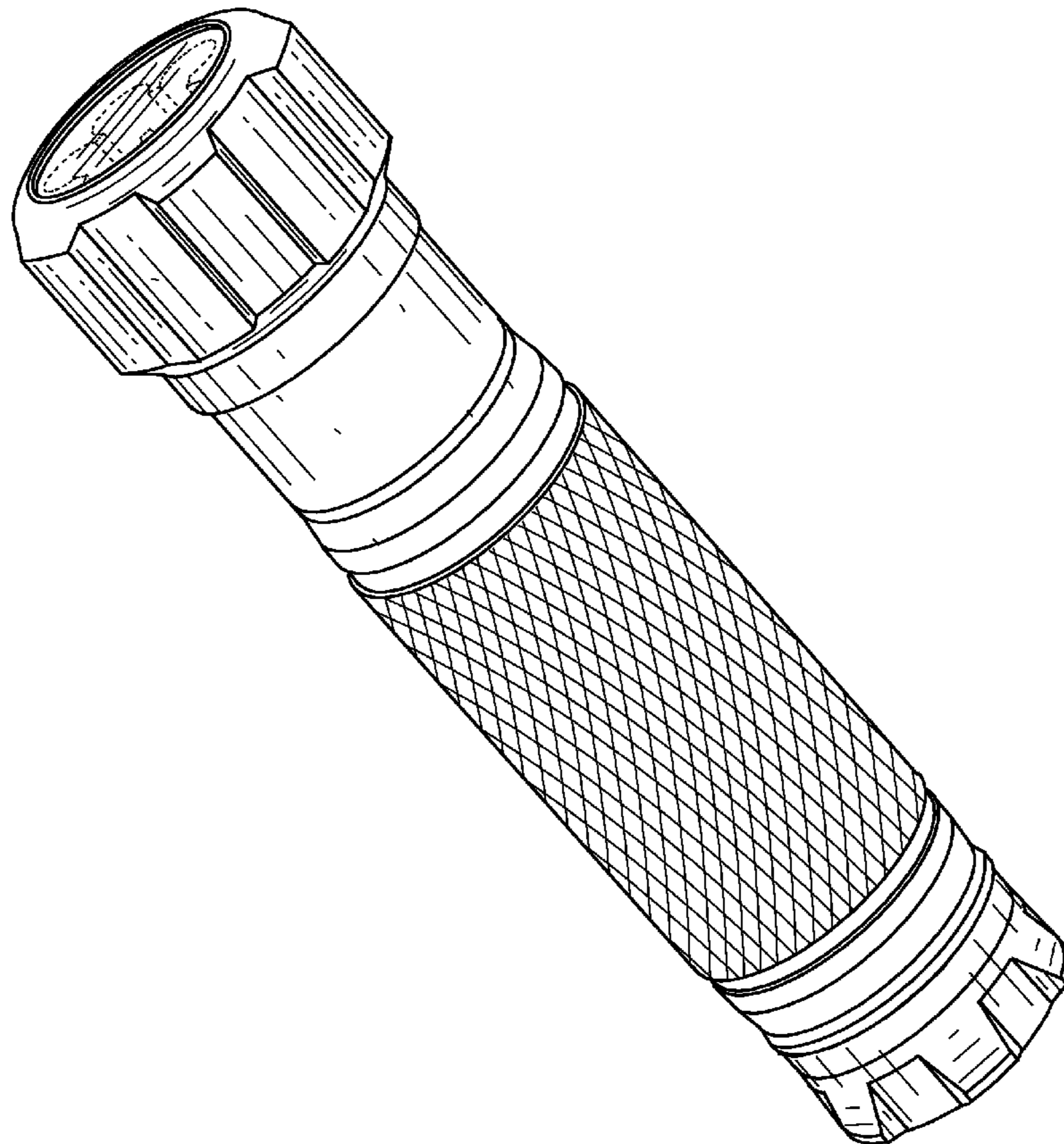
FIG. 3 is a front elevation view; the rear elevation view being the same;

FIG. 4 is a left side elevation view; the right side elevation view being the same; and,

FIG. 5 is a bottom plan view.

The broken line showing is for environmental purposes only and forms no part of the claimed design.

1 Claim, 2 Drawing Sheets



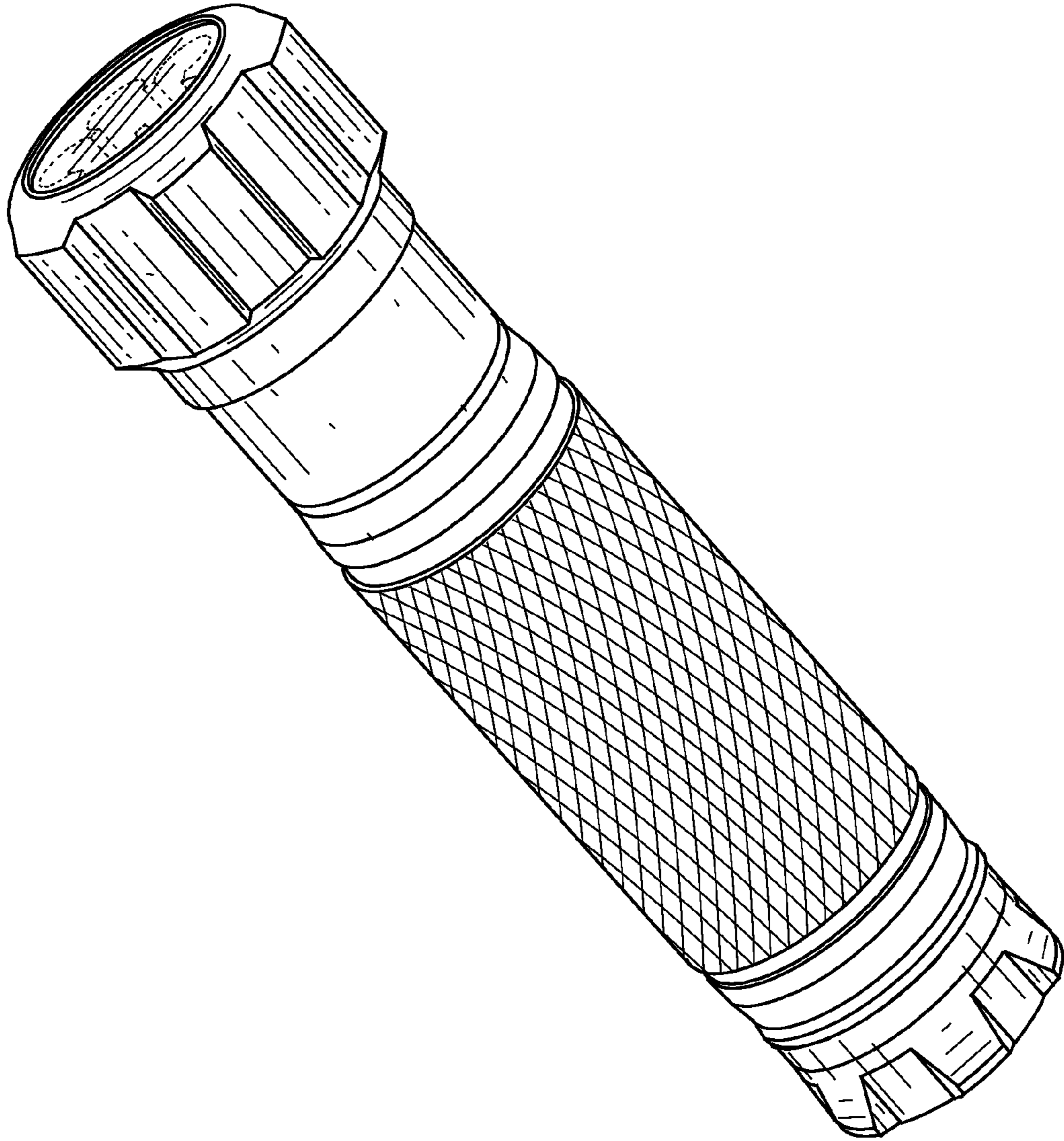


Fig. 1

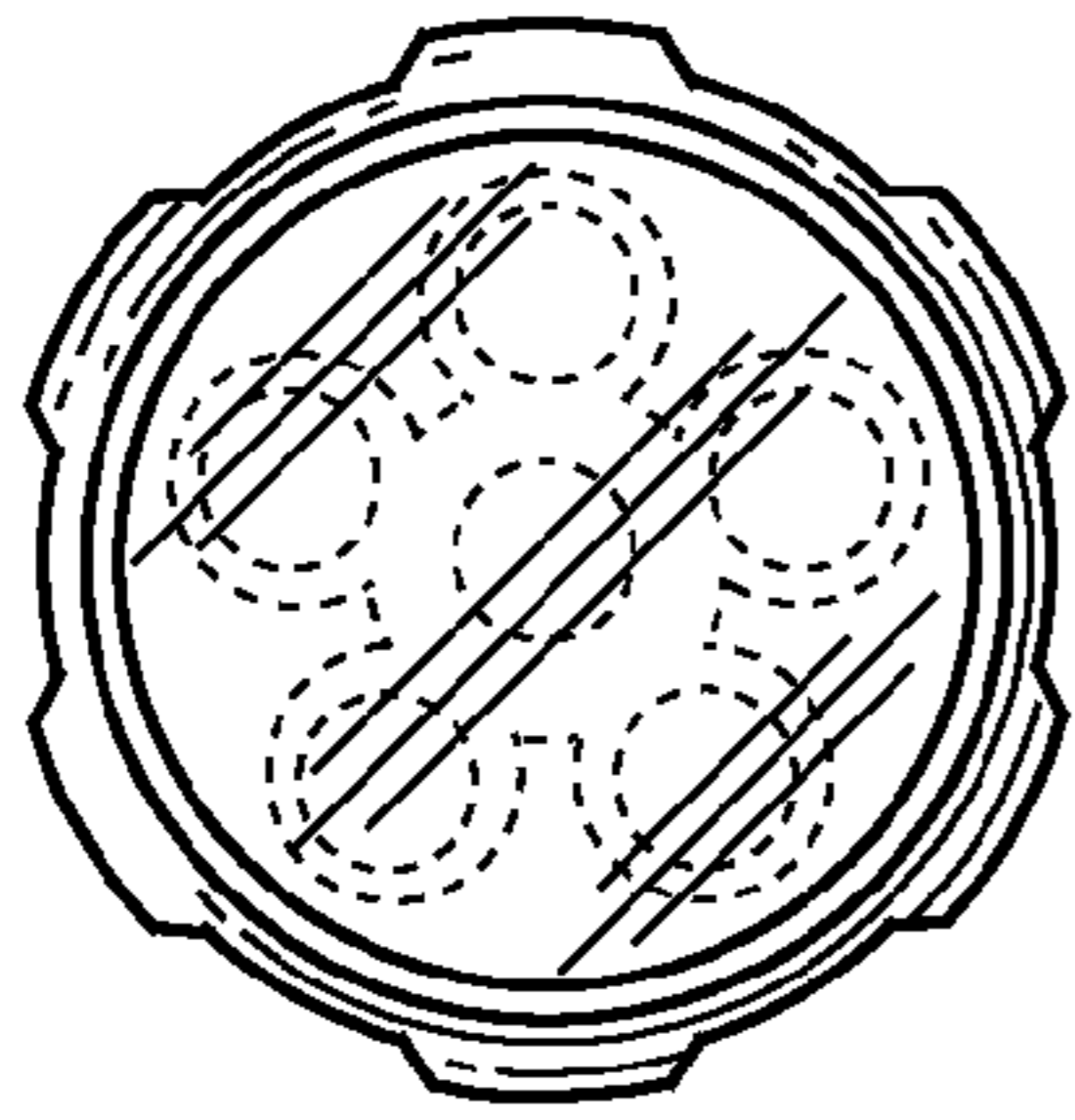


Fig. 2

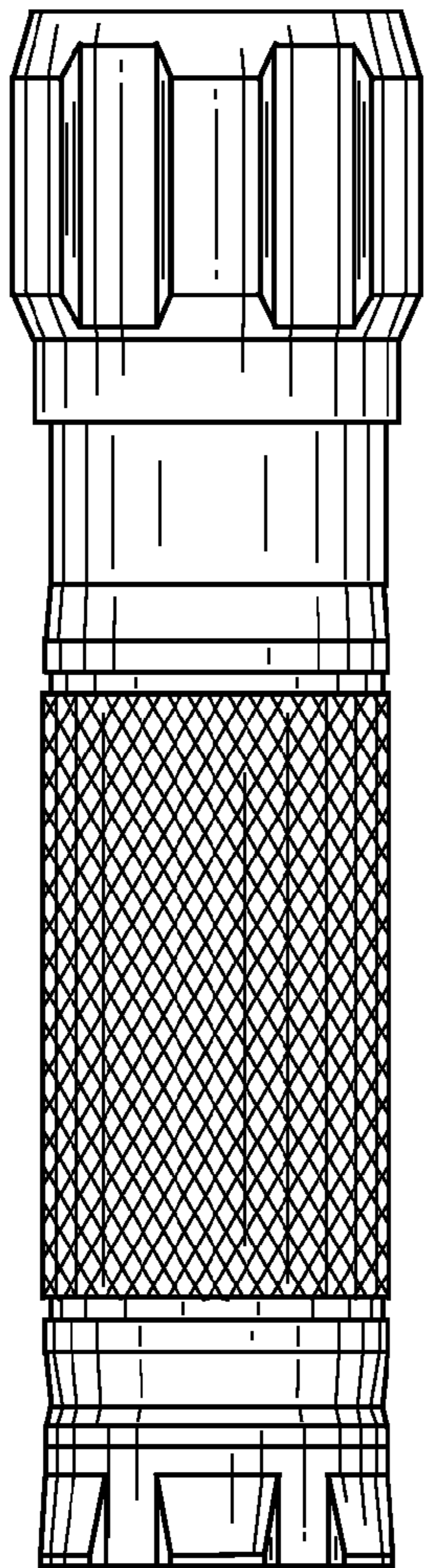


Fig. 3

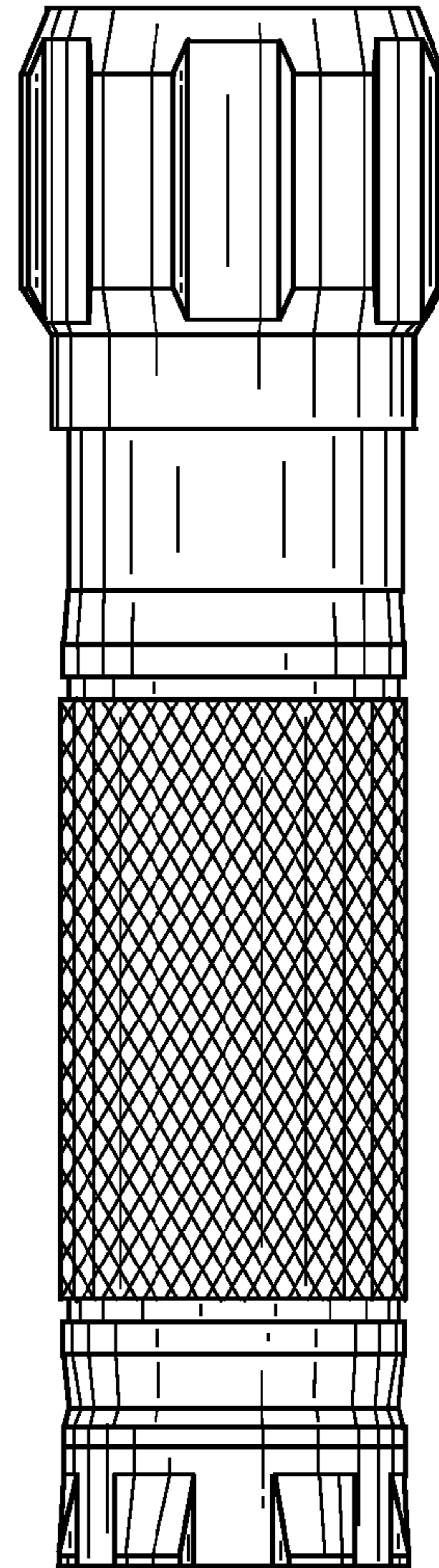


Fig. 4

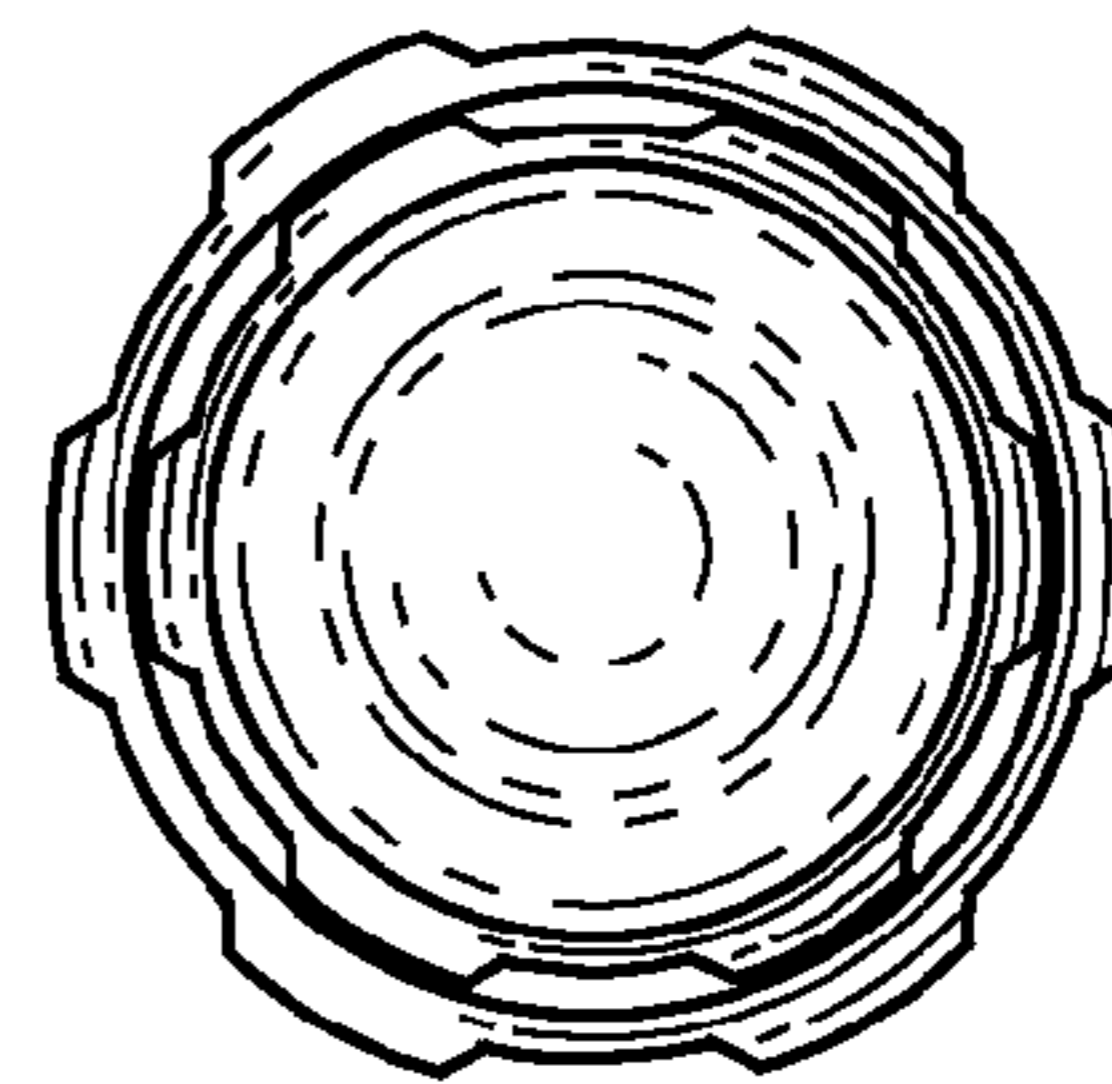


Fig. 5