



US00D601282S

(12) **United States Design Patent**
Howard et al.

(10) **Patent No.:** **US D601,282 S**
(45) **Date of Patent:** **** Sep. 29, 2009**

(54) **LED NIGHT-LIGHT**

(75) Inventors: **Kenneth A. Howard**, Creve Coeur, MO (US); **Matthew S. Smith**, St. Charles, MO (US)

(73) Assignee: **Mary Elle Fashions**, St. Louis, MO (US)

(**) Term: **14 Years**

(21) Appl. No.: **29/331,278**

(22) Filed: **Jan. 22, 2009**

(51) **LOC (9) Cl.** **26-05**

(52) **U.S. Cl.** **D26/26**

(58) **Field of Classification Search** D26/24,
D26/26, 37, 38, 39, 40, 44, 47, 49, 51, 52,
D26/57, 60, 61, 63, 67, 72, 73, 88, 95, 113,
D26/118, 125, 156, 85, 89; D13/107, 108;
D14/432, 435.1, 255, 356; D23/366, 367,
D23/369; 362/217.02, 640, 641, 642, 643,
362/644, 652, 653, 657, 658, 659, 477, 88,
362/89, 98, 103, 104, 105, 109, 157, 171,
362/183, 190, 191, 194, 195, 249.1, 249.11,
362/311.01, 311.04, 311.05, 806, 147, 404
See application file for complete search history.

(56) **References Cited**

U.S. PATENT DOCUMENTS

D381,452 S *	7/1997	Landefeld	D26/85
D459,502 S *	6/2002	Chen	D26/26
D459,503 S *	6/2002	Chen	D26/26
D459,504 S *	6/2002	Chen	D26/26
D460,202 S *	7/2002	Stekelenburg	D26/26
6,499,853 B2 *	12/2002	Stekelenburg	362/84
D468,460 S *	1/2003	Yu	D26/26
6,561,677 B1 *	5/2003	Leen	362/276
D482,486 S *	11/2003	Demers	D26/85
D483,460 S *	12/2003	Millan	D23/366

D551,362 S *	9/2007	Ottosson et al.	D26/26
D571,949 S *	6/2008	Wedding et al.	D26/120
D585,129 S *	1/2009	Huang	D23/366

* cited by examiner

Primary Examiner—Jennifer Rivard

Assistant Examiner—Angela J Lee

(74) *Attorney, Agent, or Firm*—Senniger Powers LLP

(57) **CLAIM**

The ornamental design for an LED night-light, as shown and described.

DESCRIPTION

FIG. 1 is a perspective view of the LED night-light of the invention;

FIG. 2 is a front view thereof;

FIG. 3 is a right side view thereof;

FIG. 4 is a top plan view thereof;

FIG. 5 is a rear view thereof;

FIG. 6 is a left side view thereof; and,

FIG. 7 is a bottom plan view thereof.

The indentation shown in broken lines in FIGS. 1 and 2 is for illustrative purposes only and is not part of the claimed design.

The sensor shown in broken lines in FIGS. 1, 3, 4, 5 and 6 is for illustrative purposes only and is not part of the claimed design.

The electrical plug shown in broken lines in FIGS. 3, 4, 5, 6 and 7 is for illustrative purposes only and is not part of the claimed design.

The screw heads and accompanying indentations shown in broken lines in FIG. 5 is for illustrative purposes only and is not part of the claimed design.

1 Claim, 7 Drawing Sheets

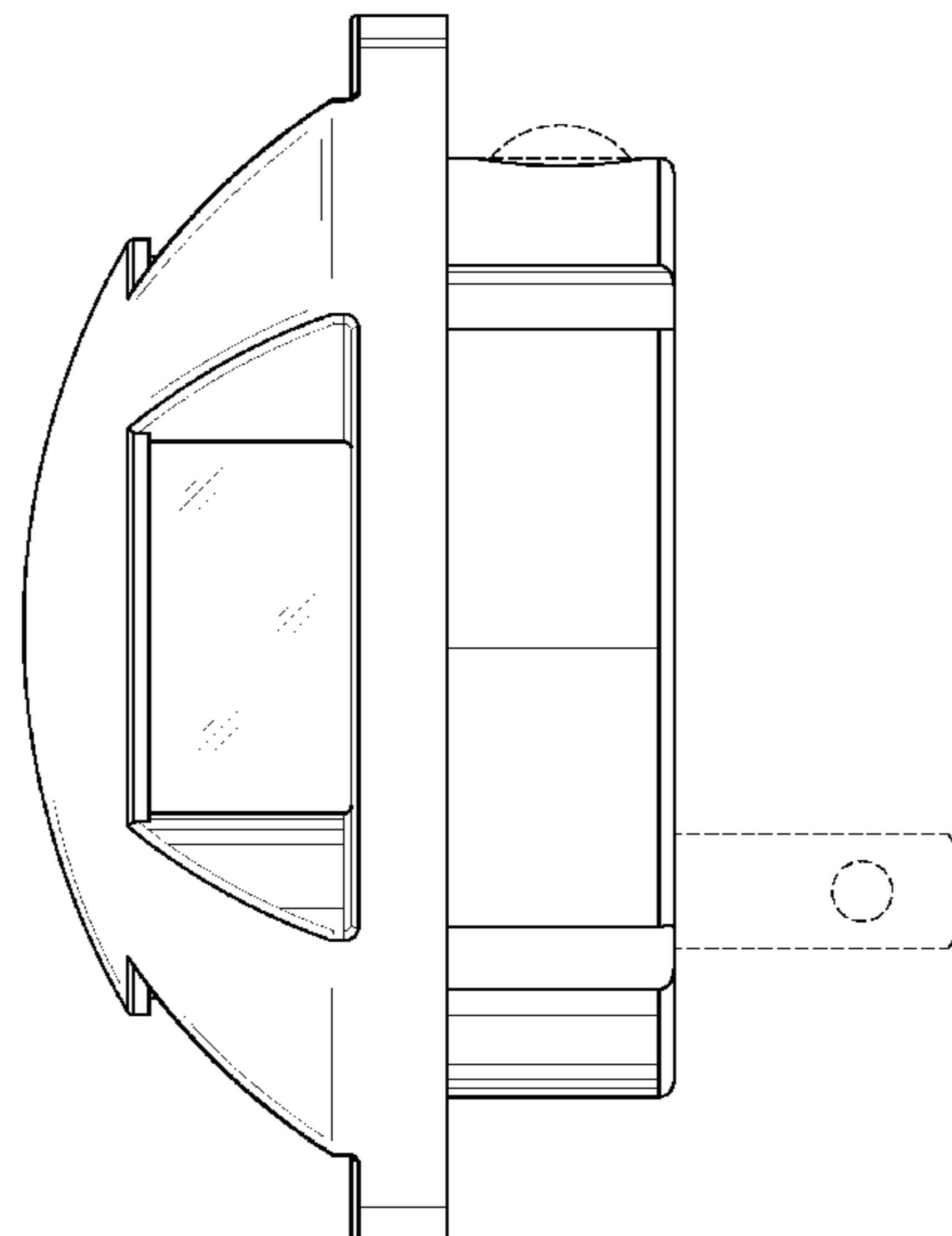
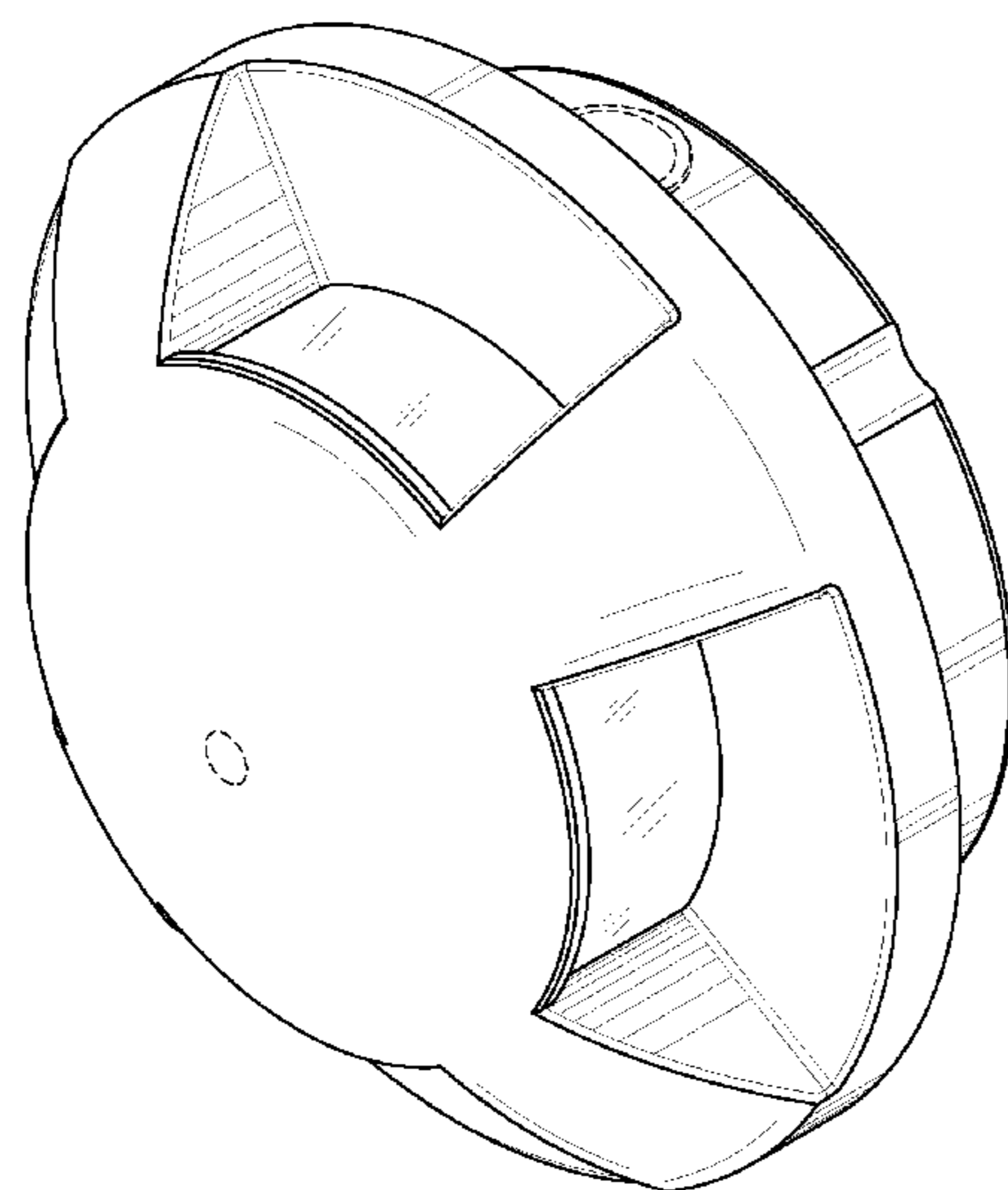


FIG. 1

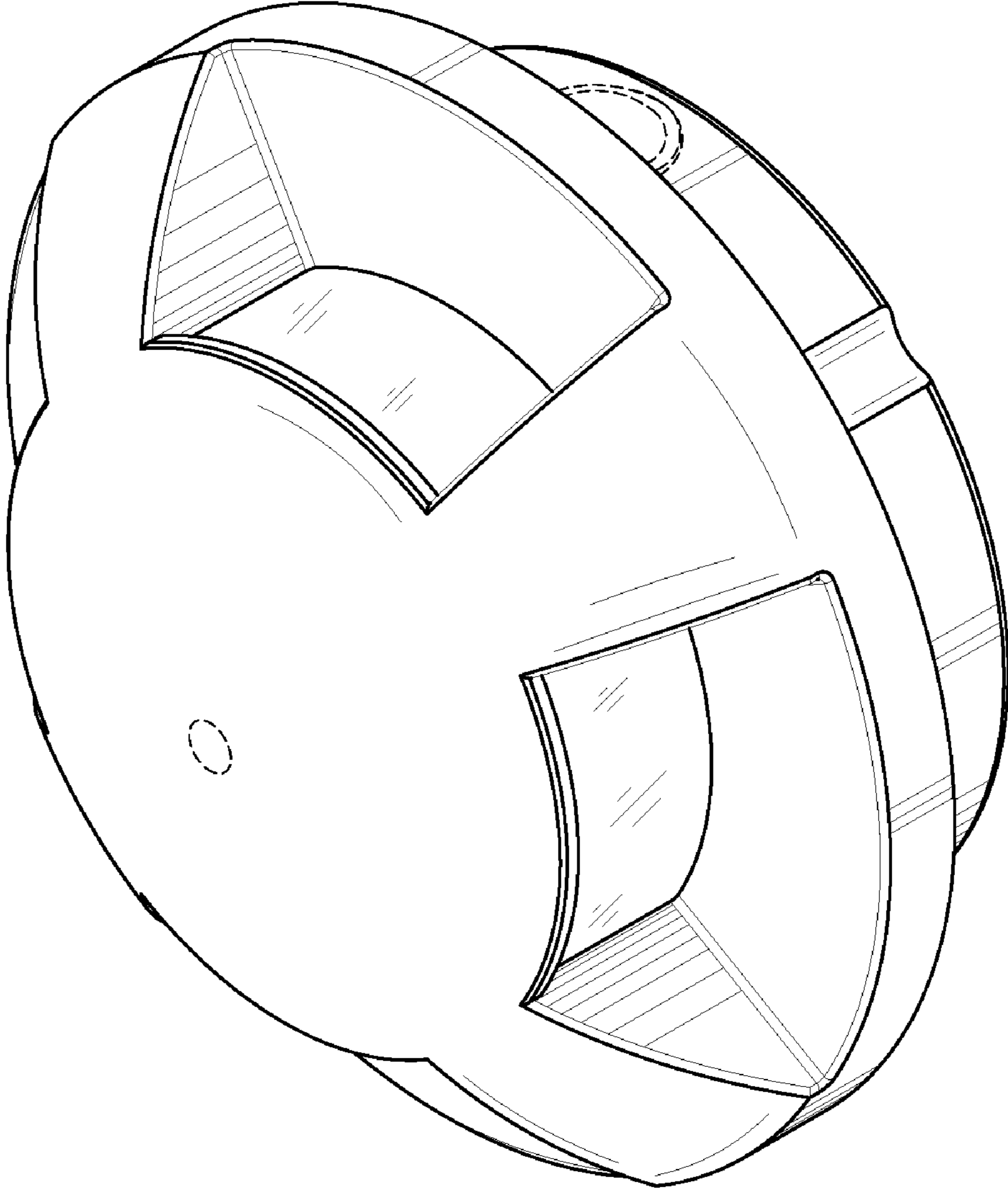


FIG. 2

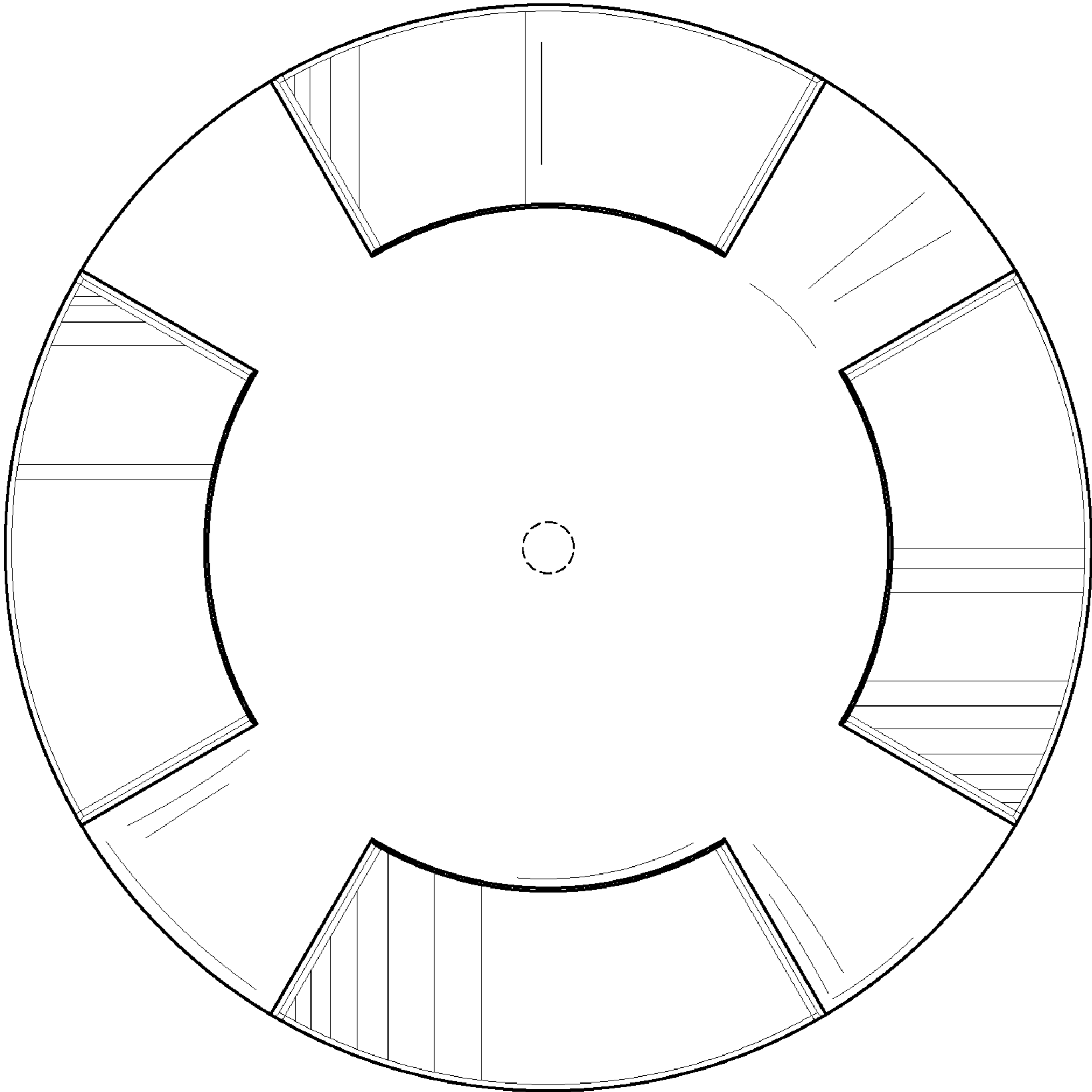


FIG. 3

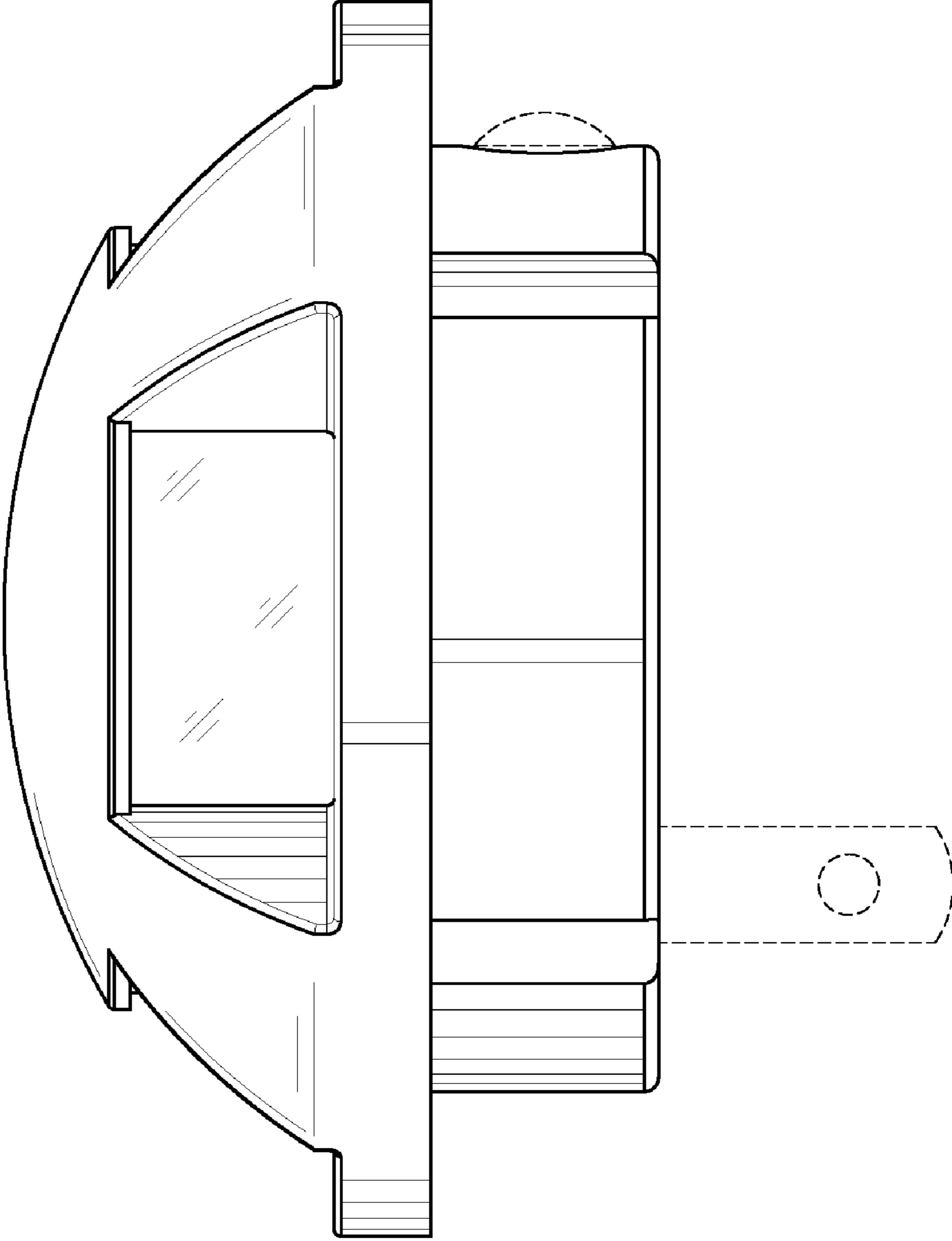


FIG. 4

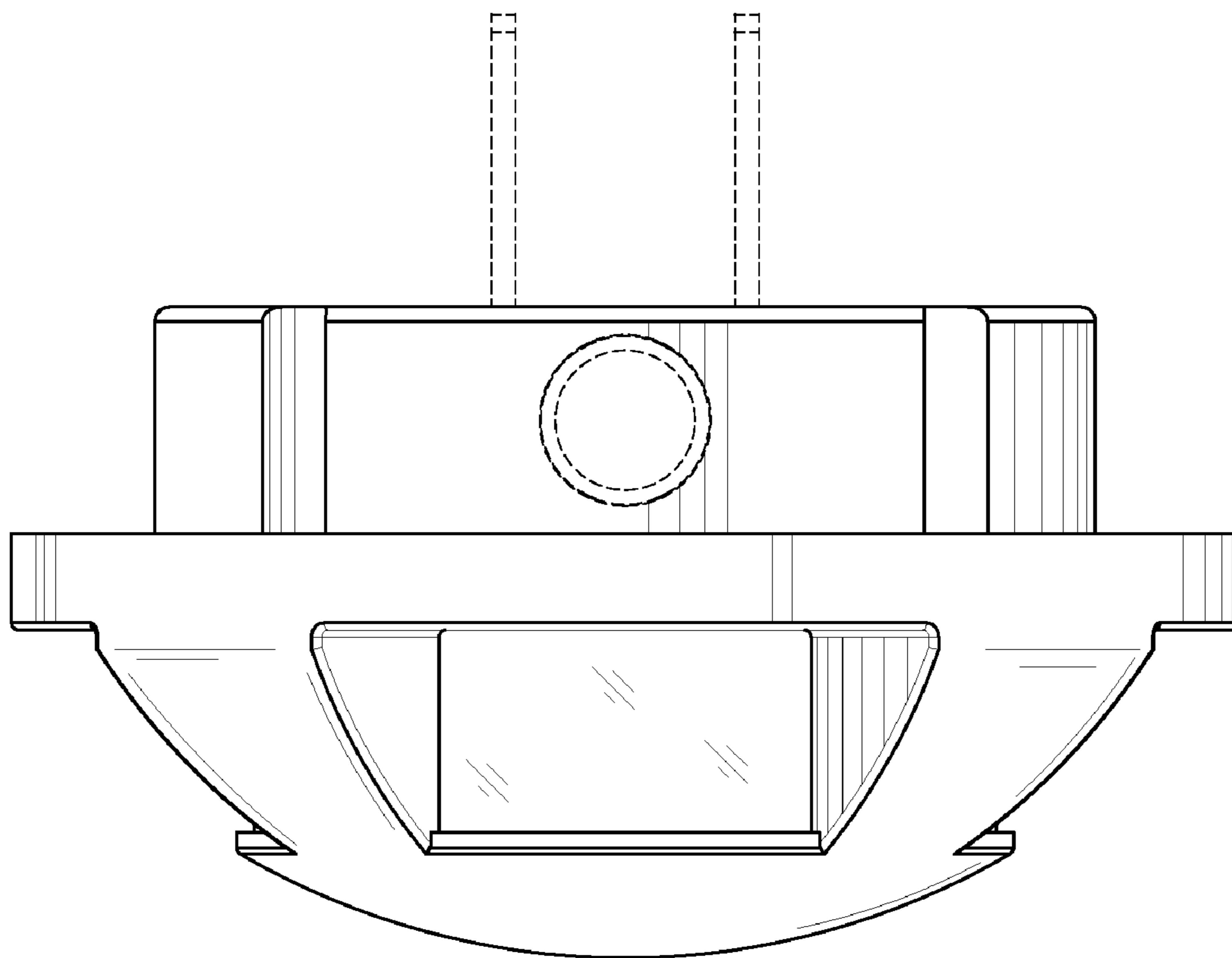


FIG. 5

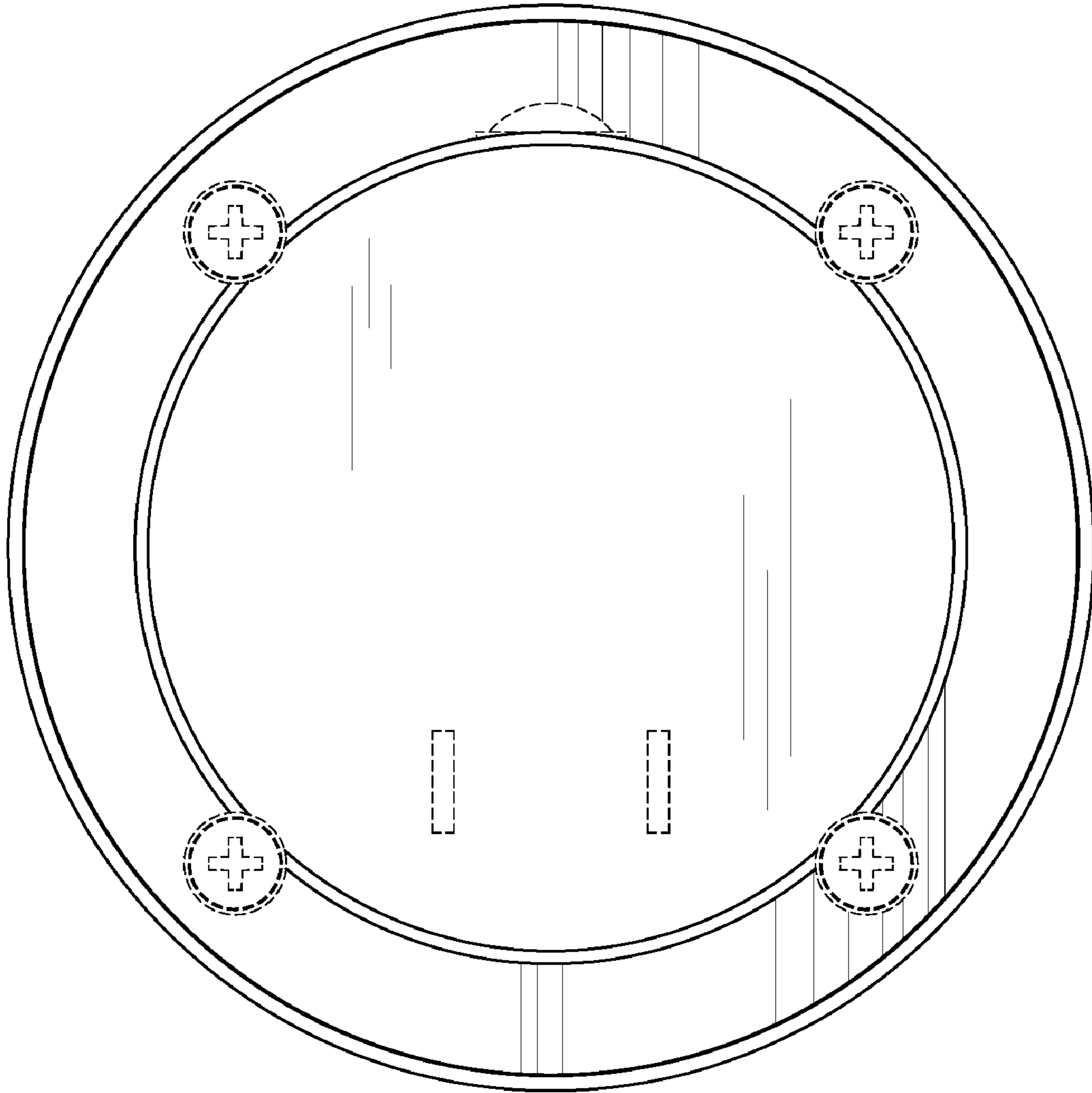


FIG. 6

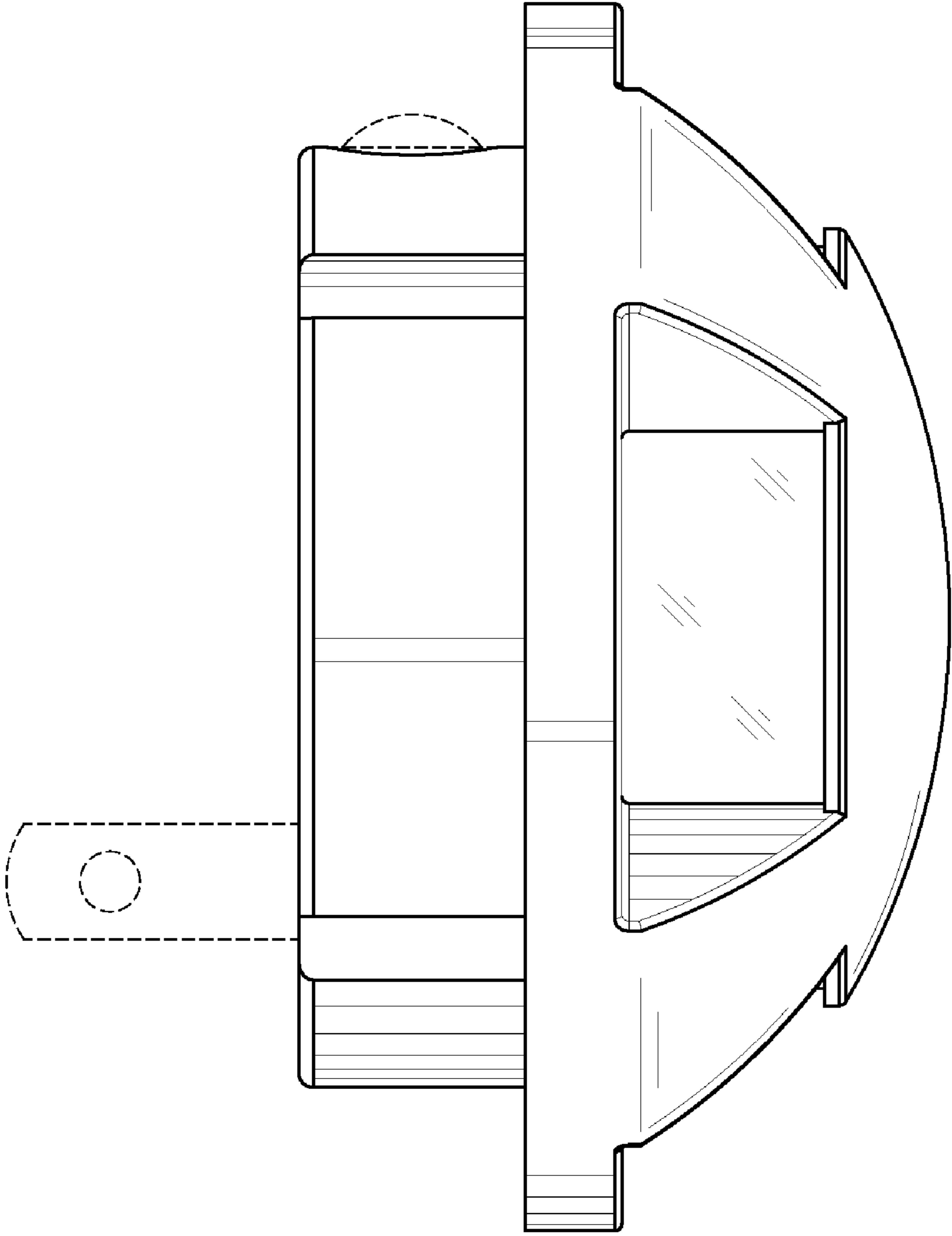


FIG. 7

