



US00D601281S

(12) **United States Design Patent**
Howard et al.

(10) **Patent No.:** **US D601,281 S**
(45) **Date of Patent:** **** Sep. 29, 2009**

(54) **LED NIGHT-LIGHT WITH SQUARE ILLUMINATOR**

(75) Inventors: **Kenneth A. Howard**, Creve Coeur, MO (US); **Matthew S. Smith**, St. Charles, MO (US)

(73) Assignee: **Mary Elle Fashions**, St. Louis, MO (US)

(**) Term: **14 Years**

(21) Appl. No.: **29/331,231**

(22) Filed: **Jan. 22, 2009**

(51) **LOC (9) Cl.** **26-05**

(52) **U.S. Cl.** **D26/26**

(58) **Field of Classification Search** D26/24, D26/26, 37, 38, 39, 40, 44, 47, 49, 51, 52, D26/57, 60, 61, 63, 67, 72, 73, 88, 95, 113, D26/118, 125, 156, 85, 89; D13/107, 108; D14/432, 435.1, 255, 356; D23/366, 367, D23/369; 362/217.02, 640, 641, 642, 643, 362/644, 652, 653, 657, 658, 659, 477, 88, 362/89, 98, 103, 104, 105, 109, 157, 171, 362/183, 190, 191, 194, 195, 249.1, 249.11, 362/311.01, 311.04, 311.05, 806, 147, 404
See application file for complete search history.

(56) **References Cited**

U.S. PATENT DOCUMENTS

D280,014 S *	8/1985	Tanaka	D23/366
D352,564 S *	11/1994	Marischen	D26/26
D376,214 S *	12/1996	Pinchuk	D26/26
D387,453 S *	12/1997	Protzek	D26/39
D404,508 S *	1/1999	Marischen	D26/26
D417,026 S *	11/1999	Taylor et al.	D26/67
D426,657 S *	6/2000	Joss	D26/26
D491,289 S *	6/2004	Krieger et al.	D26/26

D493,907 S *	8/2004	Benensohn	D26/89
D536,082 S *	1/2007	Pugh	D23/366
D582,064 S *	12/2008	Mukai	D26/24
2004/0196663 A1 *	10/2004	Ishida et al.	362/539
2009/0046470 A1 *	2/2009	Lai et al.	362/311

* cited by examiner

Primary Examiner—Jennifer Rivard

Assistant Examiner—Angela J Lee

(74) *Attorney, Agent, or Firm*—Senniger Powers LLP

(57) **CLAIM**

The ornamental design for an LED night-light with square illuminator, as shown and described.

DESCRIPTION

FIG. 1 is a perspective view of the LED night-light of the invention;

FIG. 2 is a front view thereof;

FIG. 3 is a right side view thereof;

FIG. 4 is a top plan view thereof;

FIG. 5 is a rear view thereof;

FIG. 6 is a left side view thereof; and,

FIG. 7 is a bottom plan view thereof.

The sensor shown in broken lines in FIGS. 1, 2, 3, 4, 5 and 6 is for illustrative purposes only and is not part of the claimed design.

The electrical plug shown in broken lines in FIGS. 3, 4, 5, 6 and 7 is for illustrative purposes only and is not part of the claimed design.

The screw heads and accompanying indentations shown in broken lines in FIG. 5 is for illustrative purposes only and is not part of the claimed design.

1 Claim, 7 Drawing Sheets

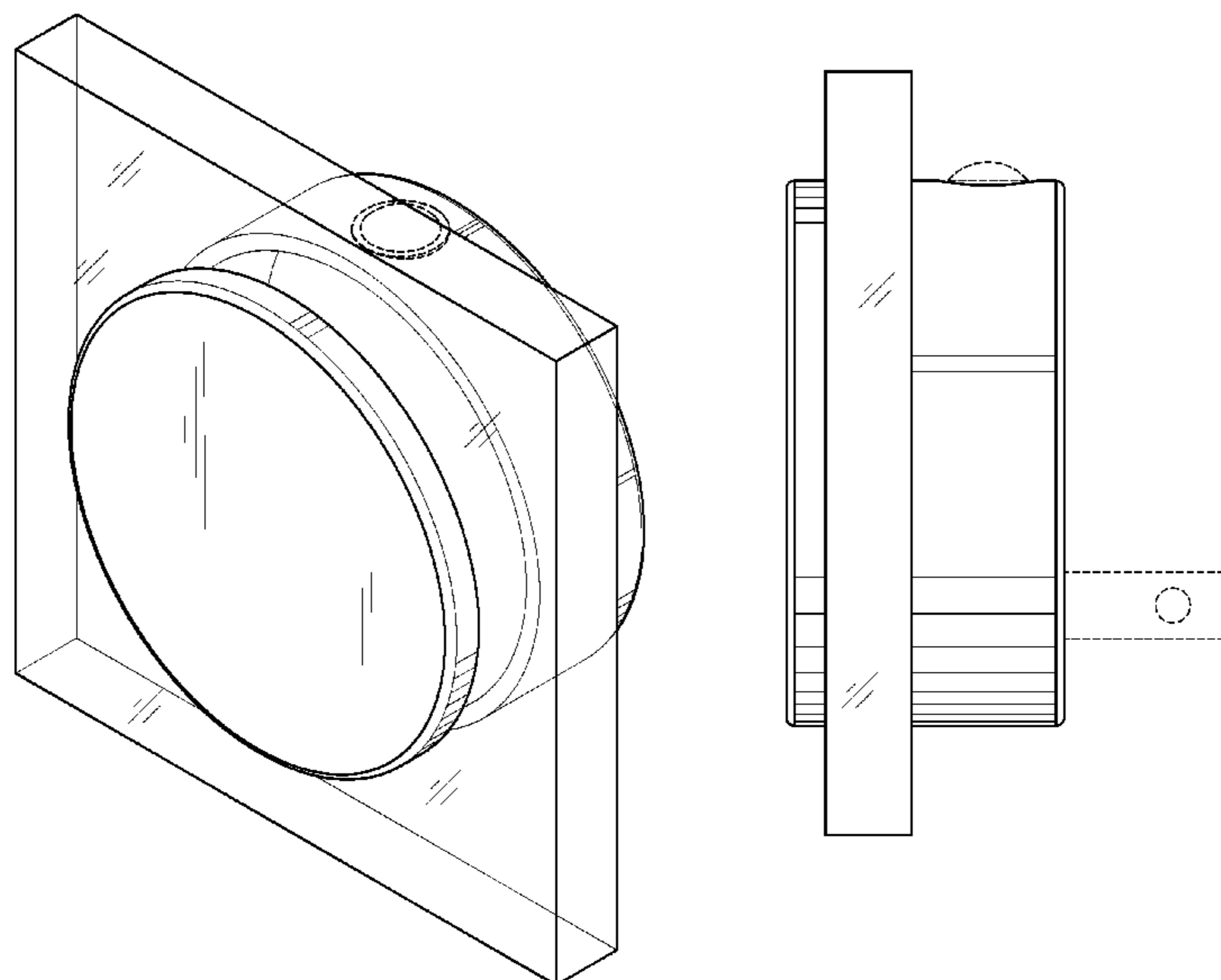


FIG. 1

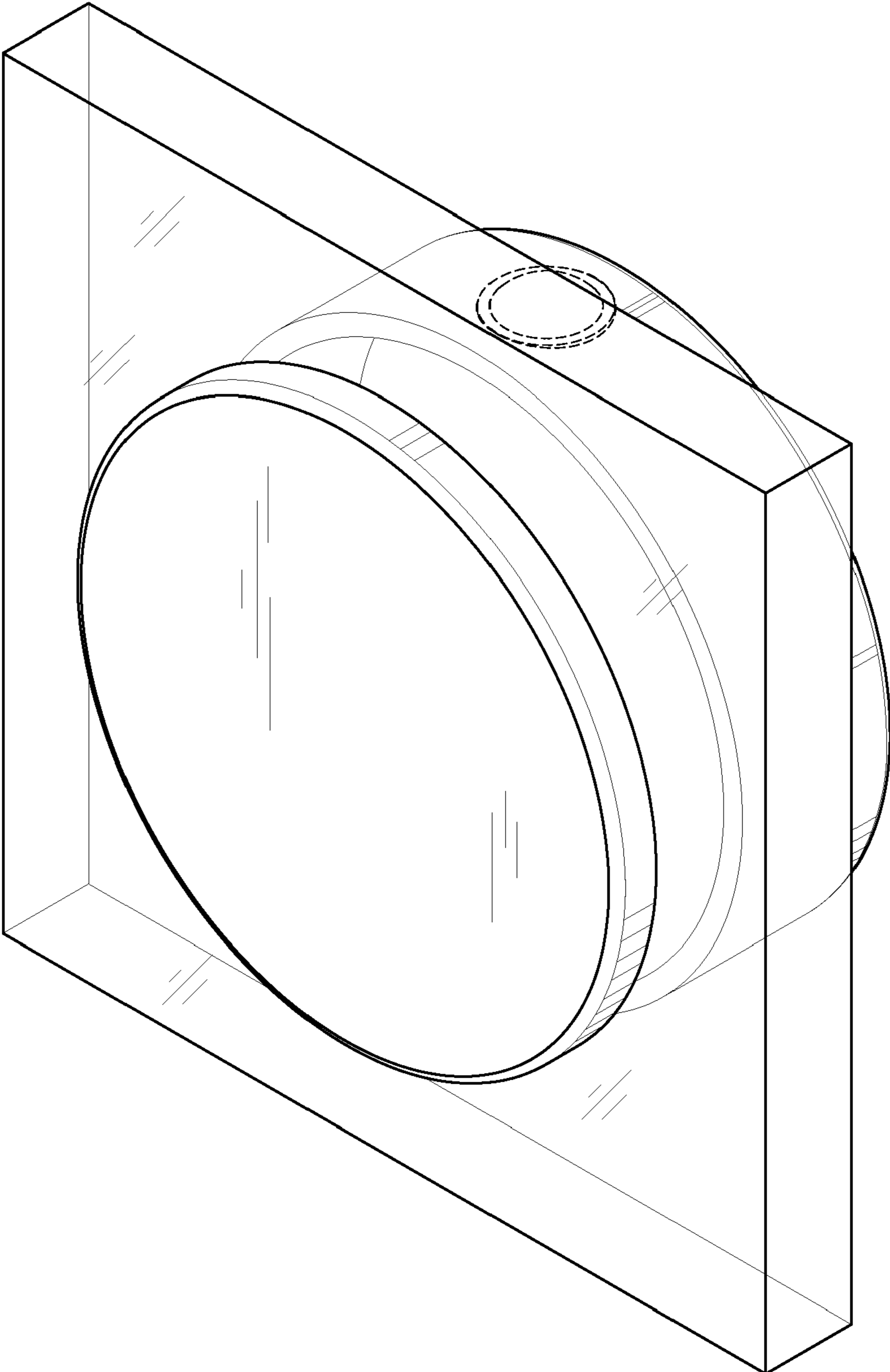


FIG. 2

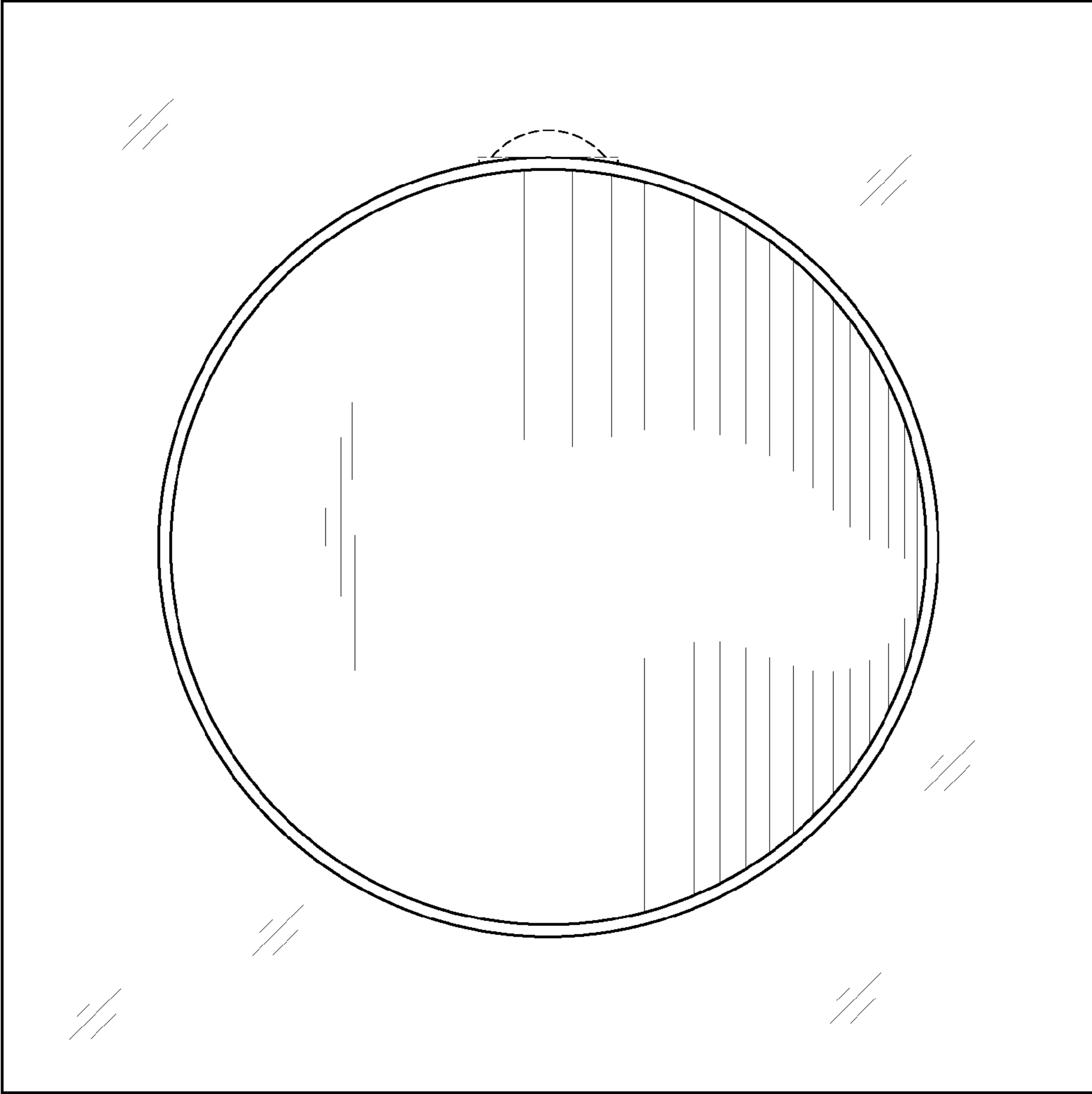


FIG. 3

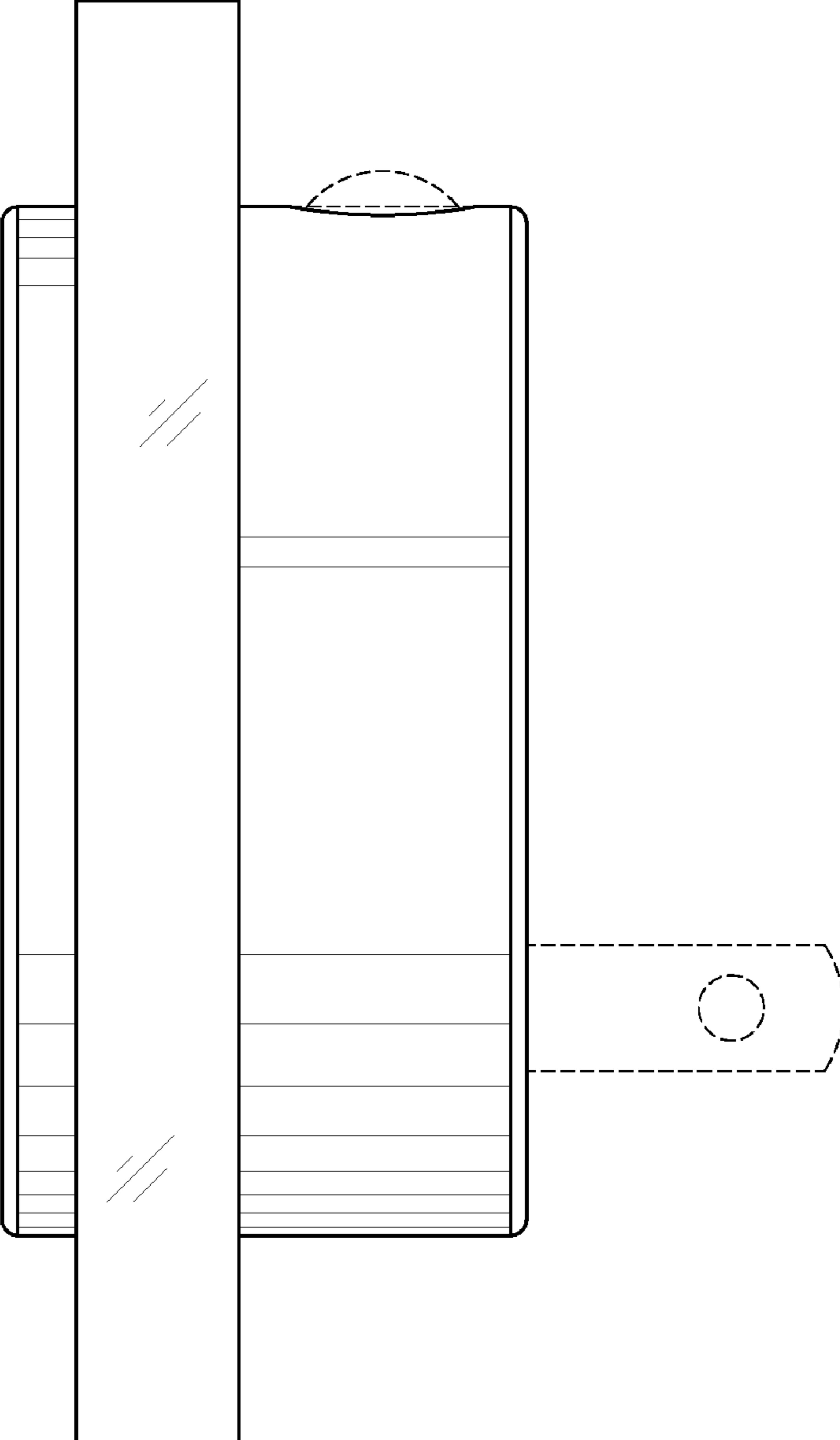


FIG. 4

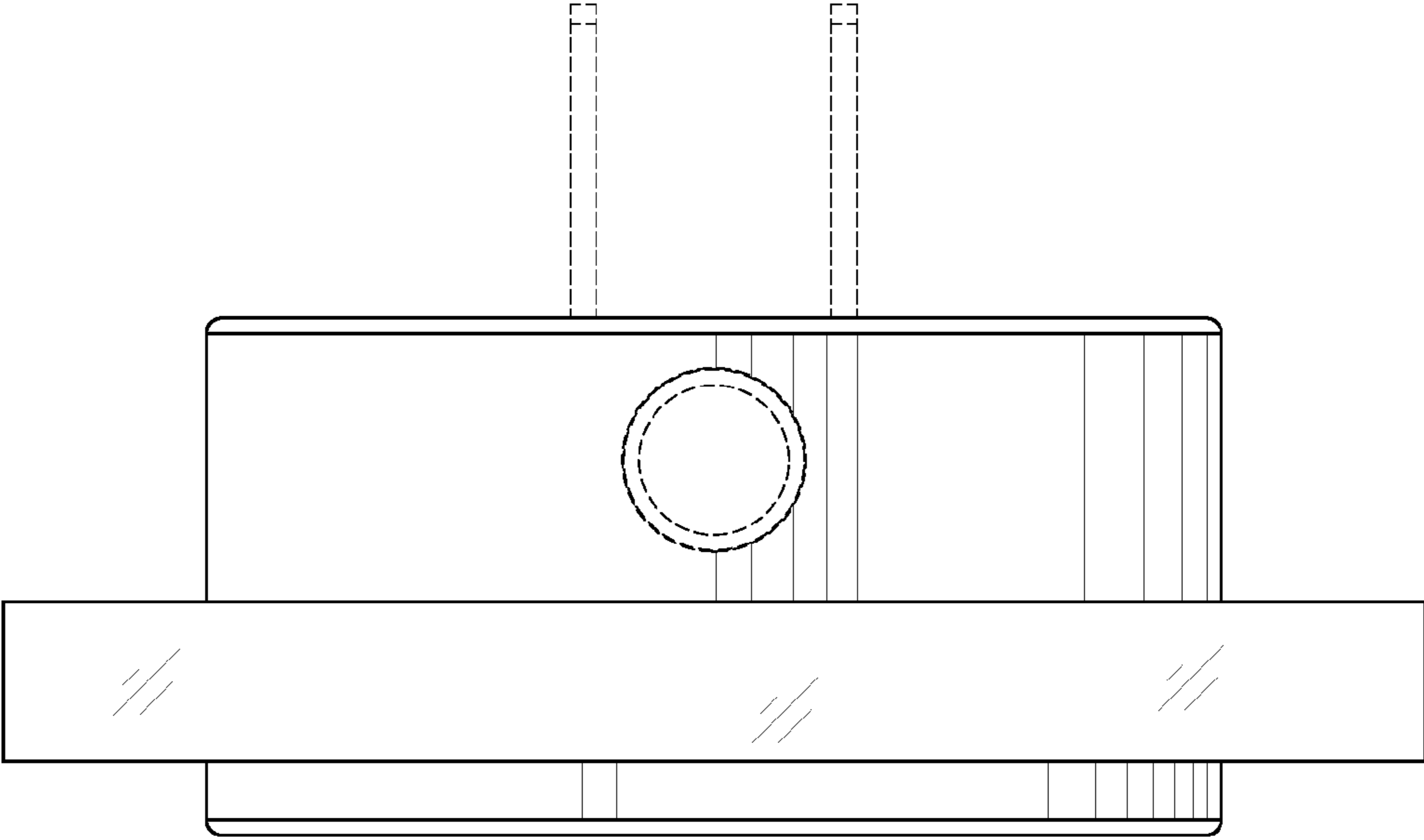


FIG. 5

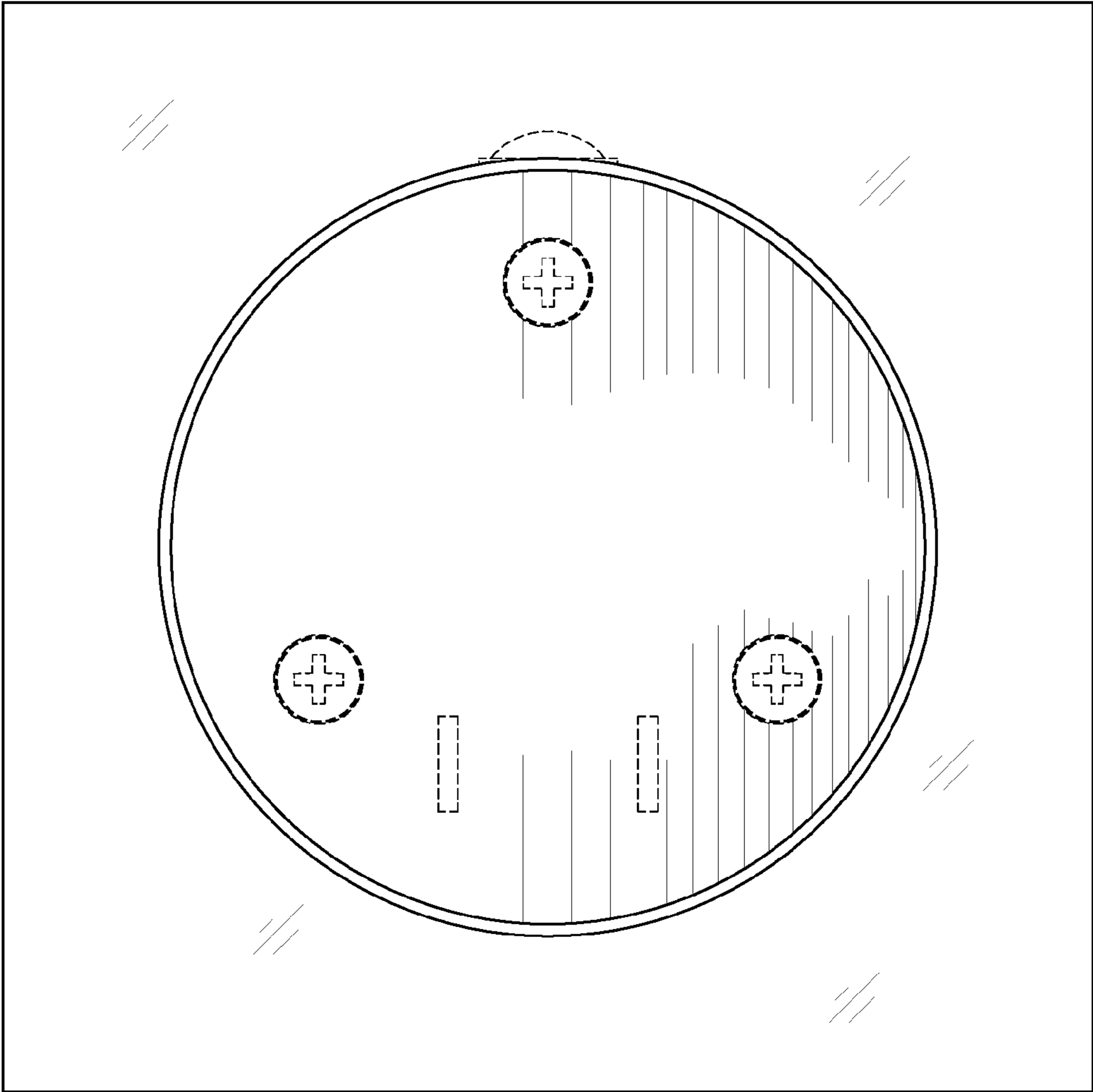


FIG. 6

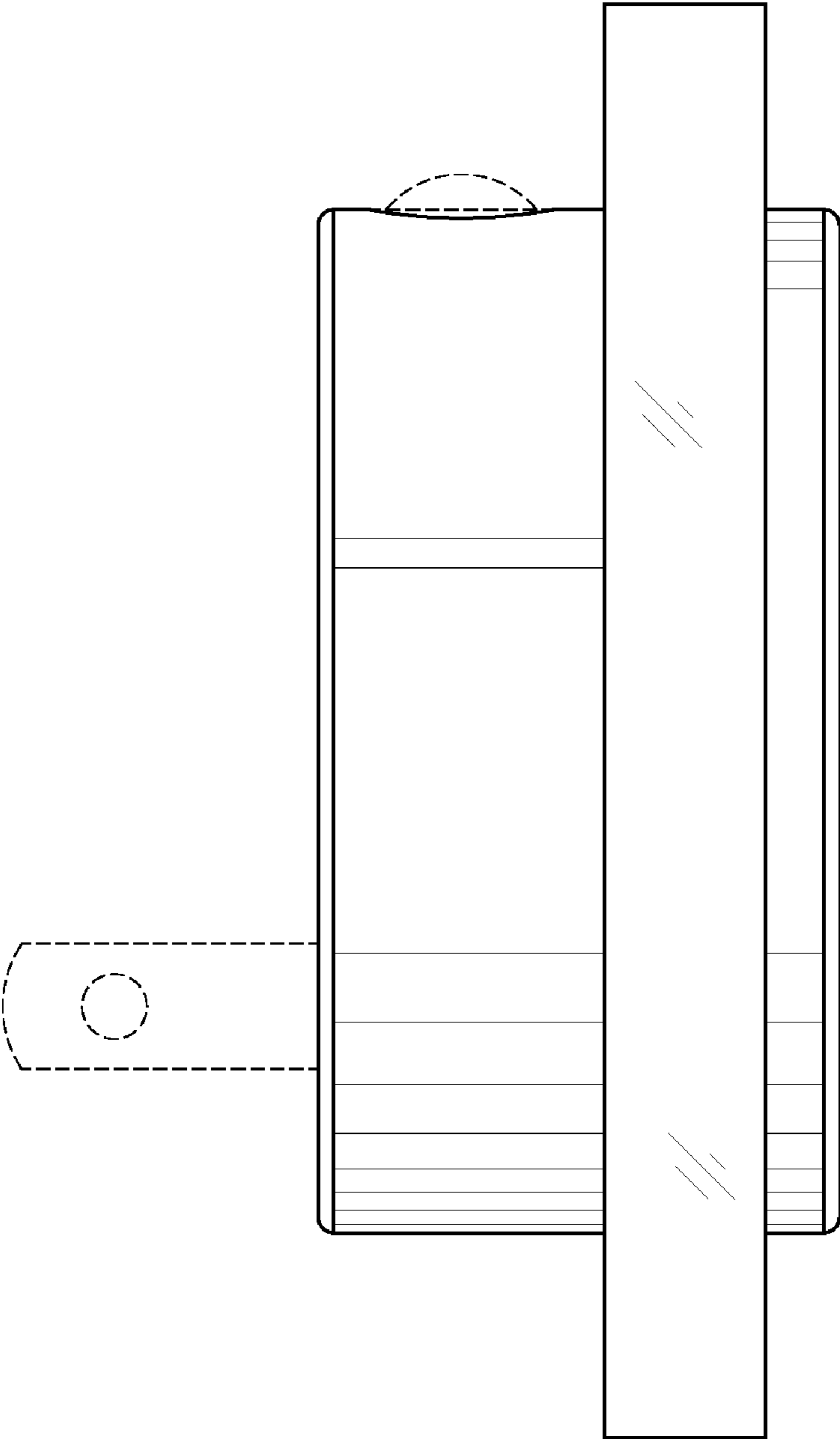


FIG. 7

