



US00D601280S

(12) **United States Design Patent**
Hsu

(10) **Patent No.:** **US D601,280 S**

(45) **Date of Patent:** **** Sep. 29, 2009**

(54) **LED LAMP**

D550,869 S * 9/2007 Hoshikawa et al. D26/25
D573,272 S * 7/2008 Handsaker D26/25

(75) Inventor: **Chi-Yuan Hsu**, 2F., No. 23, Wucyuan Rd., Wugu Township, Taipei County 248 (TW)

* cited by examiner

Primary Examiner—Marcus A Jackson

(73) Assignees: **Chi-Yuan Hsu**, Taipei County (TW); **iLEDM photoelectronics, Inc.**, Taipei County (TW)

(74) *Attorney, Agent, or Firm*—Banger Shia

(**) Term: **14 Years**

(57) **CLAIM**

The ornamental design for a LED lamp, as shown and described.

(21) Appl. No.: **29/325,522**

(22) Filed: **Oct. 1, 2008**

DESCRIPTION

(51) **LOC (9) Cl.** **26-04**

FIG. 1 is a perspective view of a LED lamp showing my new design;

(52) **U.S. Cl.** **D26/3**

FIG. 2 is a front elevational view thereof;

(58) **Field of Classification Search** D26/1-4;
313/313, 315, 316, 317, 318; 315/52, 53,
315/56, 57, 58

FIG. 3 is a rear elevational view thereof;

FIG. 4 is a left side elevational view thereof;

See application file for complete search history.

FIG. 5 is a right side elevational view thereof;

FIG. 6 is a top plan view thereof; and,

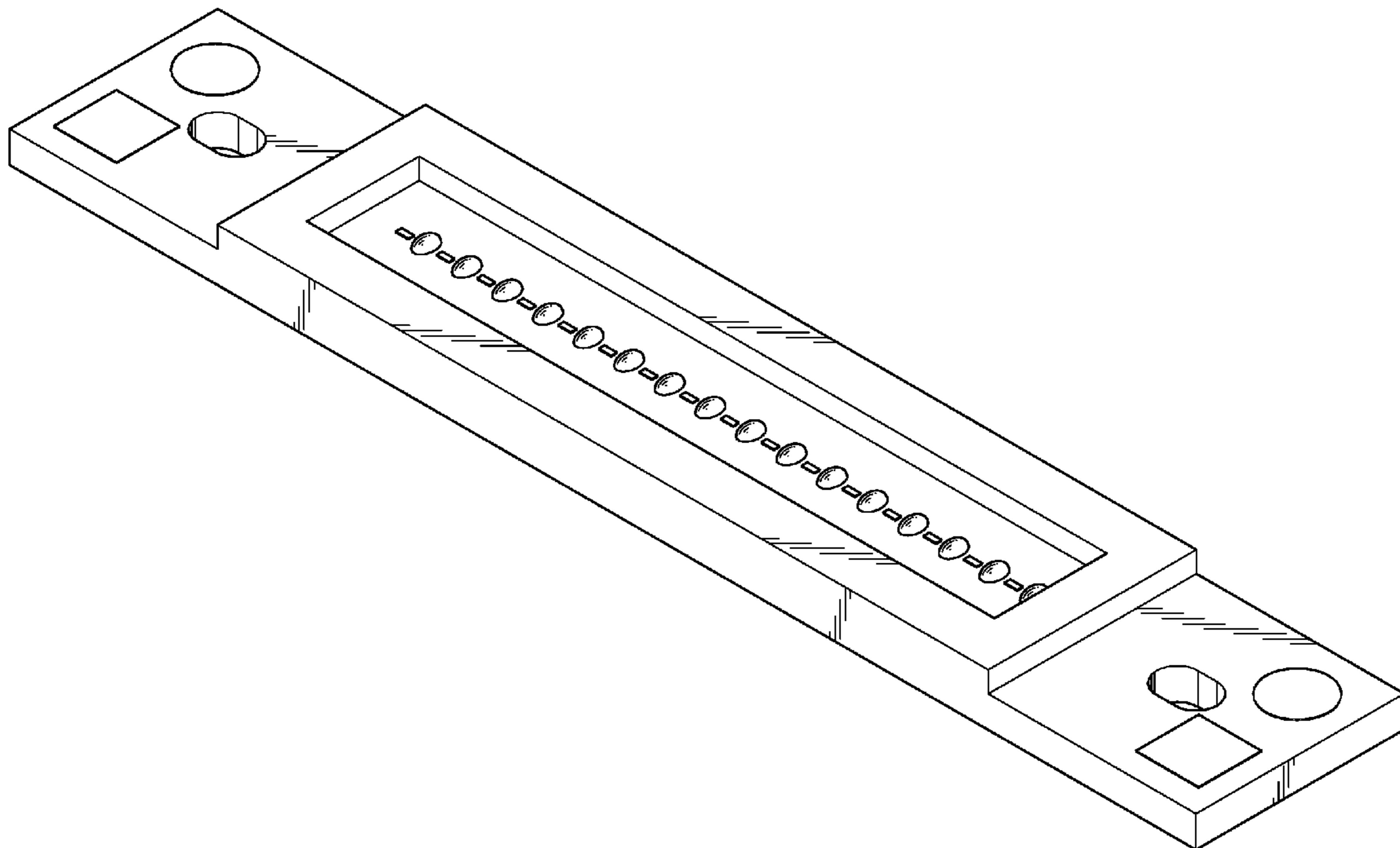
FIG. 7 is a bottom plan view thereof.

(56) **References Cited**

U.S. PATENT DOCUMENTS

D546,985 S * 7/2007 Hoshikawa et al. D26/25

1 Claim, 4 Drawing Sheets



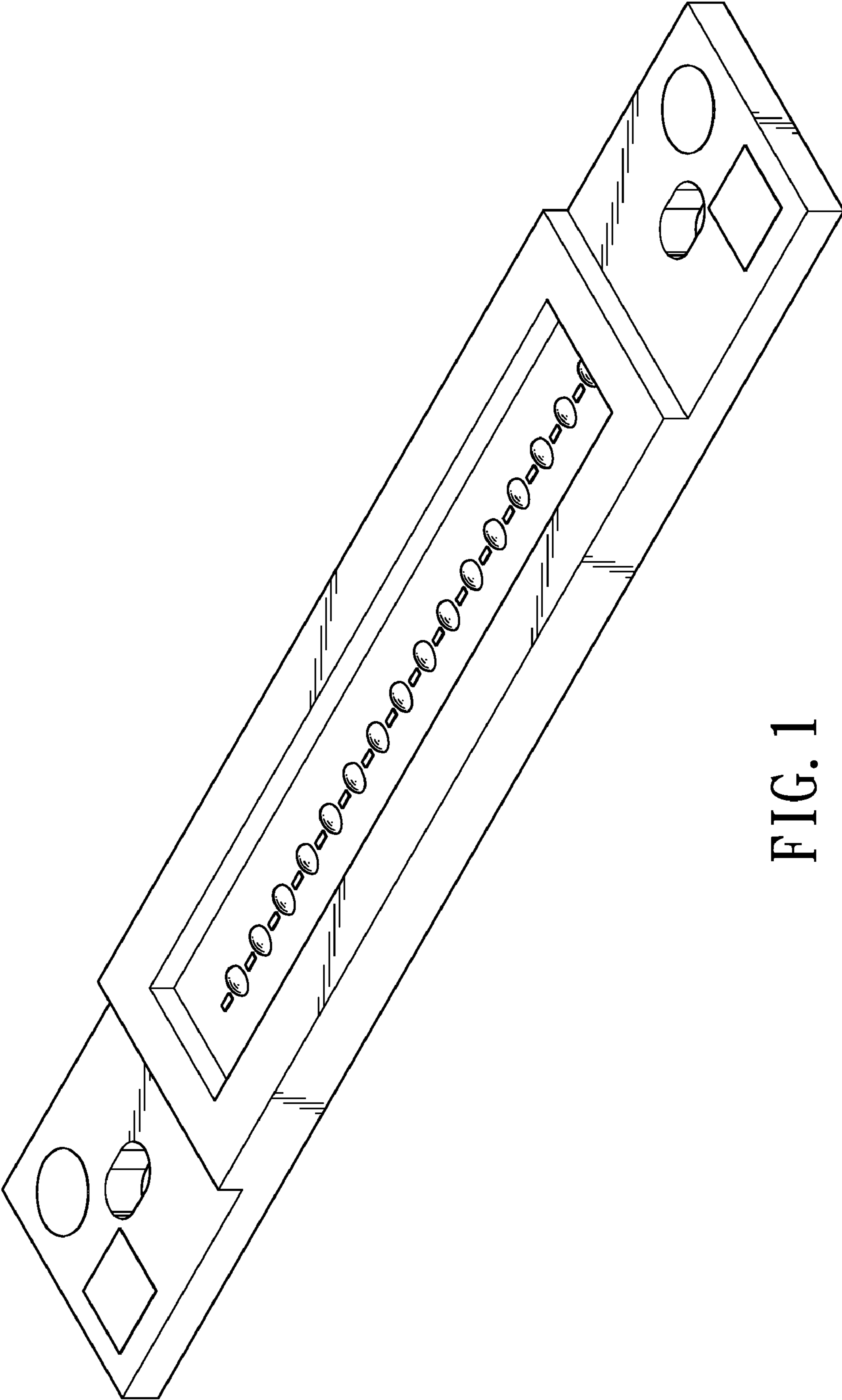


FIG. 1



FIG. 2

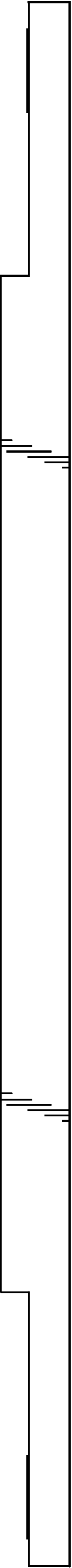


FIG. 3

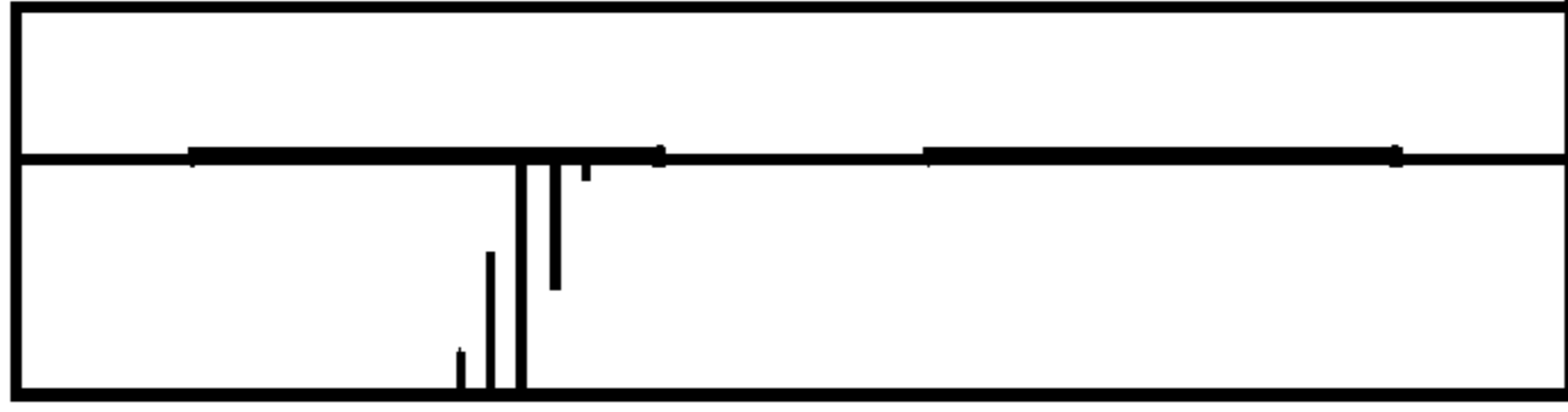


FIG. 4



FIG. 5

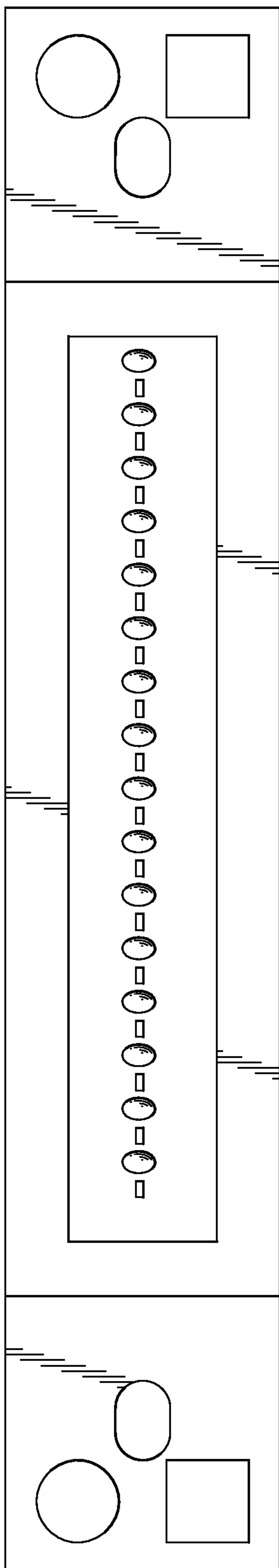


FIG. 6

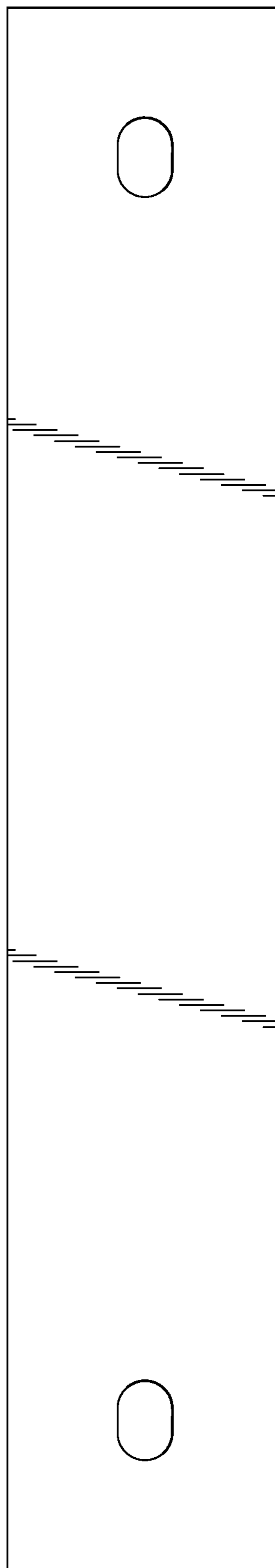


FIG. 7