



US00D601279S

(12) **United States Design Patent**
Ou et al.

(10) **Patent No.:** **US D601,279 S**

(45) **Date of Patent:** **** Sep. 29, 2009**

(54) **LIGHT EMITTING DIODE LAMP**

(75) Inventors: **Chung-Heng Ou**, Taipei County (TW);
Jiann-Hung Lee, Taipei County (TW);
Yun-Ya Chin, Taipei County (TW)

(73) Assignee: **Cal-Comp Electronics & Communications Company Limited**, Taipei County (TW)

(**) Term: **14 Years**

(21) Appl. No.: **29/335,789**

(22) Filed: **Apr. 22, 2009**

Related U.S. Application Data

(63) Continuation-in-part of application No. 29/331,961, filed on Feb. 5, 2009.

(51) **LOC (9) Cl.** **26-04**

(52) **U.S. Cl.** **D26/2**

(58) **Field of Classification Search** D26/1-4;
313/313, 315, 317, 318; 315/52, 53, 56,
315/57, 58

See application file for complete search history.

(56) **References Cited**

U.S. PATENT DOCUMENTS

D516,229 S * 2/2006 Tang D26/2

D527,119 S * 8/2006 Maxik et al. D26/2

D528,227 S * 9/2006 Chou et al. D26/2

D560,286 S * 1/2008 Maxik et al. D26/2

D566,300 S * 4/2008 Lo D26/2

D570,504 S * 6/2008 Maxik et al. D26/2

* cited by examiner

Primary Examiner—Marcus A Jackson

(74) *Attorney, Agent, or Firm*—Jianq Chyun IP Office

(57) **CLAIM**

The ornamental design for a light emitting diode lamp, as shown.

DESCRIPTION

FIG. 1 is a front view of a light emitting diode lamp showing our new design.

FIG. 2 is a rear view thereof.

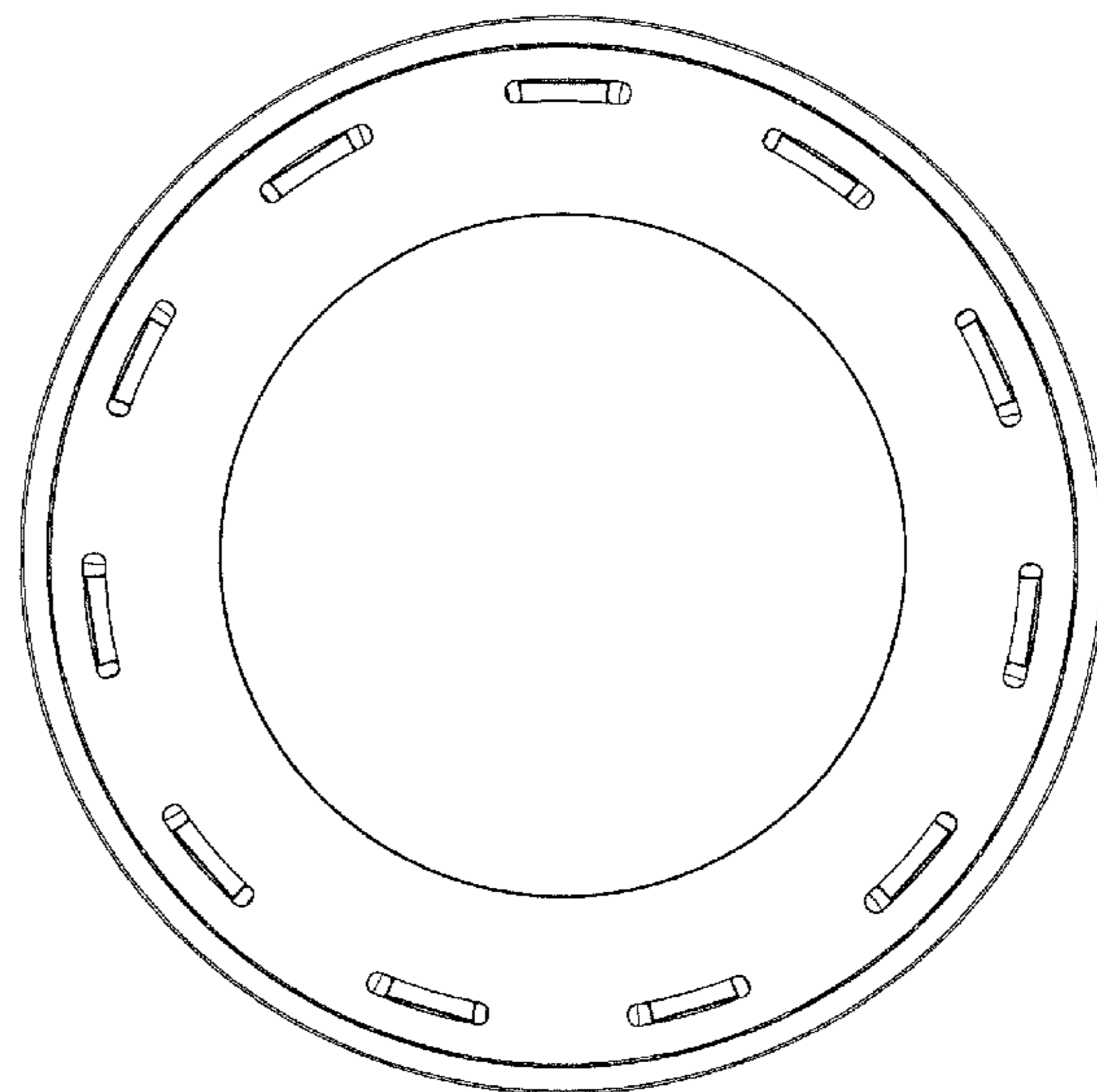
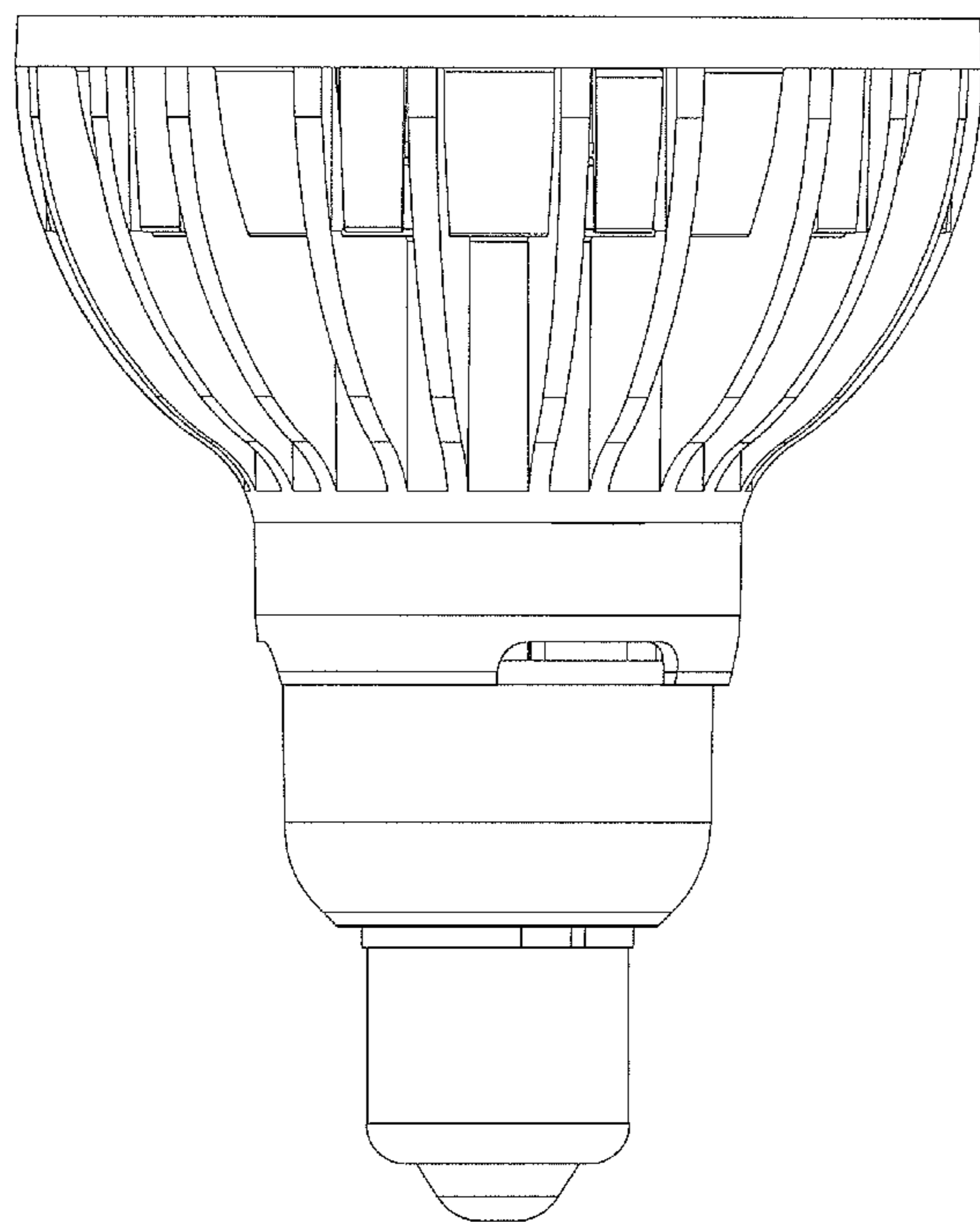
FIG. 3 is a left side view thereof.

FIG. 4 is a right side view thereof.

FIG. 5 is a top view thereof; and,

FIG. 6 is a bottom view thereof.

1 Claim, 6 Drawing Sheets



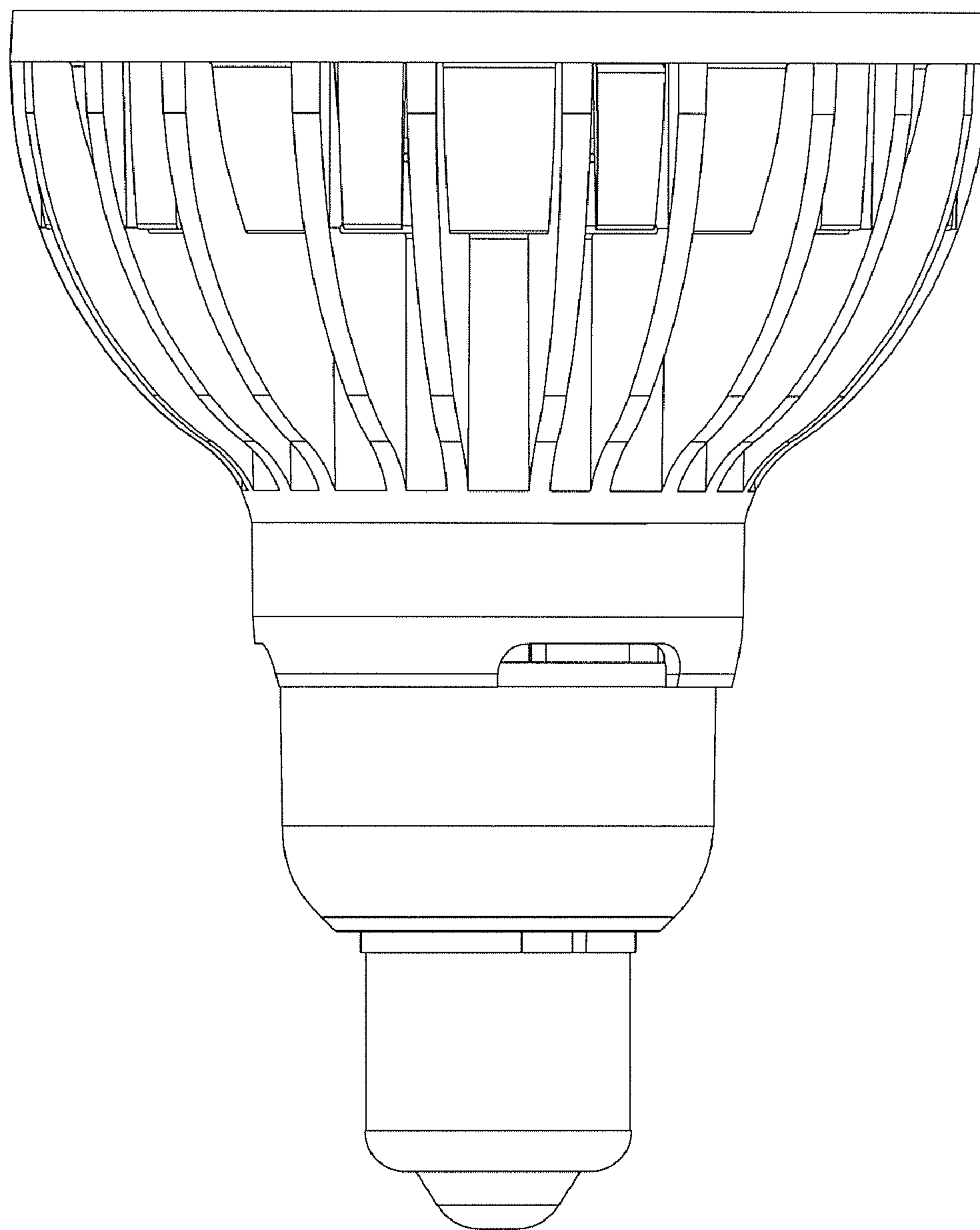


FIG. 1

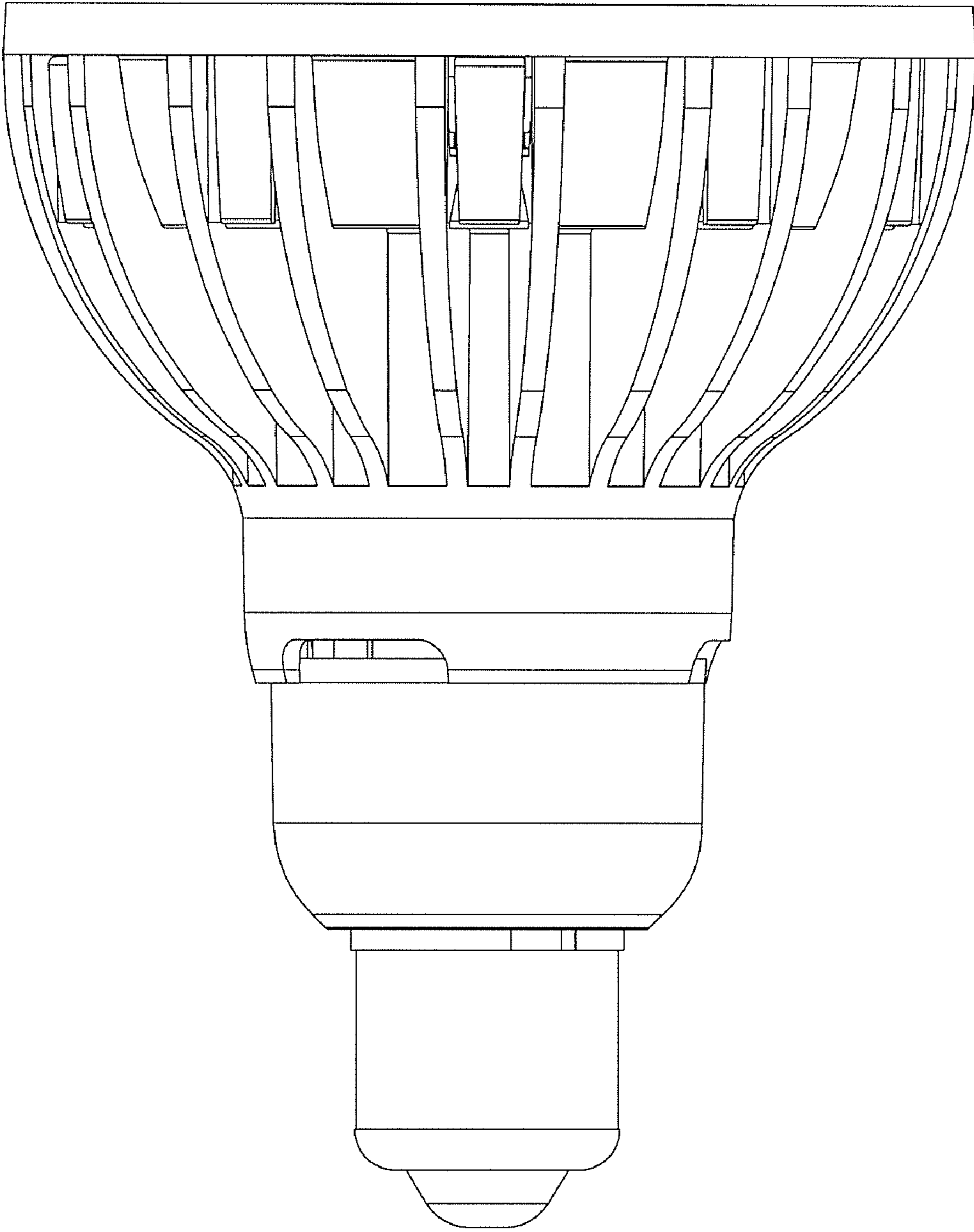


FIG. 2

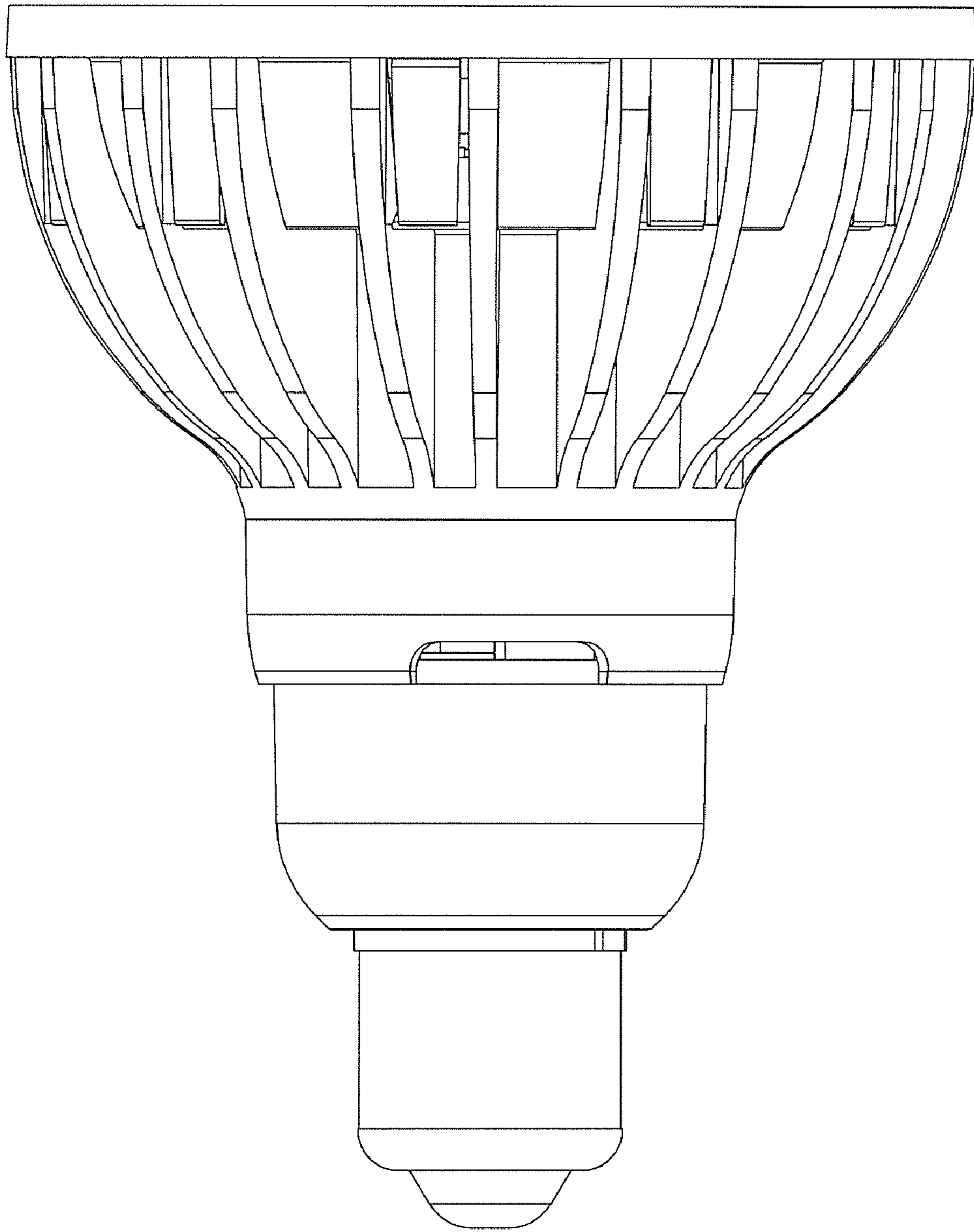


FIG. 3

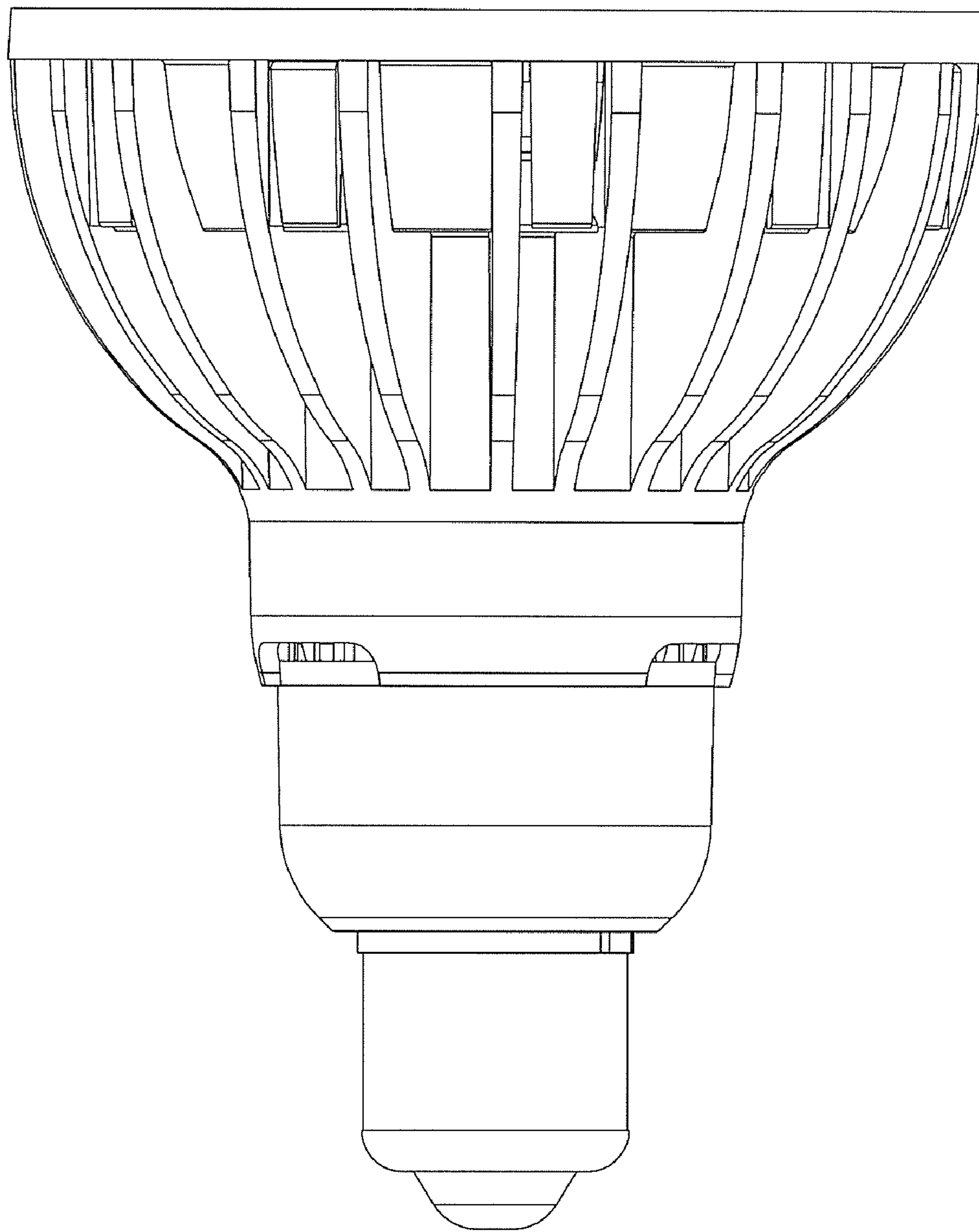


FIG. 4

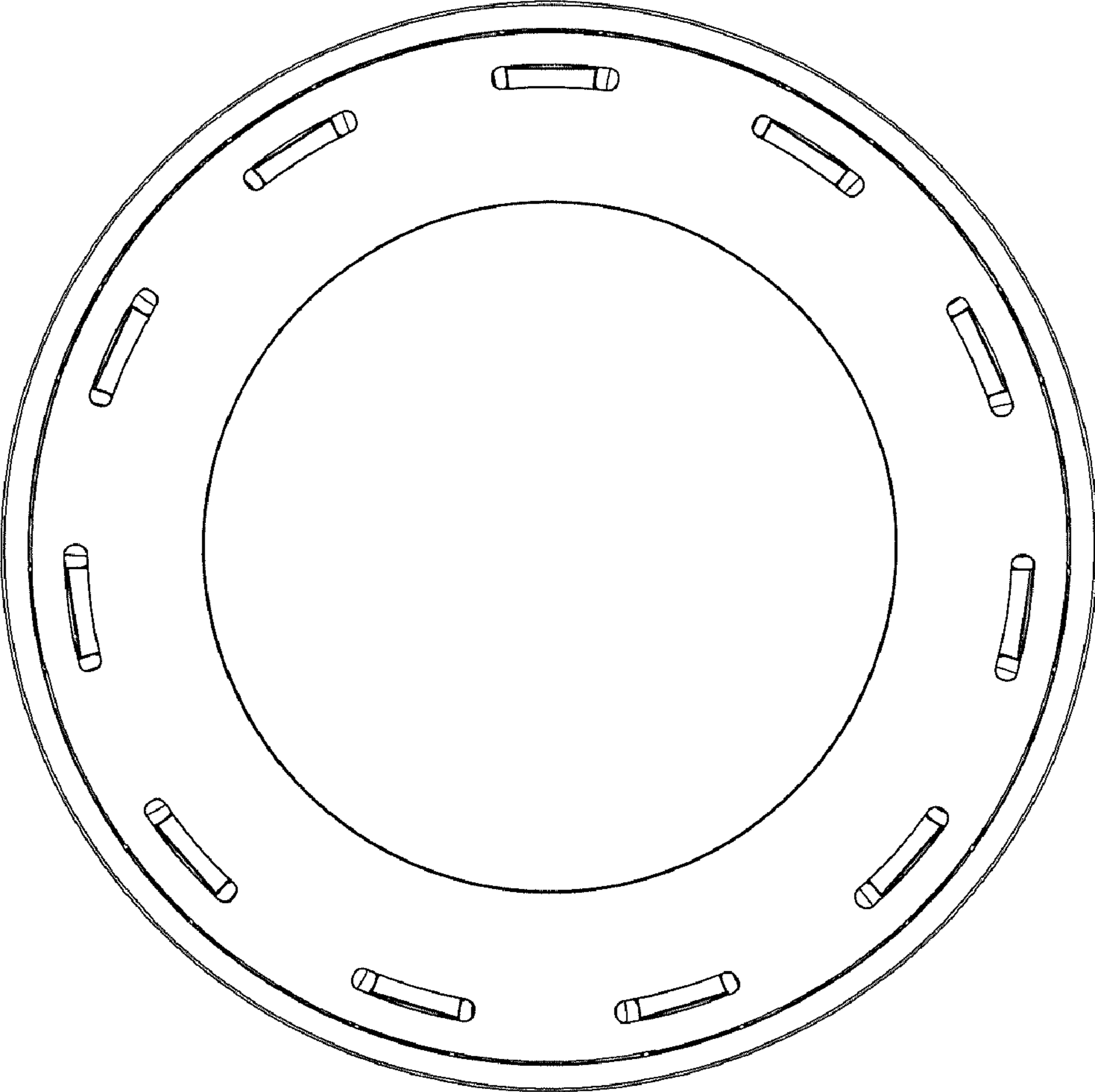


FIG. 5

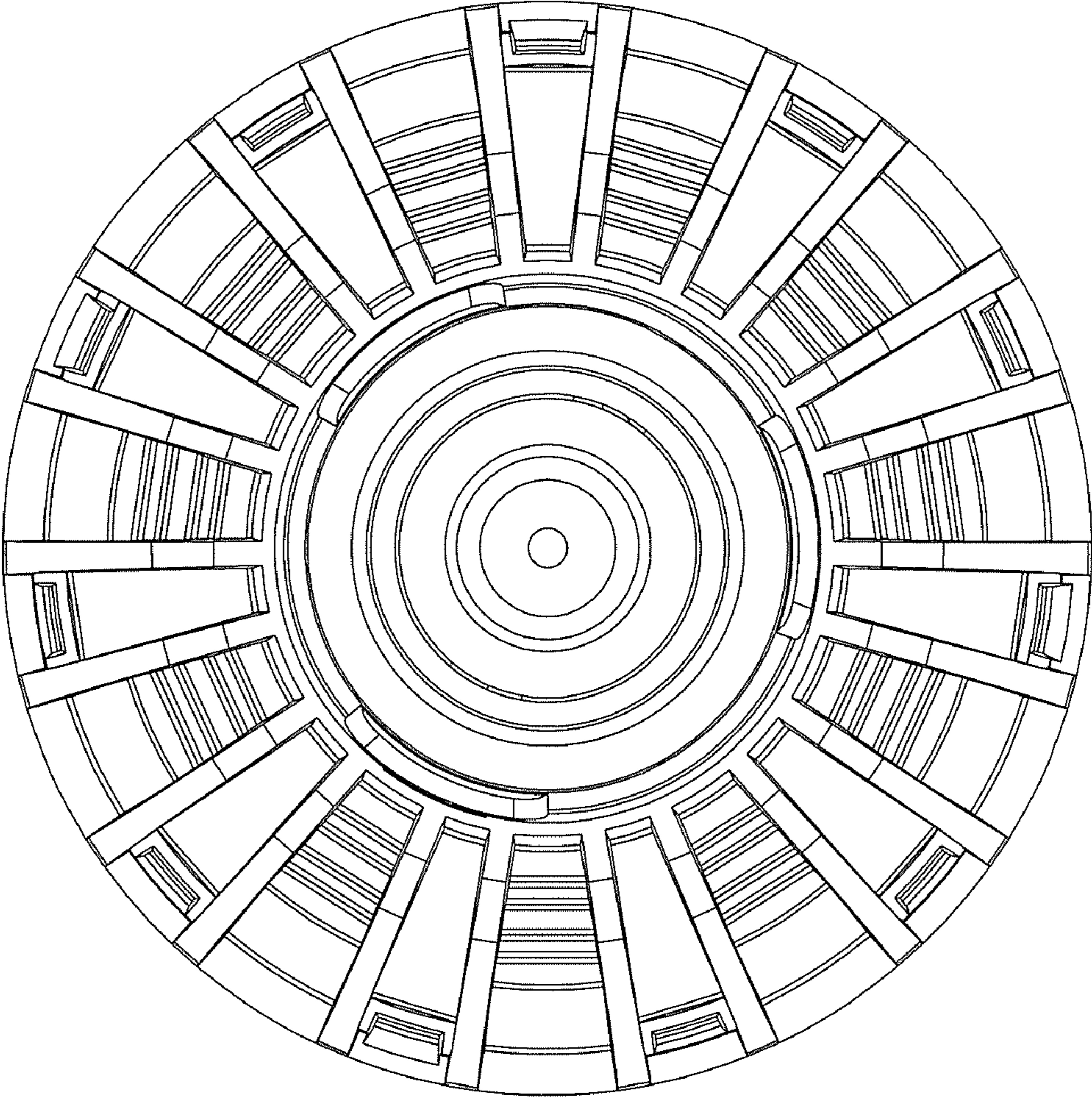


FIG. 6