



US00D601278S

(12) **United States Design Patent**
Takahashi

(10) **Patent No.:** **US D601,278 S**

(45) **Date of Patent:** **** Sep. 29, 2009**

(54) **LIGHT EMITTING DIODE LAMP**

(75) Inventor: **Aiko Takahashi**, Yokohama (JP)

(73) Assignees: **Toshiba Lighting & Technology Corporation**, Tokyo (JP); **Kabushiki Kaisha Toshiba**, Tokyo (JP)

(**) Term: **14 Years**

(21) Appl. No.: **29/333,893**

(22) Filed: **Mar. 17, 2009**

(30) **Foreign Application Priority Data**

Sep. 22, 2008 (JP) 2008-024268

(51) **LOC (9) Cl.** **26-04**

(52) **U.S. Cl.** **D26/2**

(58) **Field of Classification Search** D26/1-4;
313/313, 315, 316, 317, 318; 315/52, 53,
315/56, 57, 58

See application file for complete search history.

(56) **References Cited**

U.S. PATENT DOCUMENTS

D549,360 S * 8/2007 An D26/2
D553,267 S * 10/2007 Yuen D26/2
D560,286 S * 1/2008 Maxik et al. D26/2
D566,300 S * 4/2008 Lo D26/2

D570,504 S * 6/2008 Maxik et al. D26/2

* cited by examiner

Primary Examiner—Marcus A Jackson

(74) *Attorney, Agent, or Firm*—J.C. Patents

(57) **CLAIM**

The ornamental design for a light emitting diode lamp, as shown and described.

DESCRIPTION

FIG. 1 is a perspective view of a light emitting diode lamp showing my new design;

FIG. 2 is a front view thereof;

FIG. 3 is a rear view thereof;

FIG. 4 is a left side view thereof;

FIG. 5 is a right side view thereof;

FIG. 6 is a top view thereof;

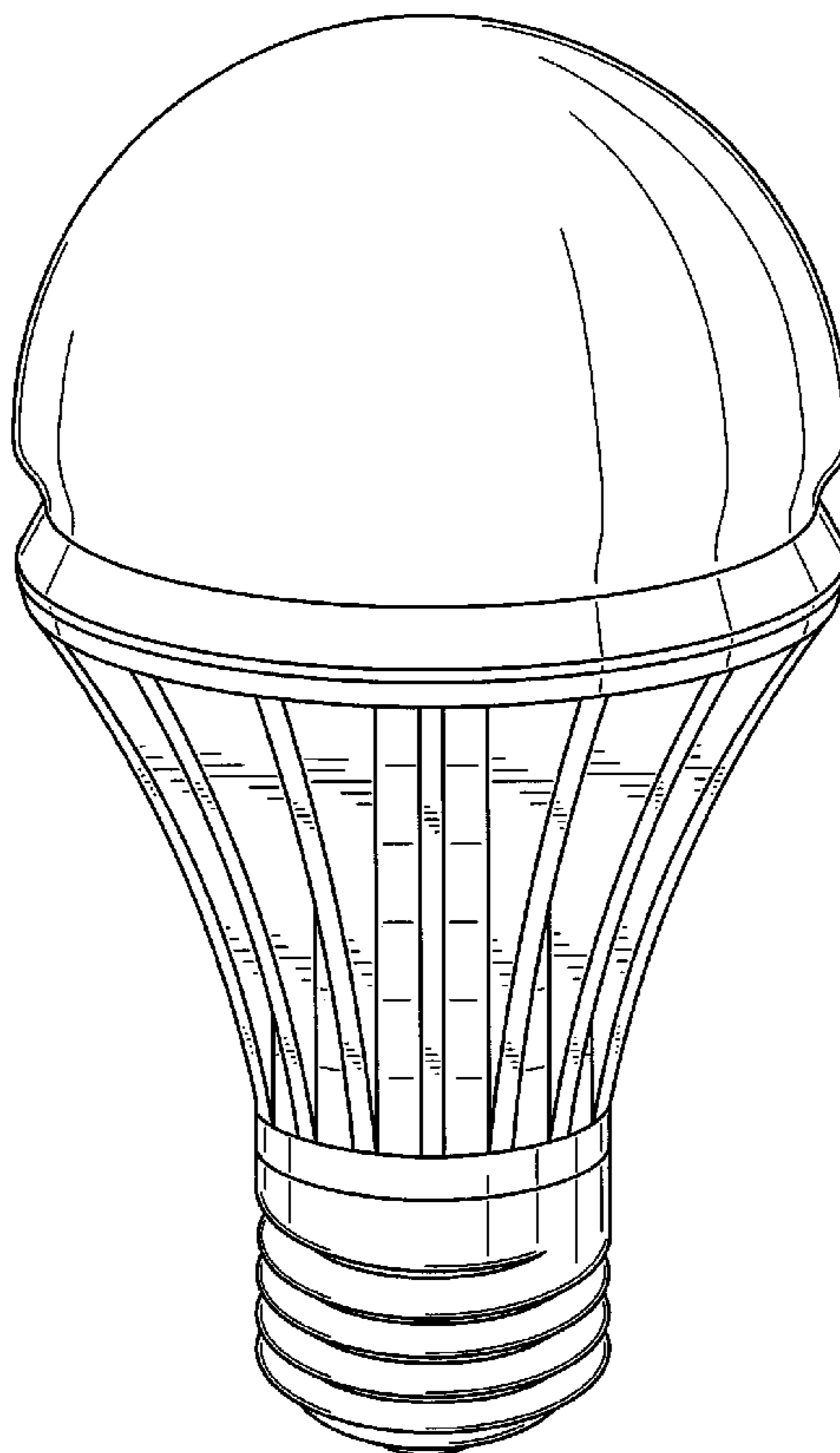
FIG. 7 is a bottom view thereof;

FIG. 8 is a cross-sectional view taken along line 8—8 in FIG. 2 with the internal parts omitted; and,

FIG. 9 is a cross-sectional view taken along line 9—9 in FIG. 2 with the internal parts omitted.

The cover of the claimed light emitting diode lamp covering the light sources thereof is pervious to light.

1 Claim, 9 Drawing Sheets



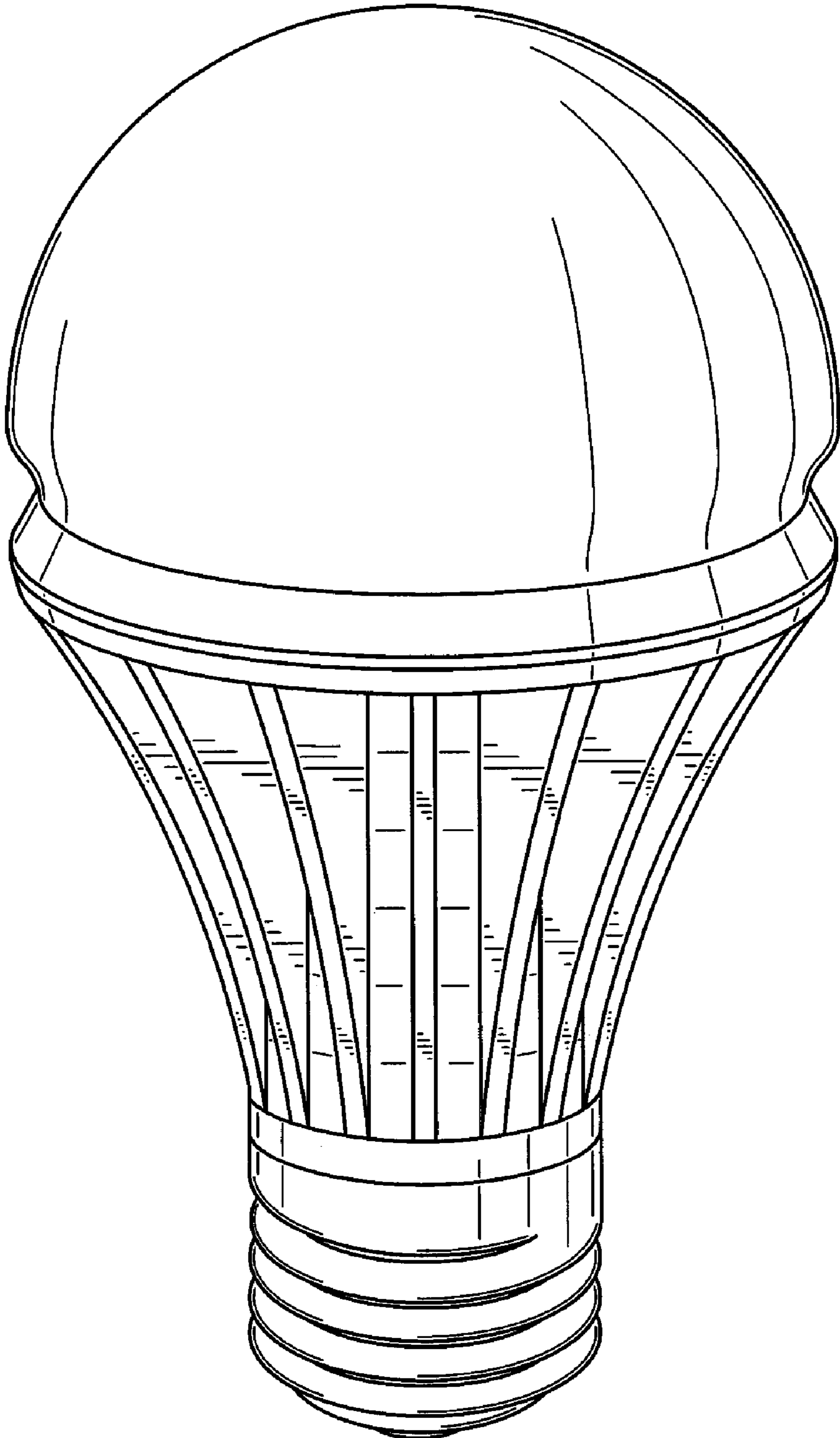


FIG. 1

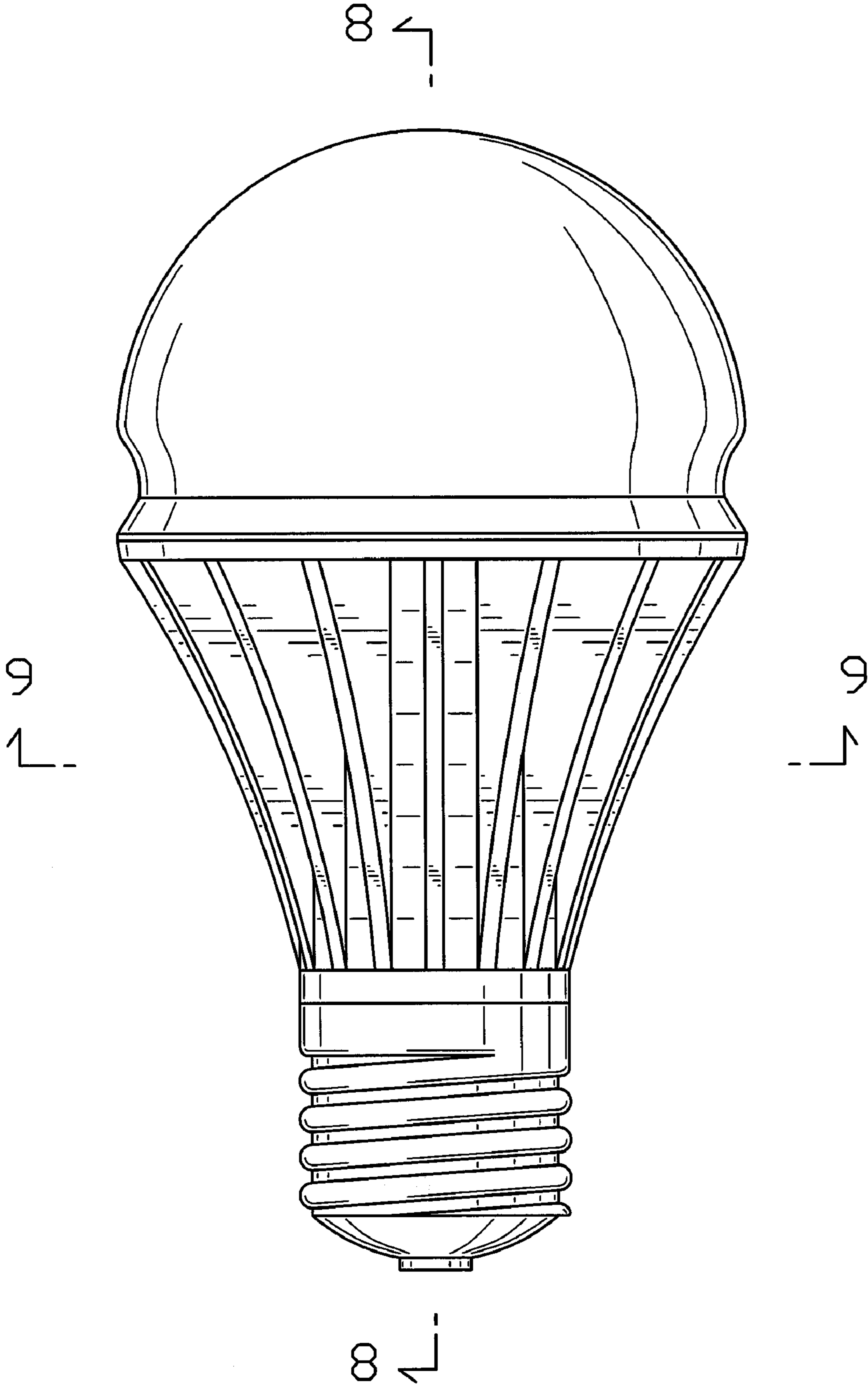


FIG. 2

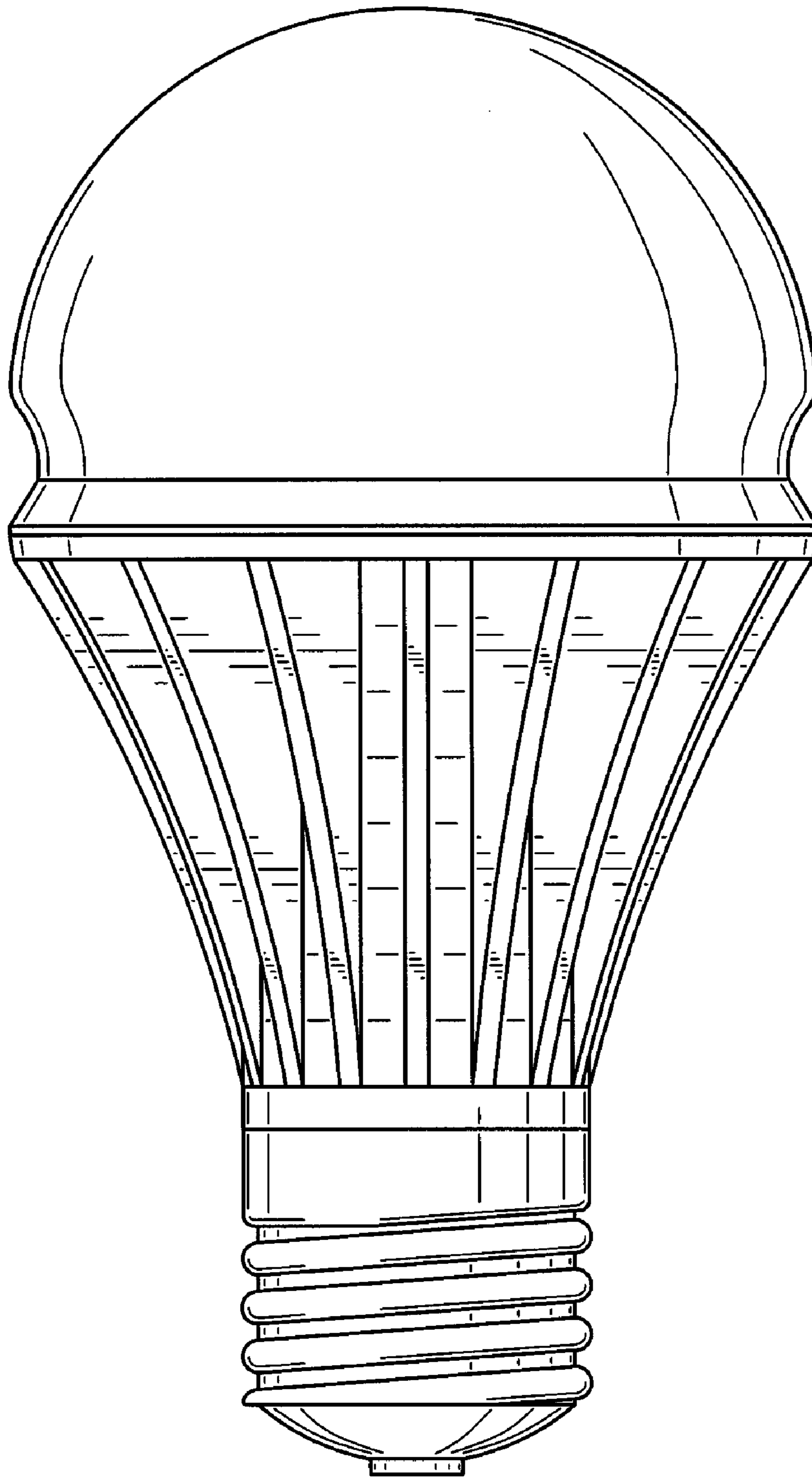


FIG. 3

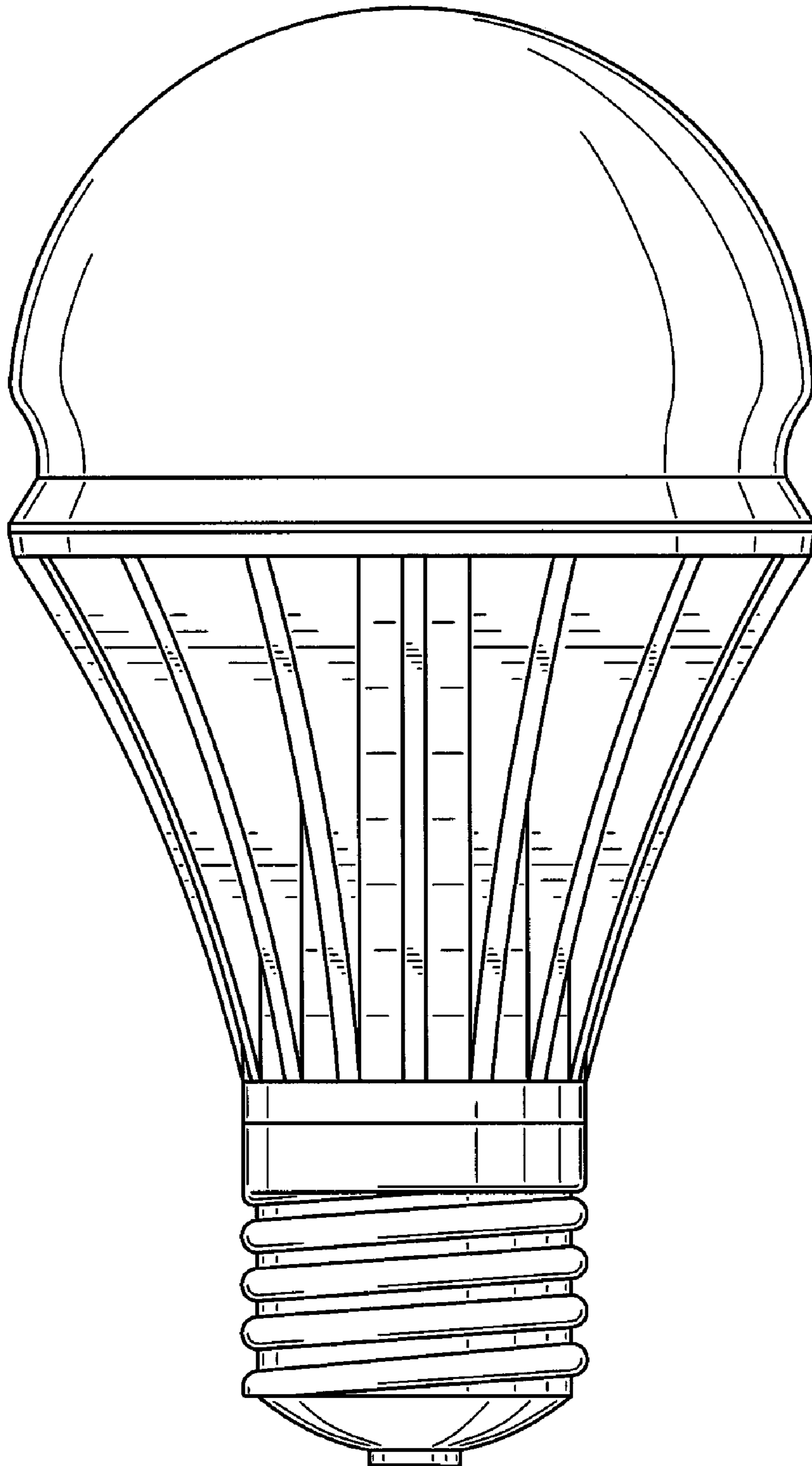


FIG. 4

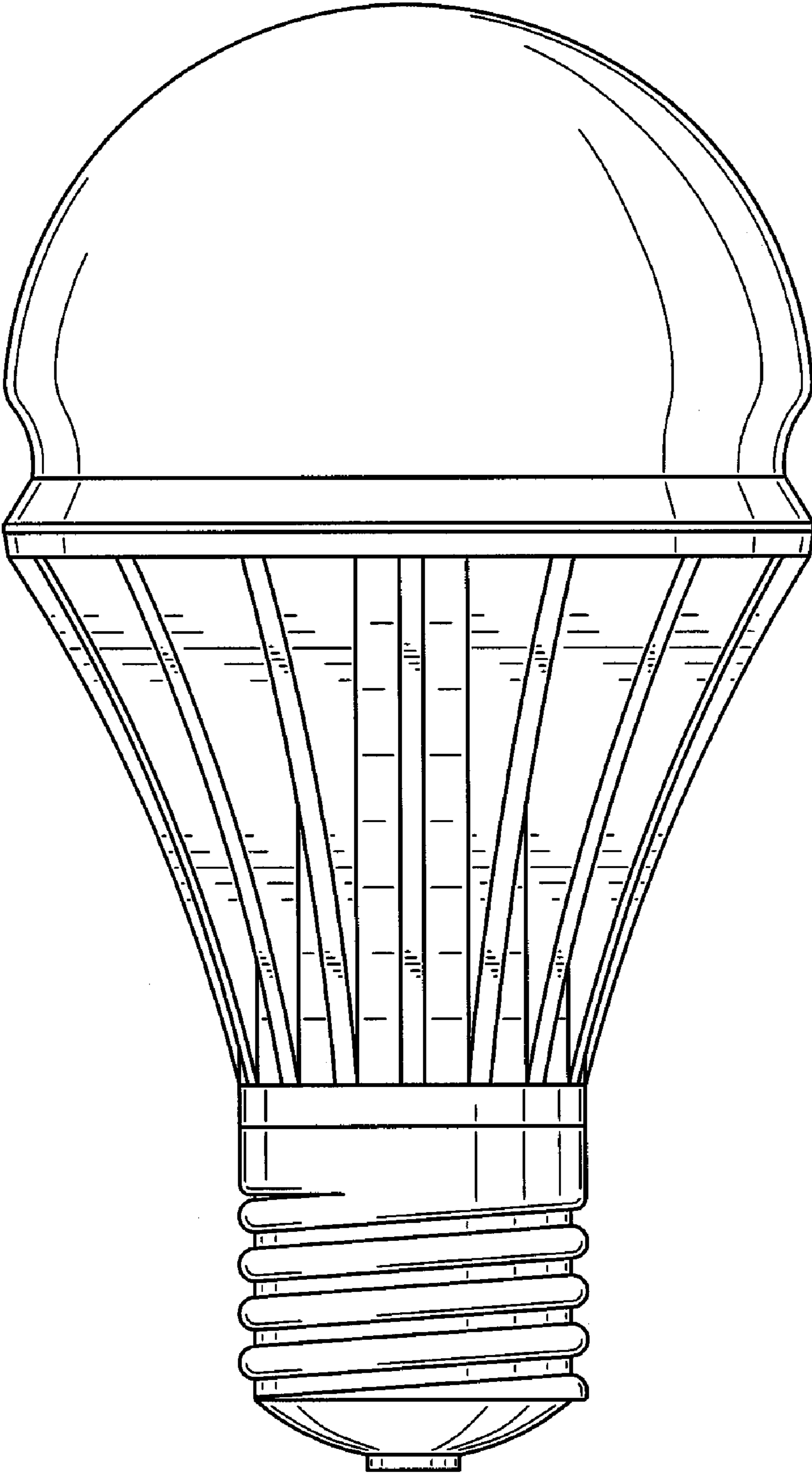


FIG. 5

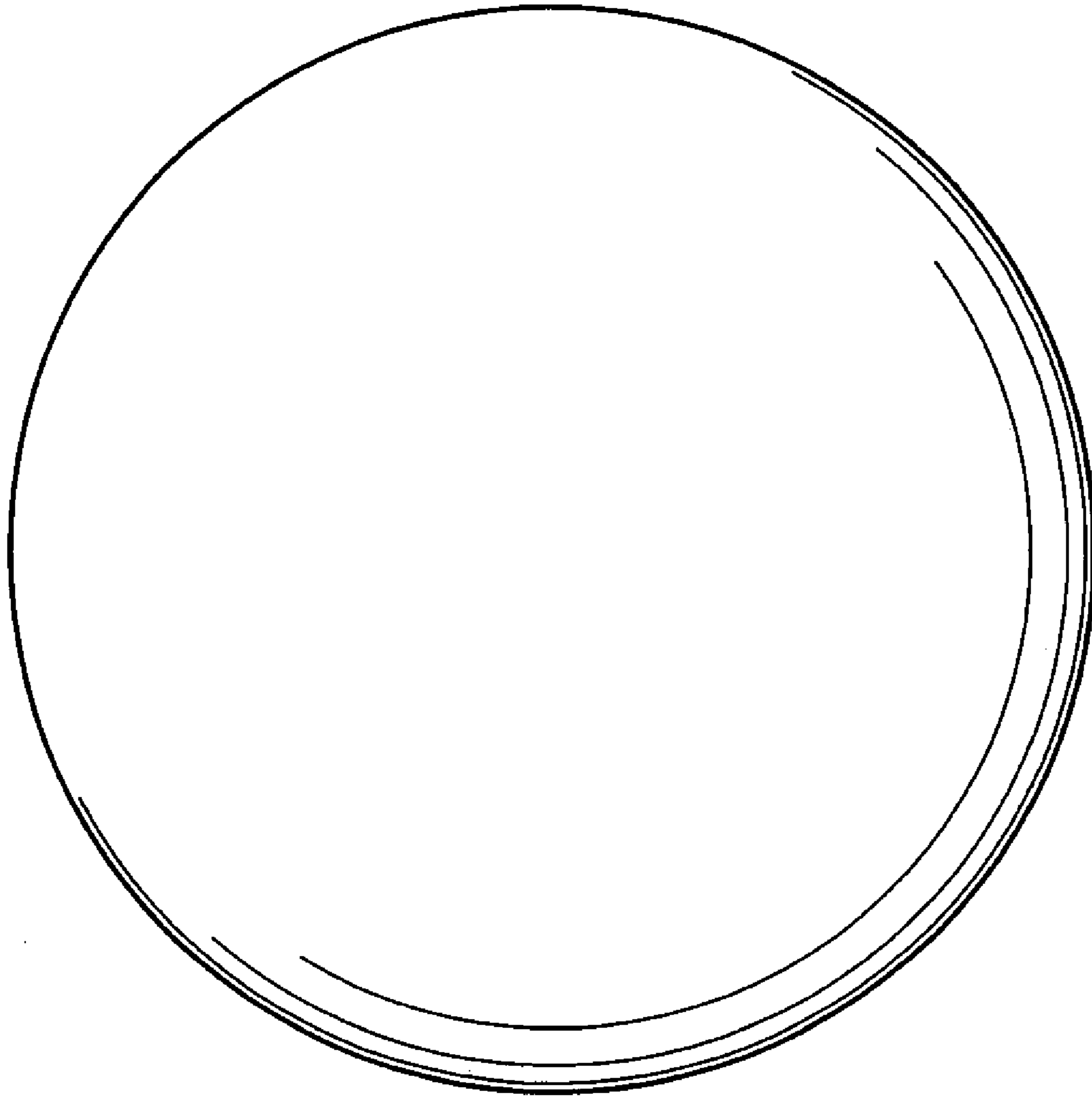


FIG. 6

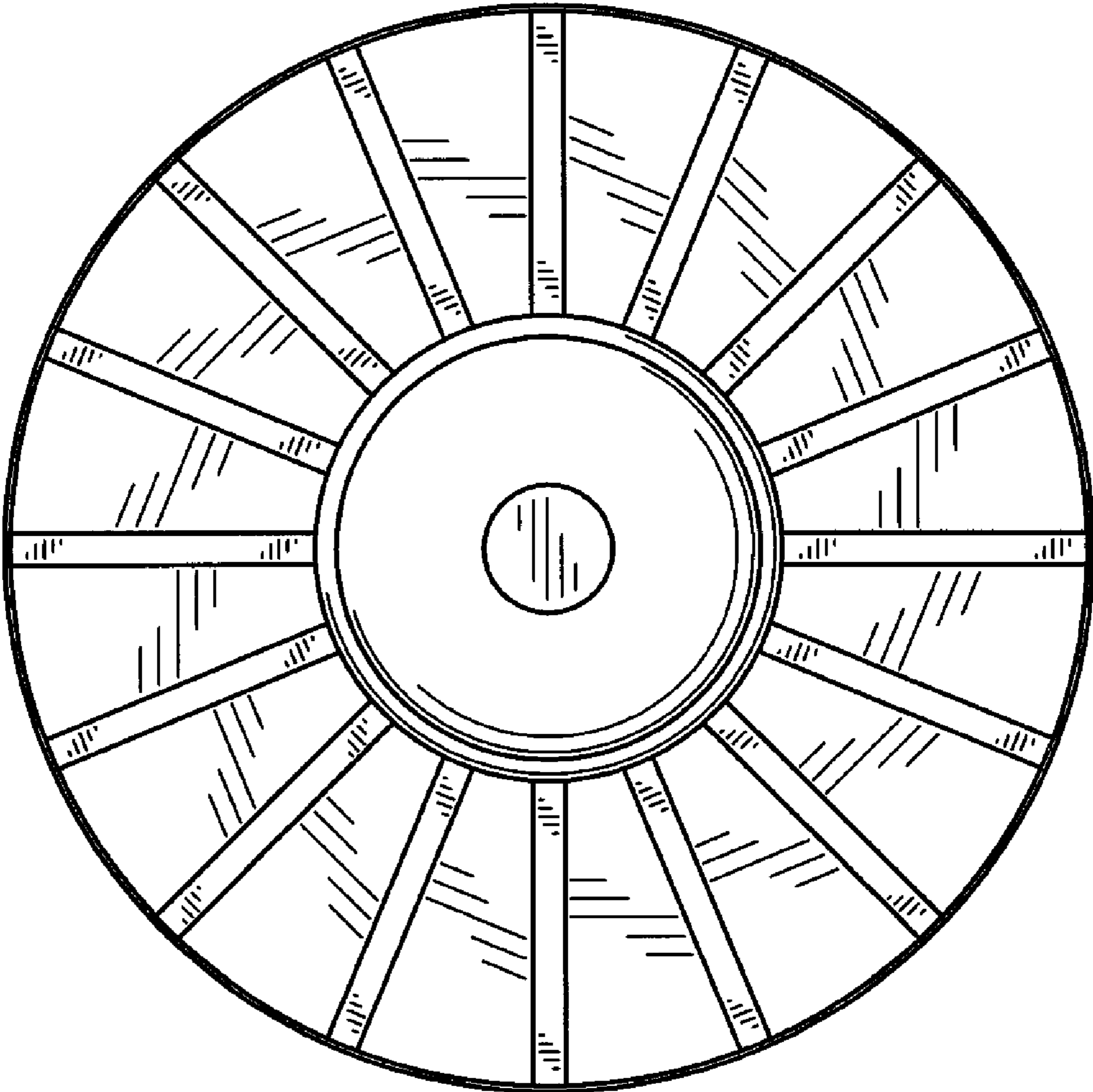


FIG. 7

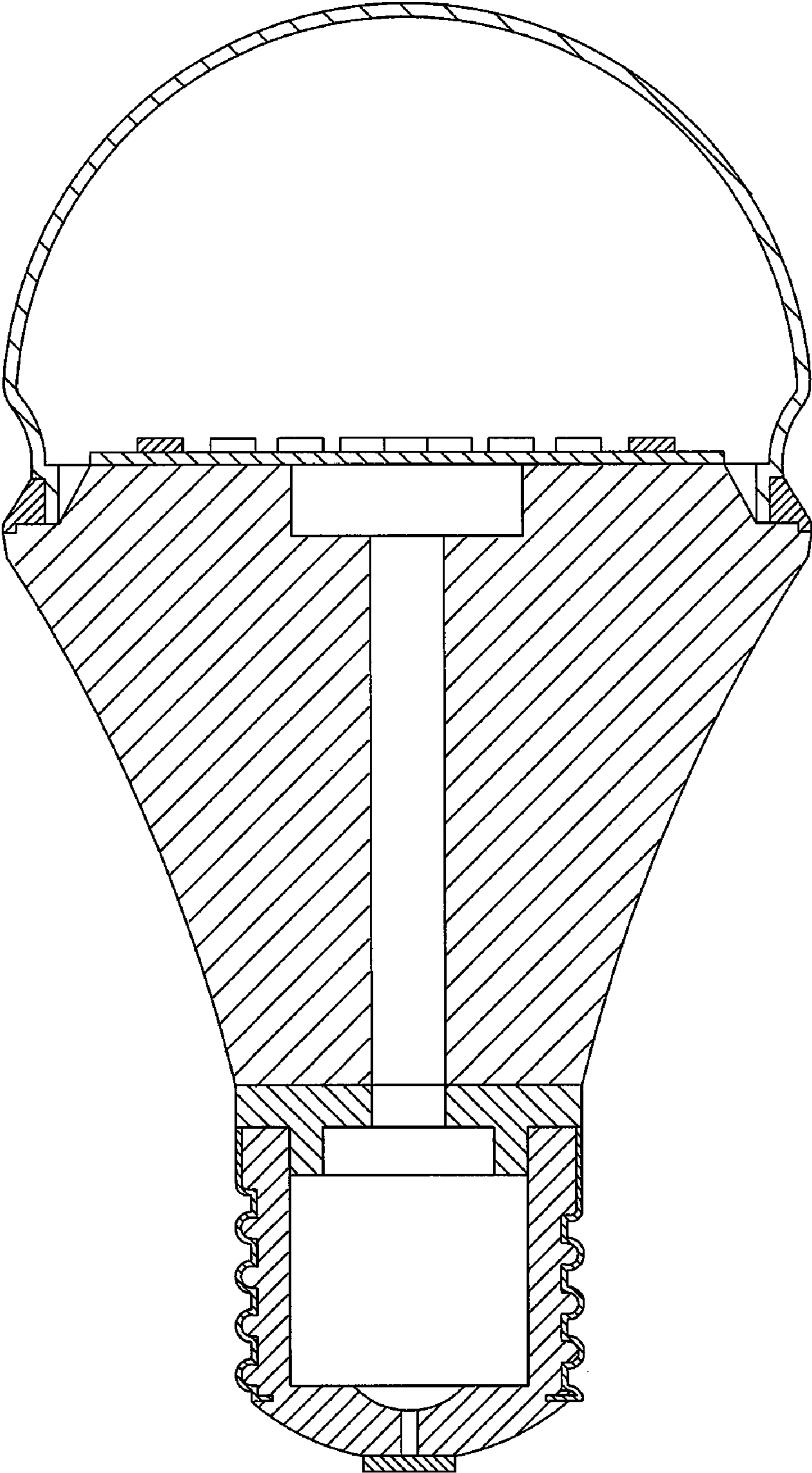


FIG. 8

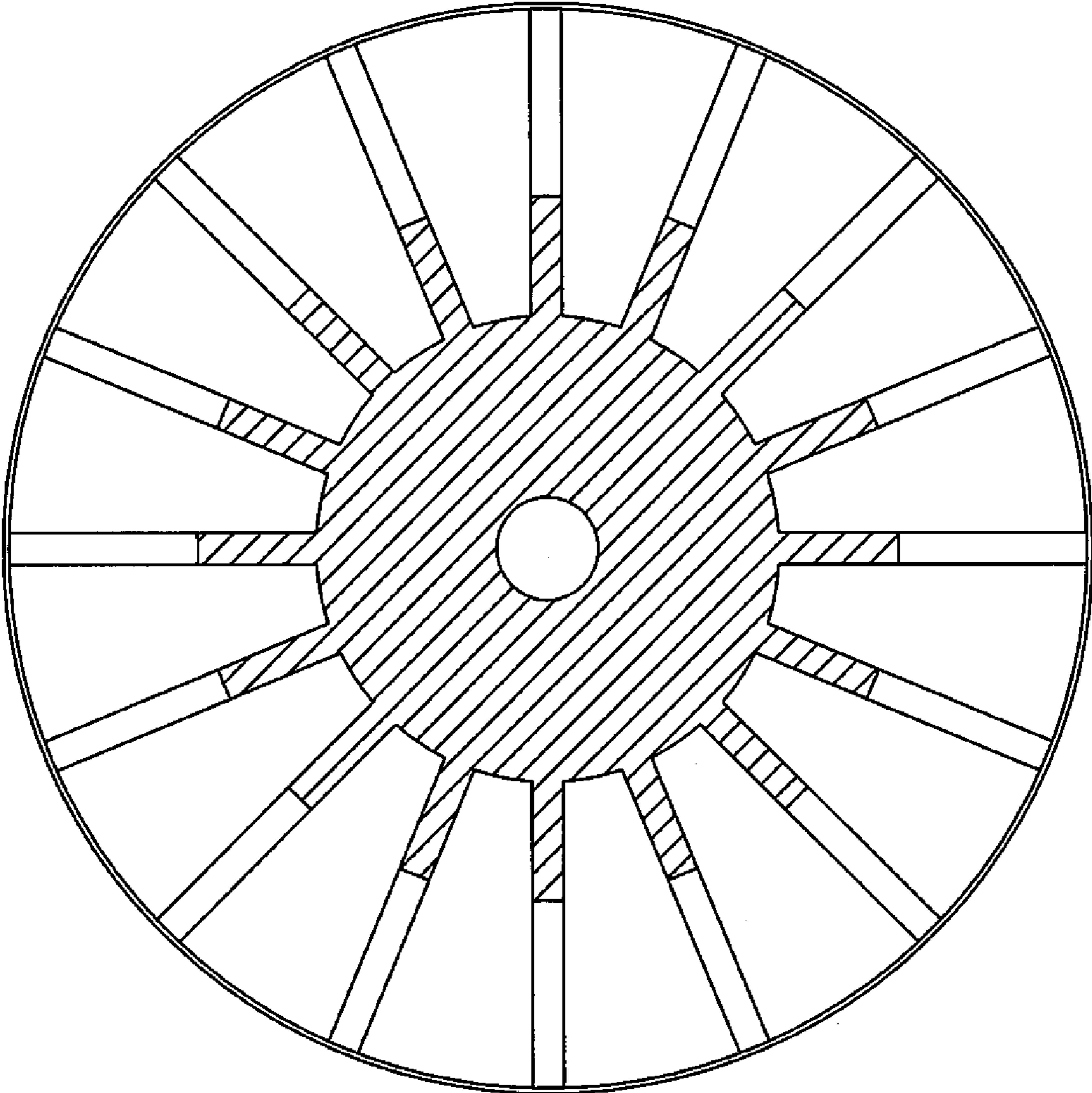


FIG. 9