



US00D601275S

(12) **United States Design Patent**
Ho et al.

(10) **Patent No.:** **US D601,275 S**

(45) **Date of Patent:** **** Sep. 29, 2009**

(54) **LIGHT EMITTING DIODE LAMP**

D551,784 S * 9/2007 Krieglmeyer et al. D26/2
D572,385 S * 7/2008 Mazzochette et al. D26/2

(75) Inventors: **Kwan Ho**, Taipei County (TW);
Jiann-Hung Lee, Taipei County (TW);
Hsien-Chang Wu, Taipei County (TW)

* cited by examiner

Primary Examiner—Marcus A. Jackson
(74) *Attorney, Agent, or Firm*—Jianq Chyun IP Office

(73) Assignee: **Cal-Comp Electronics & Communications Company Limited**,
Taipei County (TW)

(57) **CLAIM**

(**) Term: **14 Years**

The ornamental design for a light emitting diode lamp, as shown.

(21) Appl. No.: **29/331,961**

DESCRIPTION

(22) Filed: **Feb. 5, 2009**

(51) **LOC (9) Cl.** **26-06**

FIG. 1 is a perspective view of a light emitting diode lamp showing our new design.

(52) **U.S. Cl.** **D26/2**

FIG. 2 is a front view thereof.

(58) **Field of Classification Search** D26/1-4;
313/313, 315, 317, 318, 493; 315/52, 53,
315/56, 57, 58

FIG. 3 is a rear view thereof.

FIG. 4 is a left side view thereof.

See application file for complete search history.

FIG. 5 is a right side view thereof.

FIG. 6 is a top view thereof.

FIG. 7 is a bottom view thereof; and,

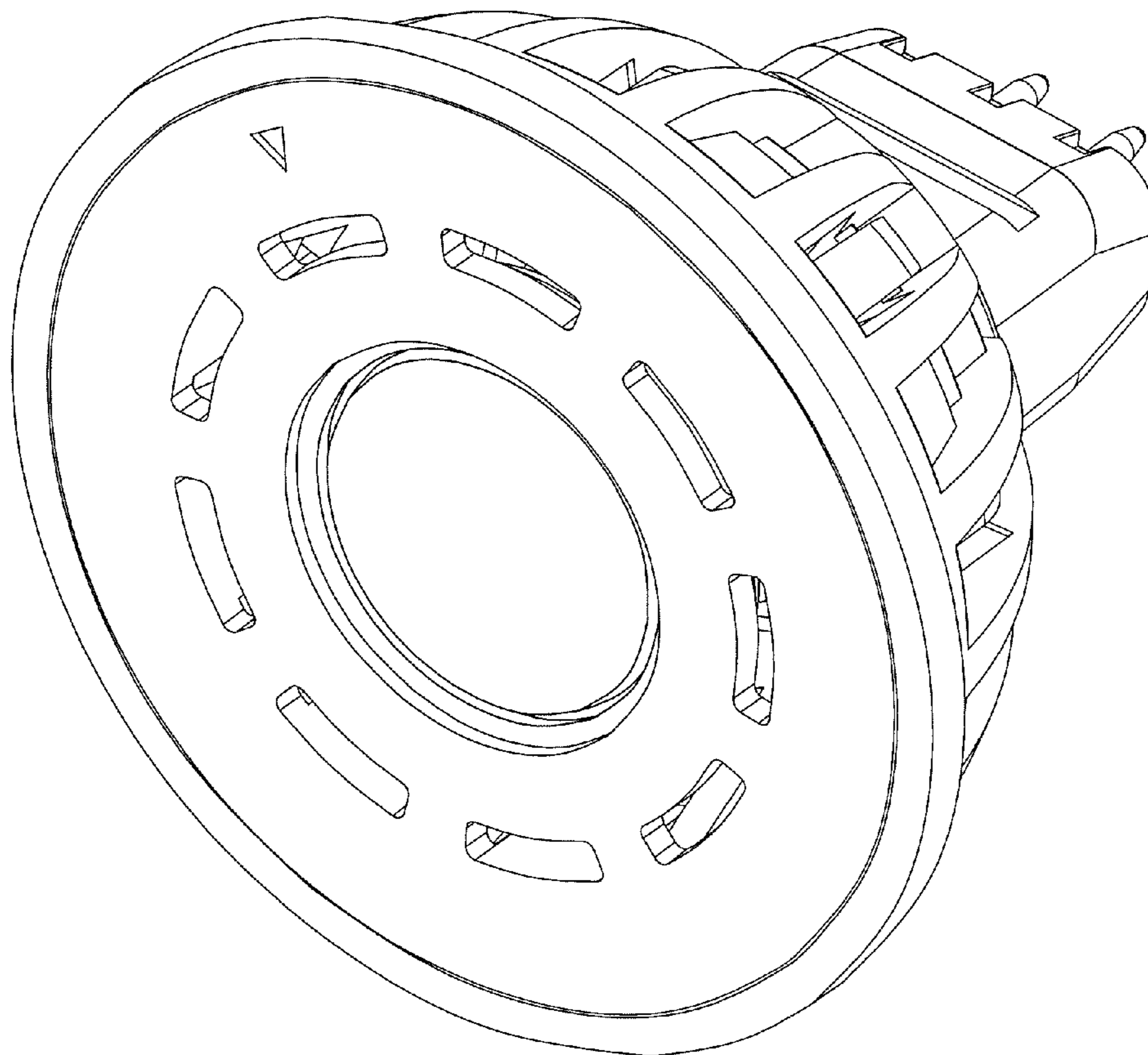
FIG. 8 is another perspective view thereof.

(56) **References Cited**

U.S. PATENT DOCUMENTS

D530,836 S * 10/2006 Johnson D26/2
D545,457 S * 6/2007 Chen D26/2

1 Claim, 8 Drawing Sheets



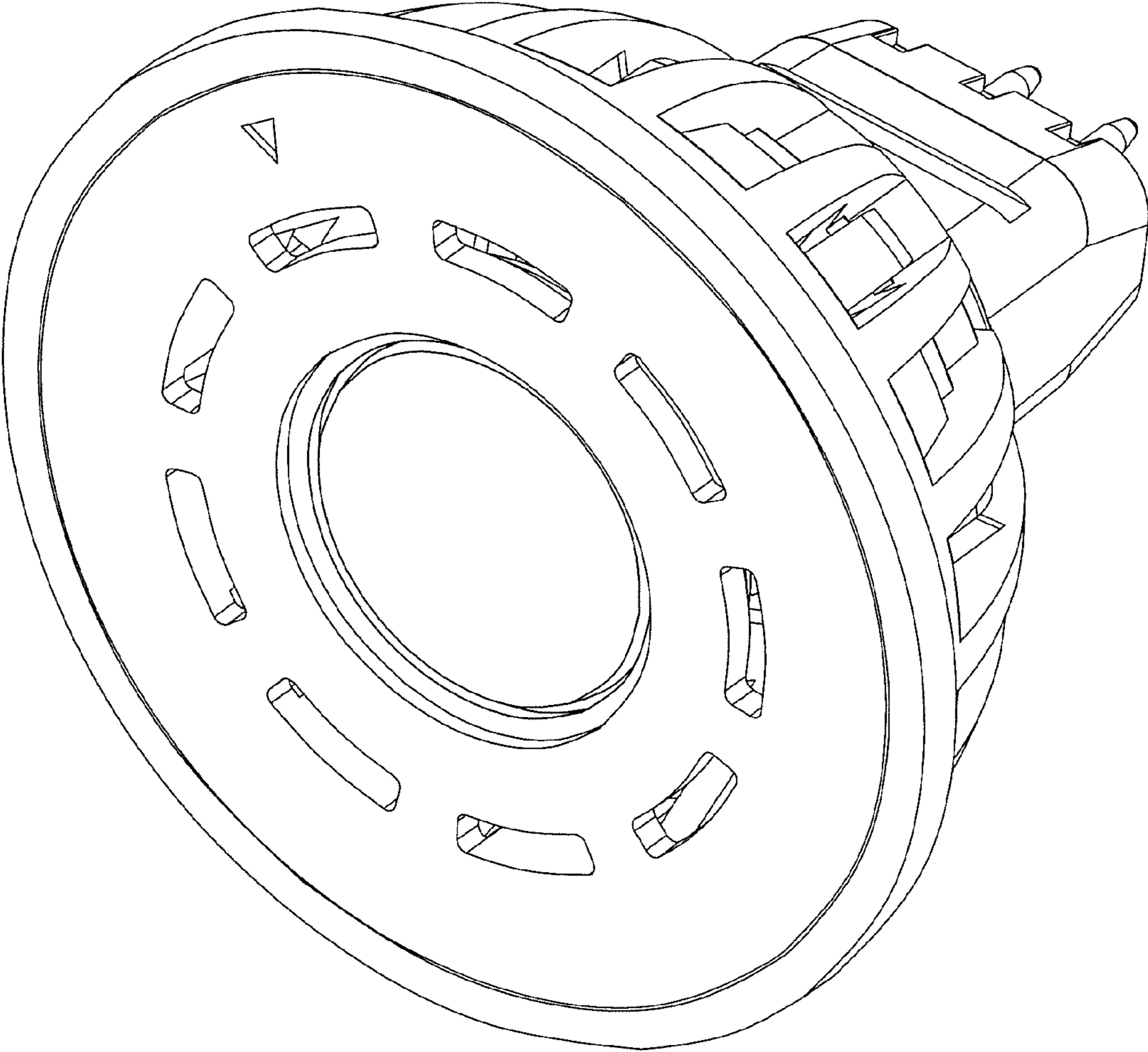


FIG. 1

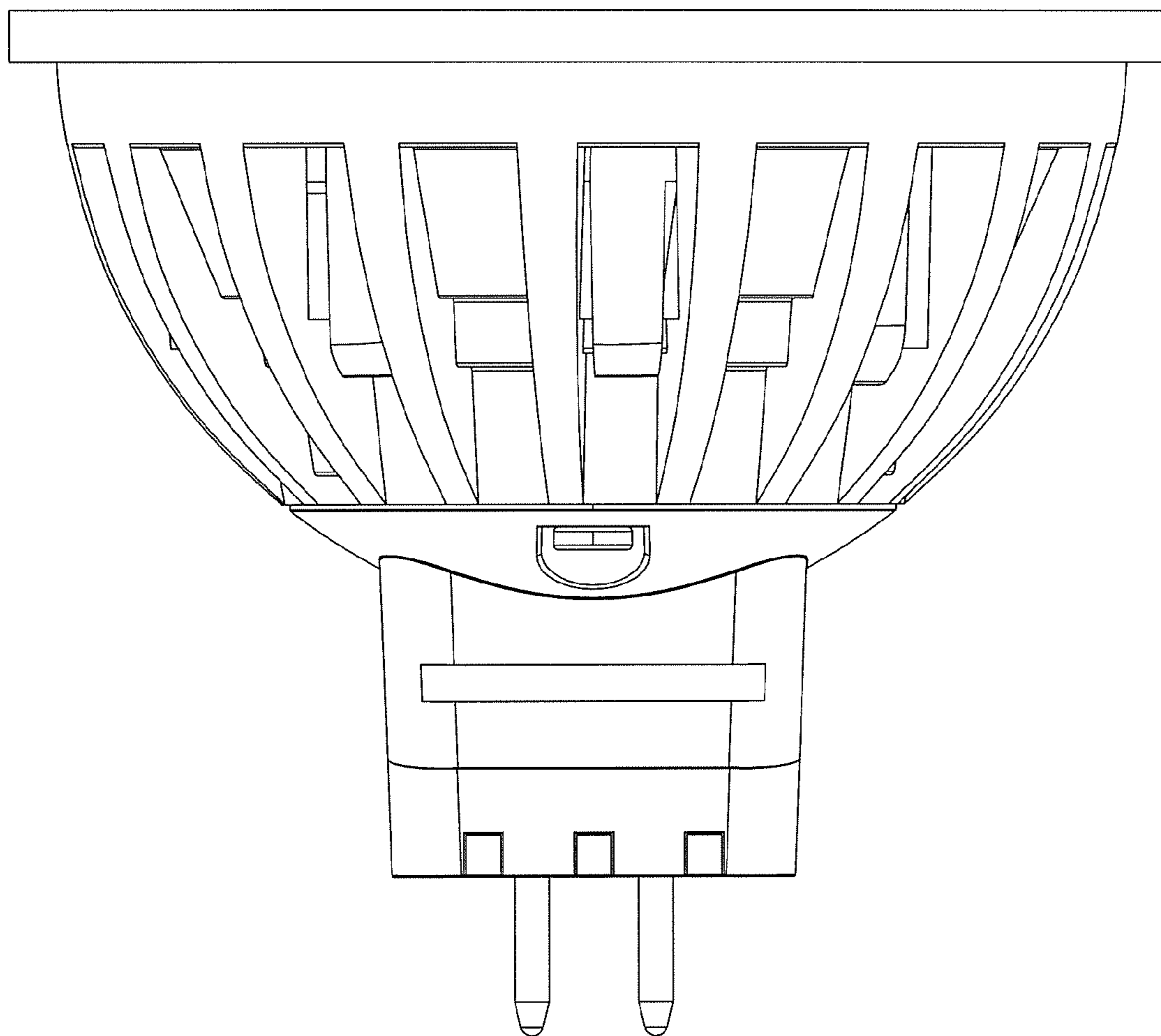


FIG. 2

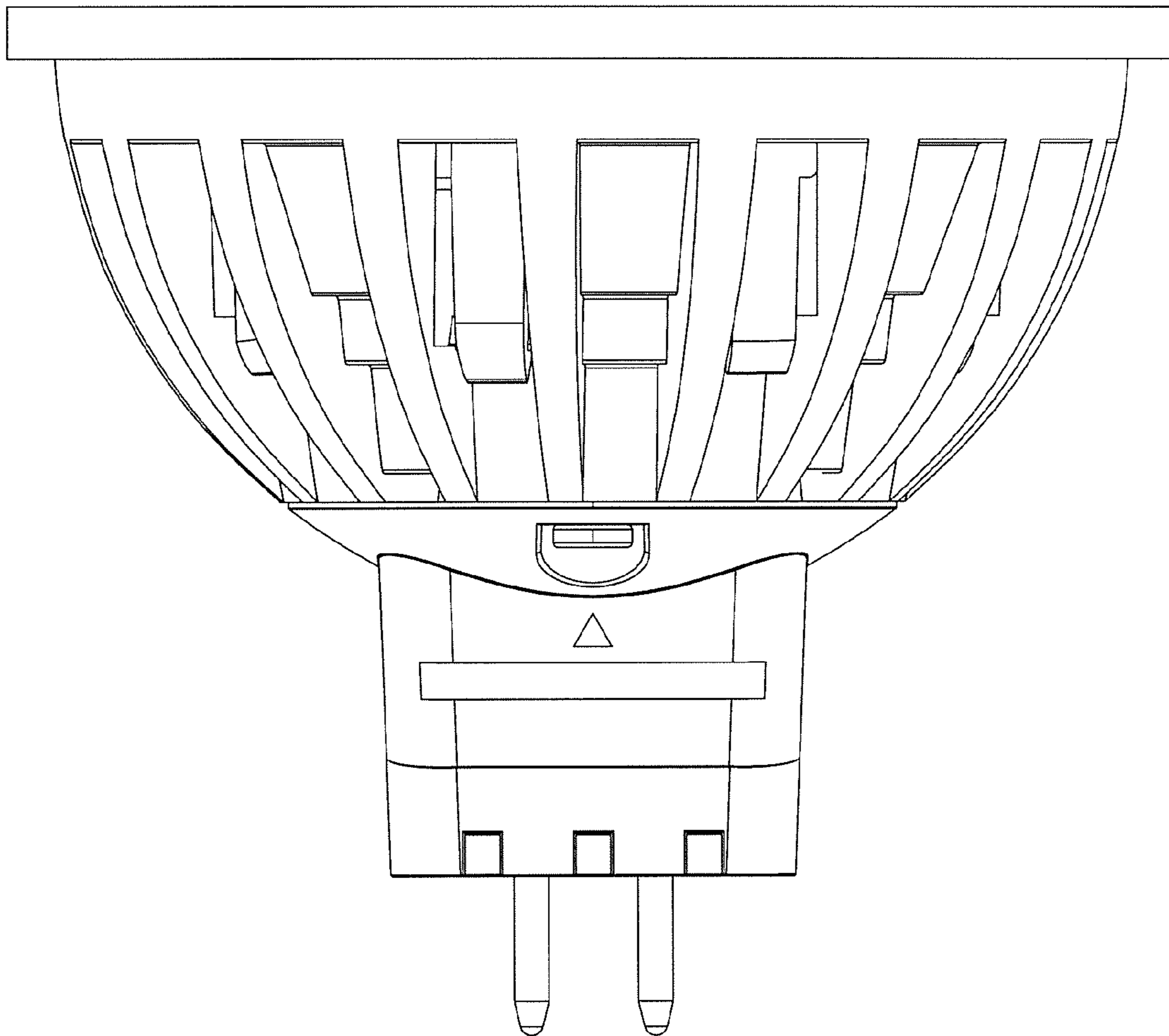


FIG. 3

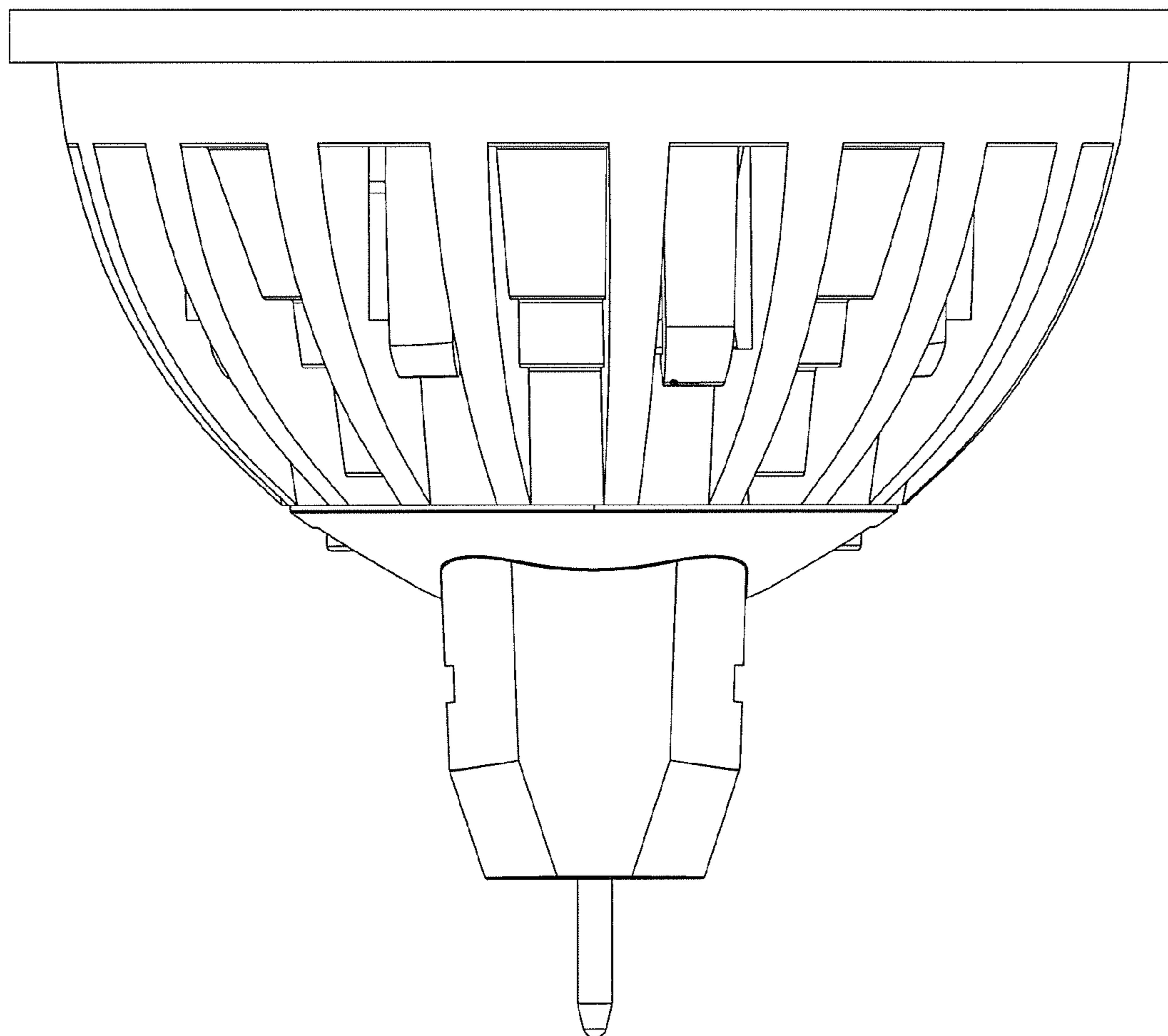


FIG. 4

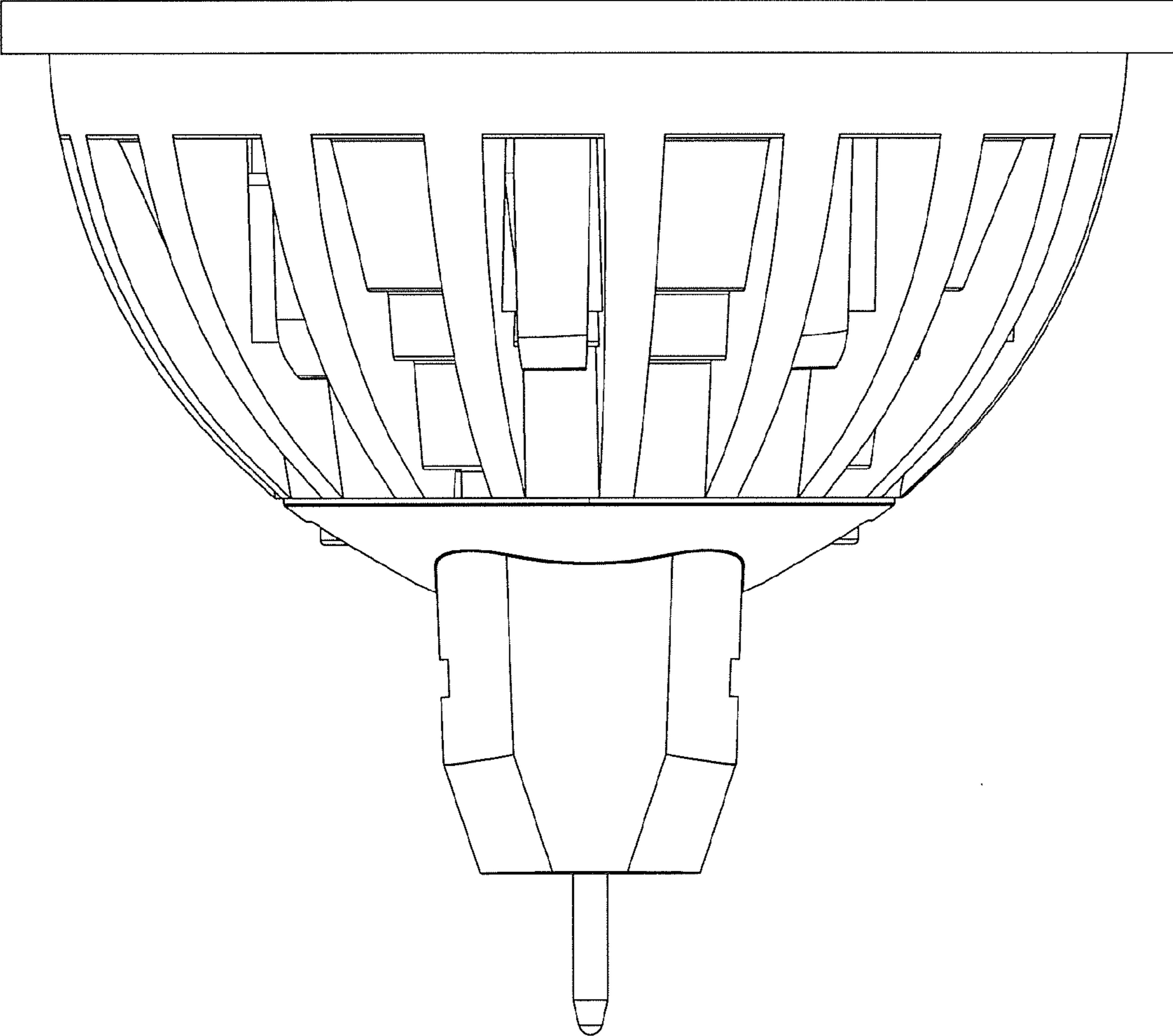


FIG. 5

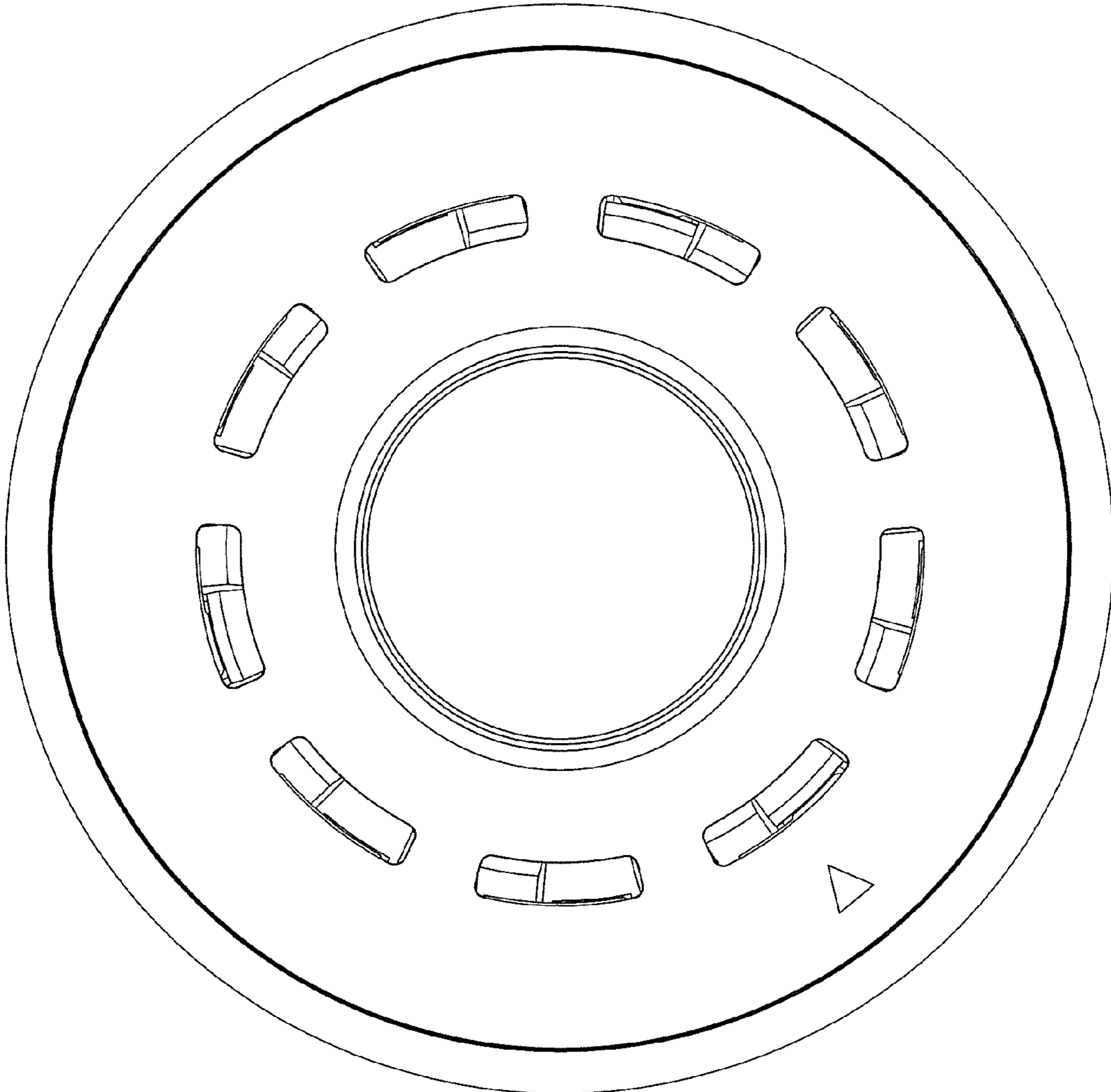


FIG. 6

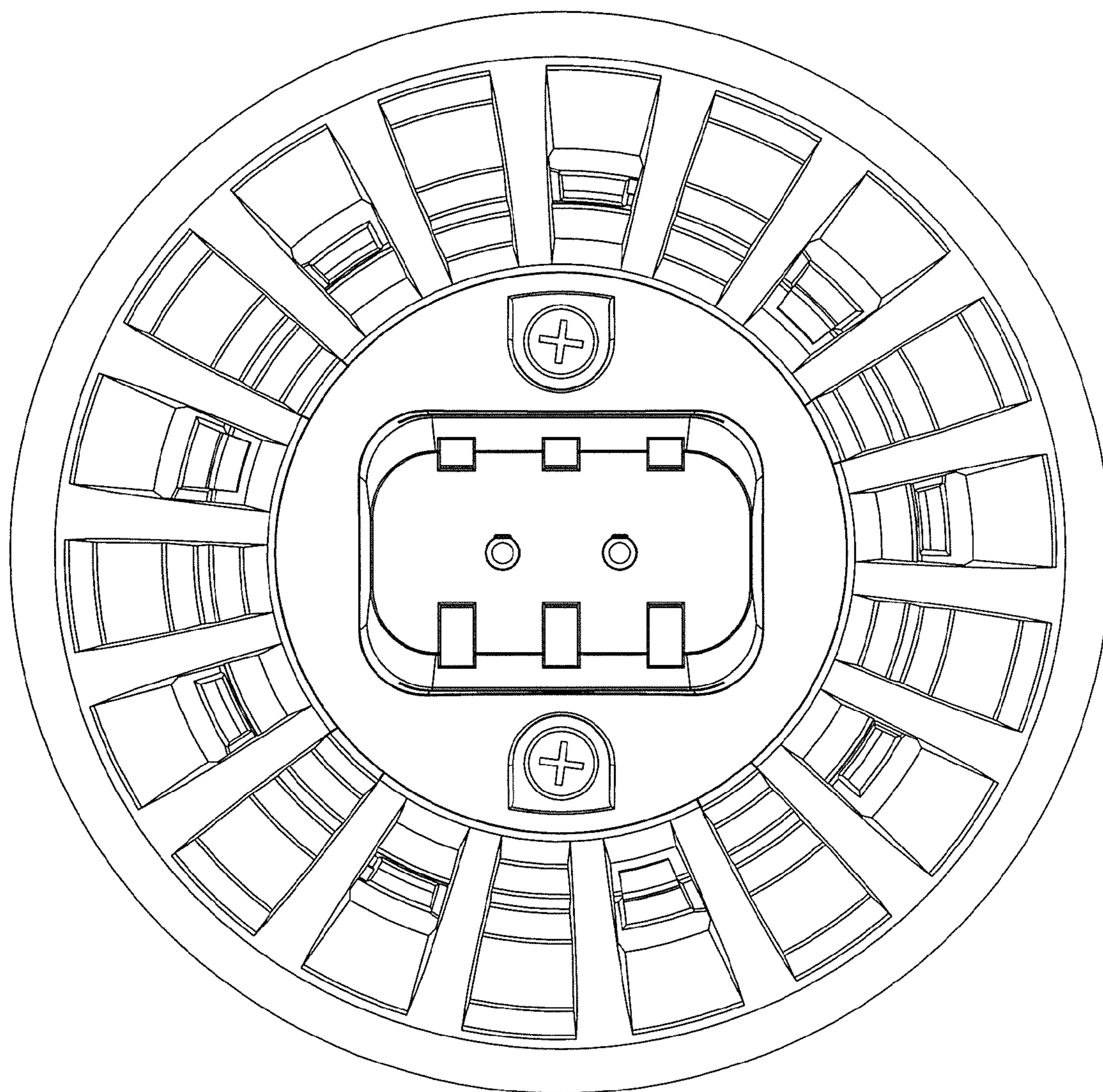


FIG. 7

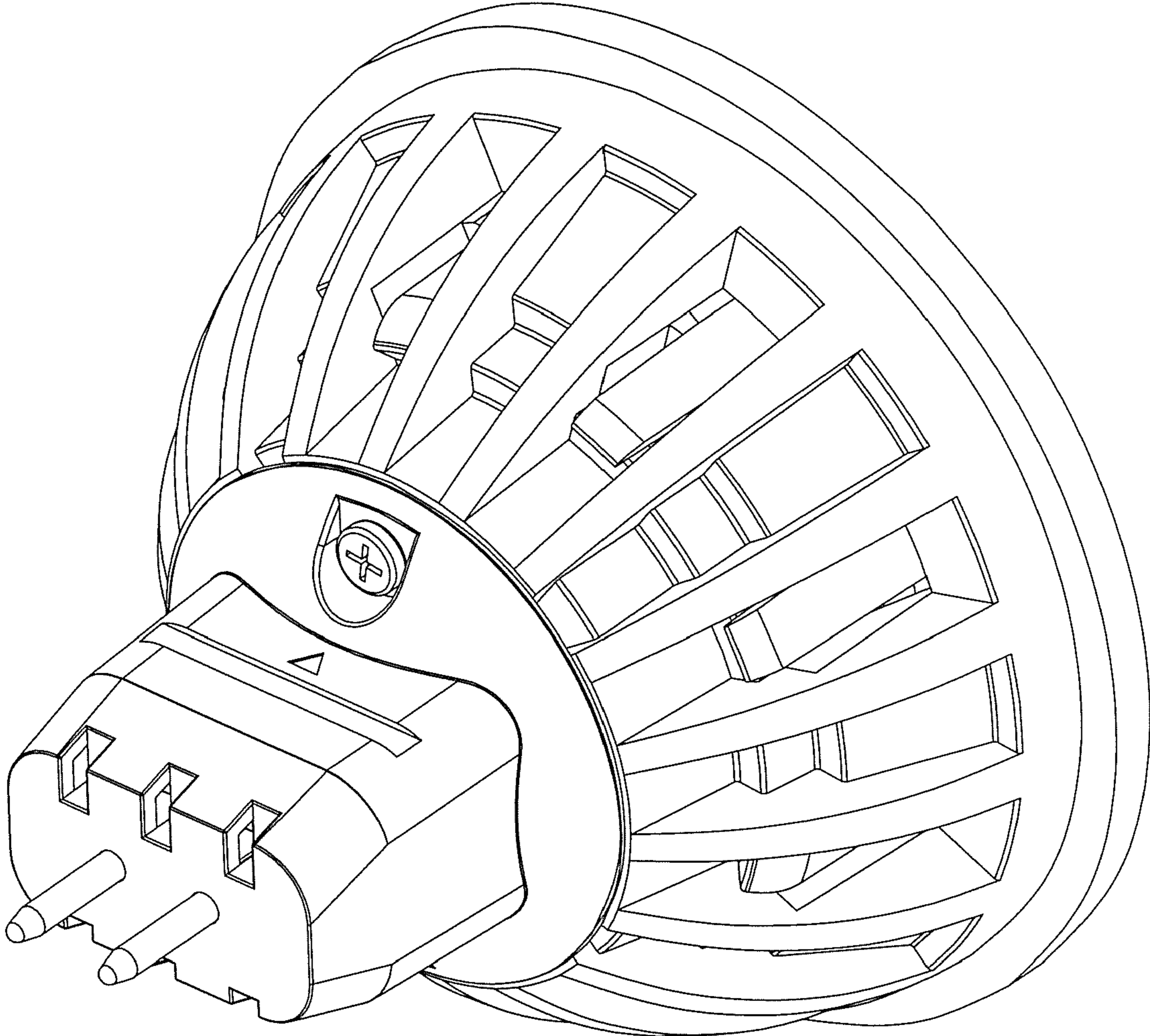


FIG. 8