

US00D601266S

(12) **United States Design Patent**
Johnston

(10) **Patent No.:** **US D601,266 S**

(45) **Date of Patent:** **** Sep. 29, 2009**

(54) **STORM PANEL AWNING**

D532,117 S 11/2006 Bruni

(75) Inventor: **Thomas B. Johnston**, Wellington, FL
(US)

* cited by examiner

Primary Examiner—Doris Clark

(73) Assignee: **American Builders & Contractors**
Supply Co., Inc., Beloit, WI (US)

(74) *Attorney, Agent, or Firm*—Leo & Brooks, LLC; Gerald
M. Walsh

(**) Term: **14 Years**

(57) **CLAIM**

(21) Appl. No.: **29/313,115**

I claim the ornamental design for a storm panel awning, as
shown and described.

(22) Filed: **Dec. 9, 2008**

DESCRIPTION

(51) **LOC (9) Cl.** **25-02**

FIG. 1 is a top front left perspective view of a storm panel
awning showing my new design;

(52) **U.S. Cl.** **D25/57**

FIG. 2 is a top view thereof;

(58) **Field of Classification Search** D25/57;
160/19, 22, 45, 23.1, 24, 26, 29; 52/75, 74,
52/202, 203; 49/71

FIG. 3 is a front view thereof;

FIG. 4 is a rear view thereof;

See application file for complete search history.

FIG. 5 is a left side view thereof, the right side view being
identical to the left side view;

(56) **References Cited**

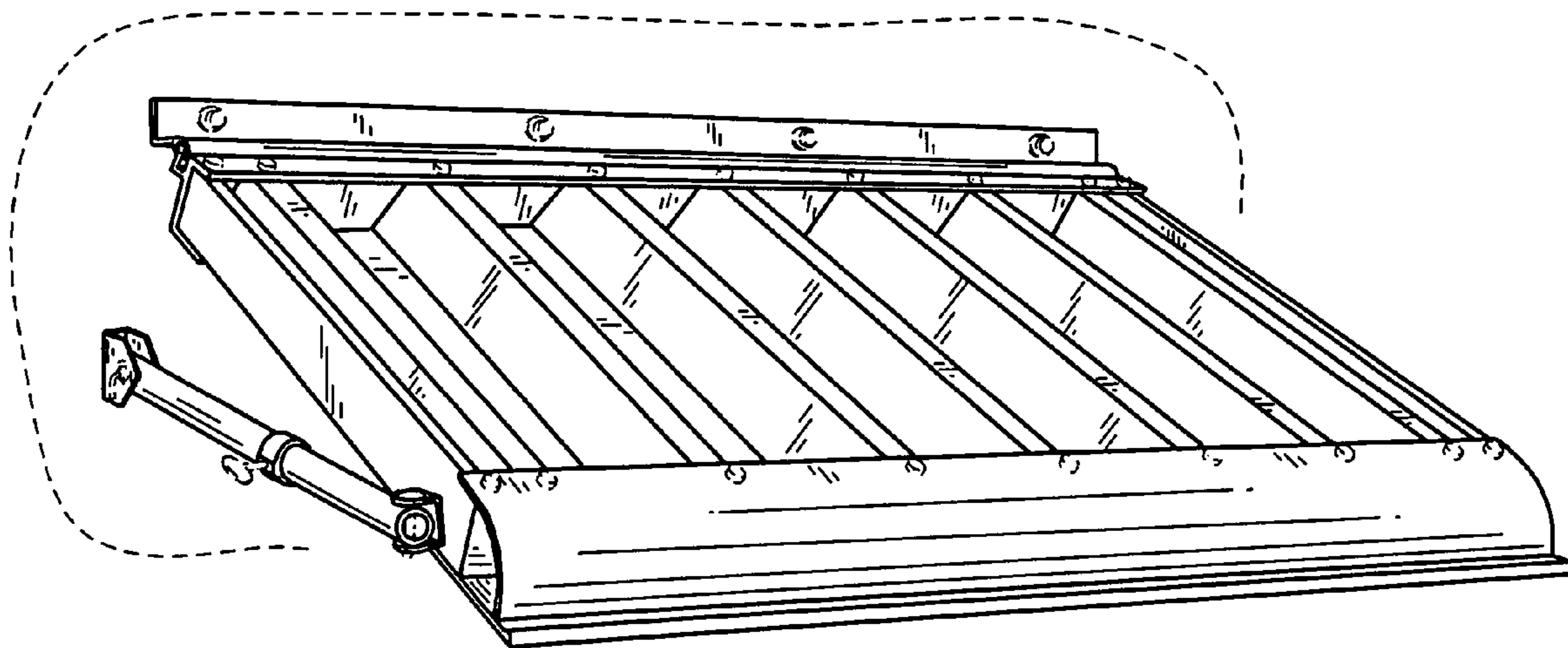
U.S. PATENT DOCUMENTS

D181,161 S *	10/1957	Morasca	D25/57
3,402,516 A *	9/1968	Kanarr	52/75
3,831,319 A *	8/1974	Warner	49/62
5,426,893 A *	6/1995	Hoffman	49/464
5,592,790 A *	1/1997	Requejo	52/77

FIG. 6 is a bottom view thereof; and,

FIG. 7 is a perspective view thereof, shown in it's intended
use, wherein the broken lines are shown for illustrative pur-
poses only and form no part of the claimed design.

1 Claim, 5 Drawing Sheets



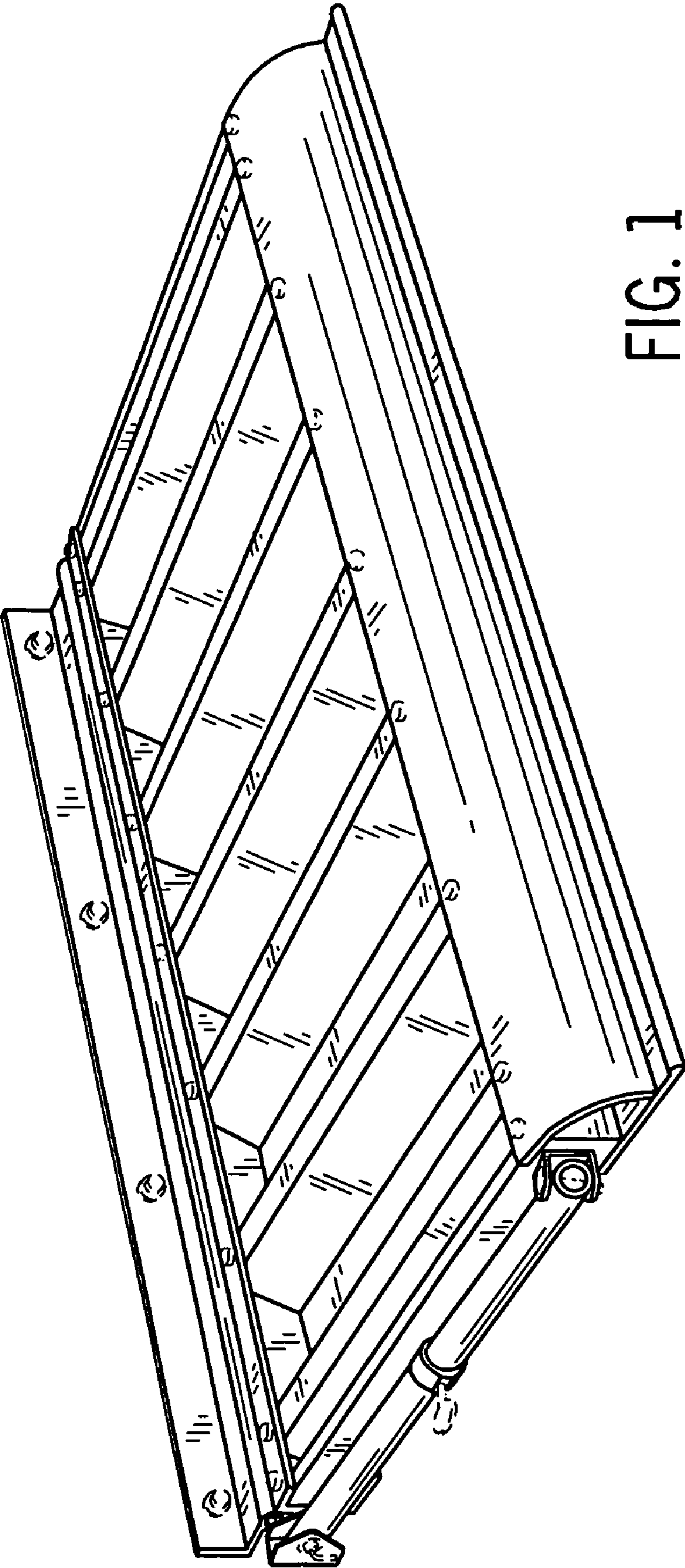


FIG. 1

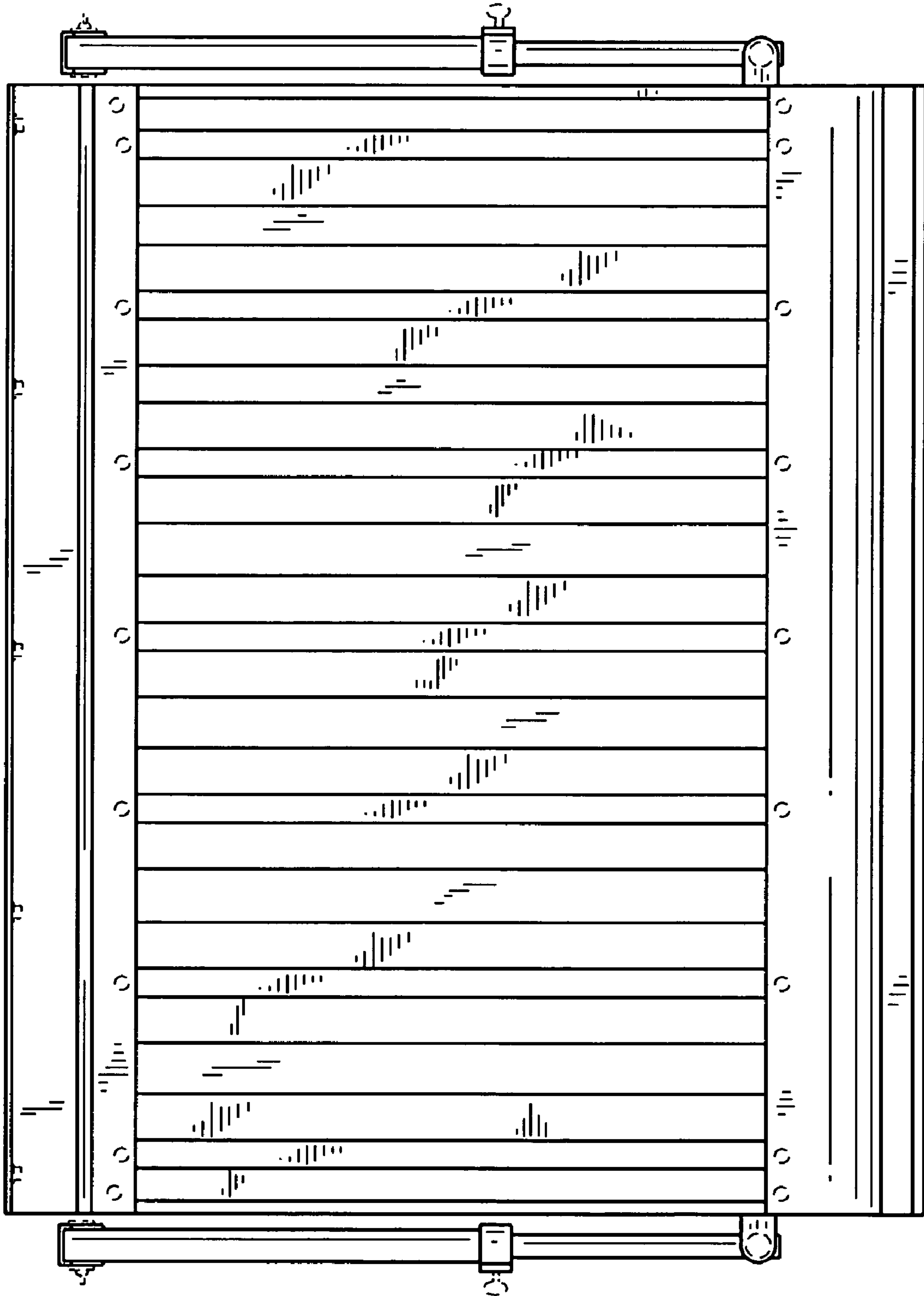


FIG. 2

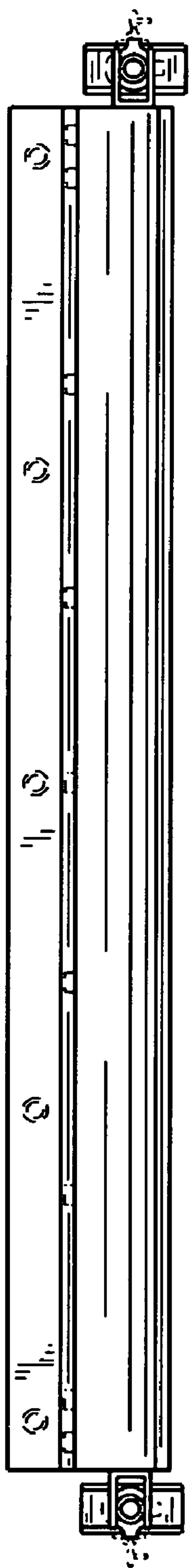


FIG. 3

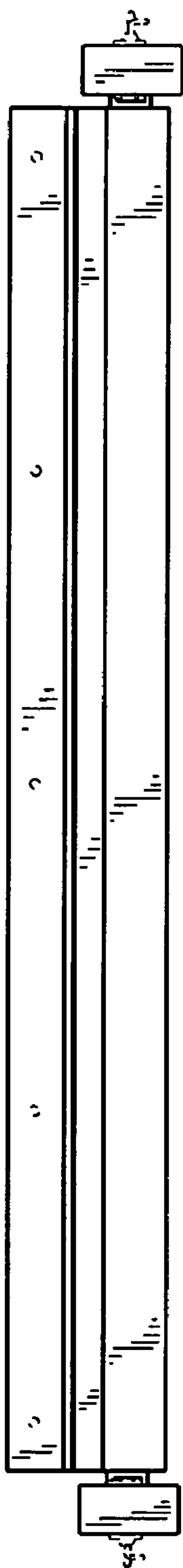


FIG. 4

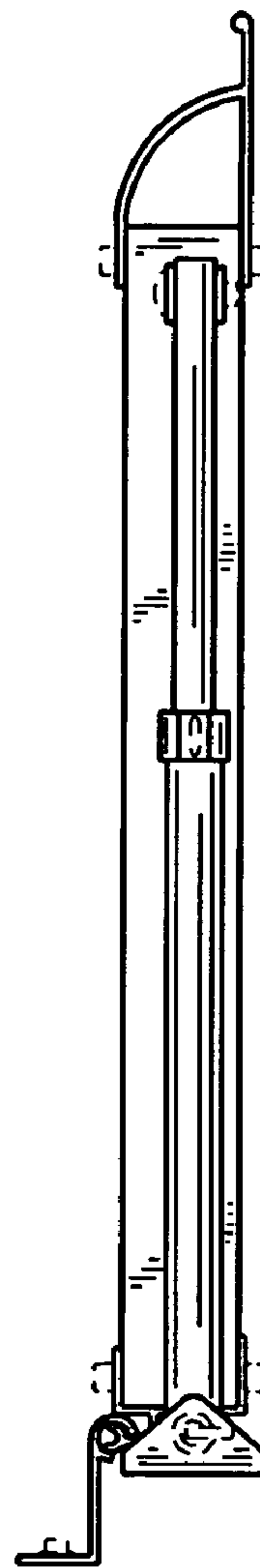


FIG. 5

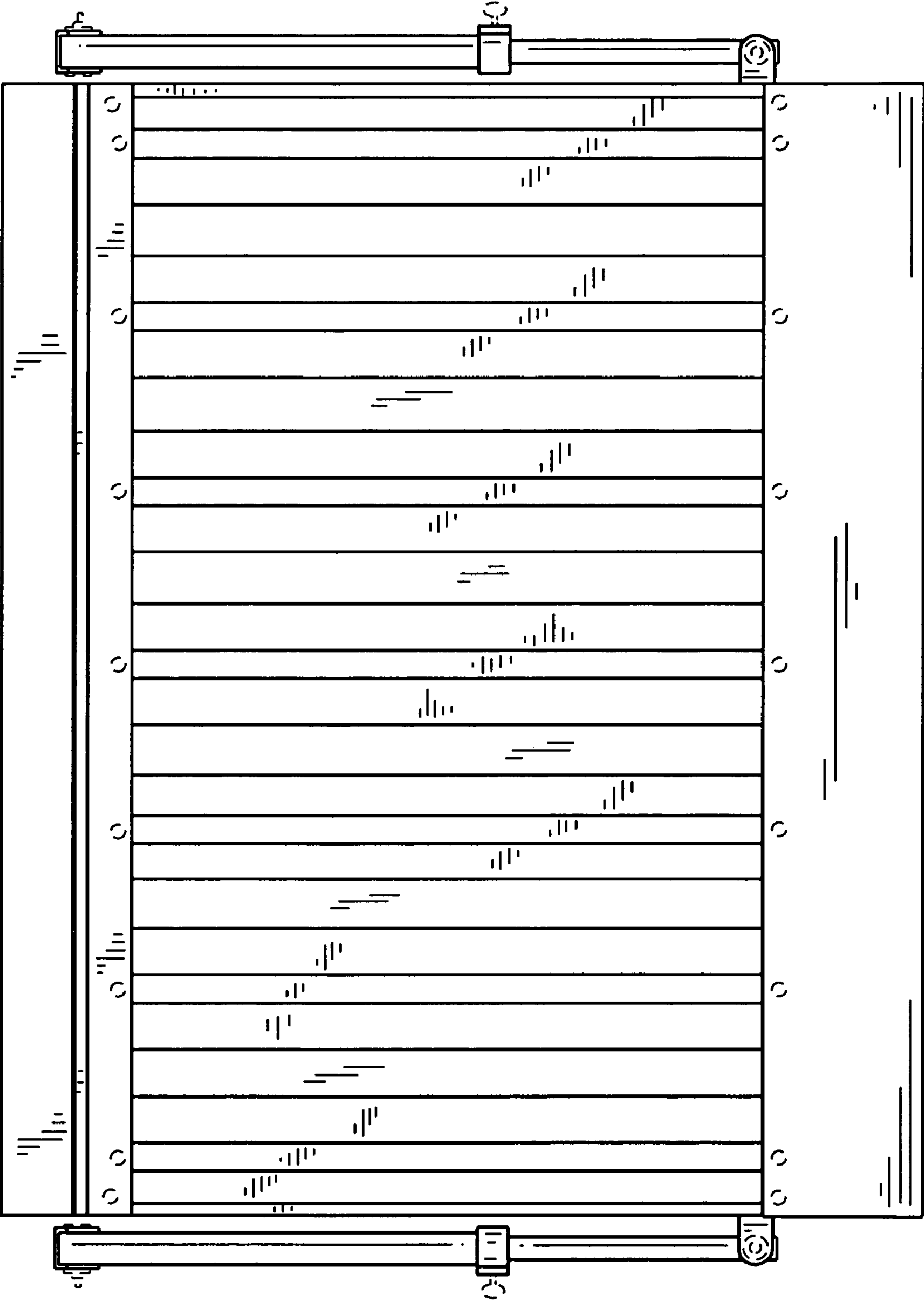


FIG. 6

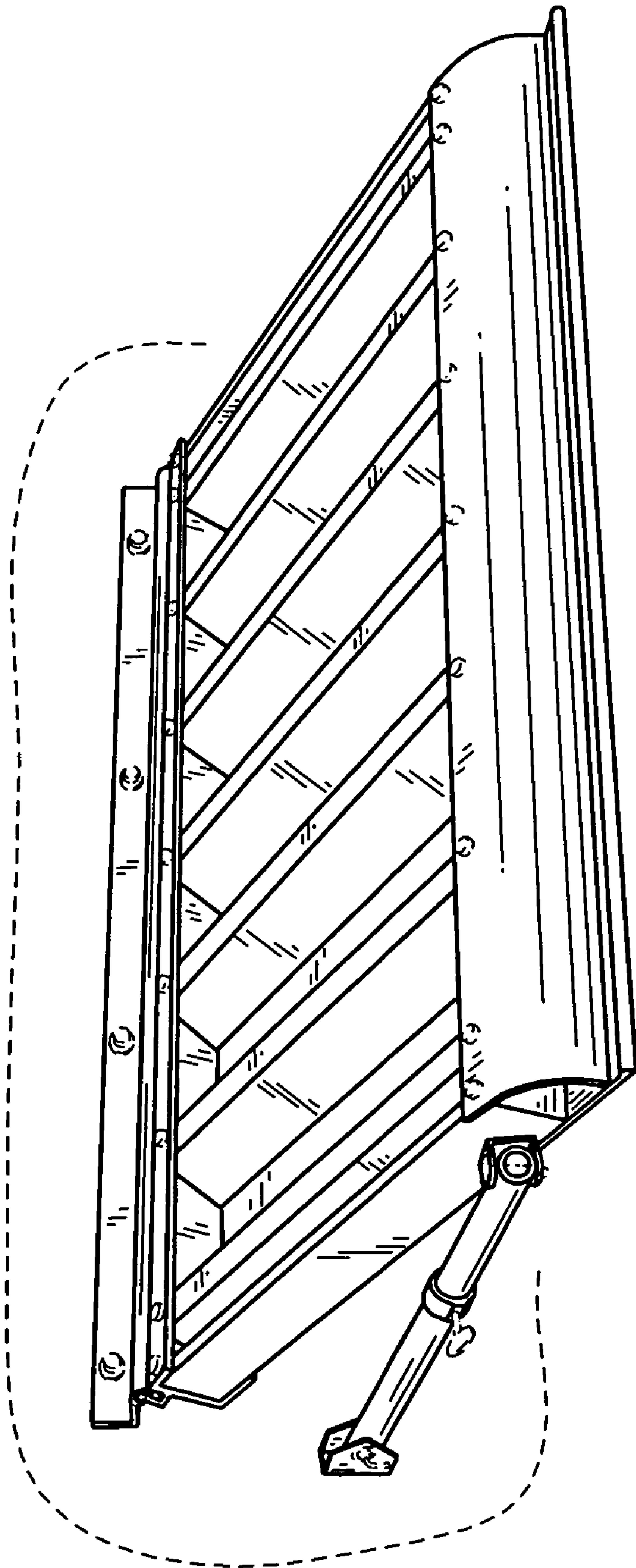


FIG. 7