



US00D601265S

(12) **United States Design Patent**
Lin

(10) **Patent No.:** **US D601,265 S**

(45) **Date of Patent:** **** Sep. 29, 2009**

(54) **DENTAL APPLIANCE SANITIZING DEVICE**

(75) Inventor: **Chih-Ju Lin**, Taishan Township, Taipei County (TW)

(73) Assignees: **Brain-Pad, Inc.**, Conshohocken, PA (US); **Shun Hsiang Plastic Co., Ltd.**, Taipei (TW)

(**) Term: **14 Years**

(21) Appl. No.: **29/328,522**

(22) Filed: **Nov. 25, 2008**

(51) **LOC (9) Cl.** **24-01**

(52) **U.S. Cl.** **D24/217**

(58) **Field of Classification Search** D24/216–226;
422/99, 102, 26, 291, 292, 295–297, 299;
D9/503, 504, 529, 530, 516, 522, 549; D3/203.1–203.8;
435/288.1, 304.1; 436/810; D32/1; D28/73
See application file for complete search history.

(56) **References Cited**

U.S. PATENT DOCUMENTS

D200,346 S *	2/1965	Clecone	D24/217
D256,392 S *	8/1980	Thomas et al.	D24/218
D257,486 S *	11/1980	Thomas	D24/218
D257,488 S *	11/1980	Thomas et al.	D24/218
D257,790 S *	1/1981	Kesling	D24/227
D315,039 S *	2/1991	Wortham	D32/1
D330,086 S *	10/1992	Chen	D24/218
D341,233 S *	11/1993	Muller	D32/1
D346,674 S *	5/1994	Berghash	D28/73
5,520,892 A *	5/1996	Bowen	422/295
D427,686 S *	7/2000	Butler et al.	D3/203.1
D459,036 S *	6/2002	Bredo et al.	D32/1
D496,154 S *	9/2004	Herman et al.	D3/203.1

* cited by examiner

Primary Examiner—T. Chase Nelson

Assistant Examiner—Anhdao Doan

(74) *Attorney, Agent, or Firm*—John F. Letchford; Archer & Greiner, P.C.

(57) **CLAIM**

The ornamental design for a dental appliance sanitizing device, as shown and described.

DESCRIPTION

FIG. 1 is a perspective view of a first embodiment of a dental appliance sanitizing device showing my new design;

FIG. 2 is a top plan view thereof;

FIG. 3 is a bottom plan view thereof;

FIG. 4 is a right side elevational view thereof;

FIG. 5 is a left side elevational view thereof;

FIG. 6 is a rear elevational view thereof;

FIG. 7 is a front elevational view thereof;

FIG. 8 is a perspective view of a second embodiment of a dental appliance sanitizing device showing my new design;

FIG. 9 is a top plan view thereof;

FIG. 10 is a bottom plan view thereof;

FIG. 11 is a right side elevational view thereof;

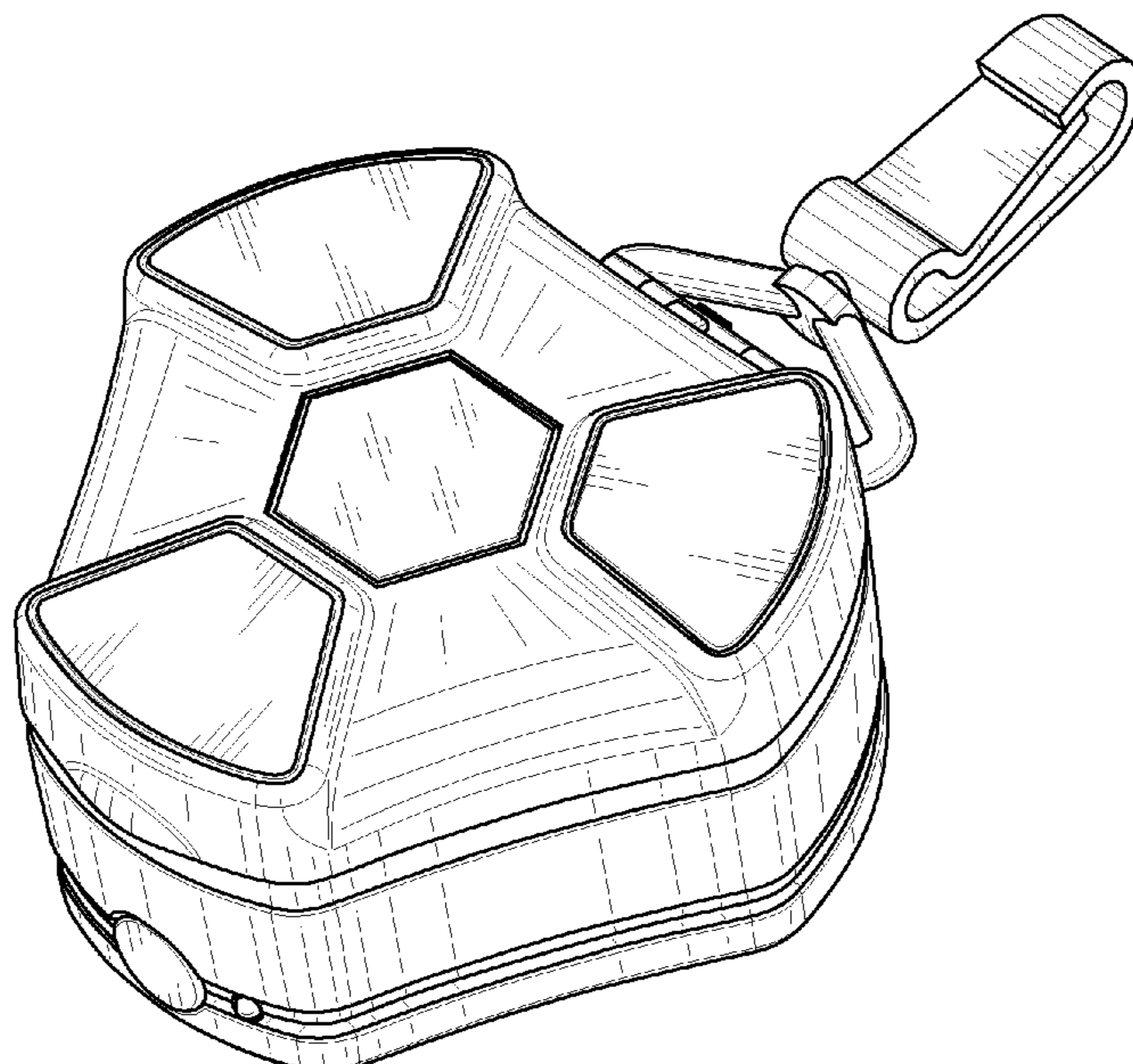
FIG. 12 is a left side elevational view thereof;

FIG. 13 is a rear elevational view thereof; and,

FIG. 14 is a front elevational view thereof.

The broken lines in the drawing views are included for the purpose of illustrating portions of the dental appliance sanitizing device that form no part of the claimed design.

1 Claim, 8 Drawing Sheets



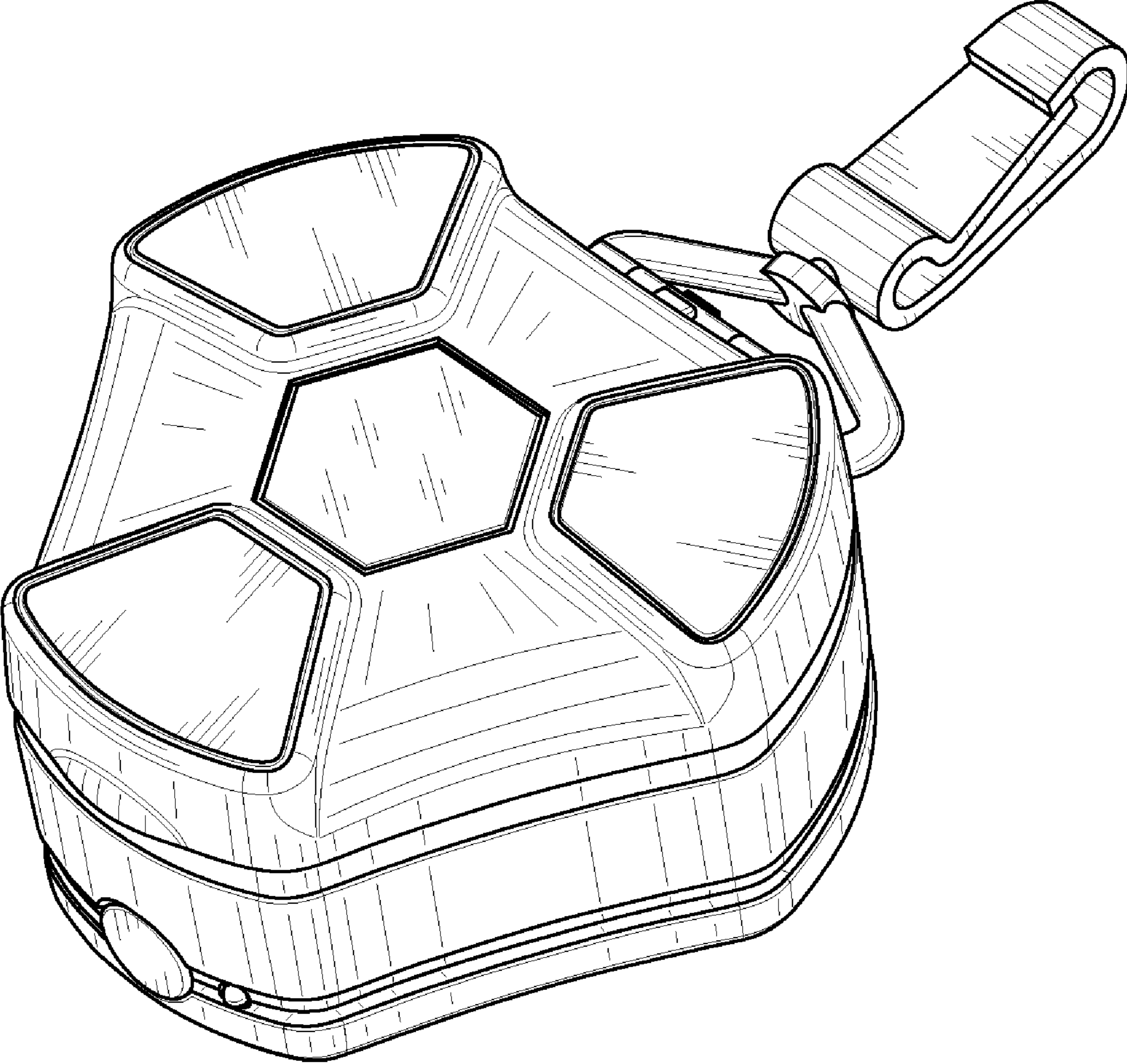


FIG. 1

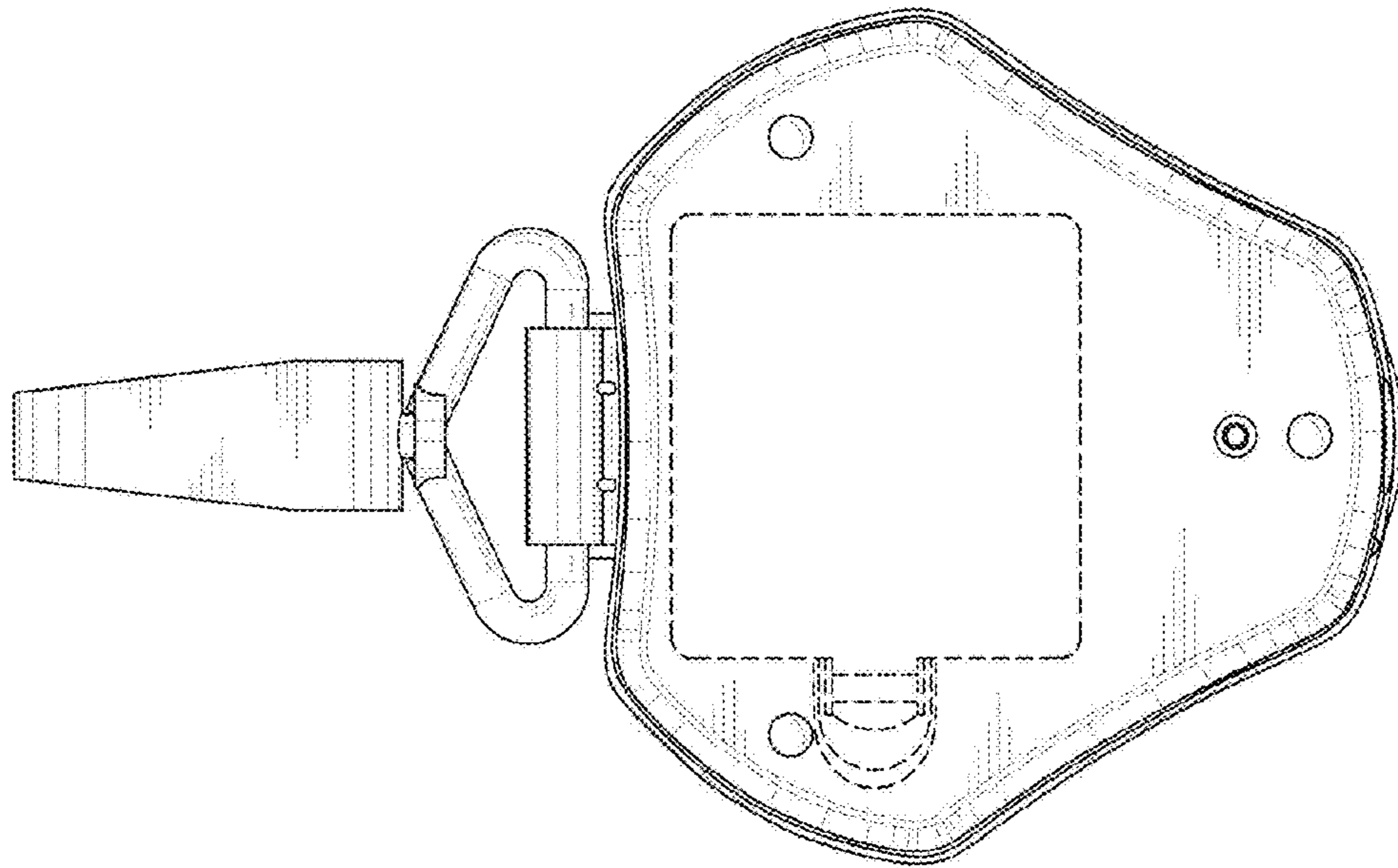


FIG. 3

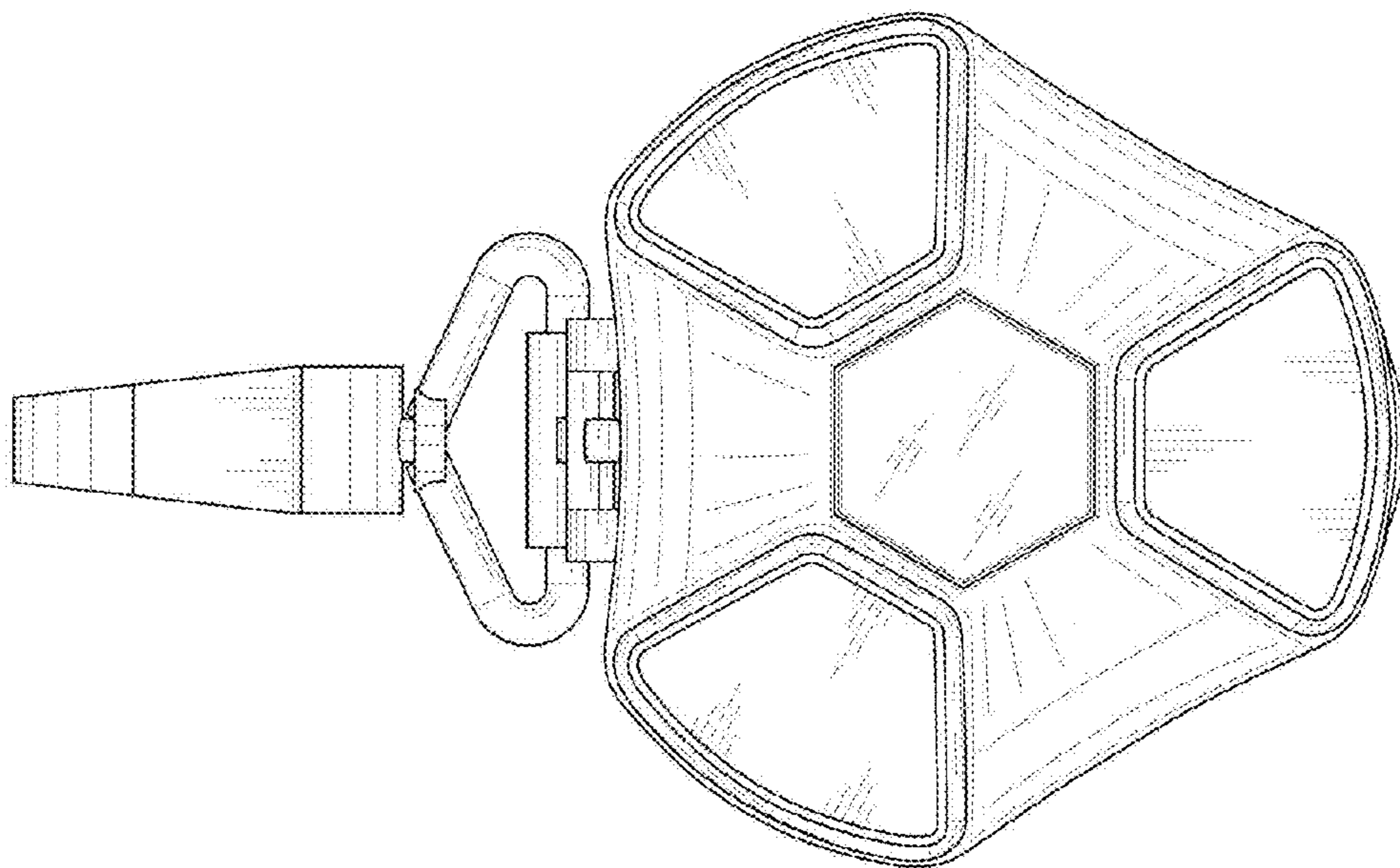


FIG. 2

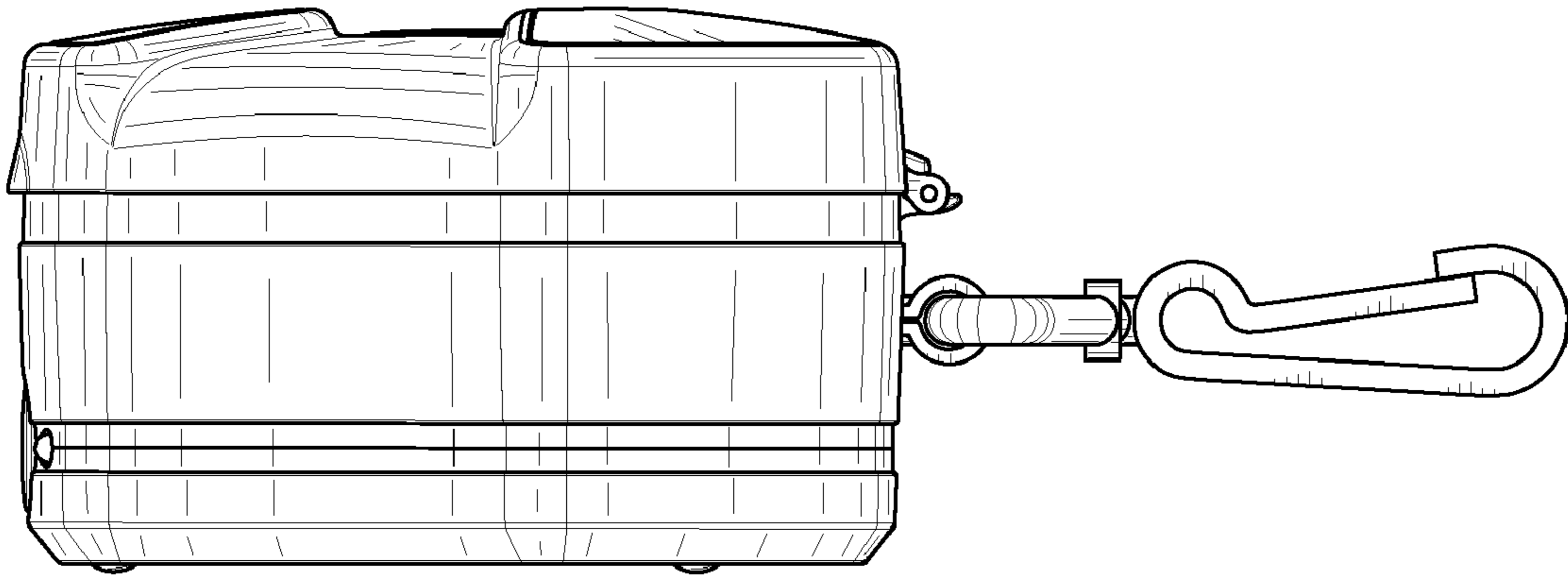


FIG. 4

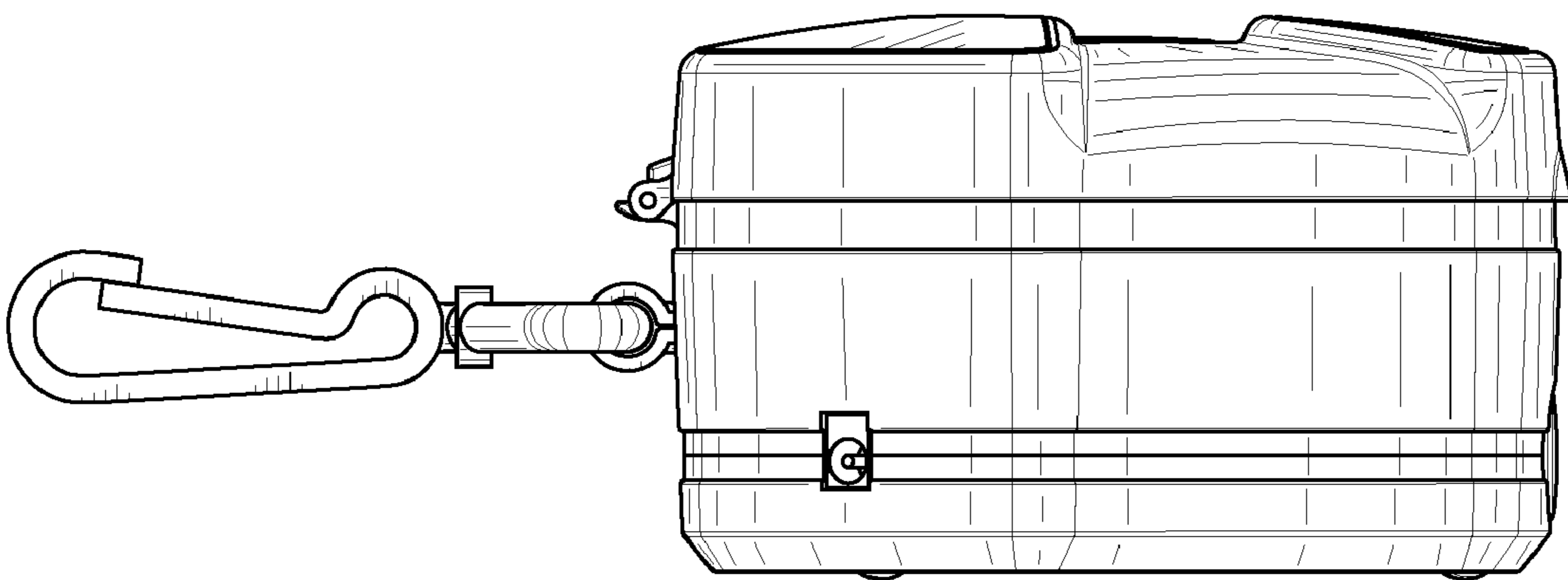


FIG. 5

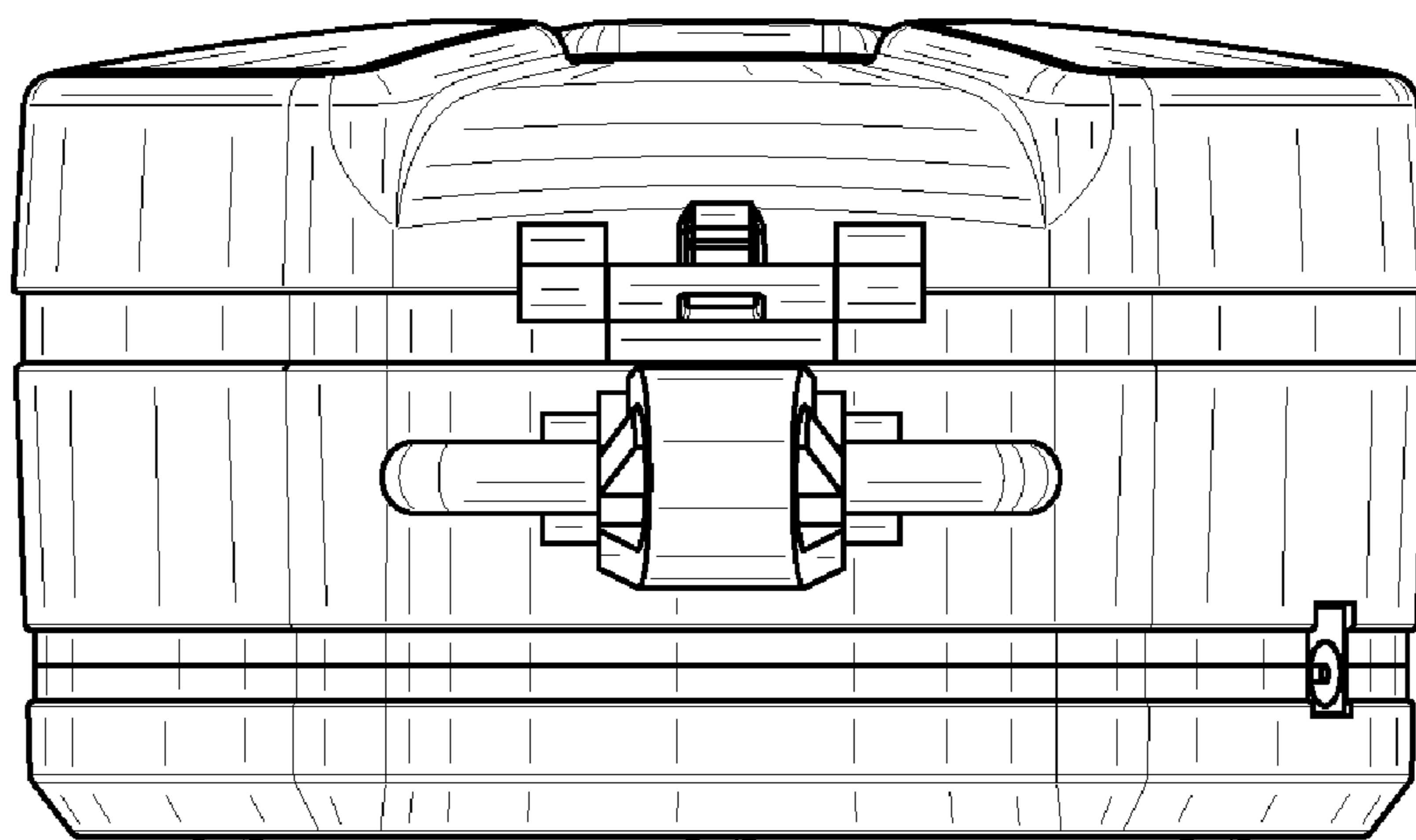


FIG. 6

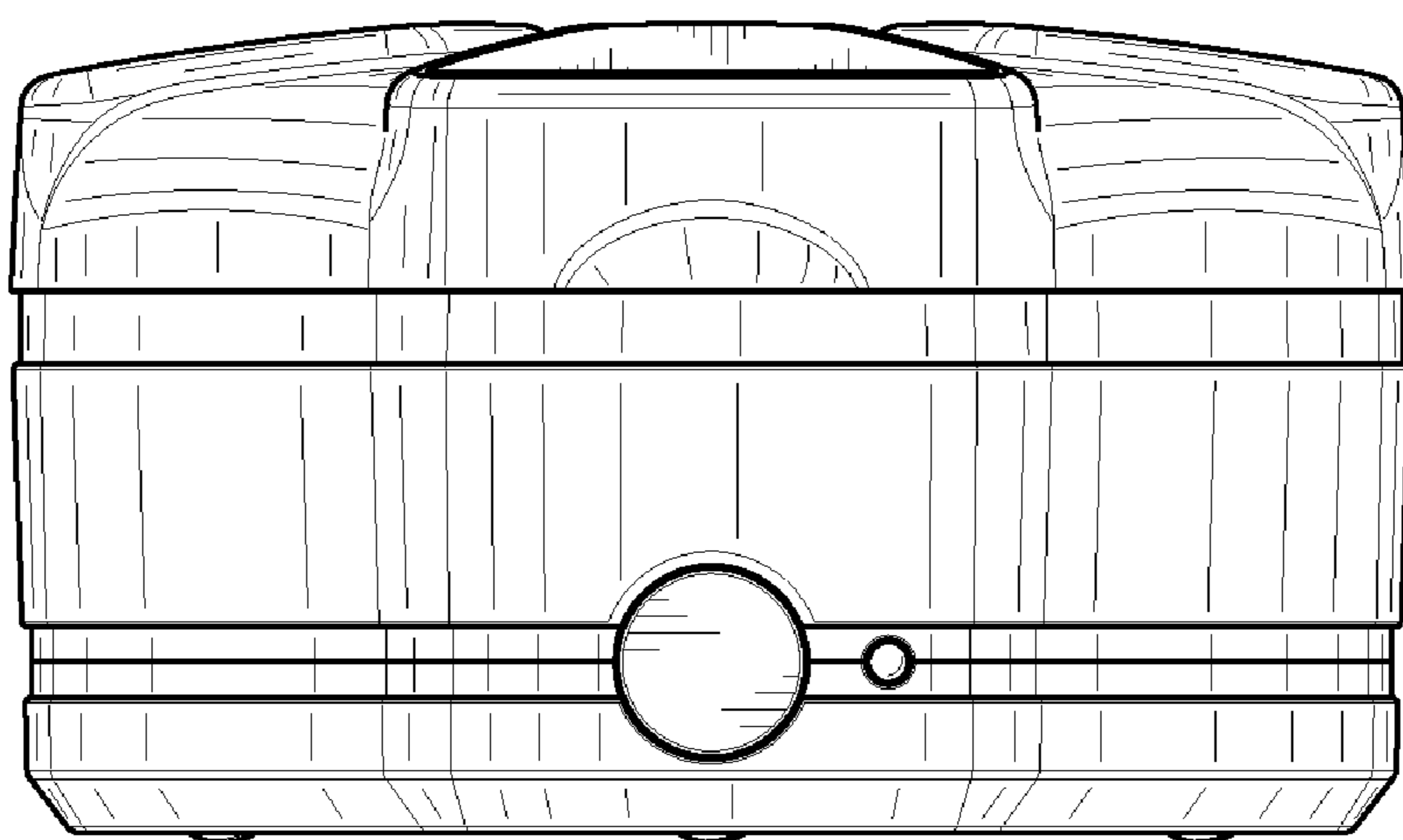


FIG. 7

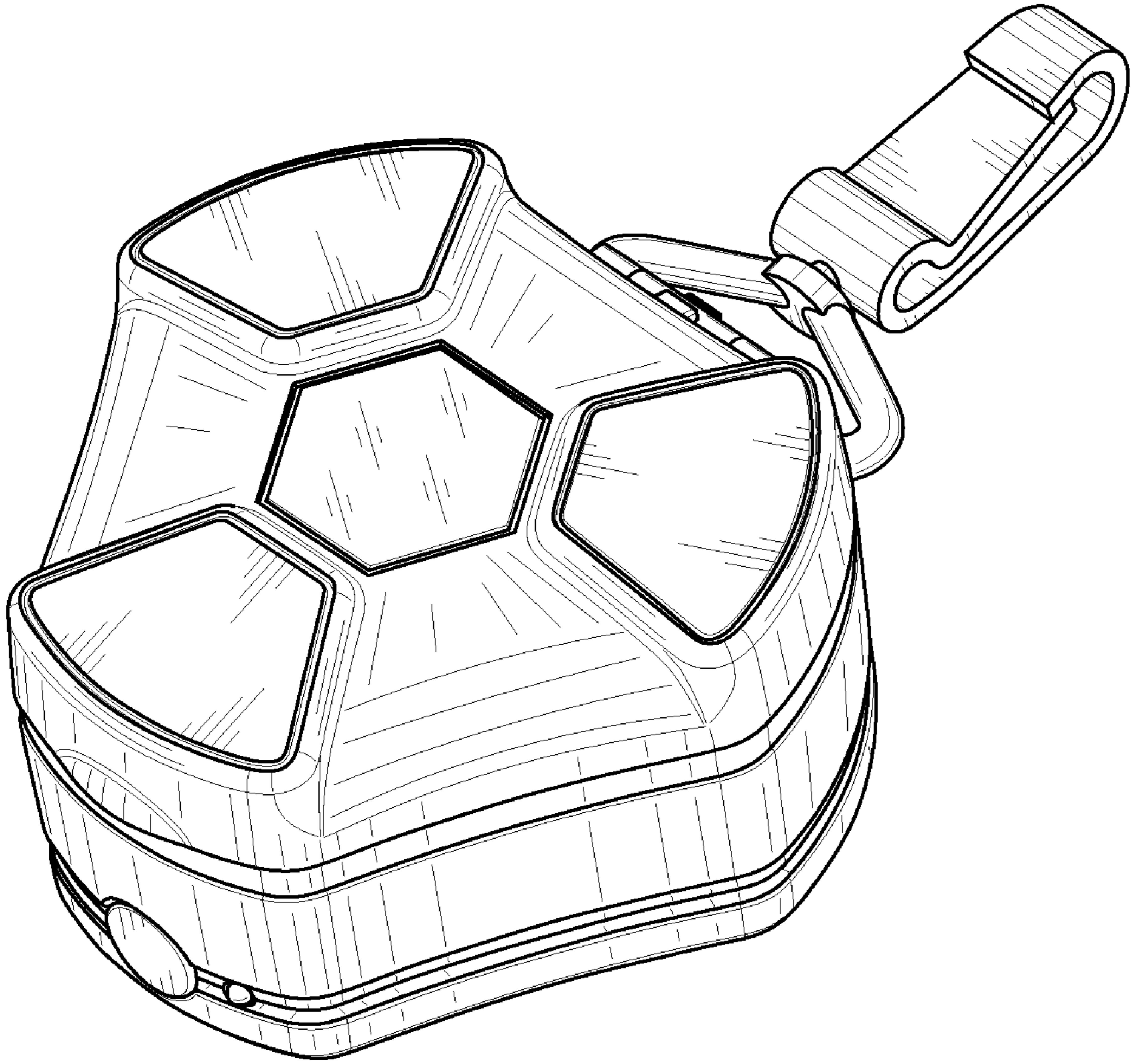


FIG. 8

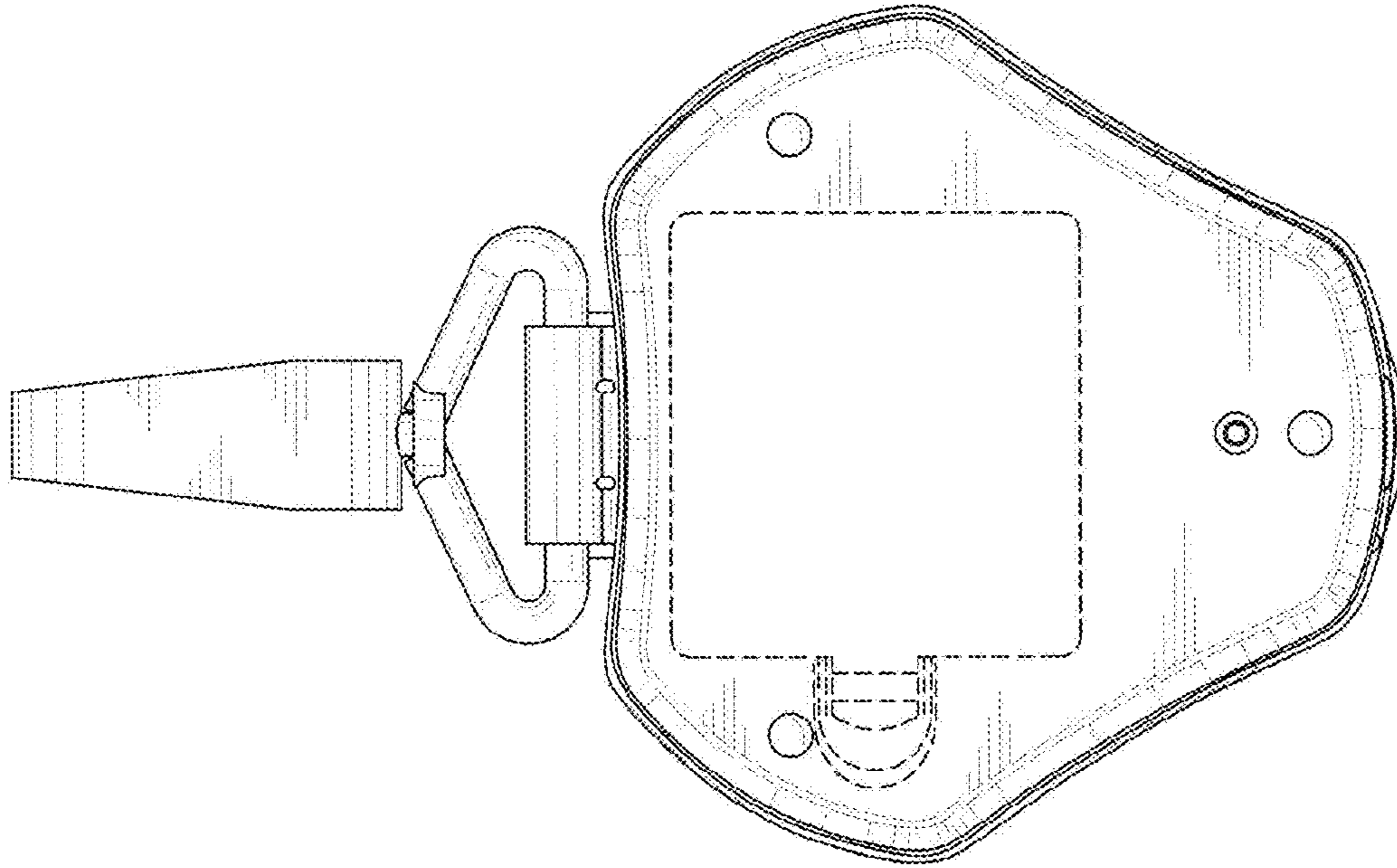


FIG. 10

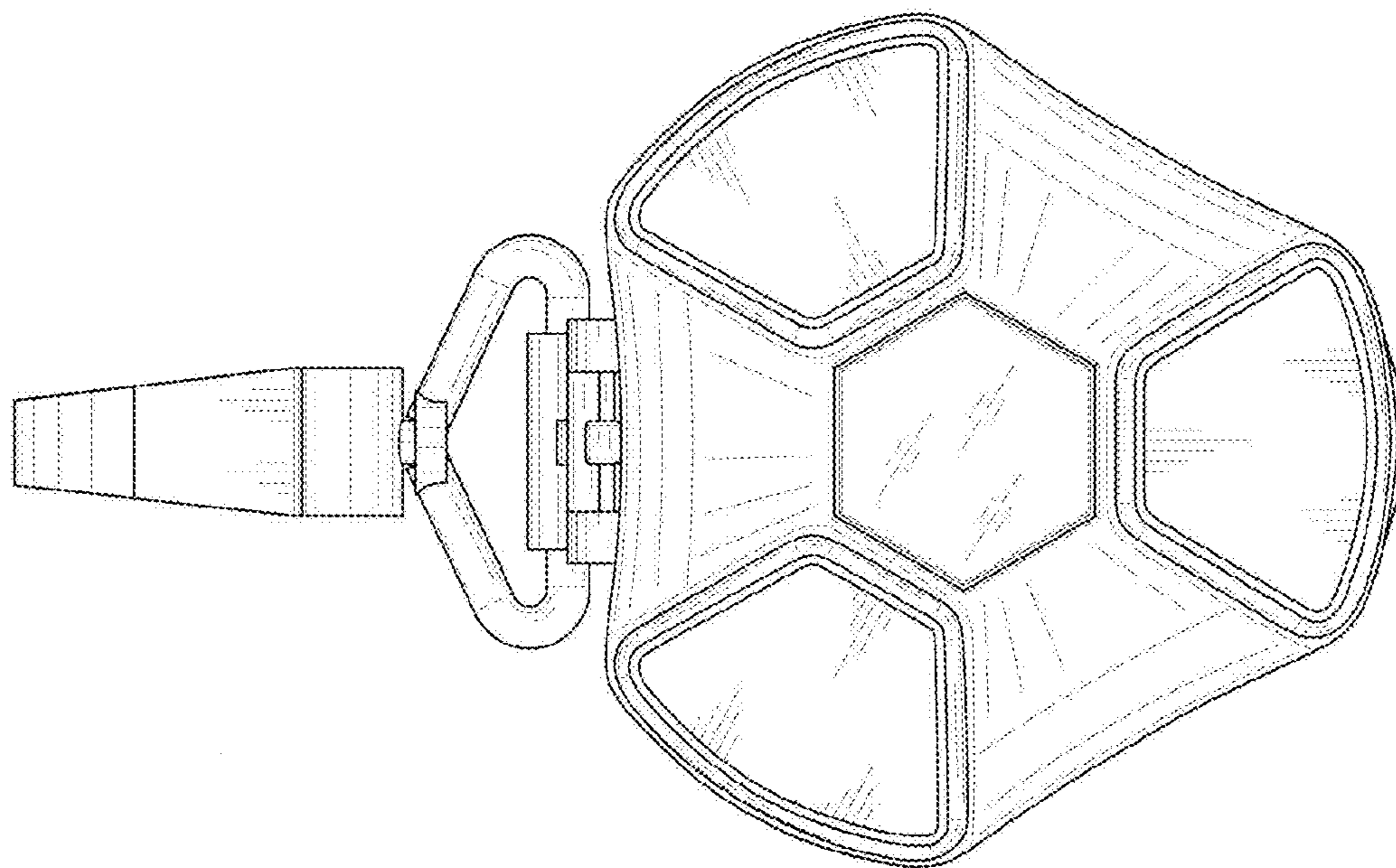


FIG. 9

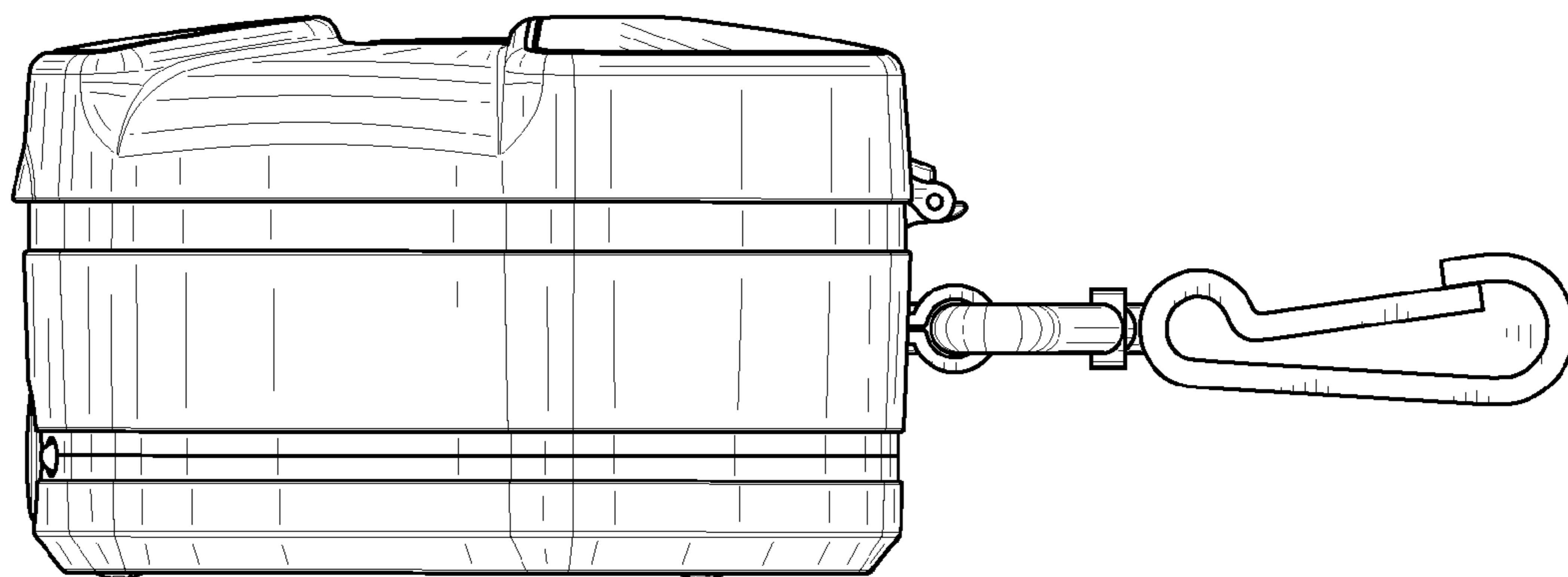


FIG. 11

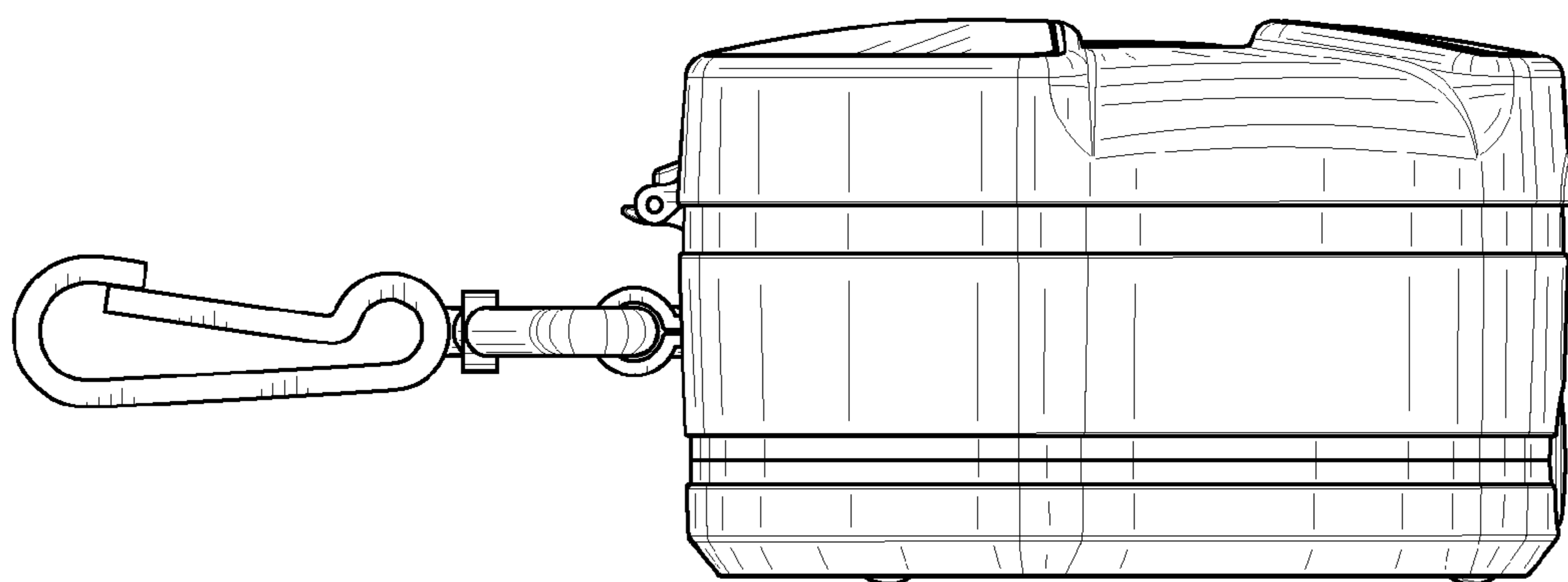


FIG. 12

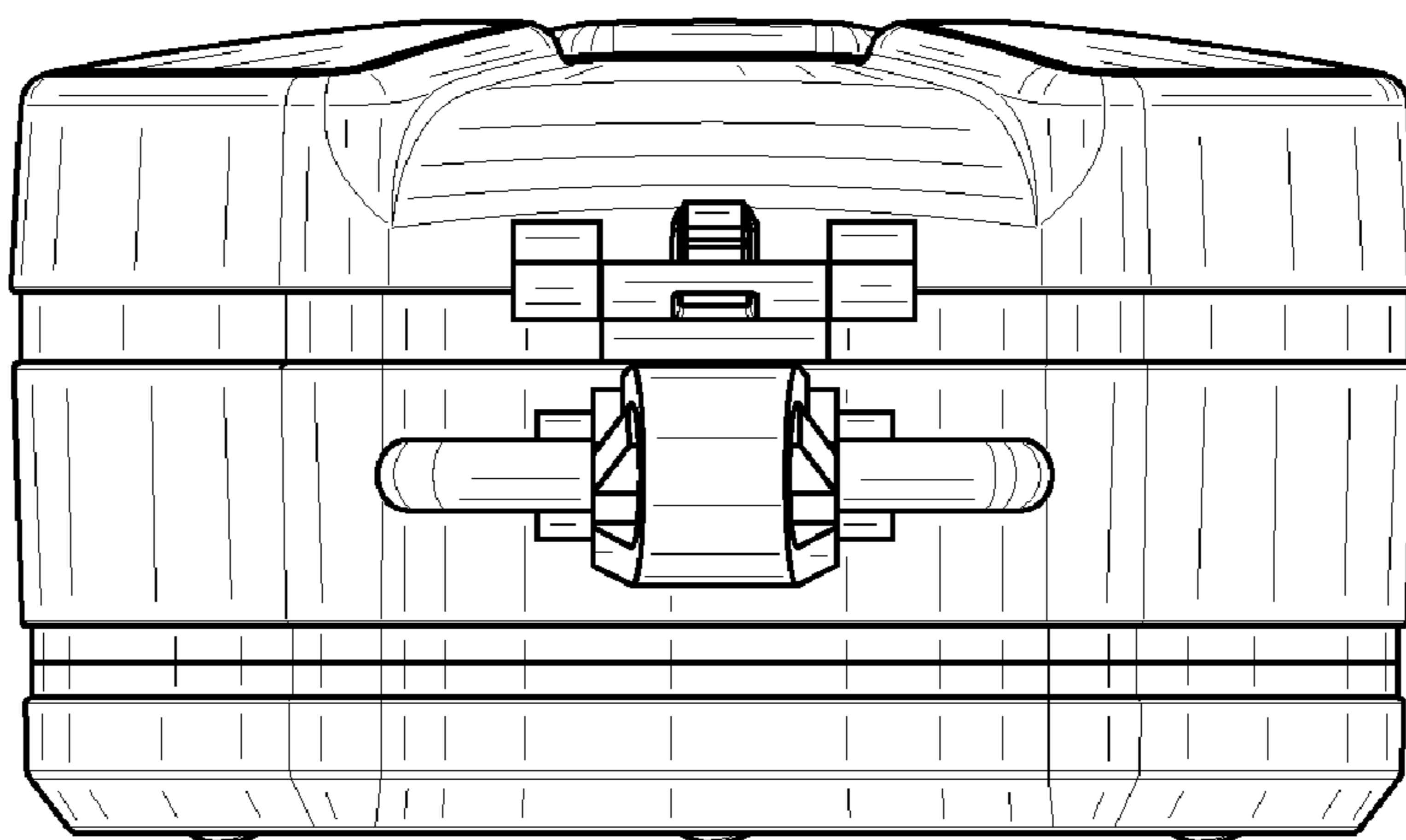


FIG. 13

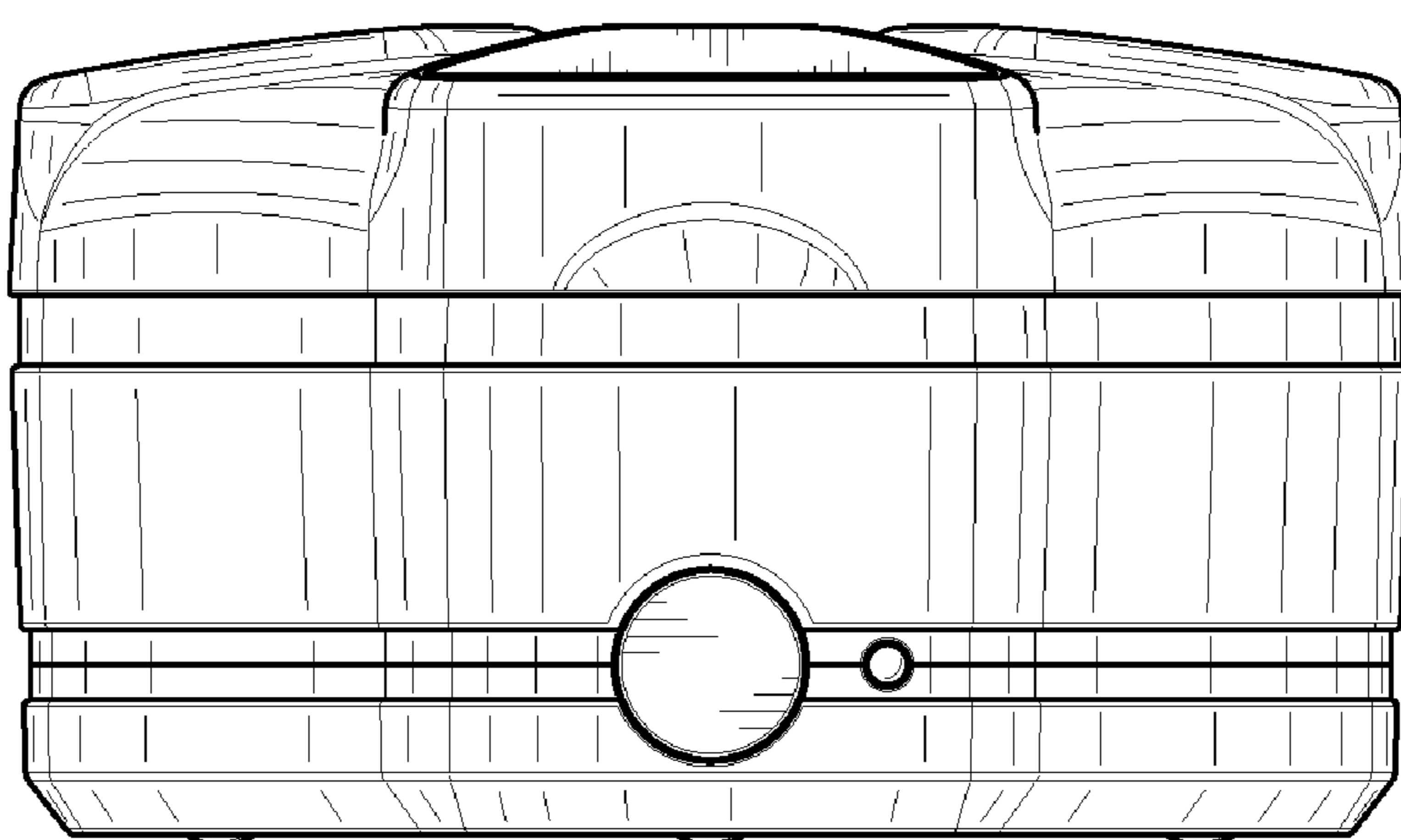


FIG. 14