



US00D601264S

(12) **United States Design Patent**  
**Patterson et al.**

(10) **Patent No.:** **US D601,264 S**

(45) **Date of Patent:** **\*\* Sep. 29, 2009**

(54) **BASIN HAVING CONTOUR BULGES AND CHANNELS**

TW D120153 11/2007  
OTHER PUBLICATIONS

(75) Inventors: **James Robert Patterson**, Milwaukee, WI (US); **Thai Hoang Dang**, Milwaukee, WI (US)

Office Action for Taiwan Application No. 097304291, dated Apr. 20, 2009, 5 pages.

\* cited by examiner

(73) Assignee: **European Touch Holdings, Inc.**, Milwaukee, WI (US)

*Primary Examiner*—Cathron C Brooks

*Assistant Examiner*—Melanie Levy

(74) *Attorney, Agent, or Firm*—Foley & Lardner LLP

(\*\*) Term: **14 Years**

(57) **CLAIM**

(21) Appl. No.: **29/294,768**

We claim the ornamental design for a basin having contour bulges and channels, as shown and described.

(22) Filed: **Jan. 25, 2008**

(51) **LOC (9) Cl.** ..... **24-04**

(52) **U.S. Cl.** ..... **D24/213; D24/201**

(58) **Field of Classification Search** ..... D24/200–205, D24/210–213; 601/6, 15, 64, 157–158, 30–32; 607/144; 4/622, 547.1; D28/56, 61  
See application file for complete search history.

**DESCRIPTION**

FIG. 1 is a top perspective view of a basin having contour bulges and channels showing our new design;

FIG. 2 is a top plan view thereof;

FIG. 3 is a bottom plan view thereof;

FIG. 4 is a side elevation view thereof with the other side being identical;

FIG. 5 is a front elevation view thereof;

FIG. 6 is a rear elevation view thereof;

FIG. 7 is a cross-section view along the line 7—7 in Figure;

FIG. 8 is a cross-section view along the line 8—8 in FIG. 2;

FIG. 9 is a cross-section view along the line 9—9 in FIG. 2;

FIG. 10 is a cross-section view along the line 10—10 in FIG. 2 thereof; and,

FIG. 11 is a cross-section view along the line 11—11 in FIG. 2.2.

The ornamental design which is claimed is shown in solid lines in the drawings. The broken lines in the drawings are for illustrative purposes only and form no part of the claimed design.

(56) **References Cited**

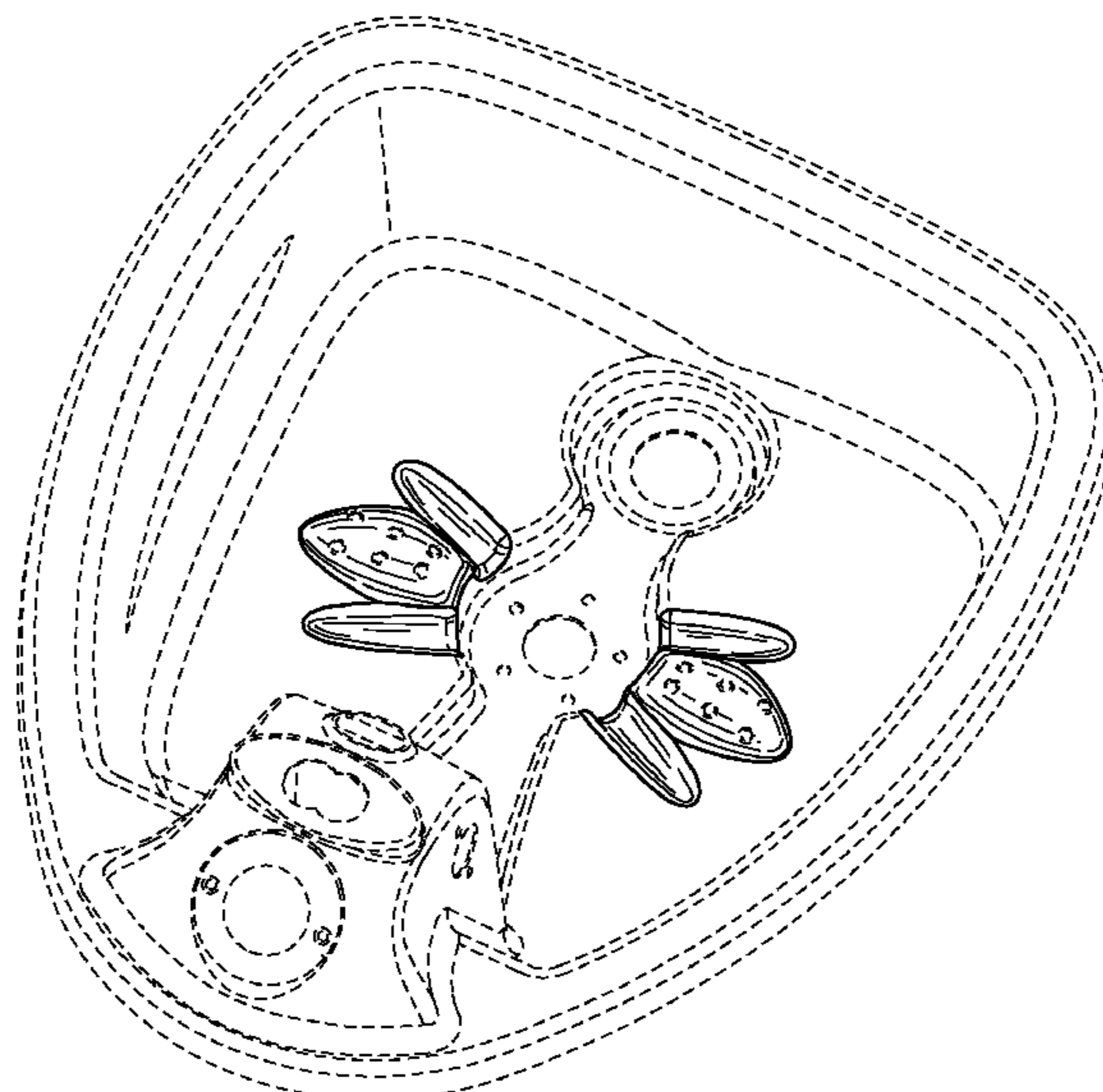
U.S. PATENT DOCUMENTS

4,513,735	A *	4/1985	Friedson et al.	601/15
D346,434	S *	4/1994	Hunger et al.	D24/204
D453,836	S *	2/2002	Gillette et al.	D24/213
D463,030	S *	9/2002	Ferber	D24/213
D471,638	S *	3/2003	Ferber	D24/213
6,725,471	B2 *	4/2004	Ferber et al.	4/622
D506,830	S *	6/2005	Zimmermann	D24/204

FOREIGN PATENT DOCUMENTS

JP	D1279858	8/2006
JP	D1280682	9/2006
JP	D1284112	10/2006
TW	D111297	6/2006
TW	D115258	1/2007

**1 Claim, 7 Drawing Sheets**



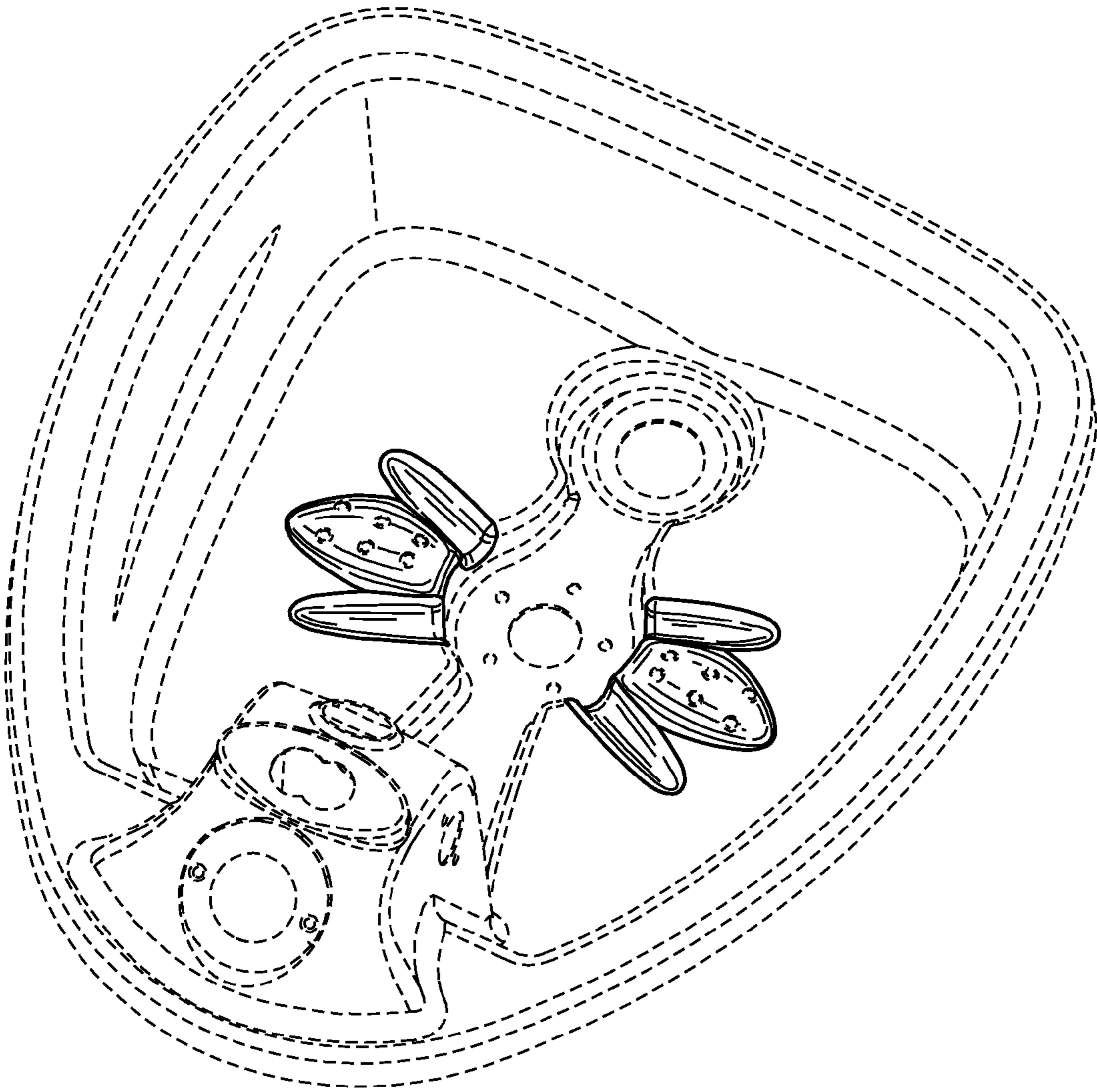


FIG. 1

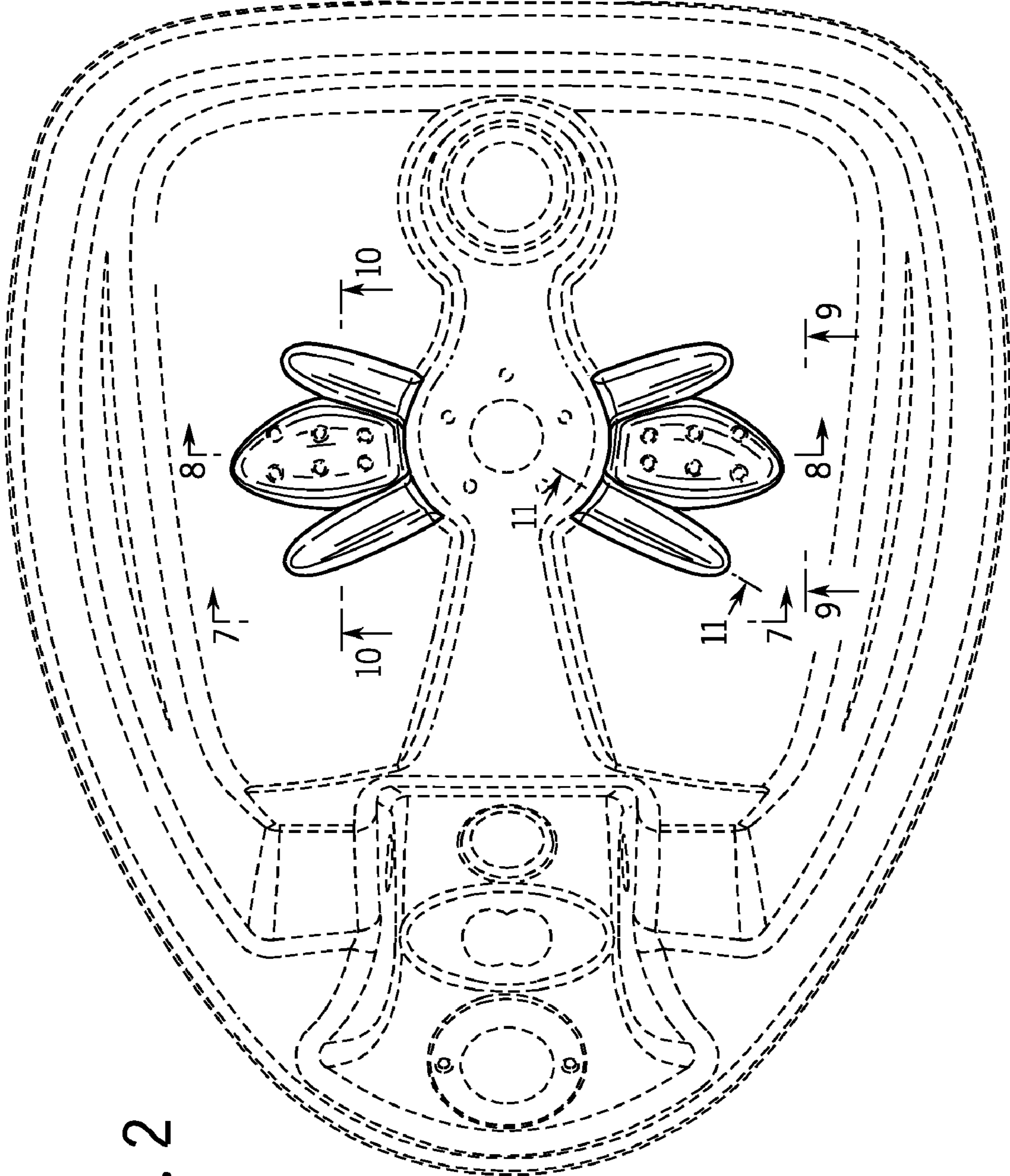


FIG. 2



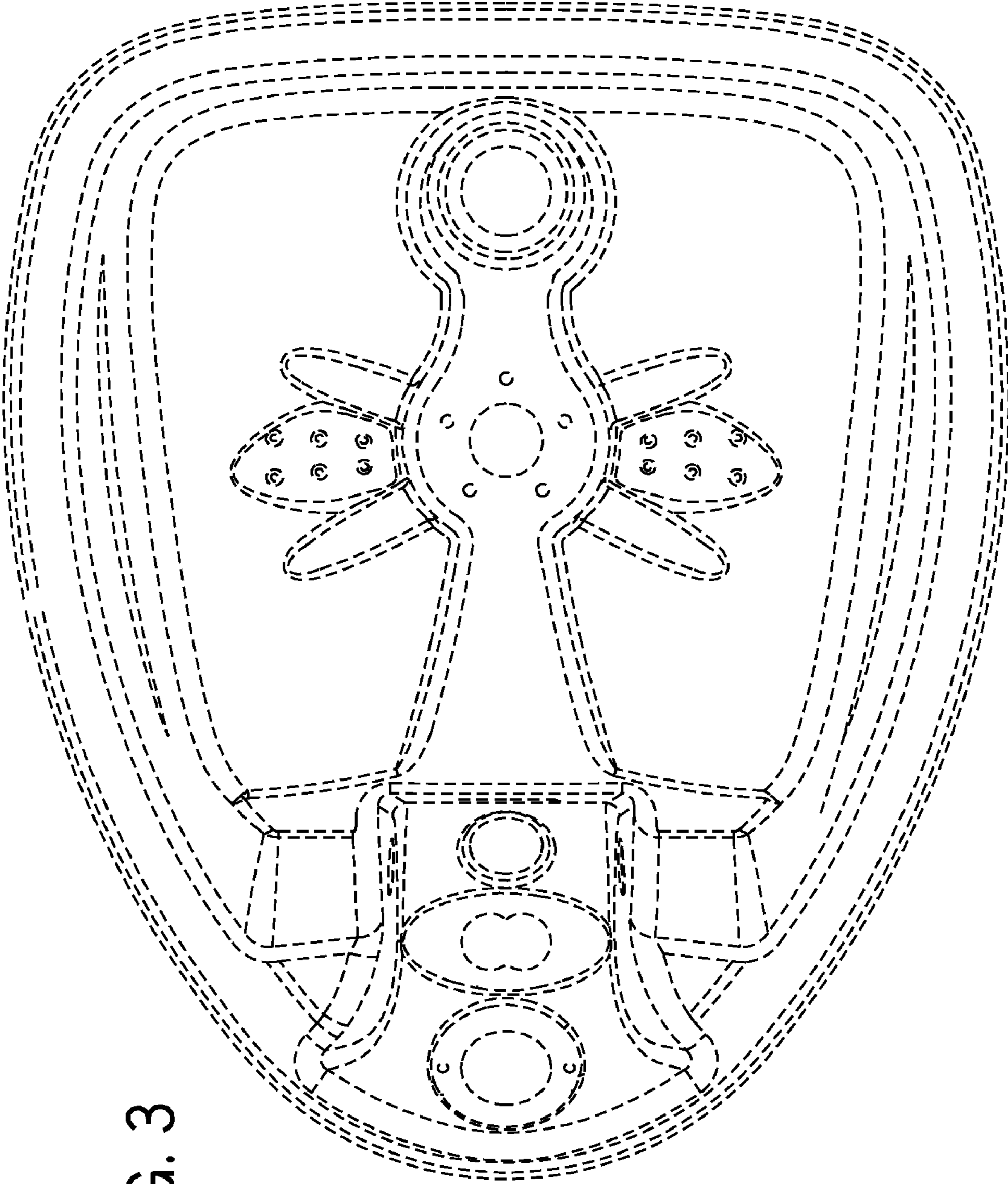


FIG. 3

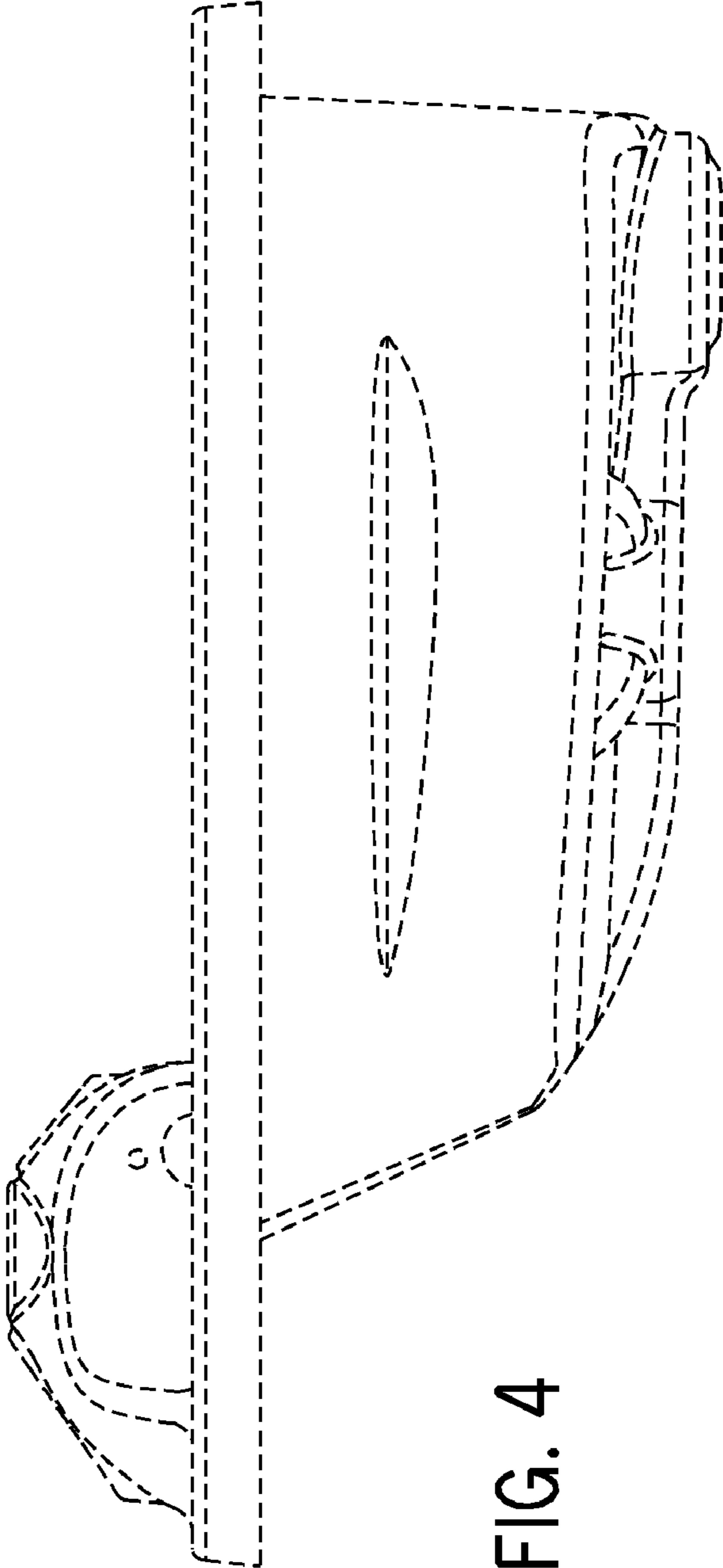


FIG. 4

FIG. 5

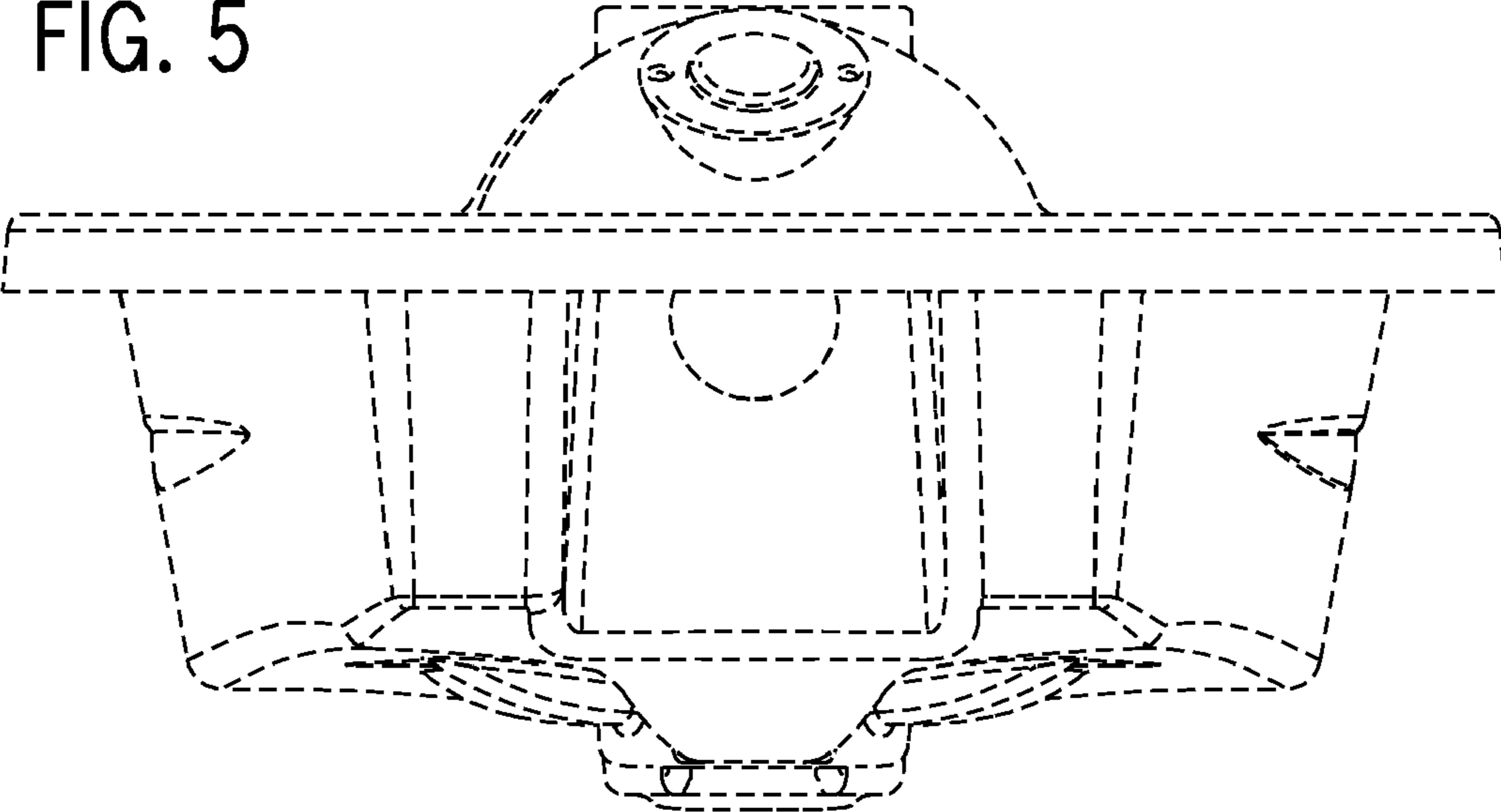
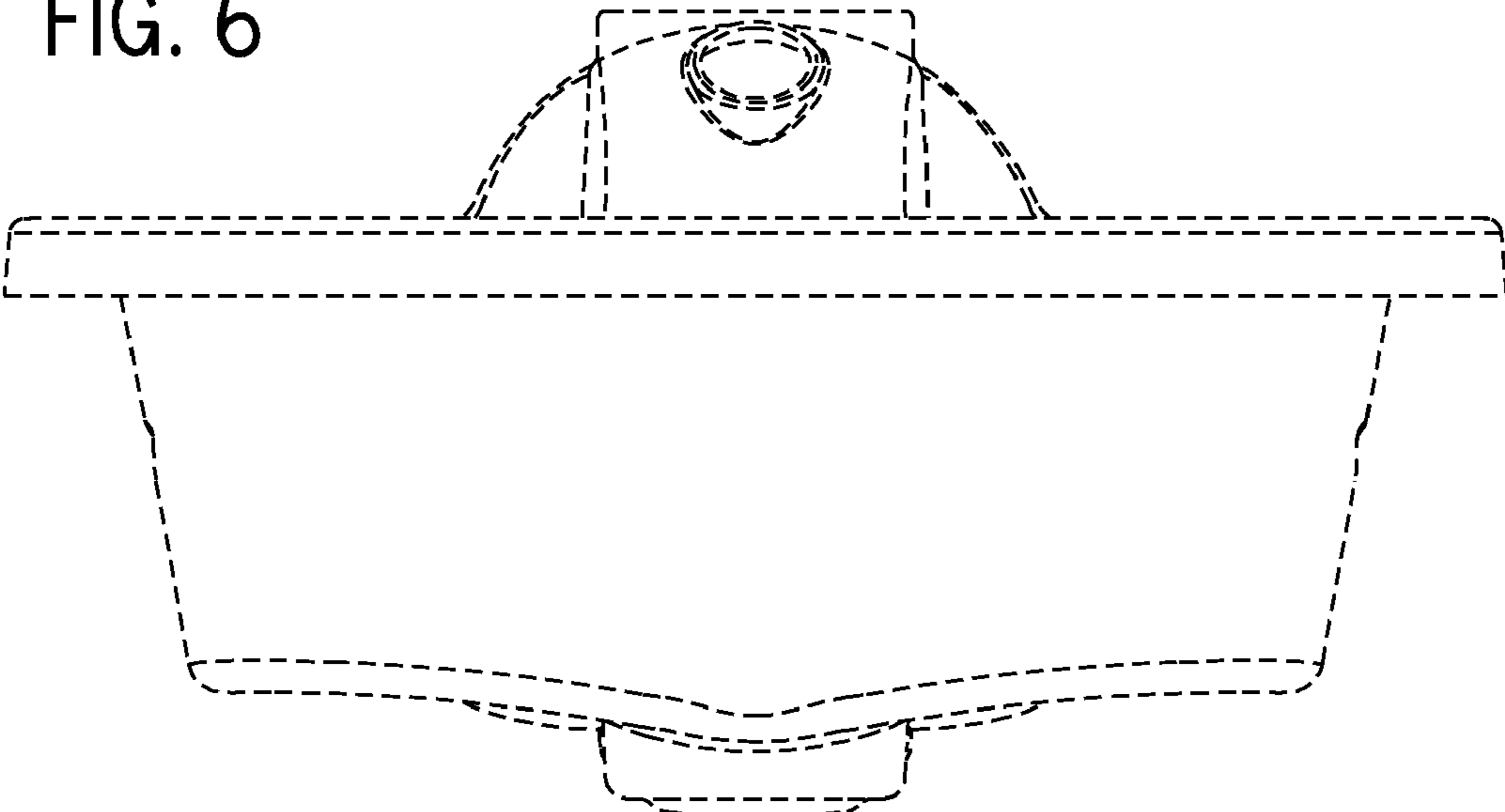


FIG. 6



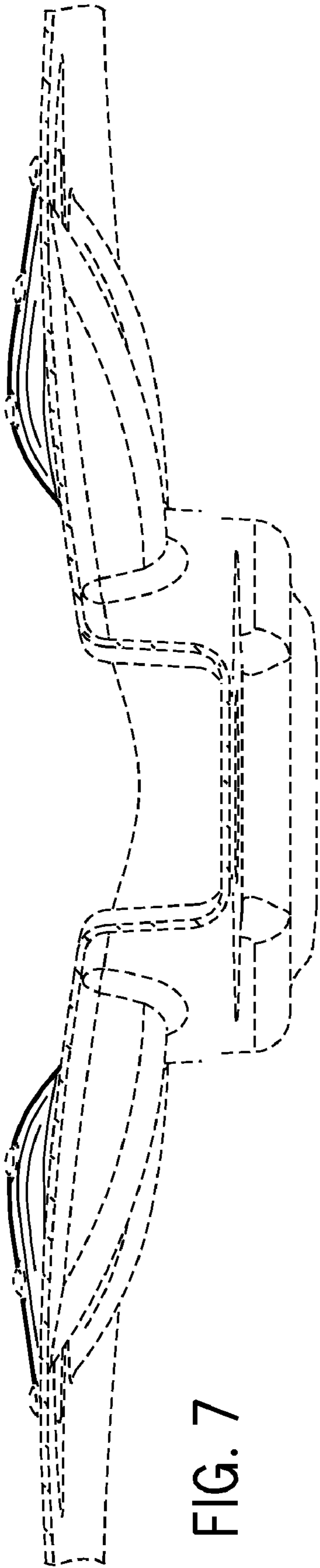


FIG. 7

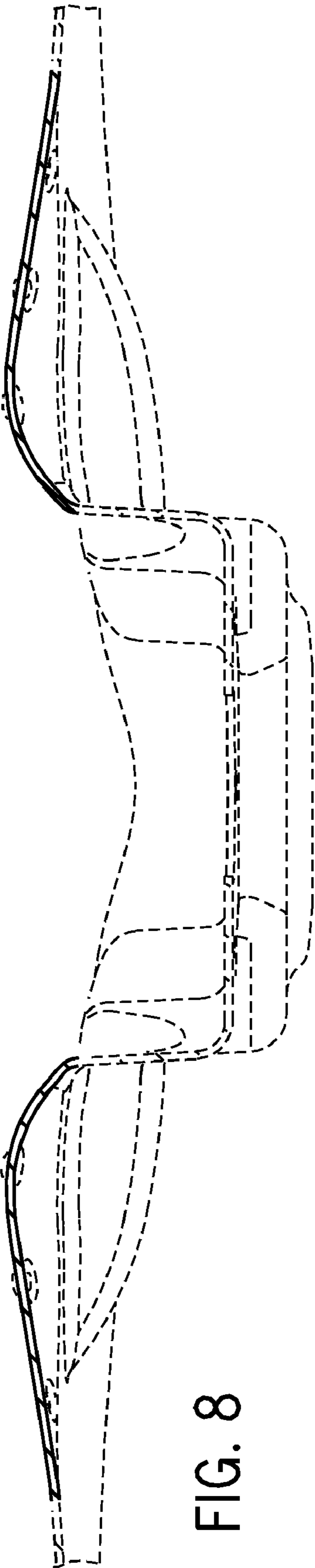


FIG. 8

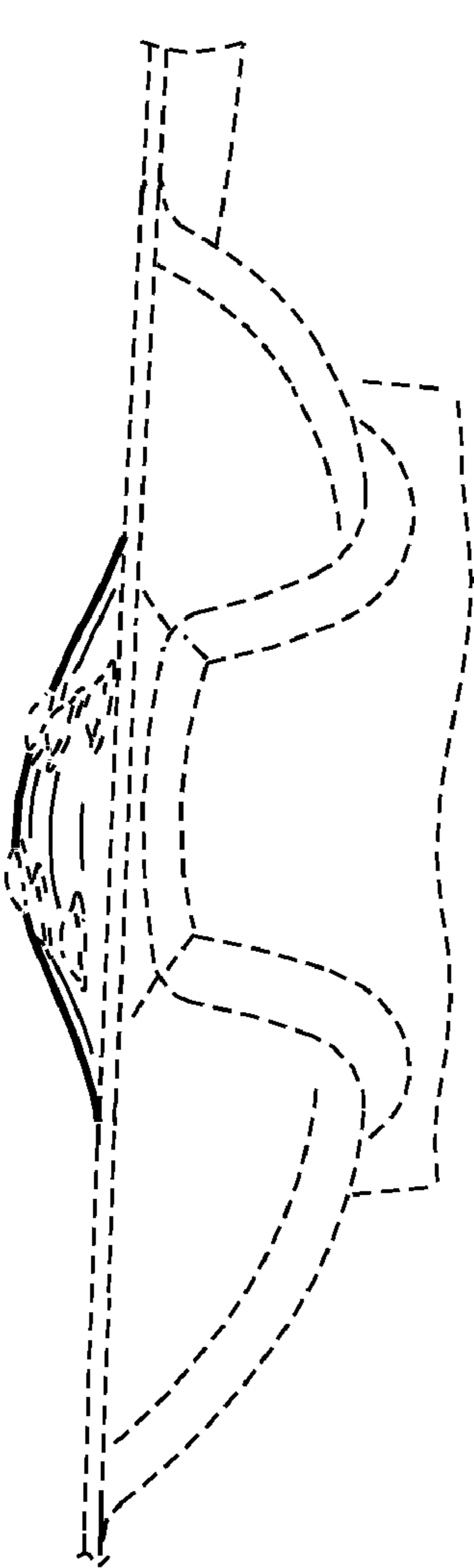


FIG. 9

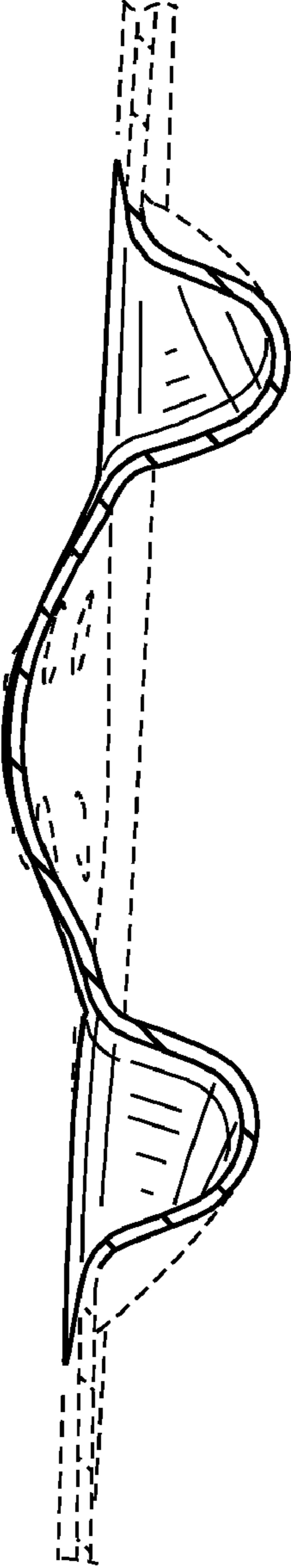


FIG. 10

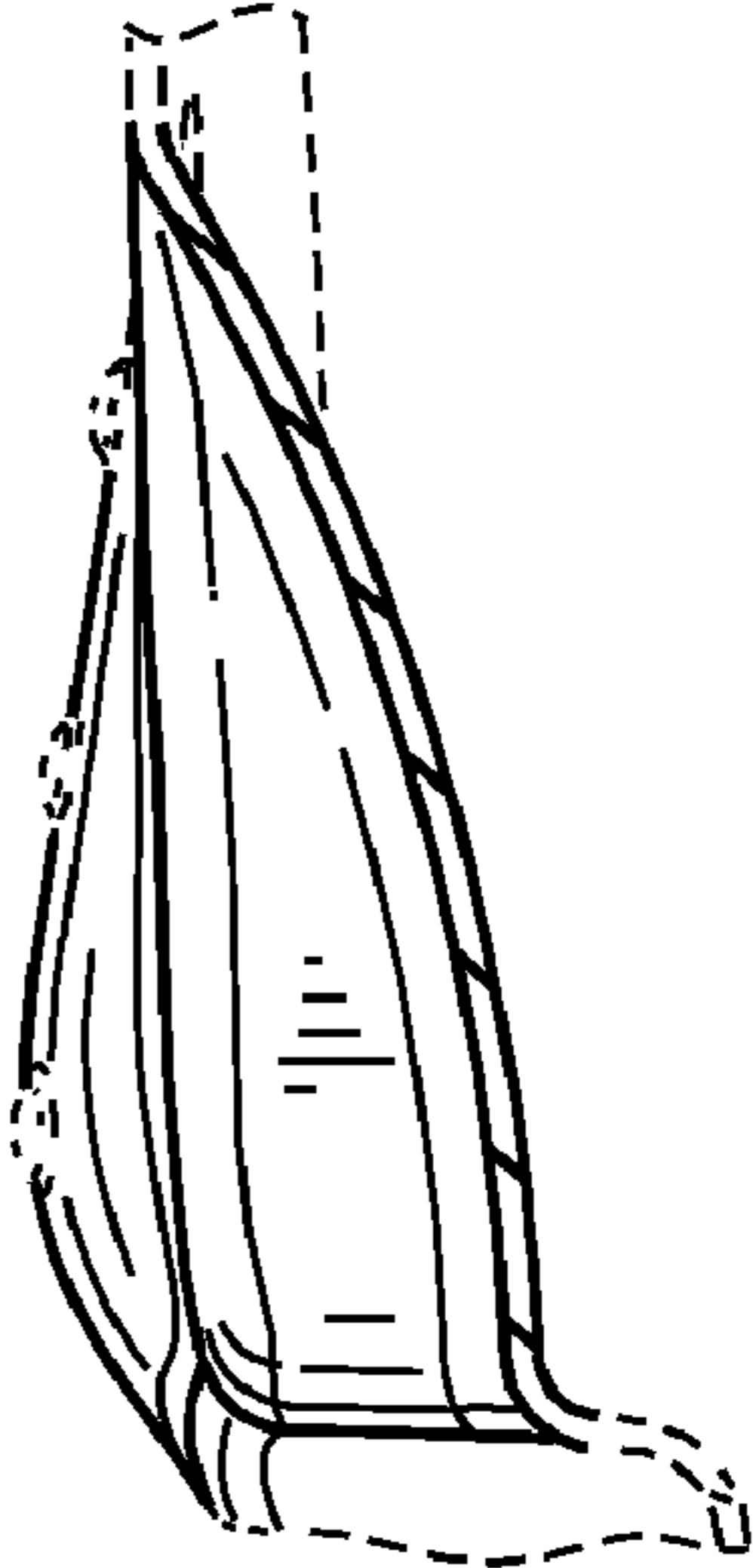


FIG. 11