



US00D601263S

(12) **United States Design Patent**
Larsen

(10) **Patent No.:** **US D601,263 S**
(45) **Date of Patent:** **** Sep. 29, 2009**

(54) **SPA SHELL**

(75) Inventor: **Christopher C. Larsen**, Vista, CA (US)

(73) Assignee: **Watkins Manufacturing Corporation**,
Vista, CA (US)

(**) Term: **14 Years**

(21) Appl. No.: **29/304,045**

(22) Filed: **Feb. 22, 2008**

(51) **LOC (9) Cl.** **24-02**

(52) **U.S. Cl.** **D24/204**

(58) **Field of Classification Search** D24/201,
D24/204, 205; D23/213, 277; 601/154–158;
4/541.1–541.6, 547, 578.1, 579
See application file for complete search history.

(56) **References Cited**

U.S. PATENT DOCUMENTS

D284,407 S *	6/1986	Doman	D24/205
D288,125 S	2/1987	Watkins		
D367,708 S	3/1996	Lawing et al.		
D368,530 S	4/1996	Lawing et al.		
D387,869 S	12/1997	Larsen		
D387,870 S	12/1997	Larsen		
D405,181 S	2/1999	Larsen		
D405,182 S	2/1999	Larsen		
D405,185 S	2/1999	Larsen		
D405,186 S	2/1999	Larsen		
D431,297 S	9/2000	Larsen et al.		
D436,178 S *	1/2001	Larsen et al.	D24/204
D445,904 S	7/2001	Larsen		
D446,309 S	8/2001	Bower		
D446,310 S	8/2001	Bower		
D446,862 S	8/2001	Larsen et al.		
6,324,707 B1	12/2001	Larsen et al.		

(Continued)

OTHER PUBLICATIONS

Sundance “Caprio” Spa, 2004, www.sundancespas.com.

(Continued)

Primary Examiner—Cathron C Brooks

Assistant Examiner—Melanie Levy

(74) *Attorney, Agent, or Firm*—Greenberg Traurig, LLP;
Franklin D. Ubell

(57) **CLAIM**

The ornamental design for a spa shell, as shown and described.

DESCRIPTION

FIG. 1 is a top plan view of a spa shell showing my new design;

FIG. 2 is a first perspective view of a spa shell showing my new design;

FIG. 3 is a second perspective view of a spa shell showing my new design;

FIG. 4 is a third perspective view of a spa shell showing my new design;

FIG. 5 is a fourth perspective view of a spa shell showing my new design;

FIG. 6 is a cross-sectional view taken along line 6—6 of FIG. 1;

FIG. 7 is a cross-sectional view taken along line 7—7 of FIG. 1;

FIG. 8 is a cross-sectional view taken along line 8—8 of FIG. 1; and

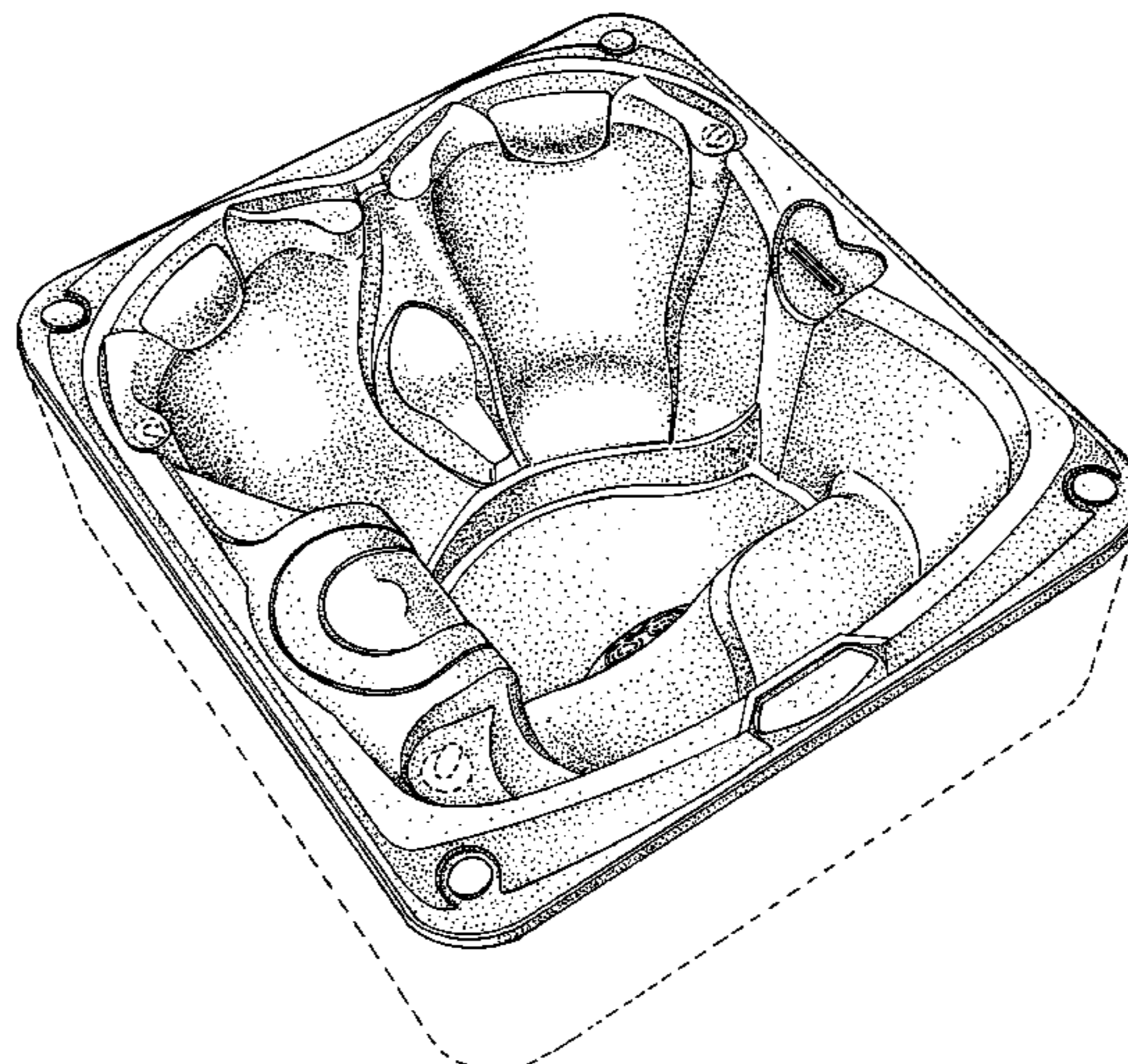
FIG. 9 is a cross-sectional view taken along line 9—9 of FIG. 1.

FIG. 10 is an enlarged view of the area labeled “FIG. 10” in FIG. 8; and,

FIG. 11 is an enlarged view of the area labeled “FIG. 11” in FIG. 9.

The broken lines shown in the drawings represent unclaimed structure of the spa shell and form no part thereof.

1 Claim, 11 Drawing Sheets



U.S. PATENT DOCUMENTS

D463,028 S 9/2002 Bower
 D463,569 S 9/2002 Bower
 D465,576 S 11/2002 Larsen
 D496,107 S 9/2004 Larsen
 D513,325 S * 12/2005 Loyd D24/204
 D517,697 S 3/2006 Larsen
 D518,181 S * 3/2006 Loyd D24/201
 D521,154 S * 5/2006 Loyd D24/204
 D527,828 S 9/2006 Larsen
 D529,182 S * 9/2006 Loyd D24/204
 D531,731 S 11/2006 Larsen
 D542,416 S 5/2007 Larsen
 D542,925 S 5/2007 Larsen
 D543,282 S 5/2007 Larsen
 D543,283 S 5/2007 Larsen
 D550,371 S 9/2007 Larsen
 D577,943 S 10/2008 Larsen

OTHER PUBLICATIONS

Hot Spring "Prodigy" Spas, 2003, 2001, 2004.
 Hot Spring "Jetsetter" Spa, 2003.
 Hot Spring "Landmark" Spa, 2000.
 Hot Spring "Landmark" Spa, 2001.
 Hot Spring "Vanguard" Spa, 2004.

Hot Spring "Siberian" Spa, 1992, 1995, 1996, 1997.
 Caldera "Olympia" Spa, 2004.
 CalSpas "Fiesta Atlantic" Spa, 2003.
 CalSpas "Pacifica" Spa, 2004.
 Coleman Spas Brochure, 2004.
 Coleman Spas "Horizon, Spectrum and California Cooperage Series" Specification, 2004.
 Sunrise Spas "Zodiac" and Poseidon, 2004, www.sunrisespas.com.
 Hot Spring "Sovereign" 2001, 2002, 2003.
 Hot Spring "Envoy" Spa, 2004.
 Hot Spring "Vista" Spa, 2004.
 Hot Spring "Bengal" Spa, 1992, 1997, 1998, 2001, 2002, 2004.
 Caldera "Martinique, Niagara, Olympia, Palomar, Tahitian" Spas, 2004.
 Caldera "Geneva" Spa, 2004, www.calderaspas.com.
 Sundance "Altamar" Spa, 2004, www.sundancespas.com.
 Sundance "Marin" Spa, 2004, www.sundancespas.com.
 Sundance "Cameo" Spa, 2004, www.sundancespas.com.
 Cal Spas "Pacifica" Spa, 2004, www.calspas.com.
 Premier Spas Flyer, 1999.
 System Spas Flyer, 2000.
 Cal Spas "Atlantic" Spa, 2004, www.calspas.com.
 Cal Spas "Genesis Pacifica", "Fiesta Belair", "Fiesta Atlantic" Spa Flyer, 2003.
 System Spa Models Flyer, 2004.

* cited by examiner

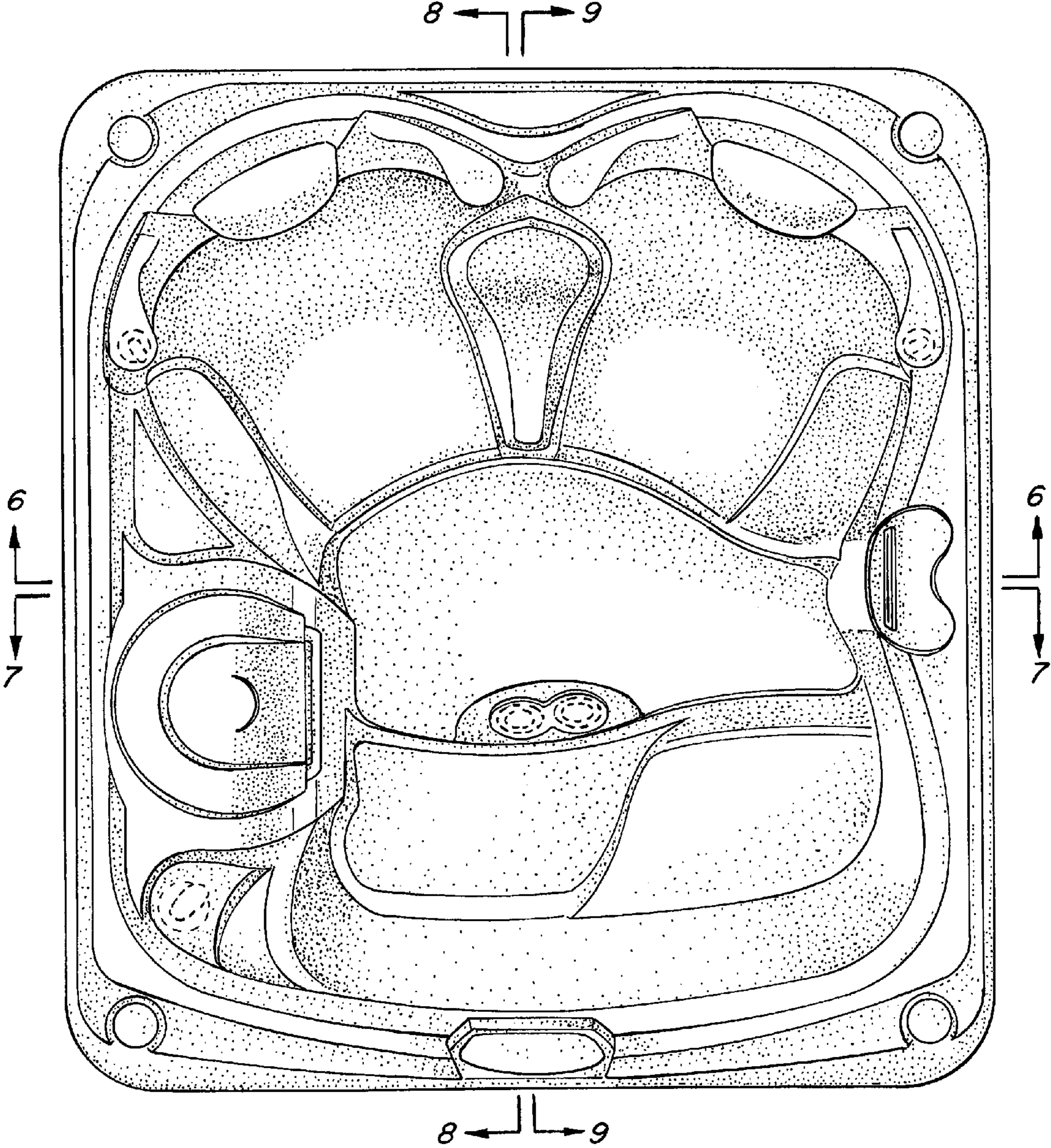


FIG. 1

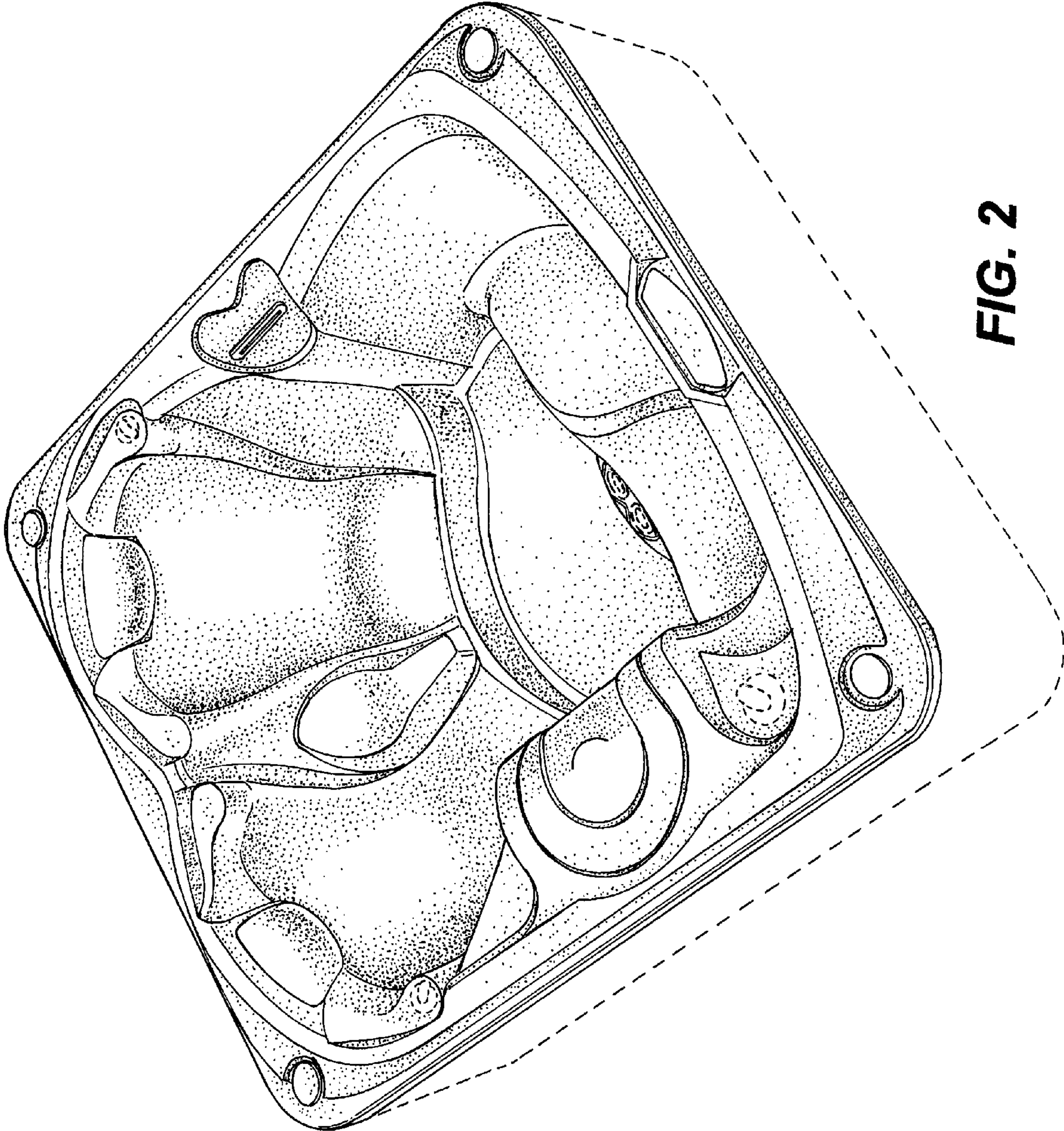


FIG. 2

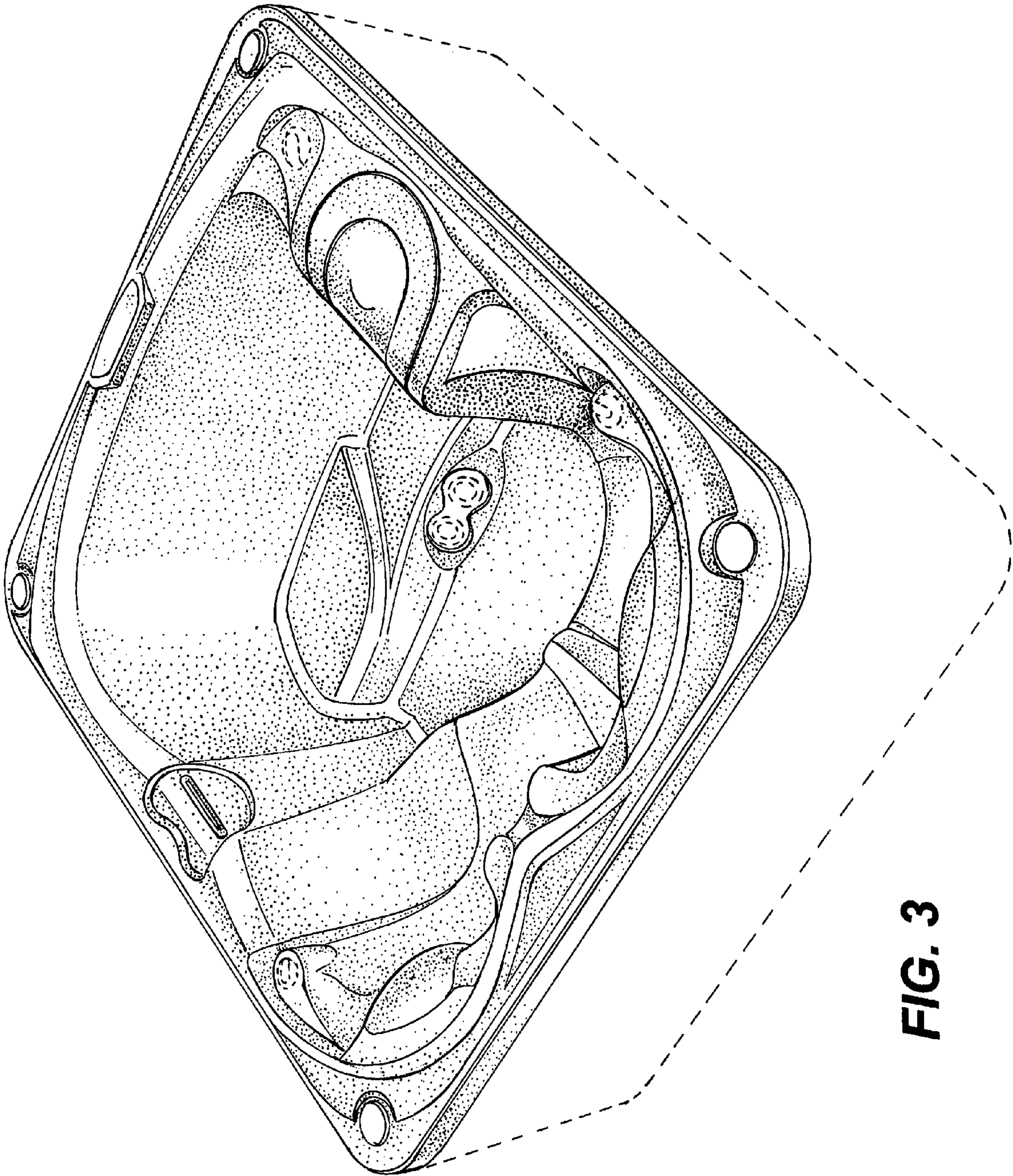


FIG. 3

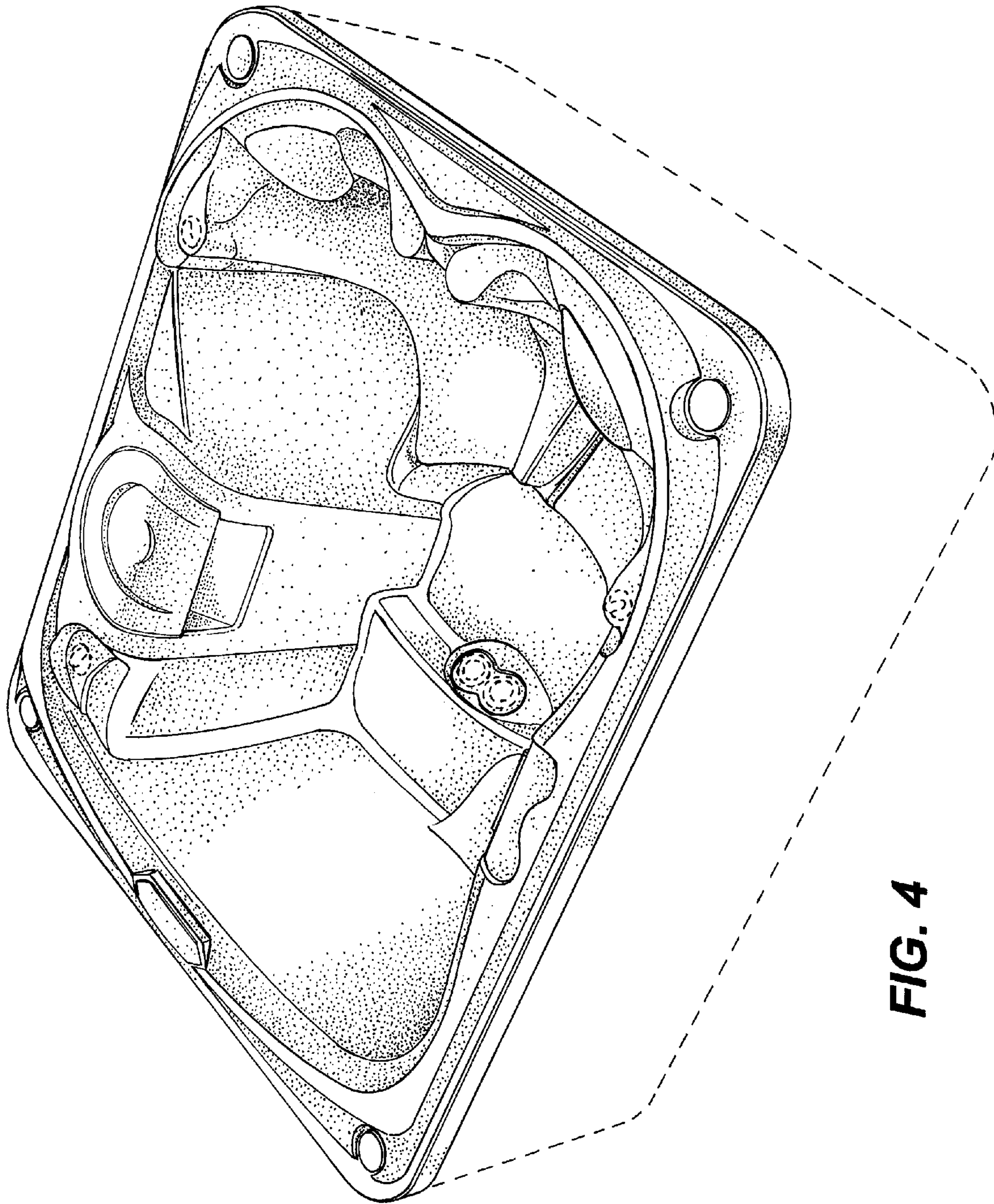


FIG. 4

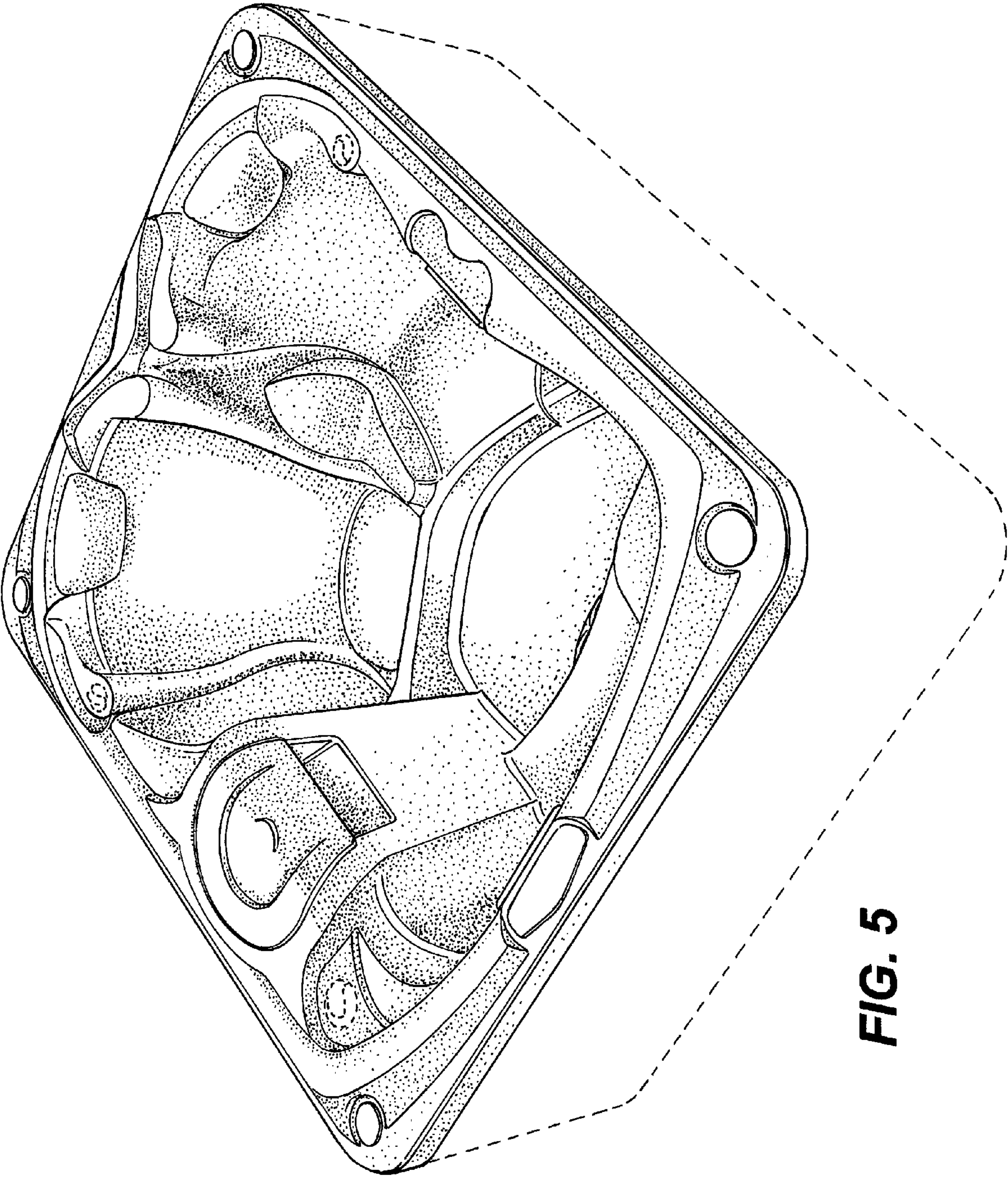


FIG. 5

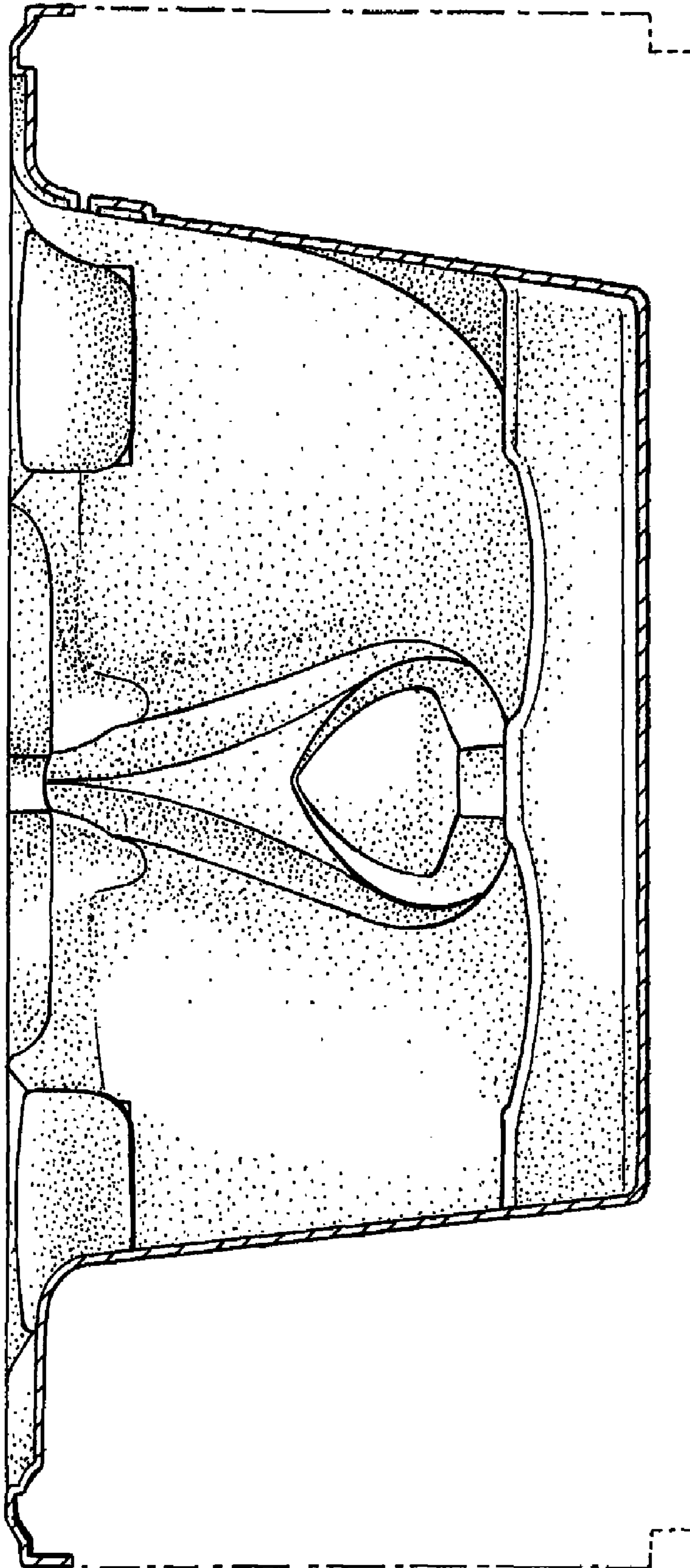


FIG. 6

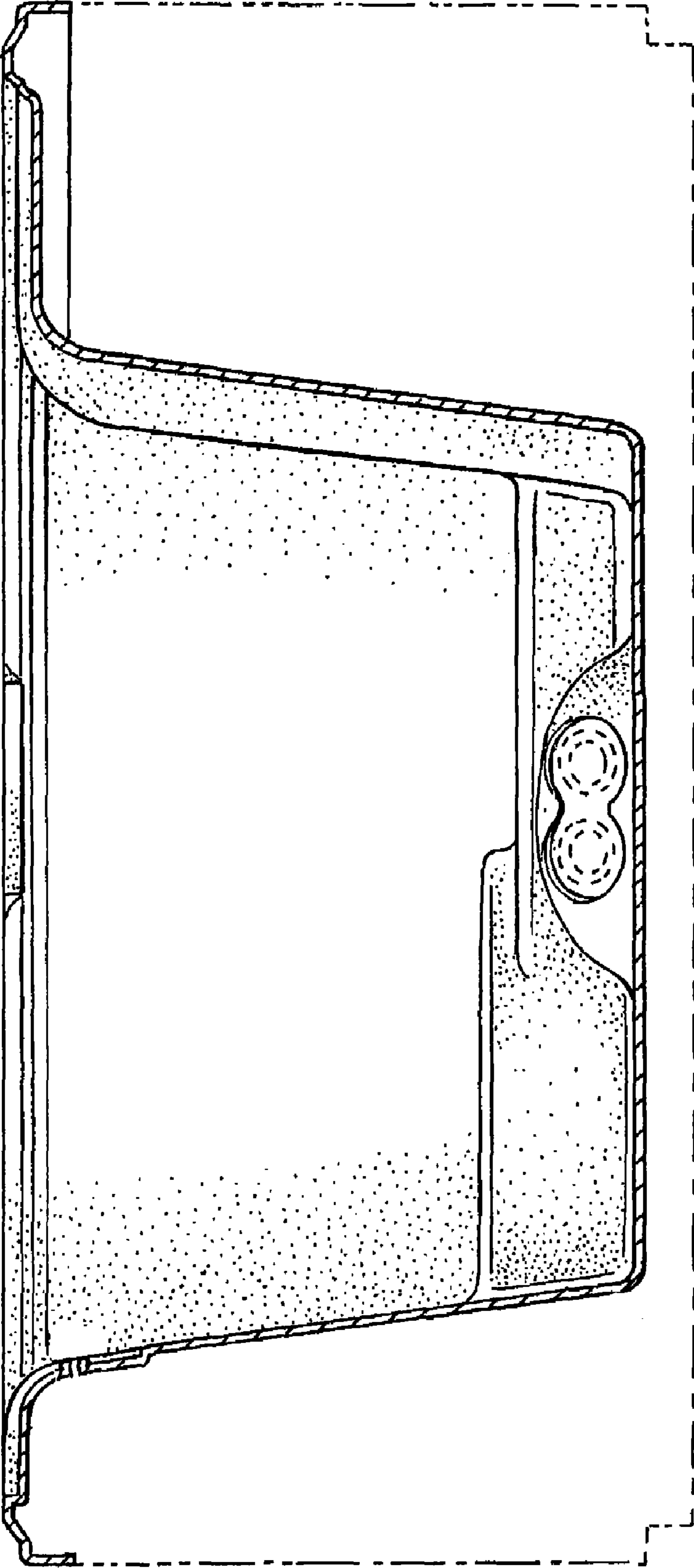


FIG. 7

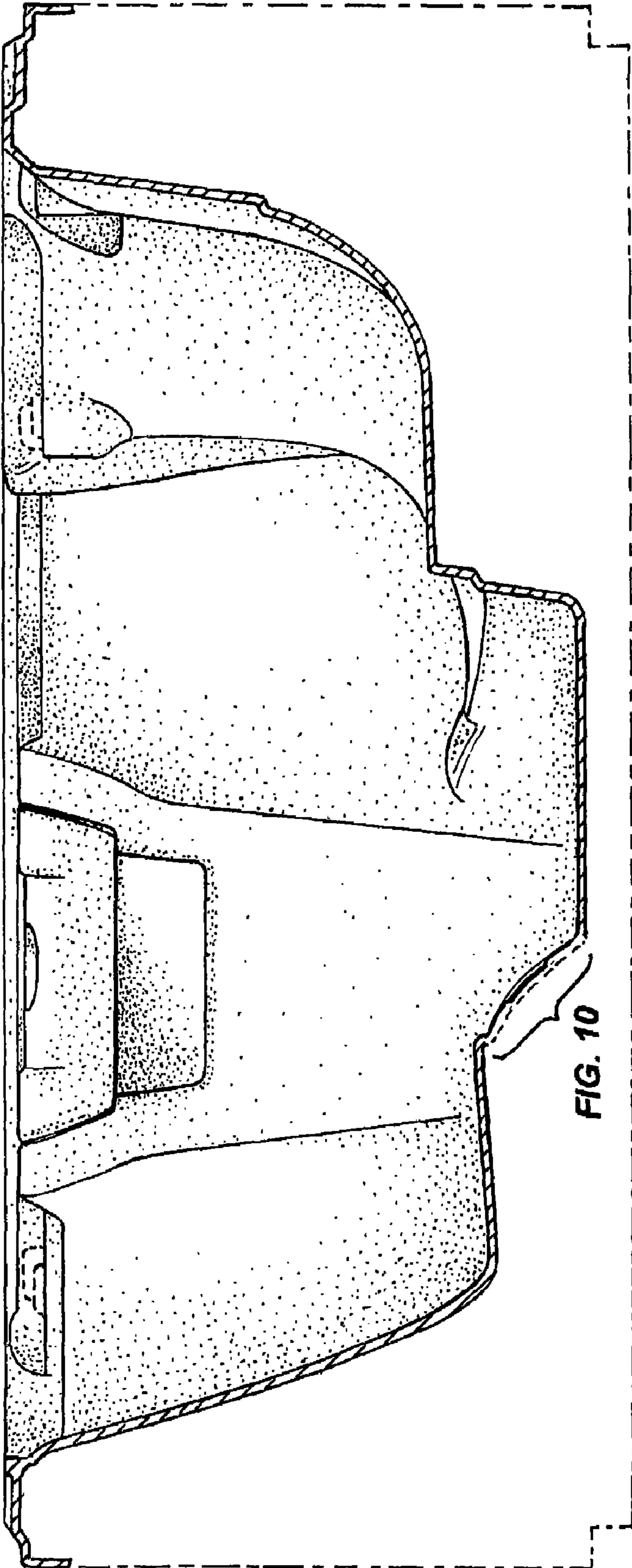


FIG. 8

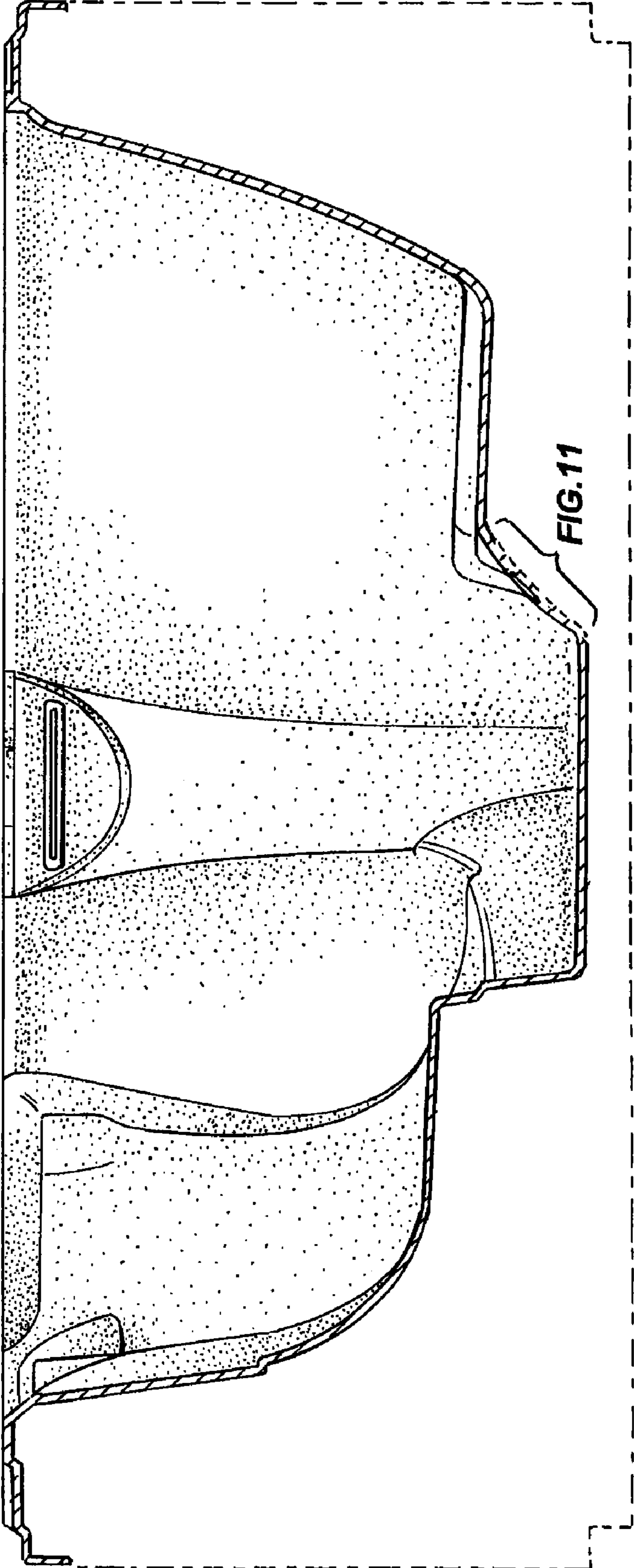


FIG. 9

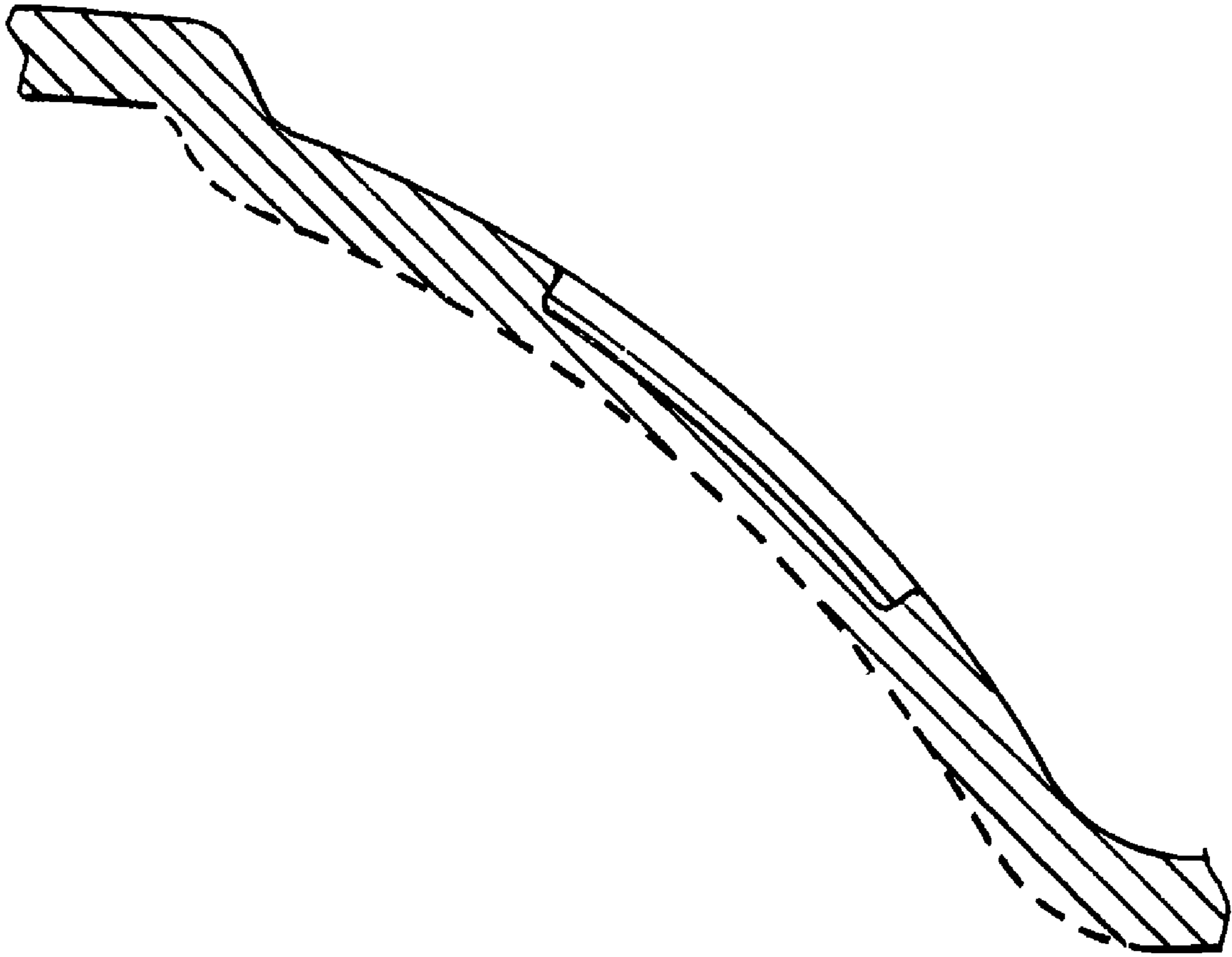


FIG. 10

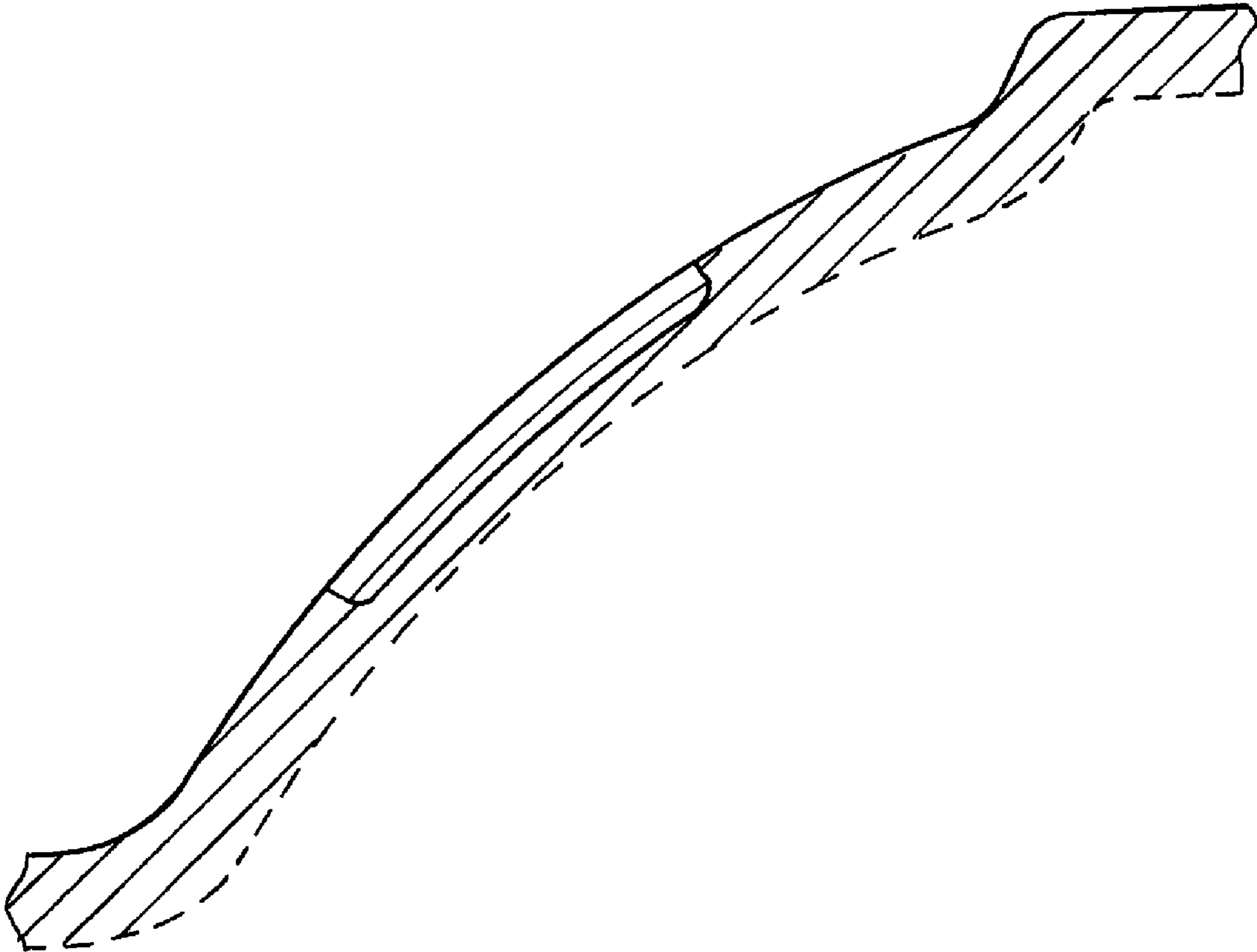


FIG. 11