



US00D601261S

(12) **United States Design Patent**
Levan

(10) **Patent No.:** **US D601,261 S**
(45) **Date of Patent:** **** Sep. 29, 2009**

(54) **HEADREST FOR SURGERY**

- (75) Inventor: **Pierre T. Levan**, Oak Brook, IL (US)
- (73) Assignee: **Loyola University Chicago**, Maywood, IL (US)
- (**) Term: **14 Years**
- (21) Appl. No.: **29/329,000**
- (22) Filed: **Dec. 5, 2008**
- (51) **LOC (9) Cl.** **24-01**
- (52) **U.S. Cl.** **D24/184; D6/501; D6/601**
- (58) **Field of Classification Search** D24/183-184; D6/502, 595, 596, 601; 128/845, 869; 5/636-640, 5/644
See application file for complete search history.

U.S. PATENT DOCUMENTS

- 3,369,548 A * 2/1968 Moore 5/637
- D212,085 S * 8/1968 Fulkerson et al. D6/502

(Continued)

Primary Examiner—T. Chase Nelson
Assistant Examiner—Mark Cavanna
 (74) *Attorney, Agent, or Firm*—Hartman & Hartman, P.; Gary M. Hartman; Domenica N. S. Hartman

(57) **CLAIM**

The ornamental design for the headrest for surgery, as shown in the accompanying figures.

DESCRIPTION

FIG. 1 is a right side isometric view of a headrest for surgery showing my new design, wherein a patient's head is shown in broken line in a supine position.

FIG. 2 is a left side isometric view of the headrest for surgery of FIG. 1, wherein a patient's head is shown in broken line in a prone position.

FIG. 3 is a top plan view of the headrest for surgery of FIG. 1.

FIG. 4 is a right side elevation view of the headrest for surgery of FIG. 1.

FIG. 5 is a left side elevation view of the headrest for surgery of FIG. 1.

FIG. 6 is a right end elevation view of the headrest for surgery of FIG. 1.

FIG. 7 is a left end elevation view of the headrest for surgery of FIG. 1.

FIG. 8 is a vertical section isometric view taken along the center of the headrest for surgery of FIG. 1.

FIG. 9 is a right side isometric view of the headrest for surgery of FIG. 1 with the removable section removed; and,

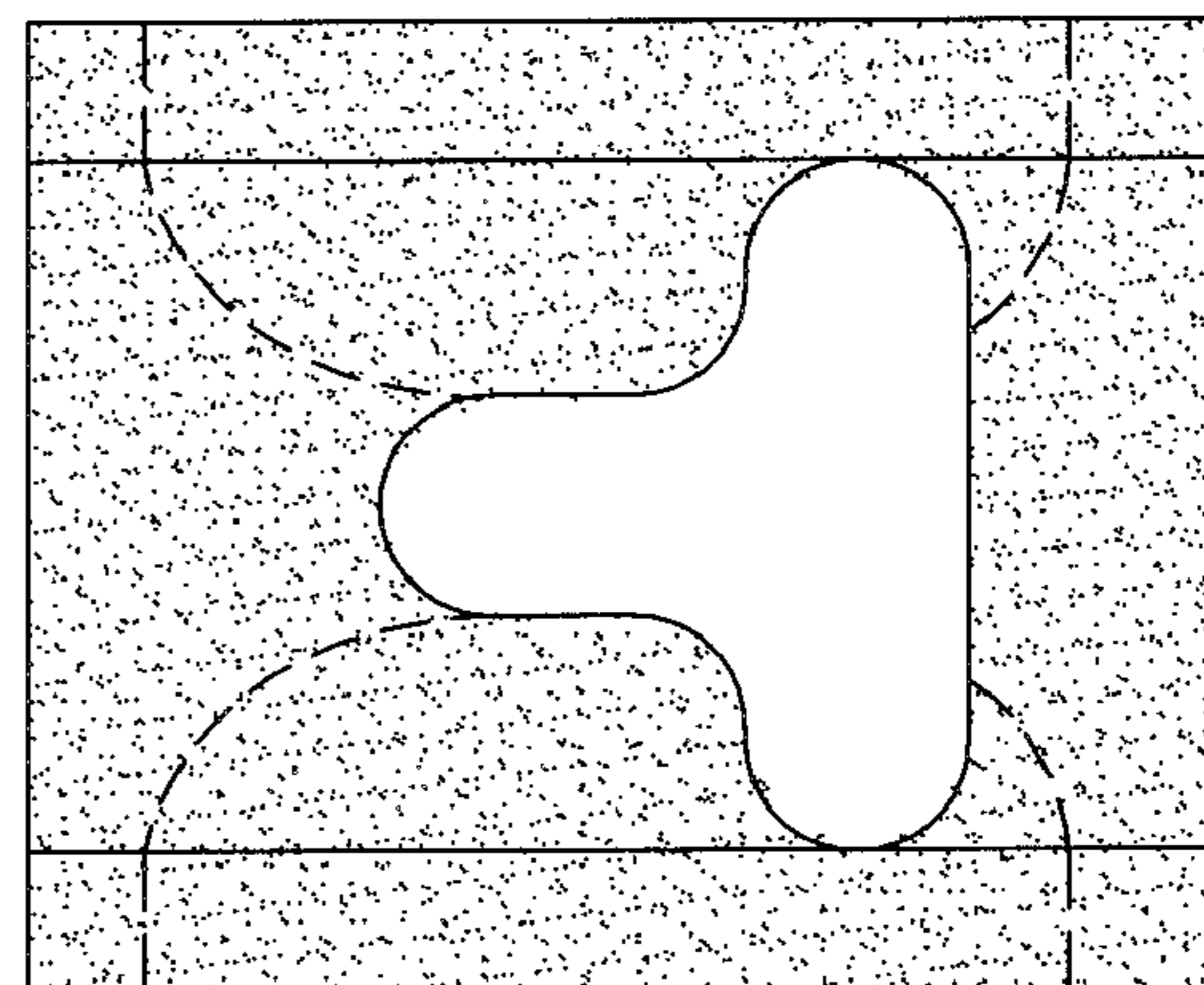
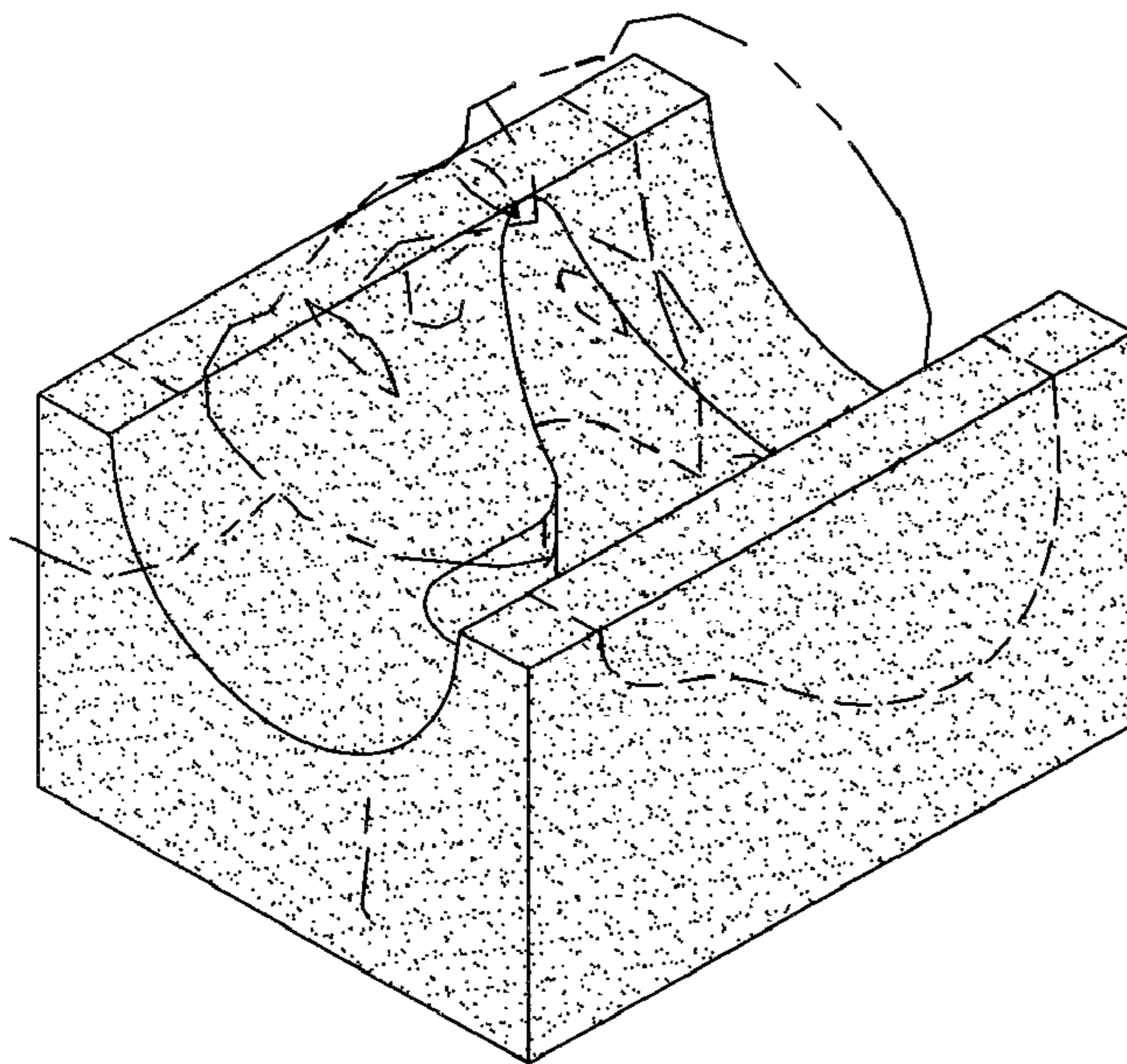
FIG. 10 is a left side isometric view of the headrest for surgery of FIG. 1 with the removable section removed.

The bottom of the headrest for surgery is flat and devoid of surface ornamentation, and therefore not shown.

The broken line showing of a patient's head, seen in FIGS. 1, 2, 9 and 10 are for the purpose of illustrating environment only and form no part of the claimed design.

The broken line showing of the perforations along the removable sections are included for the purpose of illustrating a removable perforated section and form part of the claimed design.

1 Claim, 2 Drawing Sheets



US D601,261 S

Page 2

U.S. PATENT DOCUMENTS

D218,818 S *	9/1970	Yavner	D6/502	5,613,501 A *	3/1997	Michelson	5/644
3,694,831 A *	10/1972	Treace	5/636	5,682,632 A *	11/1997	Cotroneo	5/636
D258,557 S *	3/1981	Herr	D6/601	5,768,725 A *	6/1998	Brenn	128/869
4,259,757 A *	4/1981	Watson	5/637	D414,974 S *	10/1999	Marrone et al.	D6/601
D263,190 S *	3/1982	Herr	D6/502	5,960,494 A *	10/1999	Gilliland et al.	5/644
D271,834 S *	12/1983	Huntsinger	D6/601	6,151,734 A *	11/2000	Lawrie	5/640
D285,512 S *	9/1986	Bool	D6/596	D456,516 S *	4/2002	Cheshaek et al.	D24/183
4,752,064 A *	6/1988	Voss	5/638	6,427,272 B1 *	8/2002	Yacoub	5/638
D298,992 S *	12/1988	Voss	D6/601	6,561,194 B2 *	5/2003	Michelson	128/845
D318,923 S *	8/1991	Marsh	D24/183	6,842,924 B1 *	1/2005	Walters	5/637
D337,914 S *	8/1993	McDonald	D6/595	D522,300 S *	6/2006	Roberts	D6/601
5,269,035 A *	12/1993	Hartunian	5/639	D552,244 S *	10/2007	Tinsley	D24/183
					7,516,504 B2 *	4/2009	Guez	5/636

* cited by examiner

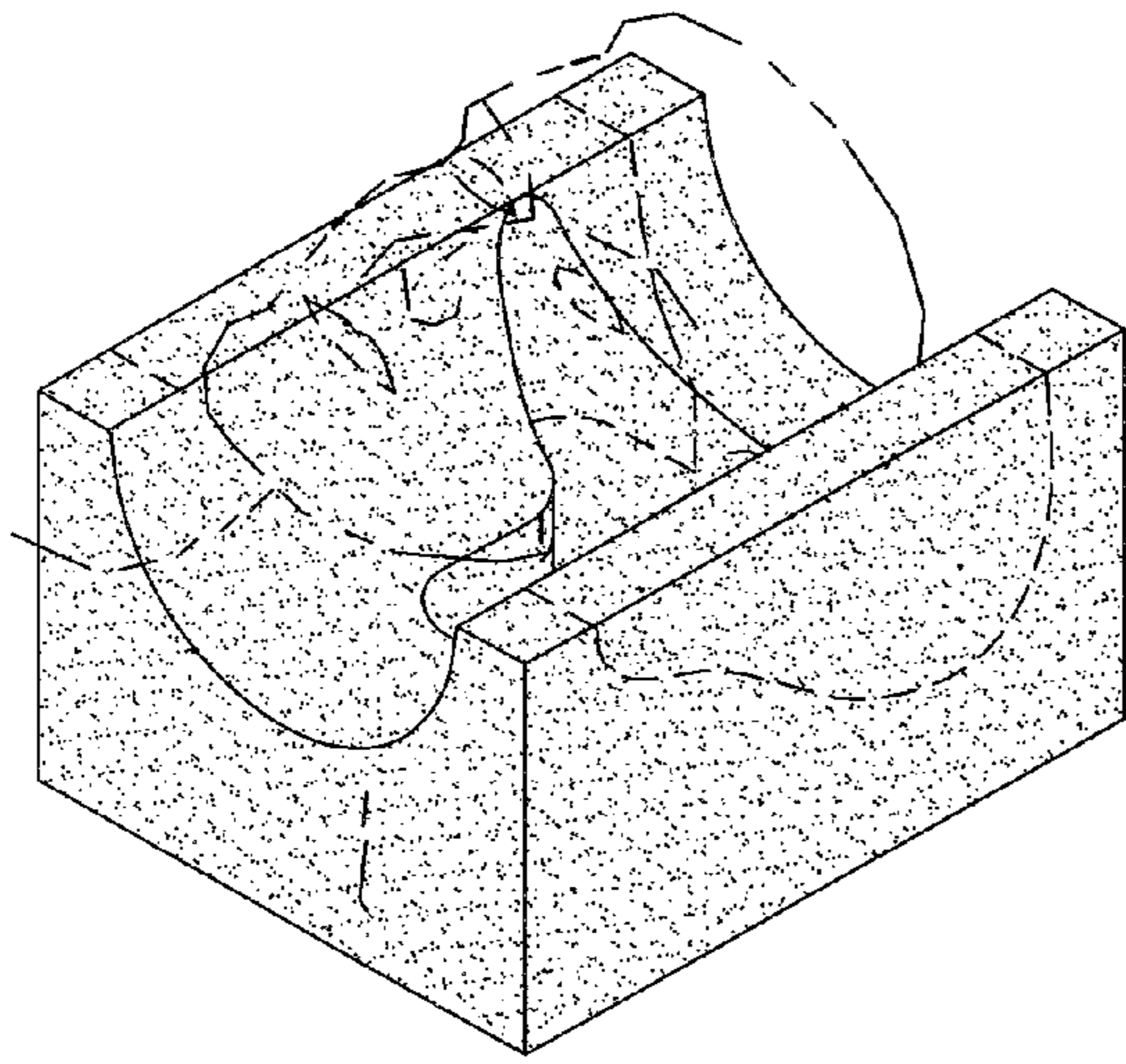


FIG. 1

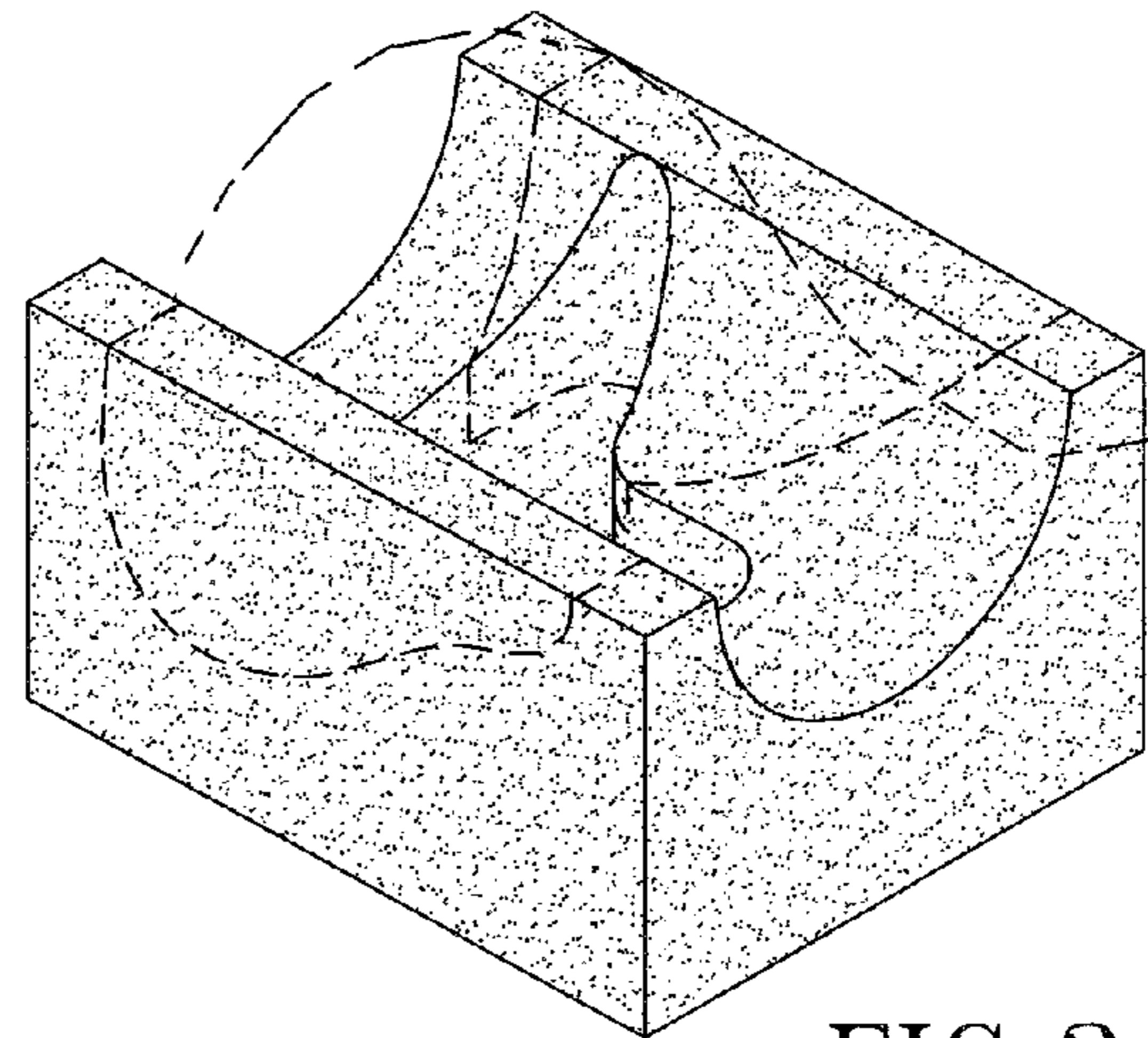


FIG. 2

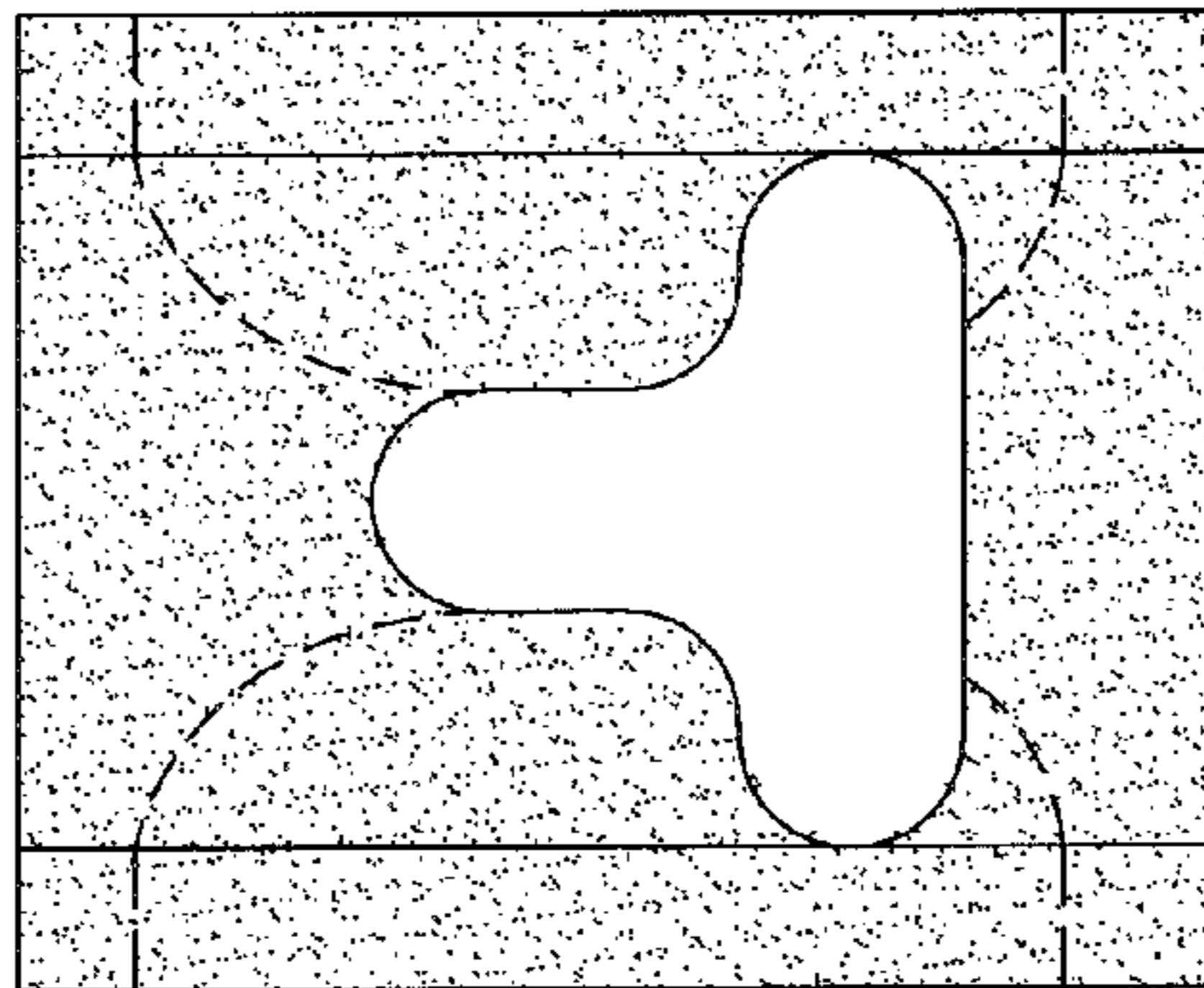


FIG. 3

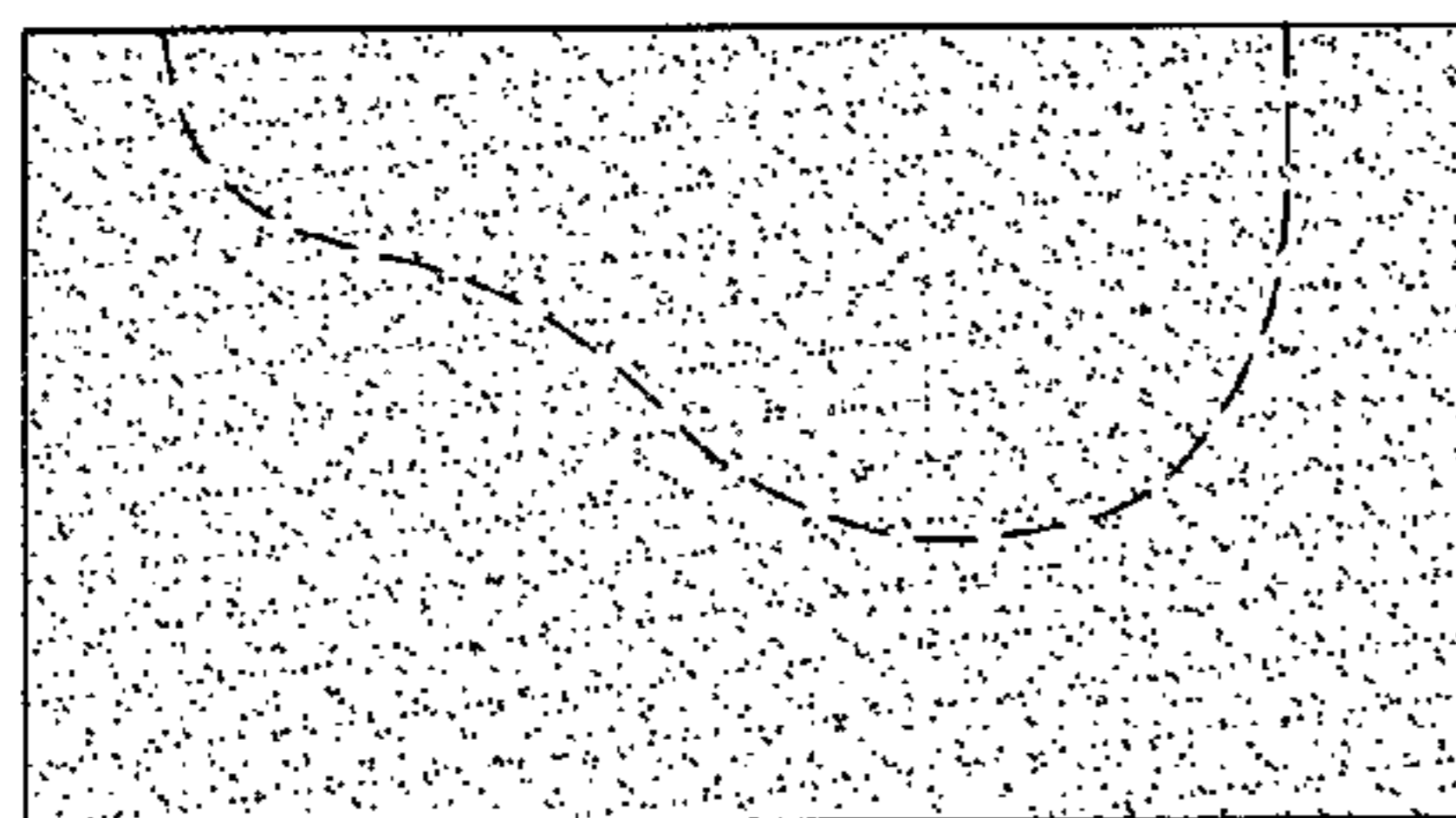


FIG. 4

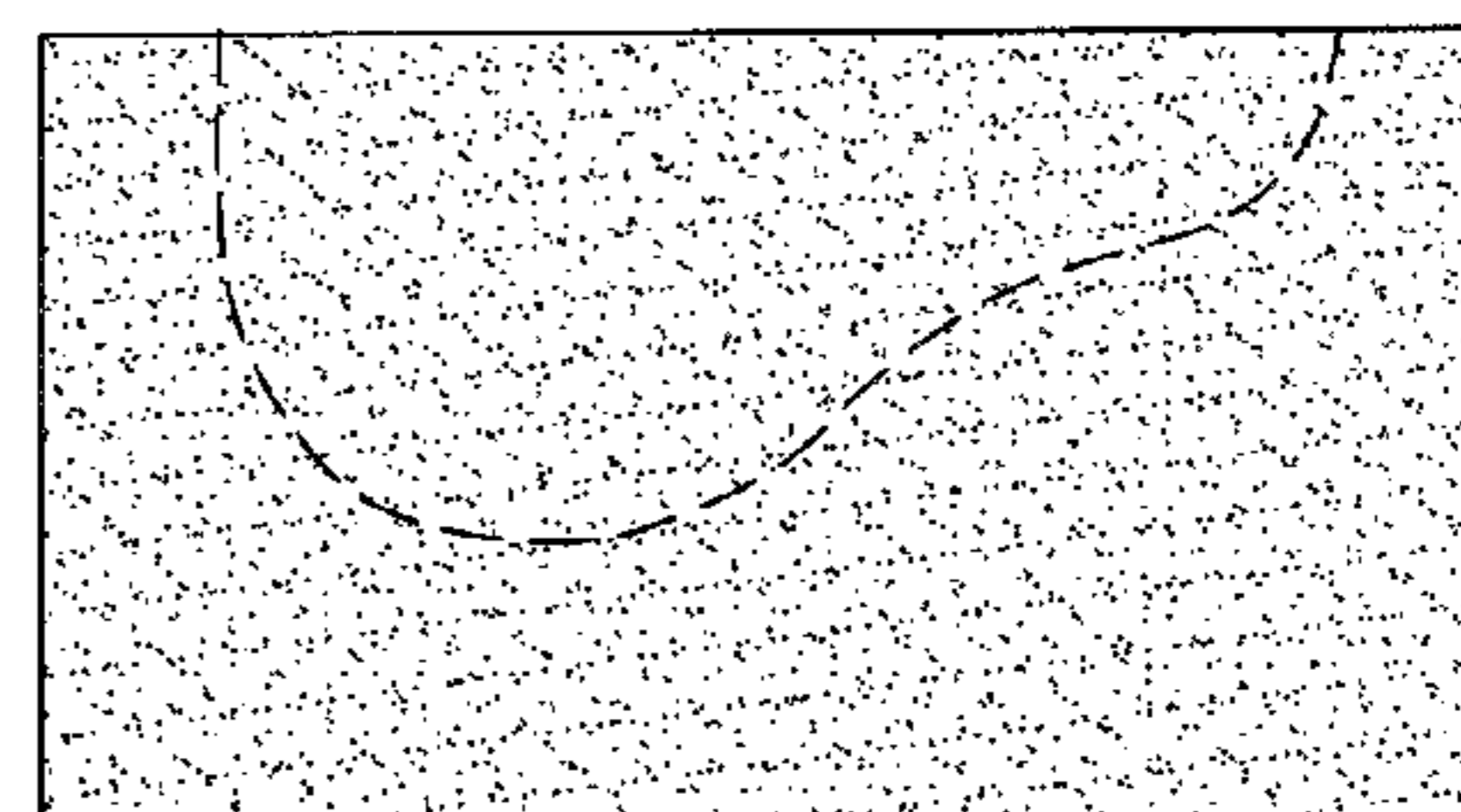


FIG. 5

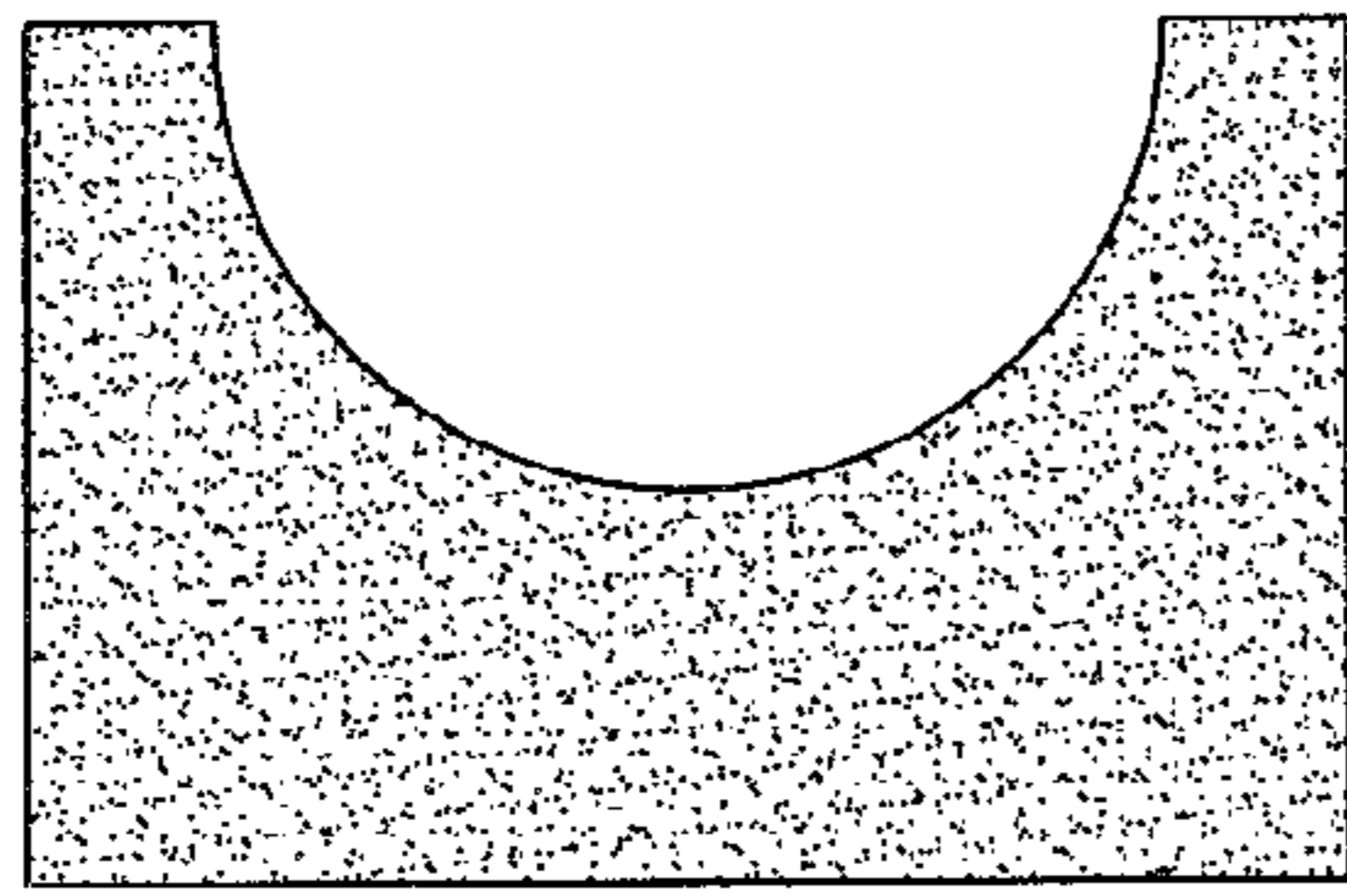


FIG. 6

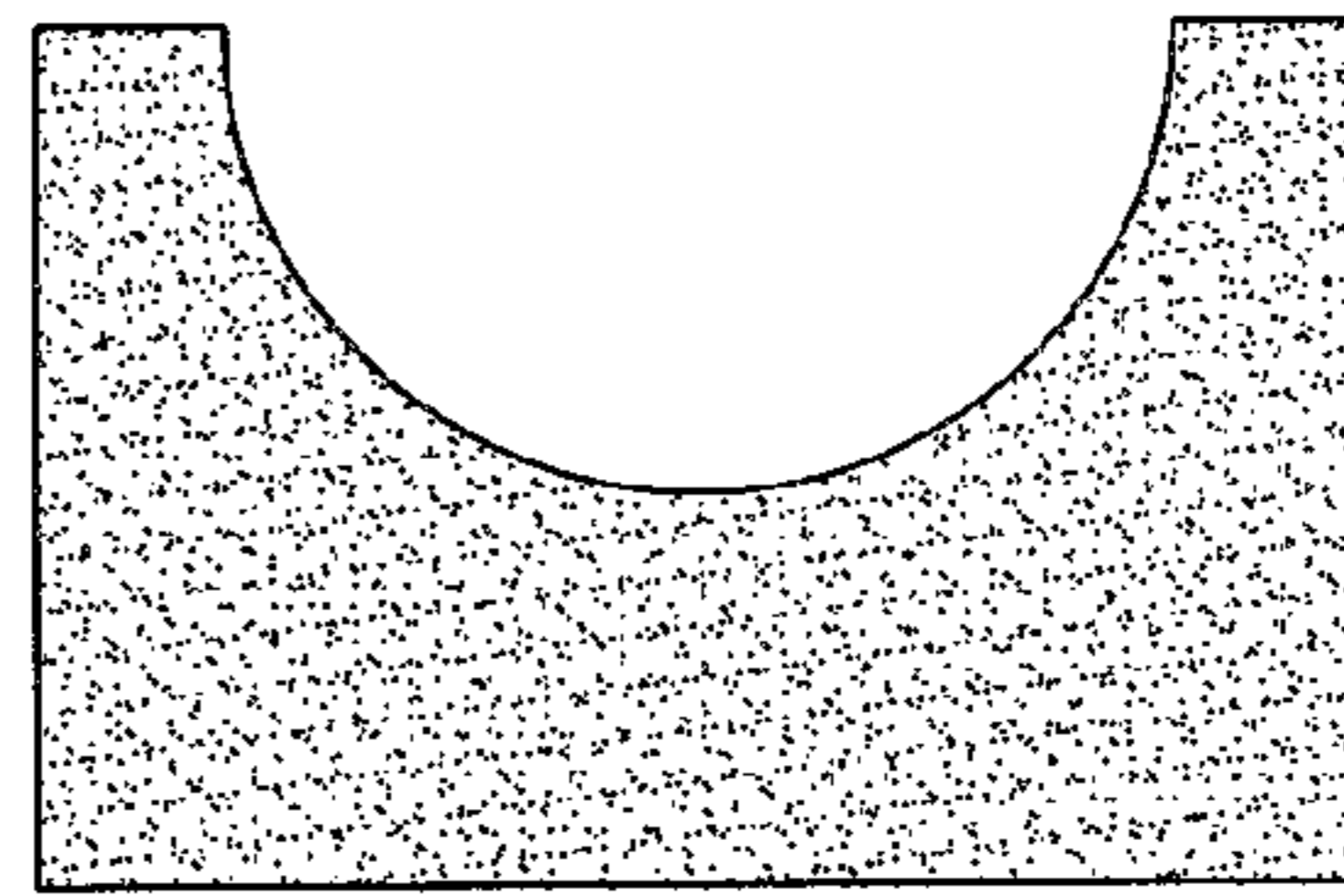


FIG. 7

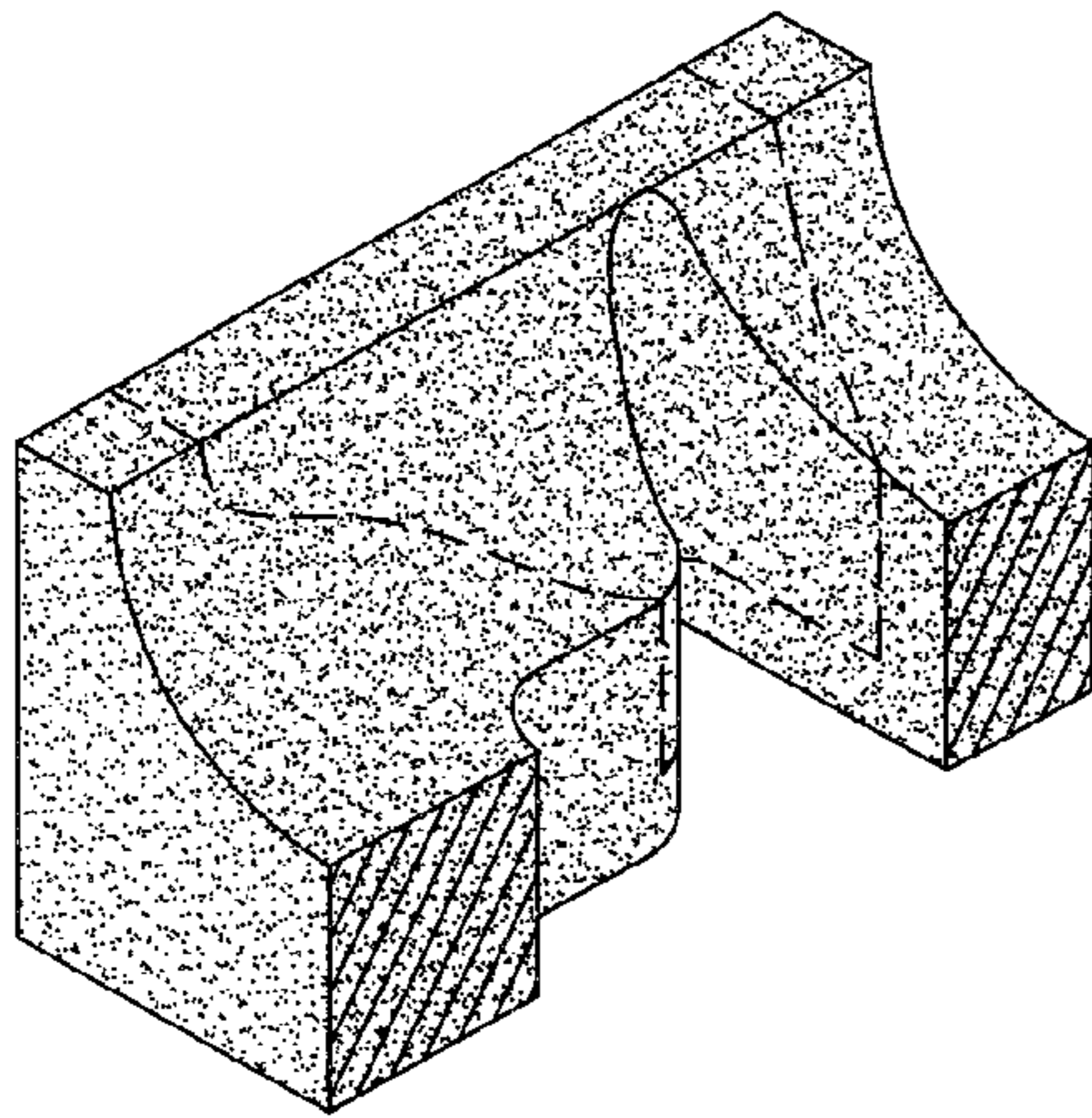


FIG. 8

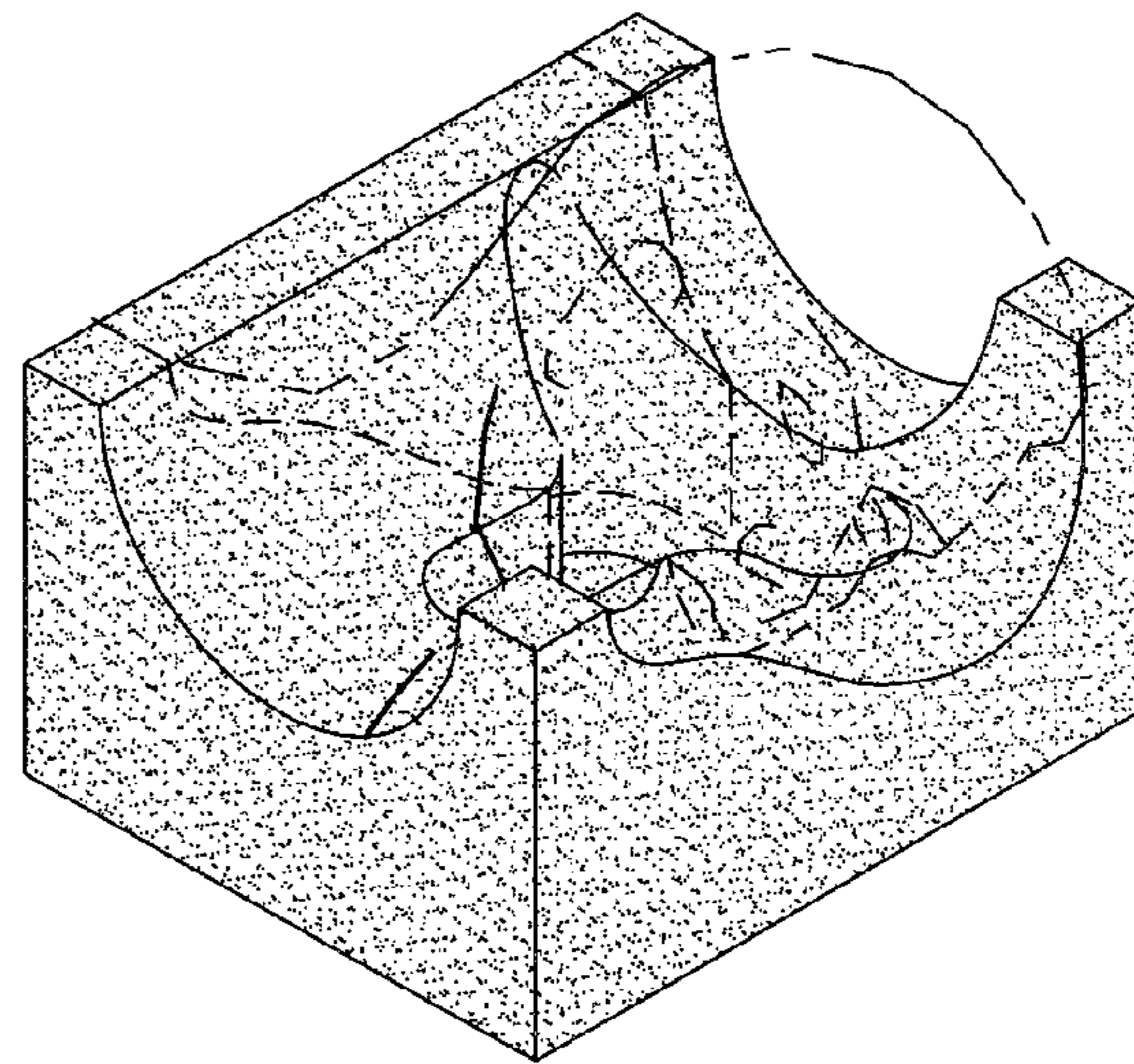


FIG. 9

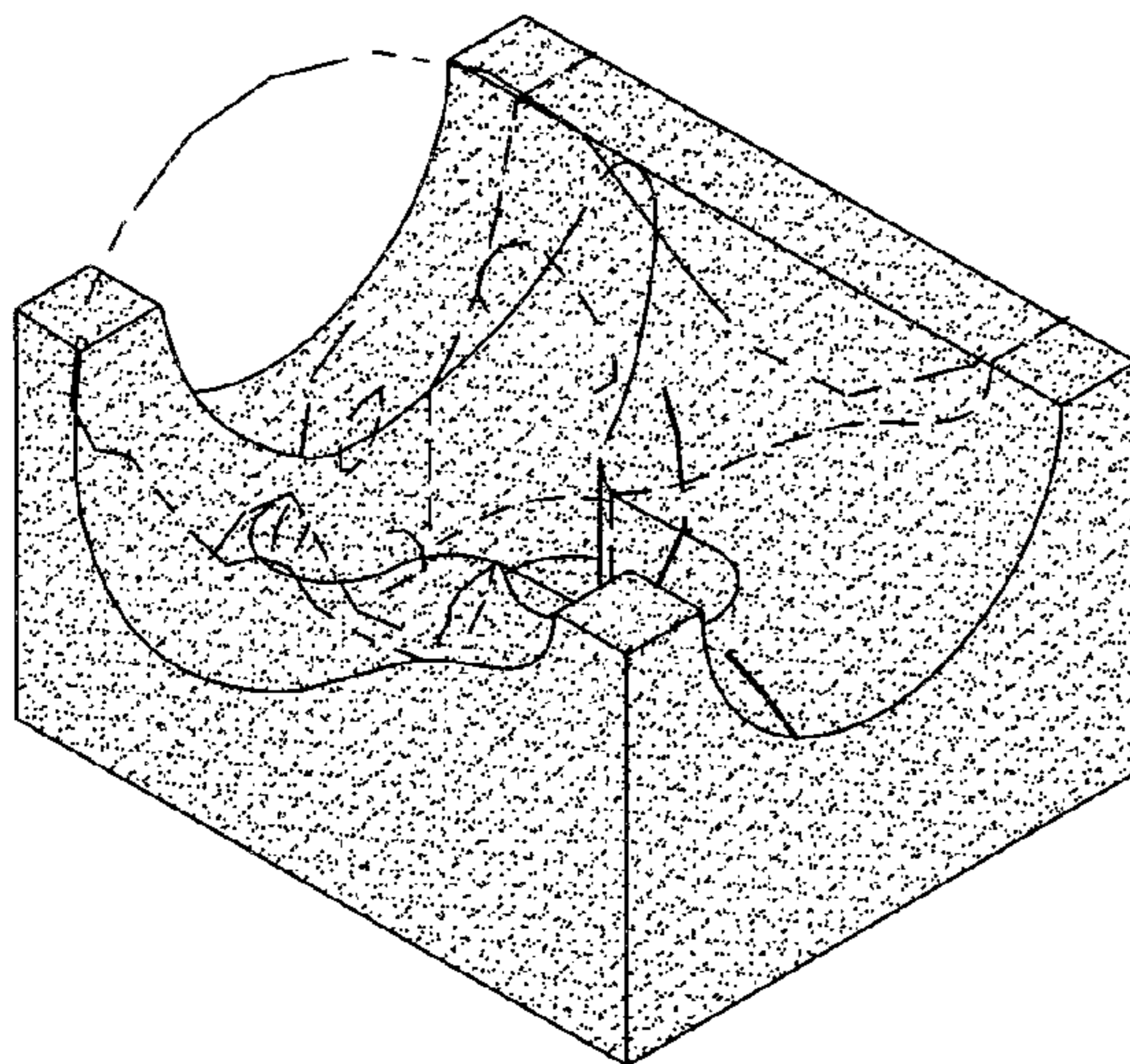


FIG. 10