



US00D601258S

(12) **United States Design Patent**
Bell et al.

(10) **Patent No.:** **US D601,258 S**
(45) **Date of Patent:** **** Sep. 29, 2009**

(54) **ANALYTE TEST METER DOCKING STATION**

(75) Inventors: **Michael Bell**, Morgan Hill, CA (US);
Kirk Harmon, San Ramon, CA (US);
Barry Weber, Livermore, CA (US);
Steve Neuenfeldt, Pleasanton, CA (US);
Peter Templeton, Muir of Ord (GB);
Paul Hausman, San Ramon, CA (US);
Ken Ewing, Fremont, CA (US);
Roberto Pozzan, Vanzago (IT); **Thomas Rangi Sutton**, Milan (IT); **Yossef Schvetz**, Milan (IT); **Fabio Sergio**, Varese (IT)

(73) Assignee: **LifeScan, Inc.**, Milpitas, CA (US)

(**) Term: **14 Years**

(21) Appl. No.: **29/321,913**

(22) Filed: **Jul. 25, 2008**

(51) **LOC (9) Cl.** **24-01**

(52) **U.S. Cl.** **D24/169**

(58) **Field of Classification Search** D24/107,
D24/158, 165-169, 186, 232; D10/70, 78,
D10/81, 98, 104; D14/149, 151, 168, 253,
D14/341, 371, 374-375; 600/309, 316, 322,
600/365, 368; 422/56-58, 61, 68.1, 102,
422/104; 435/16; 436/168-169, 183; 455/404.1;
379/428.4, 441, 446, 454-455

See application file for complete search history.

(56) **References Cited**

U.S. PATENT DOCUMENTS

D275,482 S * 9/1984 Coons et al. D14/253

D277,662 S * 2/1985 Huntington et al. D13/107
D320,991 S * 10/1991 Nagai et al. D14/251
D363,284 S * 10/1995 Solomita D14/149
D388,434 S * 12/1997 Lepack D14/149
D389,159 S * 1/1998 Patterson et al. D14/253
D441,713 S * 5/2001 Gartrell D13/108
D452,564 S * 12/2001 Micinski et al. D24/169
D462,771 S * 9/2002 Weber D24/169
D466,516 S * 12/2002 Peiker D14/447
D474,737 S * 5/2003 Yoshida D13/108
D538,433 S * 3/2007 Lorimer et al. D24/169
D541,741 S * 5/2007 Yosef et al. D13/110

* cited by examiner

Primary Examiner—Philip S Hyder
Assistant Examiner—Susan E Krakower

(57) **CLAIM**

We claim the ornamental design for an analyte test meter docking station, as shown and described.

DESCRIPTION

FIG. 1 is a top, front and right side perspective view of an analyte test meter docking station;

FIG. 2 is a top, rear and left side perspective view thereof;

FIG. 3 is a rear elevational view thereof;

FIG. 4 is a front elevational view thereof;

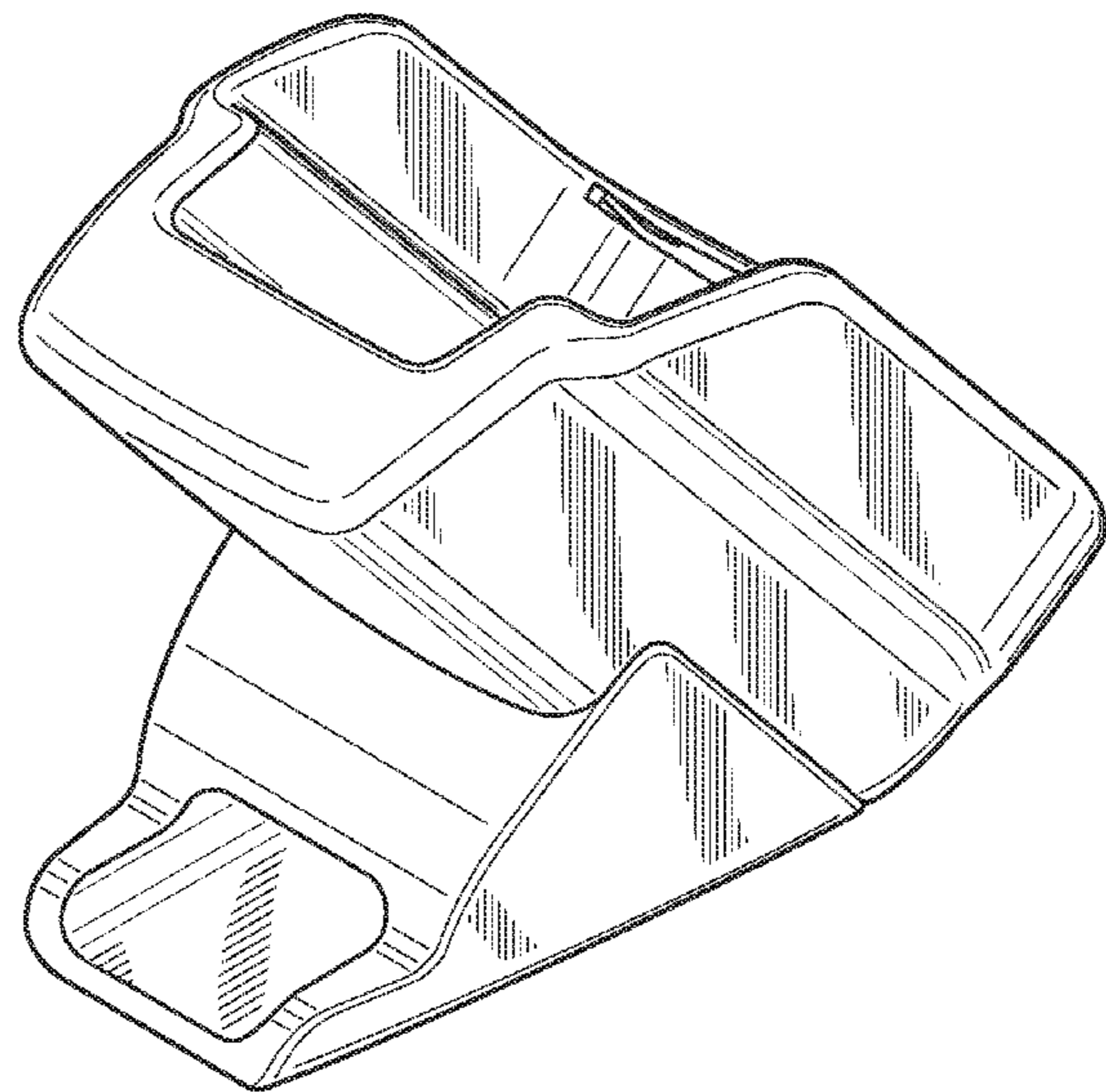
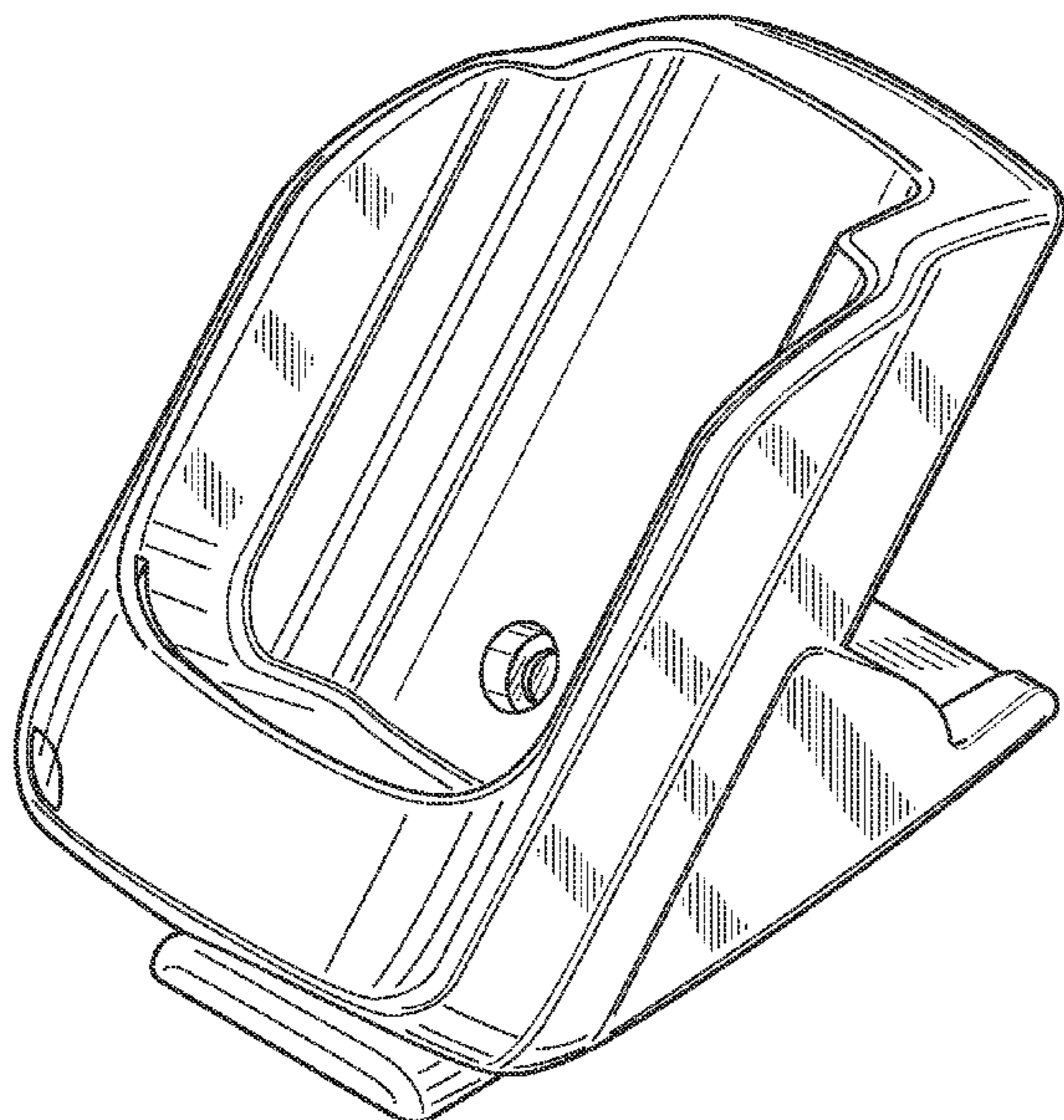
FIG. 5 is a rear elevational view thereof;

FIG. 6 is a bottom plan view thereof;

FIG. 7 is a left side elevational view thereof; and,

FIG. 8 is a right side elevational view thereof.

1 Claim, 5 Drawing Sheets



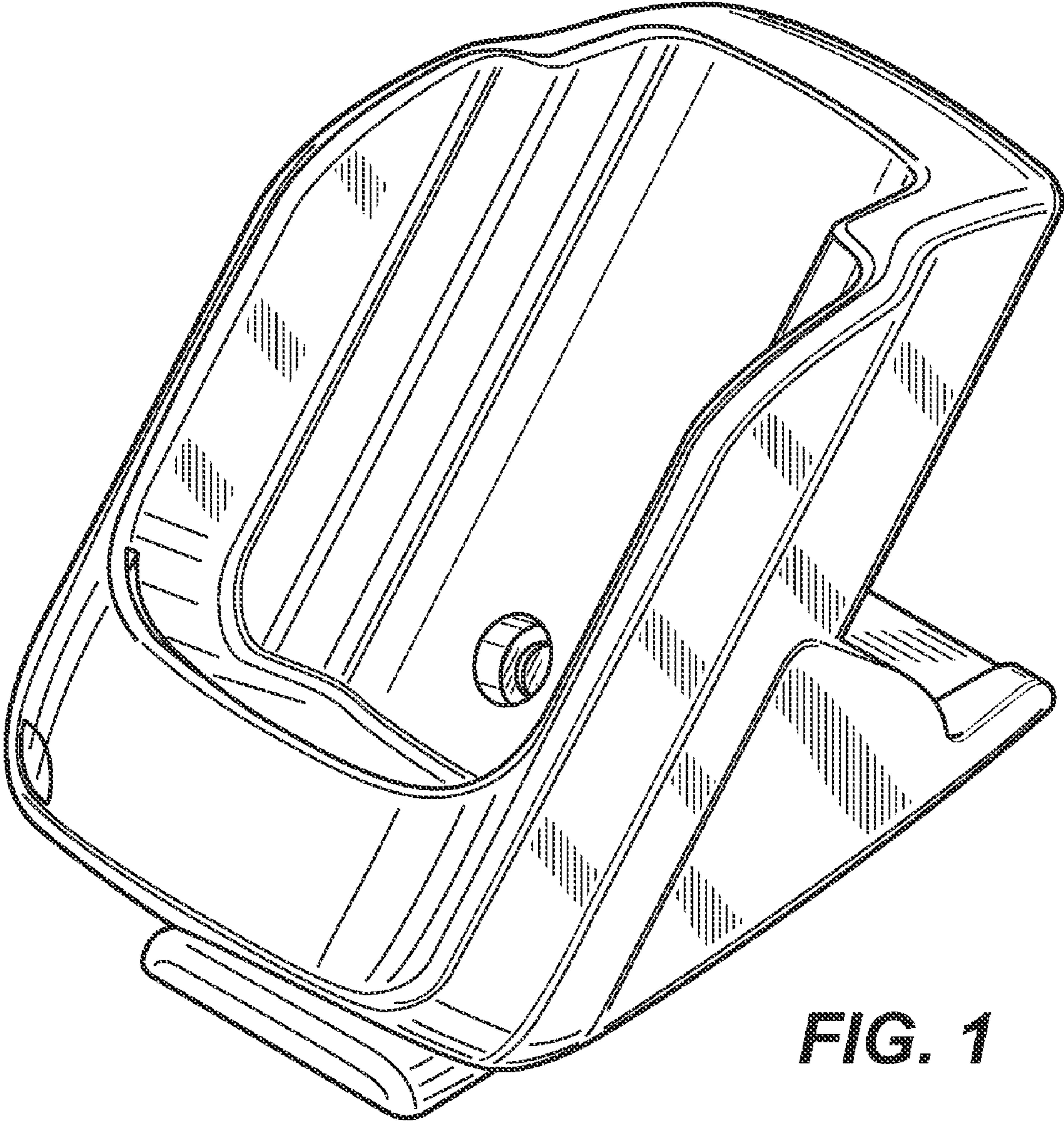


FIG. 1

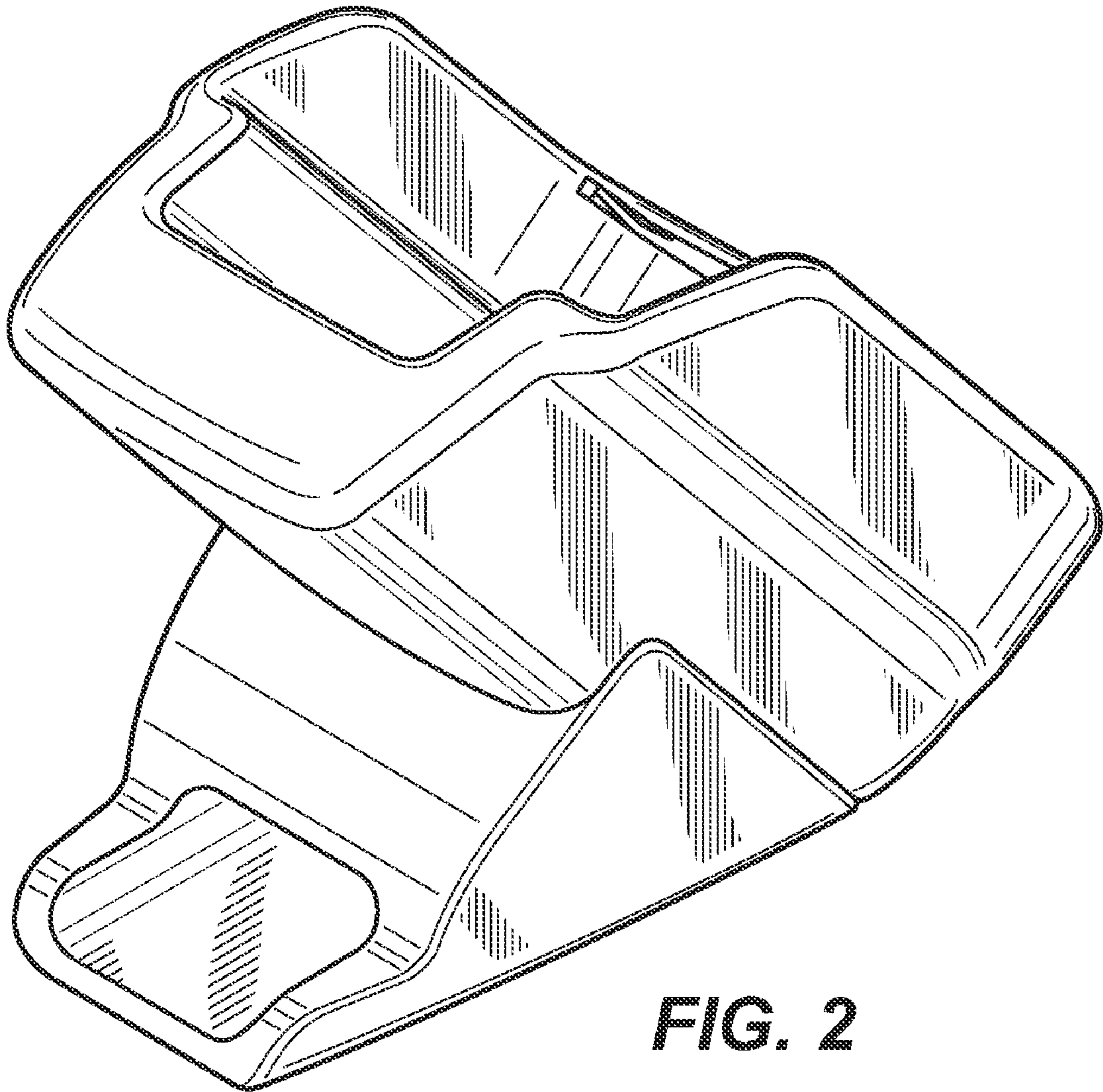


FIG. 2

FIG. 3

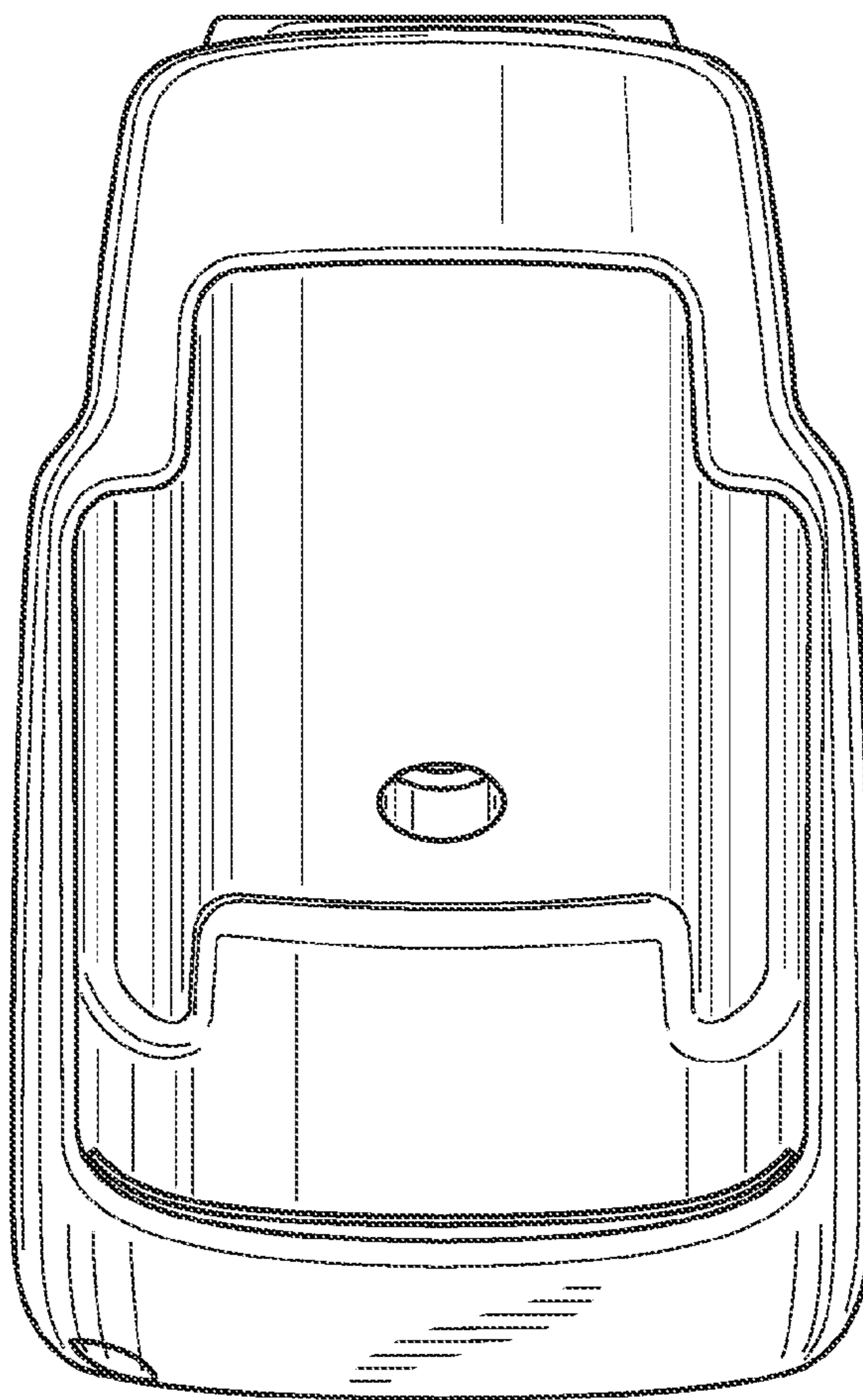


FIG. 4

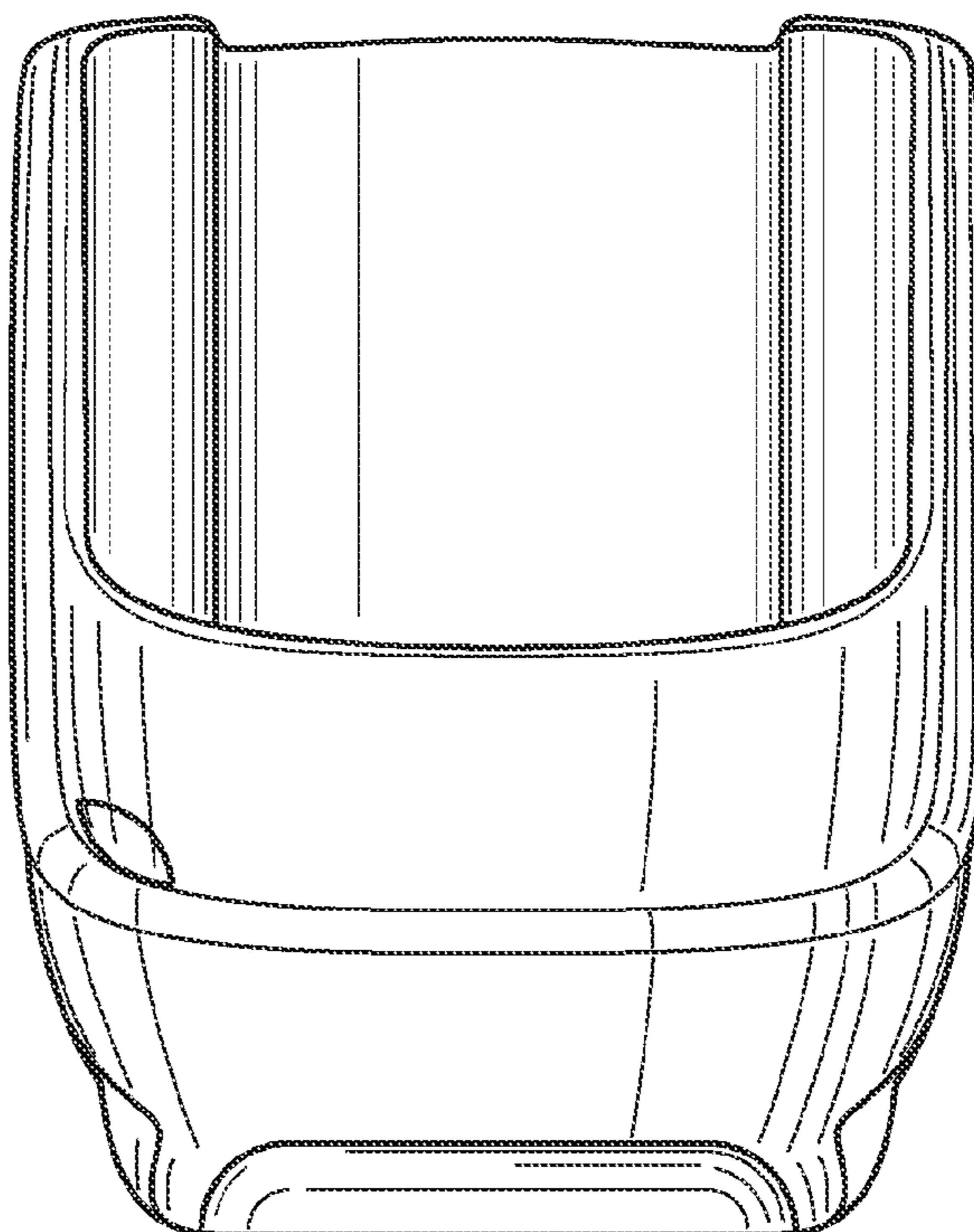


FIG. 5

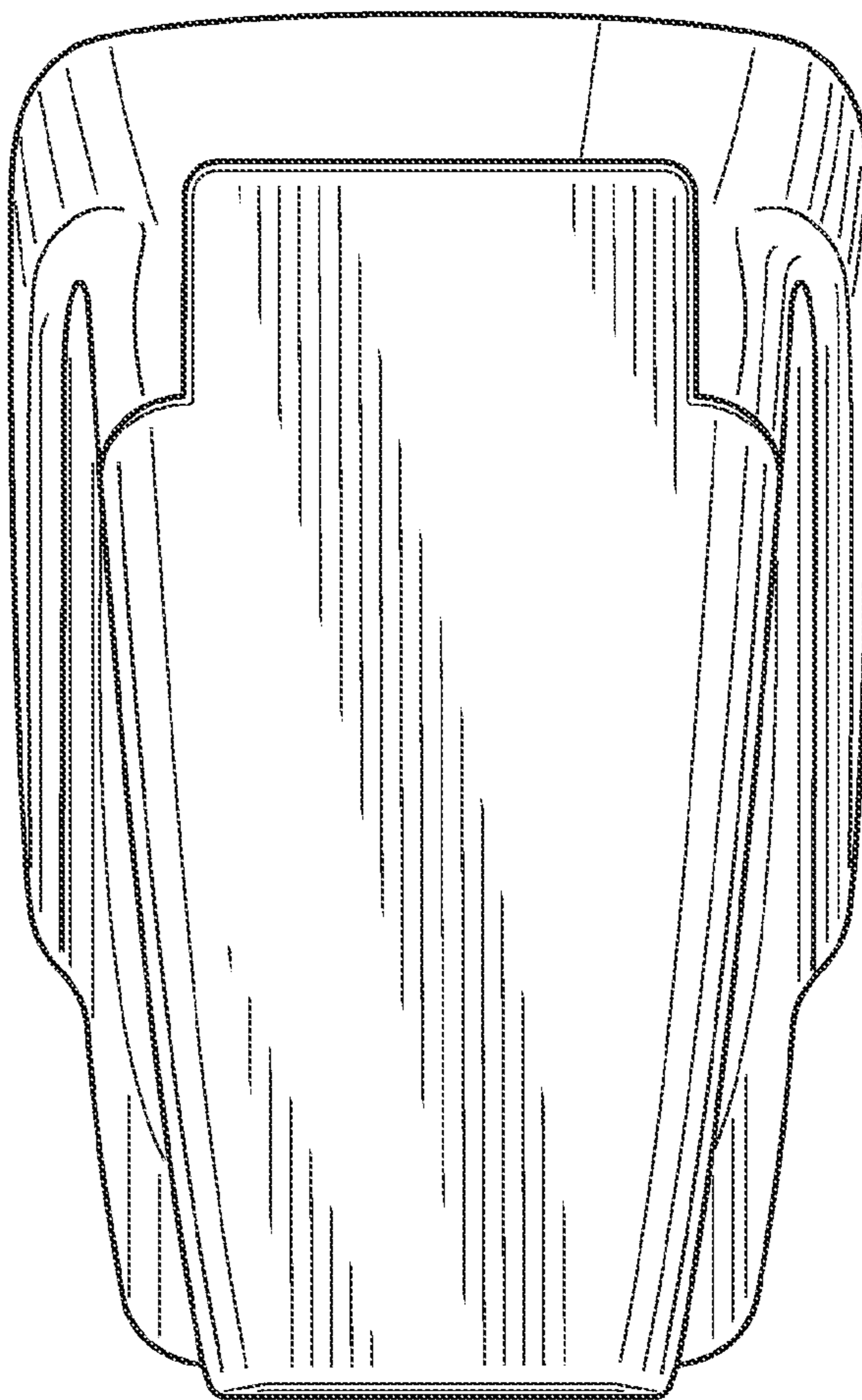
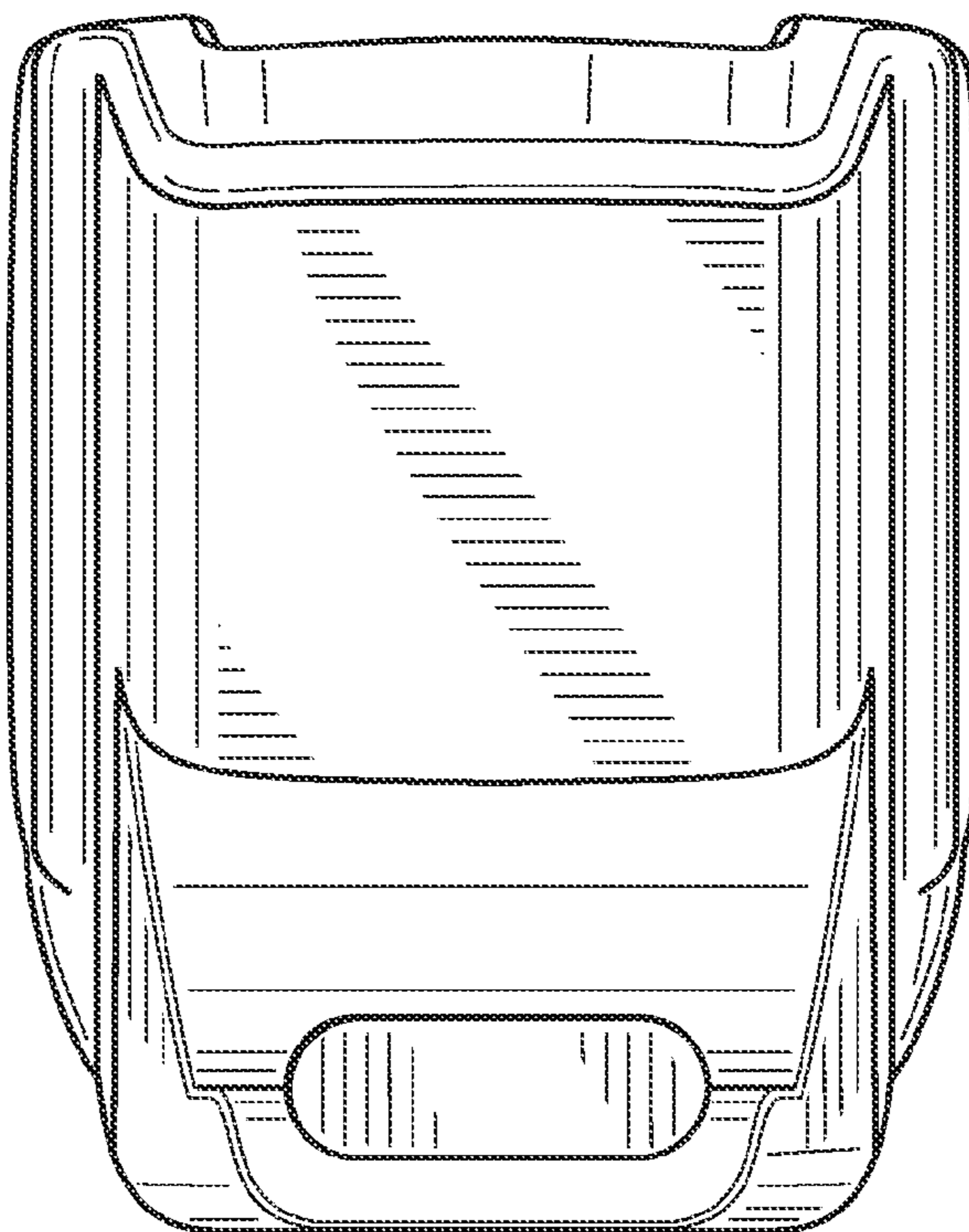


FIG. 6



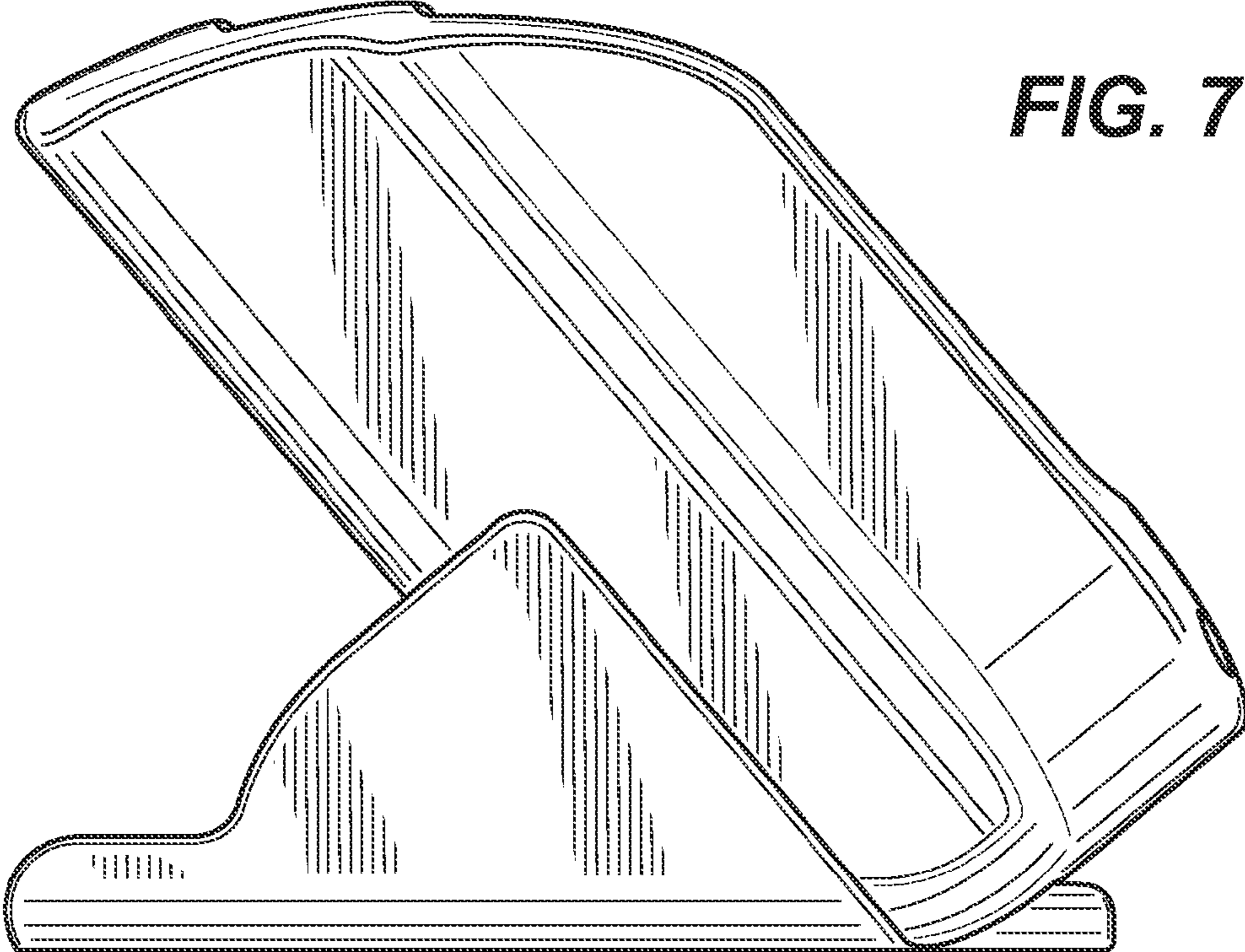


FIG. 7

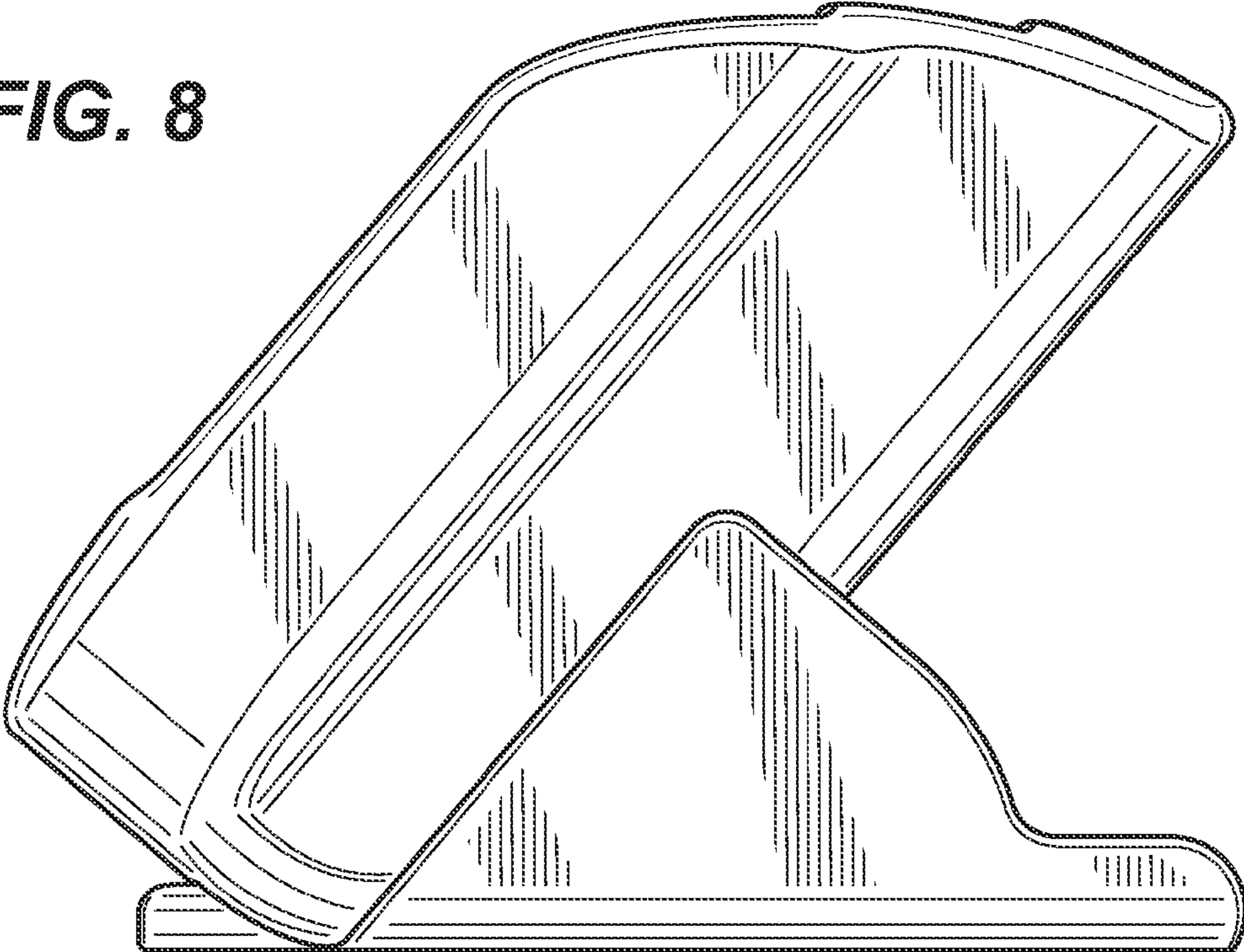


FIG. 8