

US00D601254S

(12) **United States Design Patent**
Weichert

(10) **Patent No.:** **US D601,254 S**

(45) **Date of Patent:** **** Sep. 29, 2009**

(54) **DIGITAL RADIOGRAPHY CASSETTE**

(75) Inventor: **Sven Weichert**, Eindhoven (NL)

(73) Assignee: **Trixell SAS**, Moirans (FR)

(**) Term: **14 Years**

(21) Appl. No.: **29/280,462**

(22) Filed: **May 29, 2007**

(51) **LOC (9) Cl.** **24-01**

(52) **U.S. Cl.** **D24/161**

(58) **Field of Classification Search** D24/158-161,
D24/183, 186; 378/4, 15, 17, 19, 20, 21-27,
378/167, 180-188; 600/409, 410, 425, 476;
250/281-284; D14/480, 481

See application file for complete search history.

(56) **References Cited**

U.S. PATENT DOCUMENTS

D276,460 S *	11/1984	Gemmill	D14/482
D397,795 S *	9/1998	Roddy	D24/161
D408,916 S *	4/1999	Hayashi et al.	D24/158
5,912,944 A *	6/1999	Budinski et al.	378/182
D450,848 S *	11/2001	Hayashi	D24/158
D477,080 S *	7/2003	Takahashi	D24/161

* cited by examiner

Primary Examiner—T. Chase Nelson

Assistant Examiner—Anhdao Doan

(74) *Attorney, Agent, or Firm*—Oblon, Spivak, McClelland,
Maier & Neustadt, L.L.P.

(57) **CLAIM**

The ornamental design for digital radiography cassette, as shown and described.

DESCRIPTION

FIG. 1 is a rear elevational view of digital radiography cassette, showing my new design;

FIG. 2 is a front elevational view thereof;

FIG. 3 is a top side perspective view thereof;

FIG. 4 is a left side perspective view thereof;

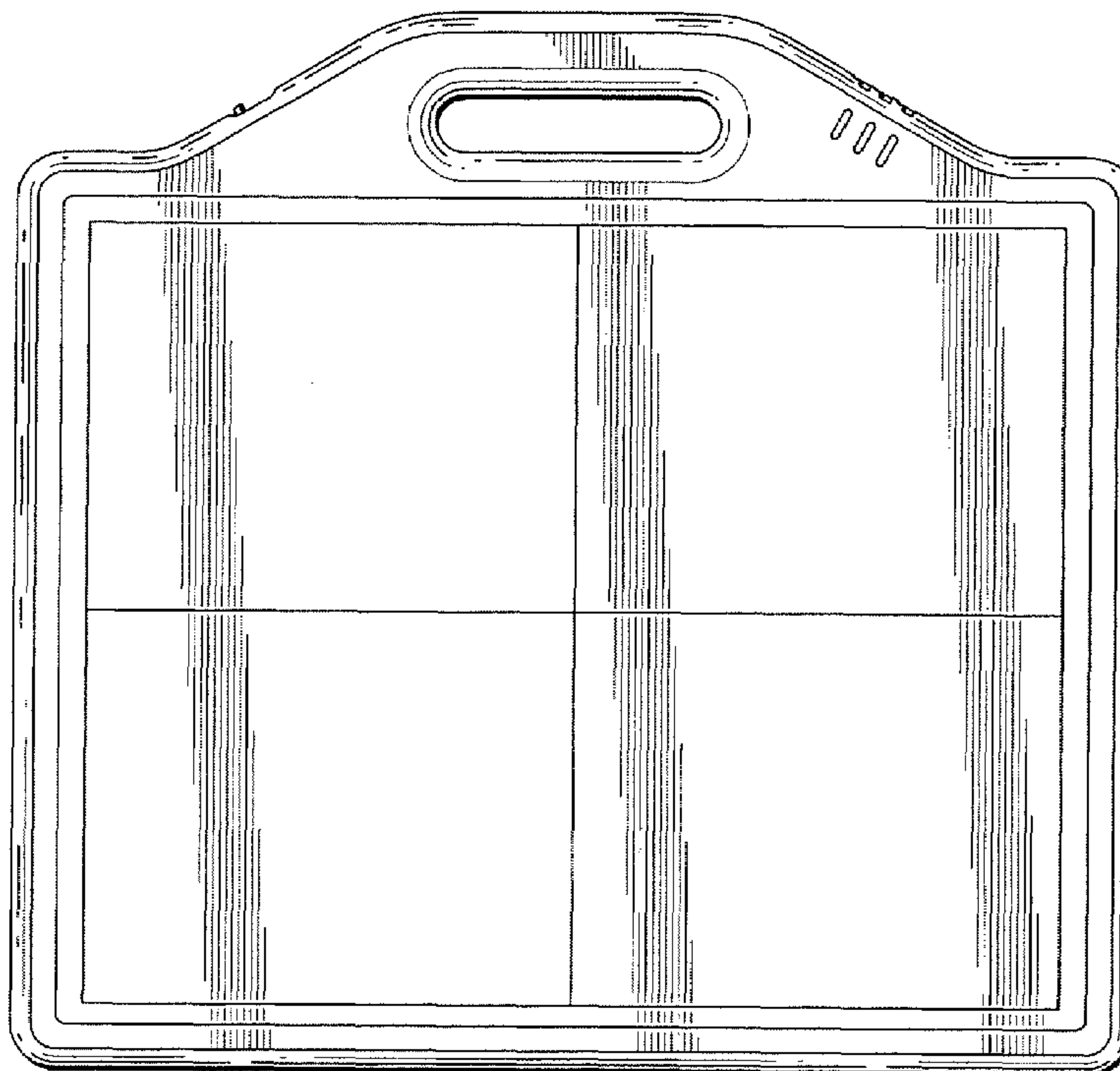
FIG. 5 is a right side perspective view thereof;

FIG. 6 is a bottom side view thereof; and,

FIG. 7 is a top plan view thereof.

The broken lines in the drawings are included for the purpose of illustrating portions of the digital radiography cassette that form no part of the claimed design.

1 Claim, 7 Drawing Sheets



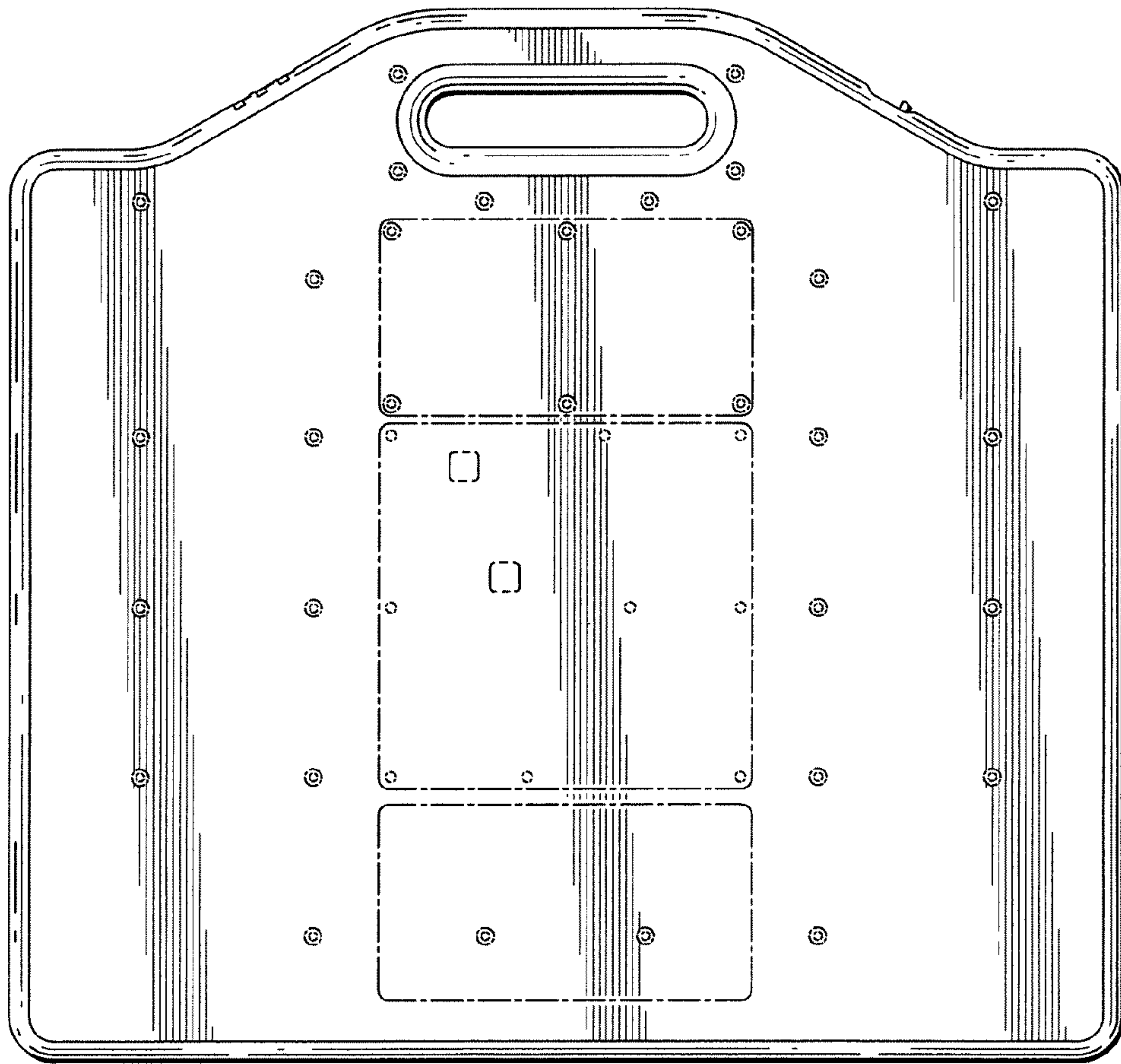


Fig. 1

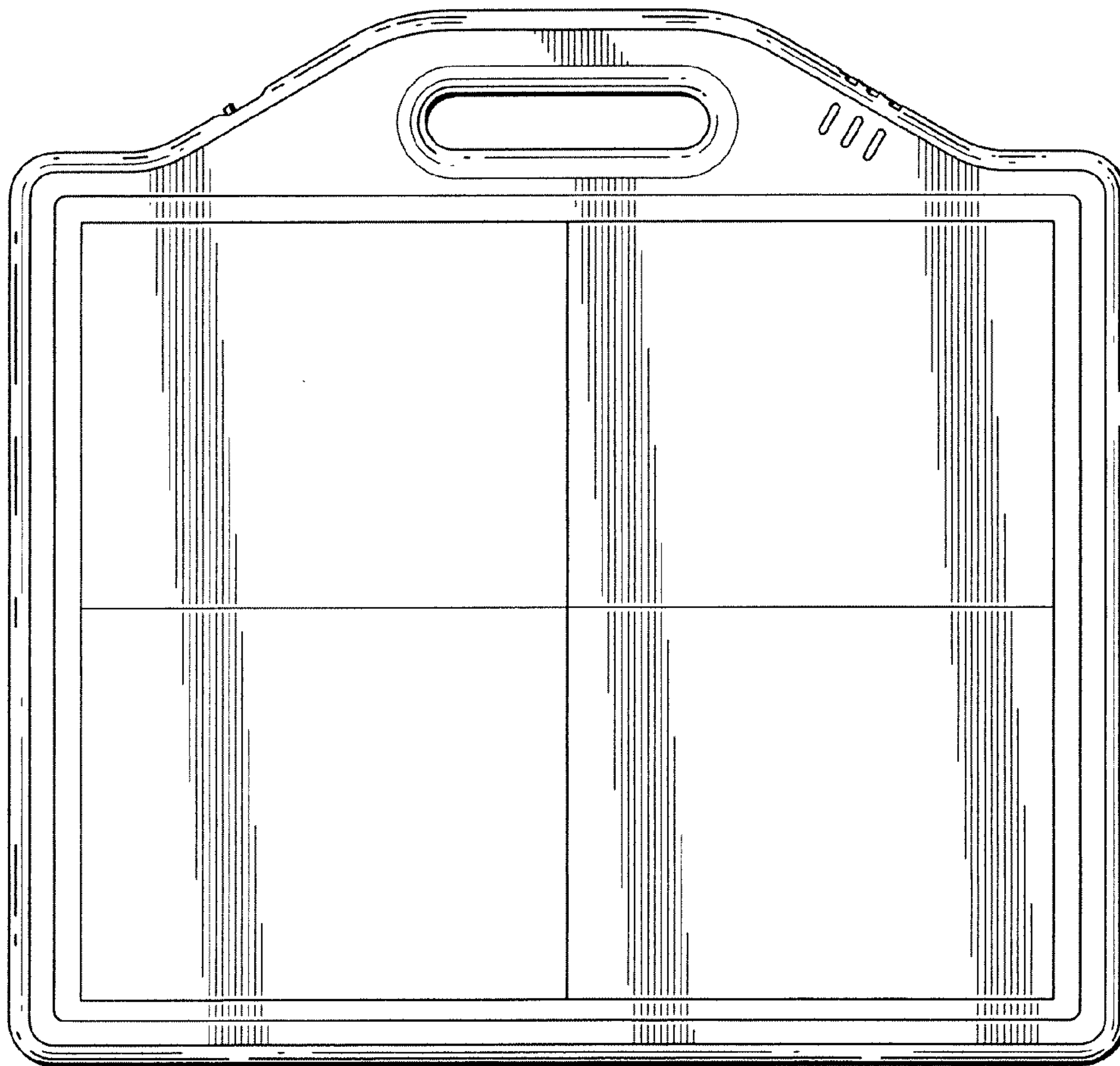


Fig. 2

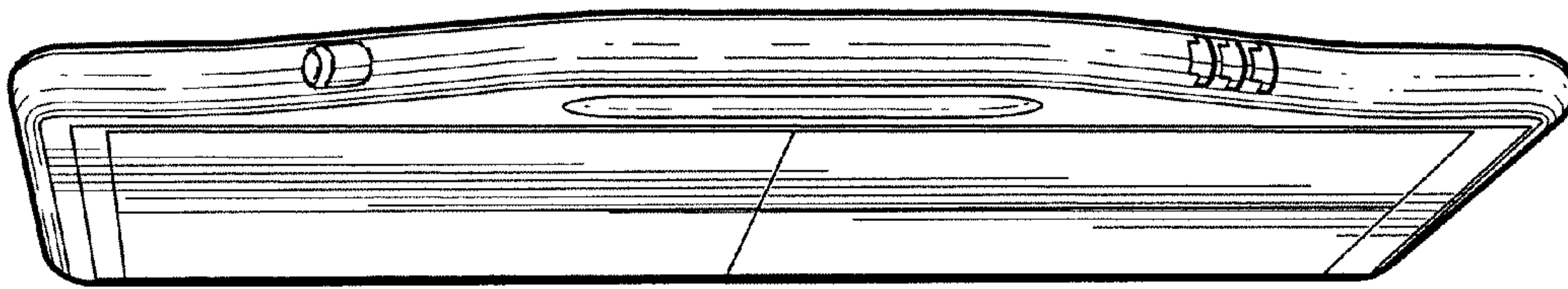


Fig. 3

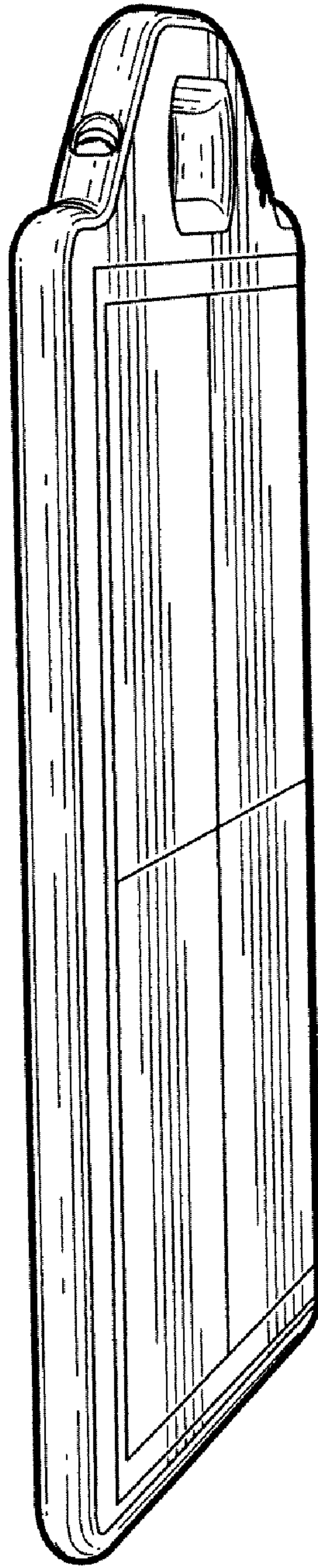


Fig. 4

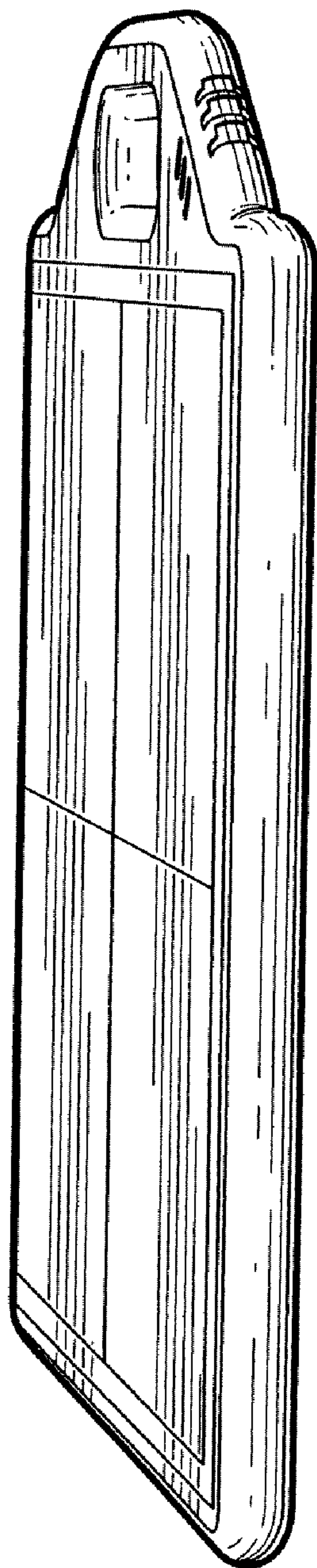


Fig. 5

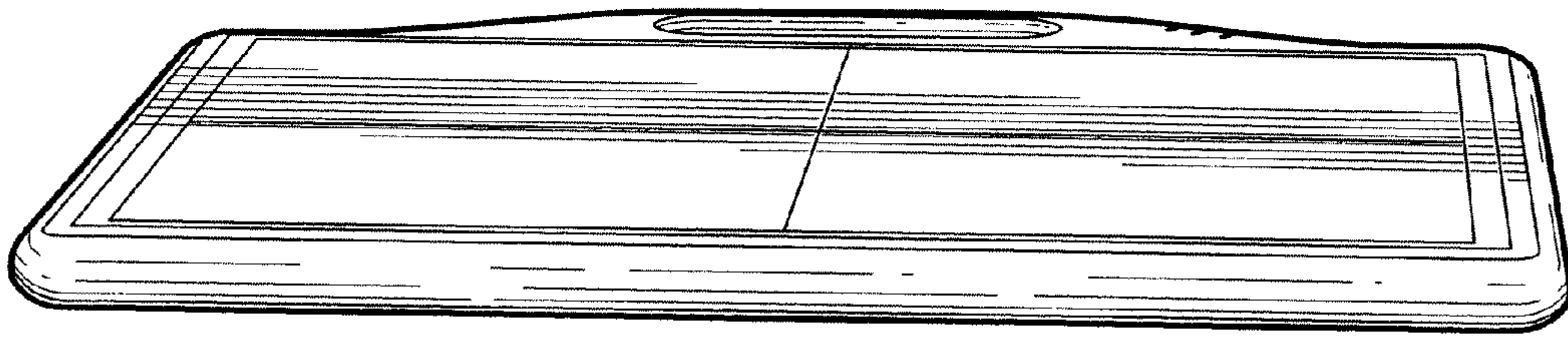


Fig. 6



Fig. 7

UNITED STATES PATENT AND TRADEMARK OFFICE
CERTIFICATE OF CORRECTION

PATENT NO. : Des. 601,254 S
APPLICATION NO. : 29/280462
DATED : September 29, 2009
INVENTOR(S) : Weichert

Page 1 of 1

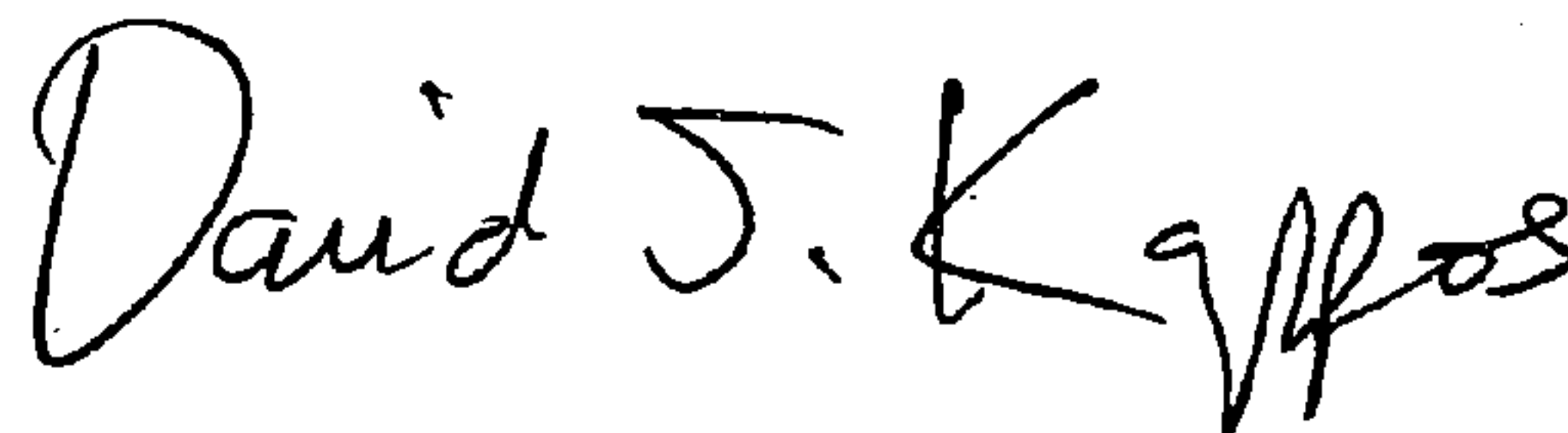
It is certified that error appears in the above-identified patent and that said Letters Patent is hereby corrected as shown below:

On the title page, Item (30), The Foreign Application Priority Data is has been omitted. Item (30) should read:

-- (30) **Foreign Application Priority Data**
Nov. 28, 2006 (EP)..... 000628508 --

Signed and Sealed this

Seventeenth Day of November, 2009



David J. Kappos
Director of the United States Patent and Trademark Office