



US00D601253S

(12) **United States Design Patent**
Kahdemann

(10) **Patent No.:** **US D601,253 S**

(45) **Date of Patent:** **** Sep. 29, 2009**

(54) **DENTAL IMPLANT**

(75) Inventor: **Steffen Kahdemann**, Uffenheim (DE)

(73) Assignee: **ziterion, GmbH**, Uffenheim Alemania (DE)

(**) Term: **14 Years**

(21) Appl. No.: **29/310,297**

(22) Filed: **Aug. 7, 2008**

(30) **Foreign Application Priority Data**

Feb. 7, 2008 (EP) 000874391-0001

(51) **LOC (9) Cl.** **24-03**

(52) **U.S. Cl.** **D24/156**

(58) **Field of Classification Search** D24/155,
D24/156, 180, 176; D8/387, 176; 433/173,
433/176; 606/304, 74, 72

See application file for complete search history.

(56) **References Cited**

U.S. PATENT DOCUMENTS

D427,684	S *	7/2000	Hansson	D24/156
6,220,860	B1 *	4/2001	Hansson	433/173
6,247,933	B1 *	6/2001	Wagner et al.	433/173
6,261,097	B1 *	7/2001	Schmutz et al.	433/173
6,343,930	B1 *	2/2002	Beaty et al.	433/173
6,458,134	B1 *	10/2002	Songer et al.	606/304
6,517,543	B1 *	2/2003	Berrepoets et al.	606/304
6,619,958	B2 *	9/2003	Beaty et al.	433/173
6,644,969	B2 *	11/2003	Kumar	433/173
6,755,835	B2 *	6/2004	Schultheiss et al.	606/304
6,758,672	B2 *	7/2004	Porter et al.	433/173
6,875,216	B2 *	4/2005	Wolf	606/304

D565,181	S *	3/2008	Anita Aldecoa	D24/156
D577,122	S *	9/2008	Aldecoa	D24/156
7,425,131	B2 *	9/2008	Amber et al.	433/173
D583,945	S *	12/2008	Anitua Aldecoa	D24/156
D588,699	S *	3/2009	Aldecoa	D24/156
D588,700	S *	3/2009	Anitua Aldecoa	D24/156

OTHER PUBLICATIONS

Internet website entitled "Zimmer Dental: Features and Benefits: Tapered Swiss Plus", http://www.zimmerdental.com/im_tswpFBOverView.asp.

Internet website entitled "The Nano Title Tapered PREVAIL Implant", http://biomet3i.com/English/products/NanoTitle_Tapered_PREVAIL_...

Internet website entitled "Nobel Biocare—beautiful esthetics start below the surface—Nobel B . . .", <http://www1.nobelbiocare.com/en/implant-solutions/home/default.aspx>.

* cited by examiner

Primary Examiner—Charles A Rademaker

(74) *Attorney, Agent, or Firm*—Olson & Cepuritis, Ltd.

(57) **CLAIM**

The ornamental design for a dental implant, as shown and described.

DESCRIPTION

FIG. 1 is a side elevation of a dental implant showing my new design;

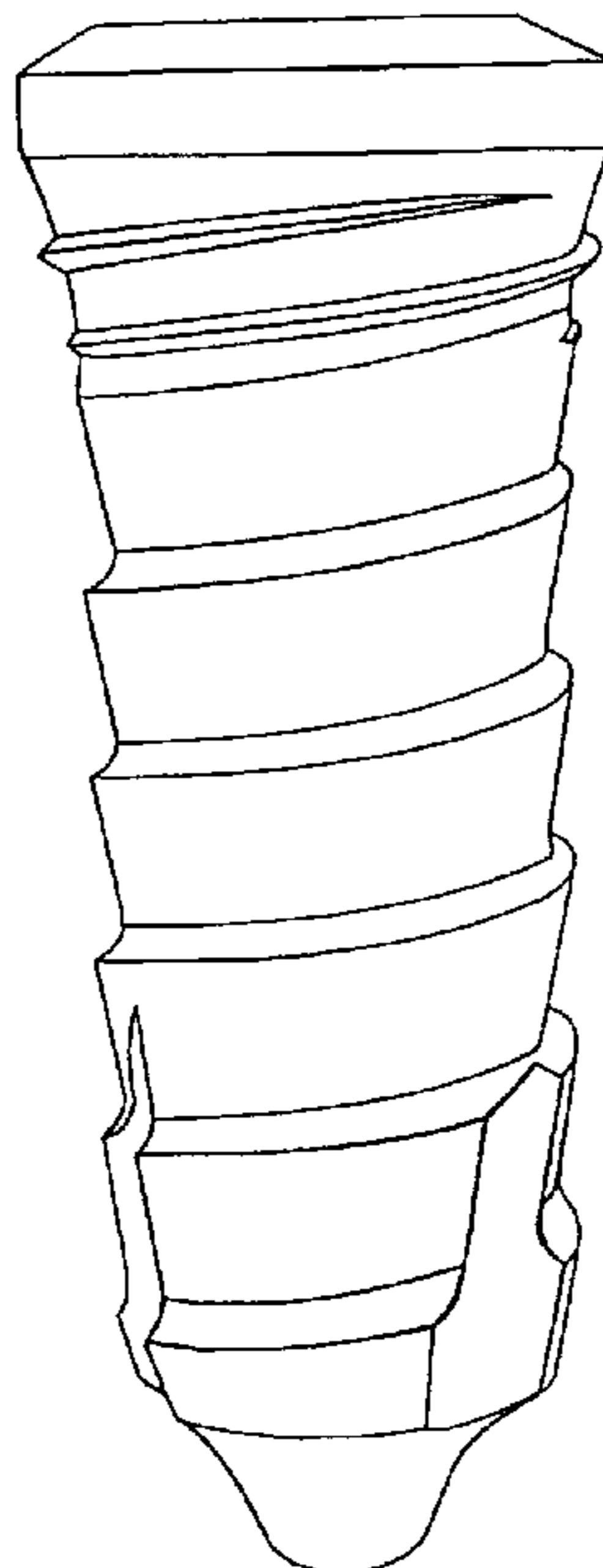
FIG. 2 is a rotated side view of the dental implant of FIG. 1;

FIG. 3 is a rotated side view of the dental implant of FIG. 1;

FIG. 4 is bottom view of the dental implant of FIG. 1; and,

FIG. 5 is a perspective view of the dental implant of FIG. 1.

1 Claim, 2 Drawing Sheets



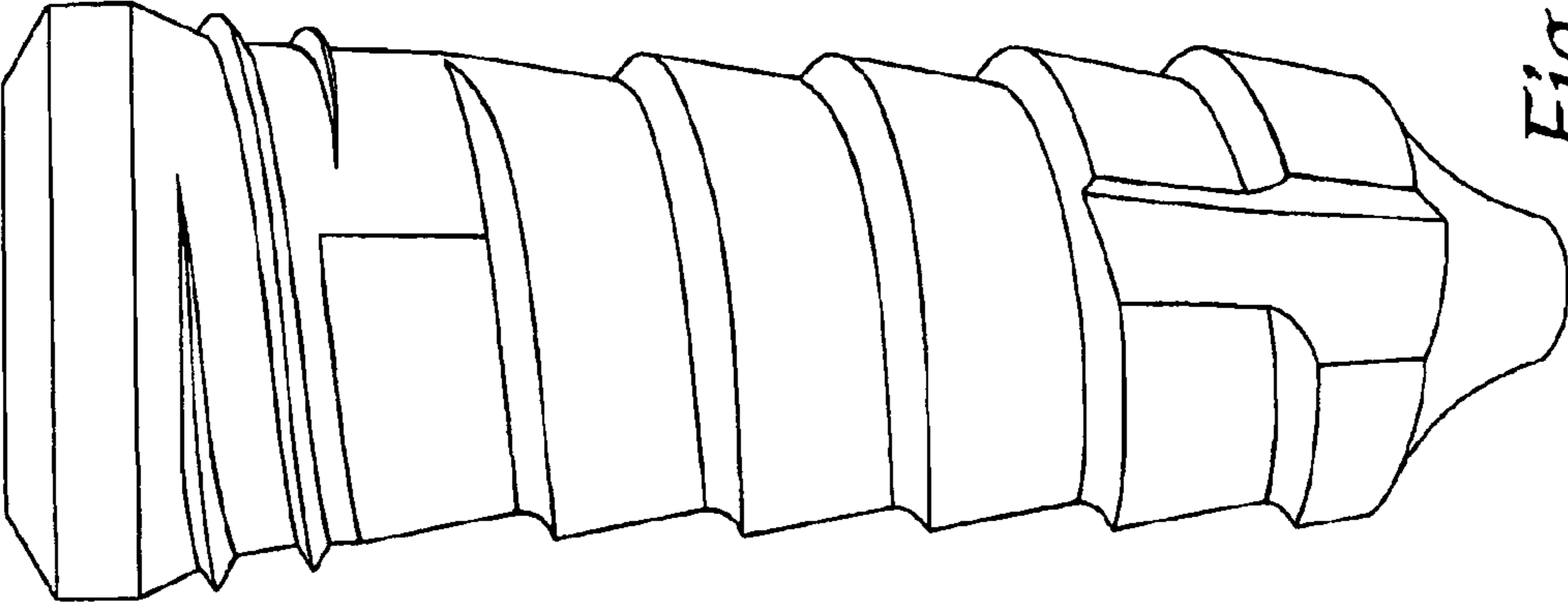


Fig. 3

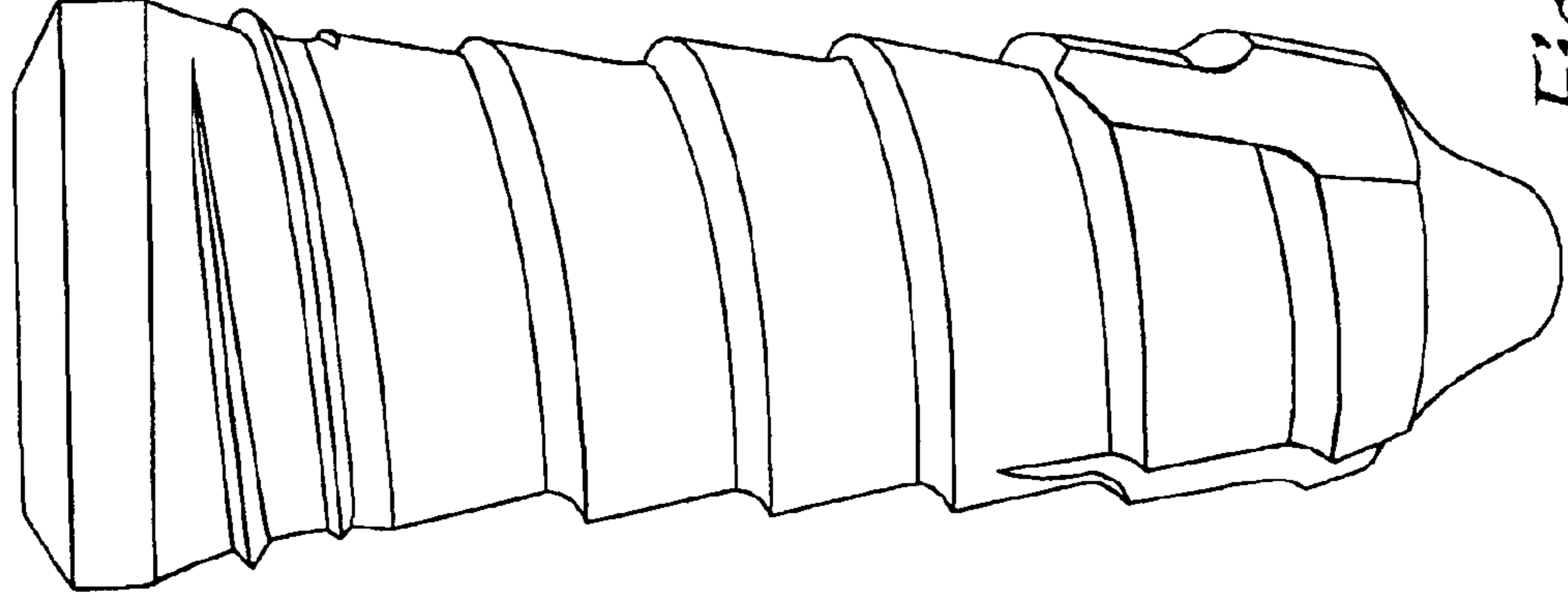


Fig. 2

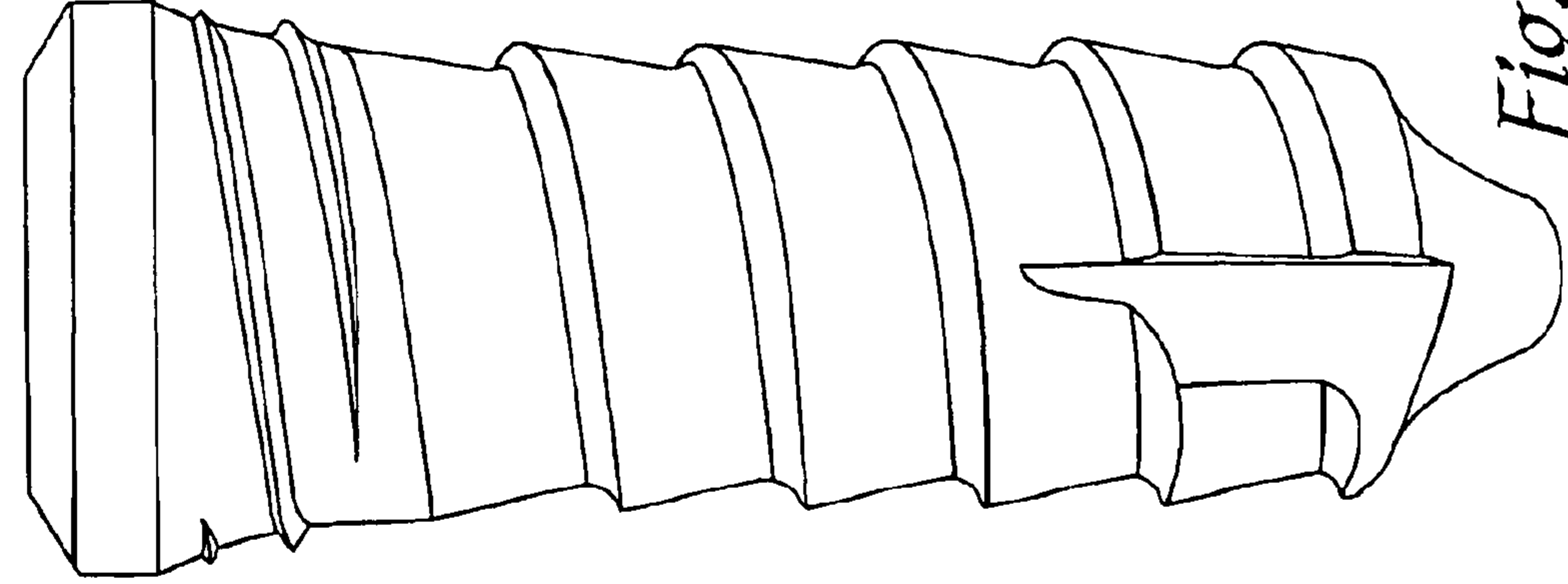


Fig. 1

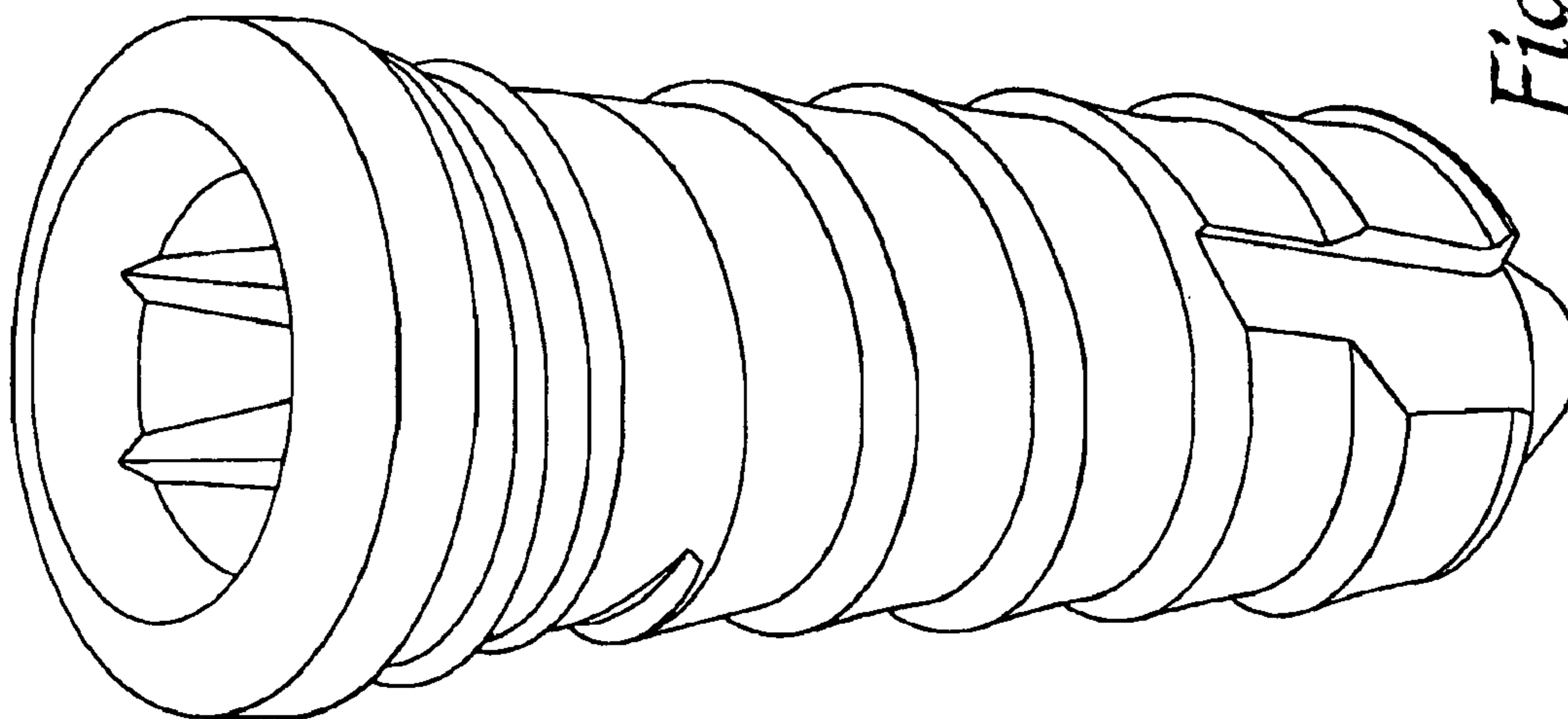


Fig. 5

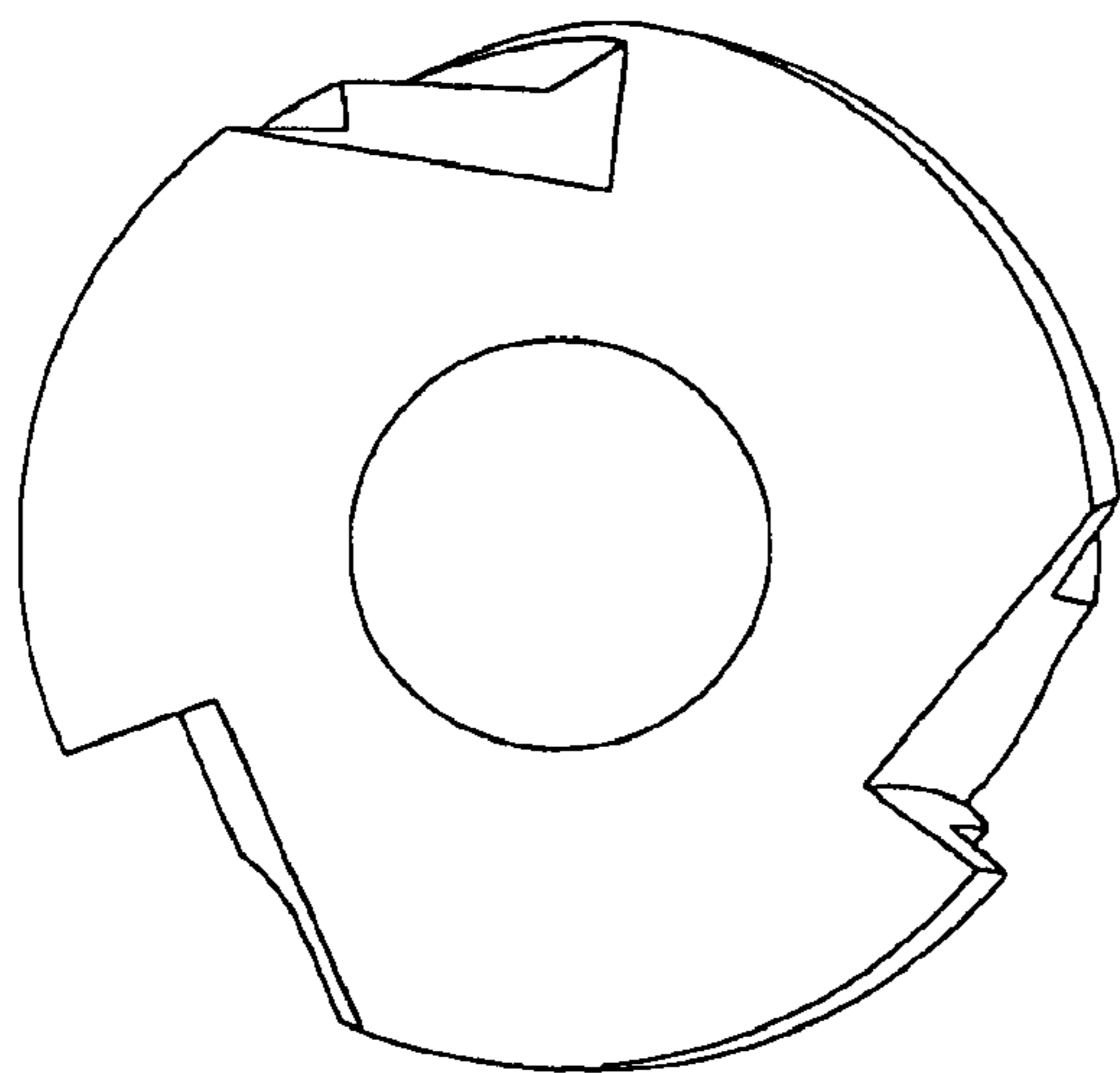


Fig. 4