



US00D601252S

(12) **United States Design Patent**
Ra

(10) **Patent No.:** **US D601,252 S**

(45) **Date of Patent:** **** Sep. 29, 2009**

(54) **ACUPUNCTURE DEVICE**

(76) **Inventor:** **Jong-Joo Ra**, 2nd Floor, Dawoo
Buliding, 889-2, Ssangyong 2-dong,
Cheonan-si, Chungcheongnamdo (KR)
330-948

(**) **Term:** **14 Years**

(21) **Appl. No.:** **29/290,196**

(22) **Filed:** **Nov. 2, 2007**

(30) **Foreign Application Priority Data**

May 4, 2007 (KR) 30-2007-0019630

(51) **LOC (9) Cl.** **24-02**

(52) **U.S. Cl.** **D24/142; D24/133; D24/147;**
D24/200

(58) **Field of Classification Search** D24/142,
D24/146-147, 133, 200, 214-215; 128/907;
601/19, 134-135; 606/189, 204
See application file for complete search history.

(56) **References Cited**

U.S. PATENT DOCUMENTS

3,590,821	A *	7/1971	Orlandini	606/189
D298,775	S *	11/1988	Lee	D24/214
D302,590	S *	8/1989	Trott	D24/147
D306,344	S *	2/1990	Watkins	D24/201
D376,016	S *	11/1996	Chen	D24/214

5,624,384	A *	4/1997	Chen	601/84
5,817,037	A *	10/1998	Zurbay	601/135
6,102,875	A *	8/2000	Jones	601/113
6,730,050	B2 *	5/2004	Huang	601/93
2007/0066919	A1 *	3/2007	Gueret	601/138

* cited by examiner

Primary Examiner—Ian Simmons

Assistant Examiner—Wan Laymon

(74) *Attorney, Agent, or Firm*—Stites & Harbison, PLLC;
Jaun Carlos A. Marquez, Esq.

(57) **CLAIM**

The ornamental deign for an acupuncture device, as shown and described.

DESCRIPTION

FIG. 1 is a perspective view of an acupuncture device showing my new design;

FIG. 2 is a front elevation view thereof;

FIG. 3 is a rear elevation view thereof;

FIG. 4 is a left side elevation view thereof;

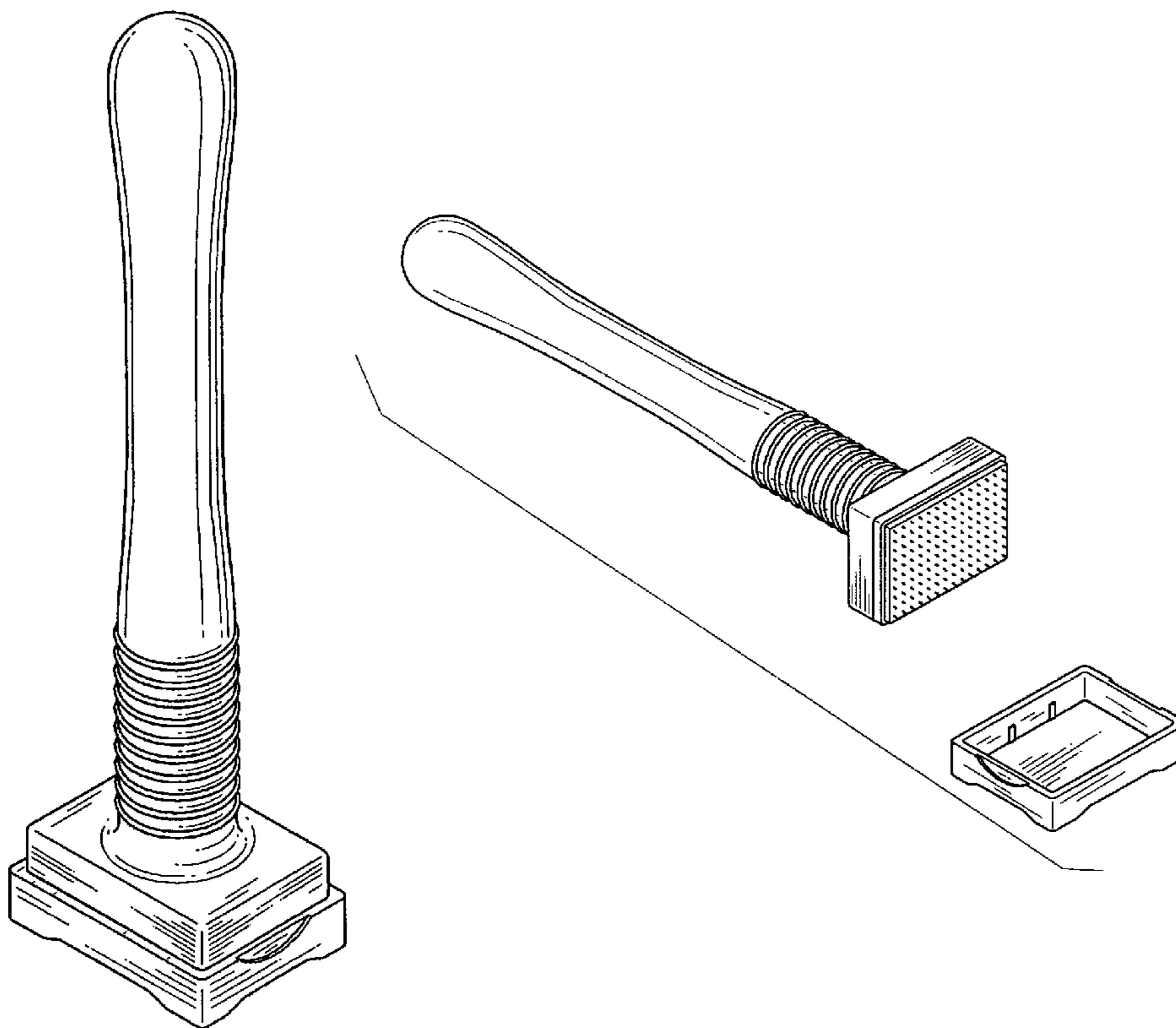
FIG. 5 is a right side elevation view thereof;

FIG. 6 is a top plan view thereof;

FIG. 7 is a bottom plan view thereof; and,

FIG. 8 is an exploded view of FIG. 1.

1 Claim, 7 Drawing Sheets



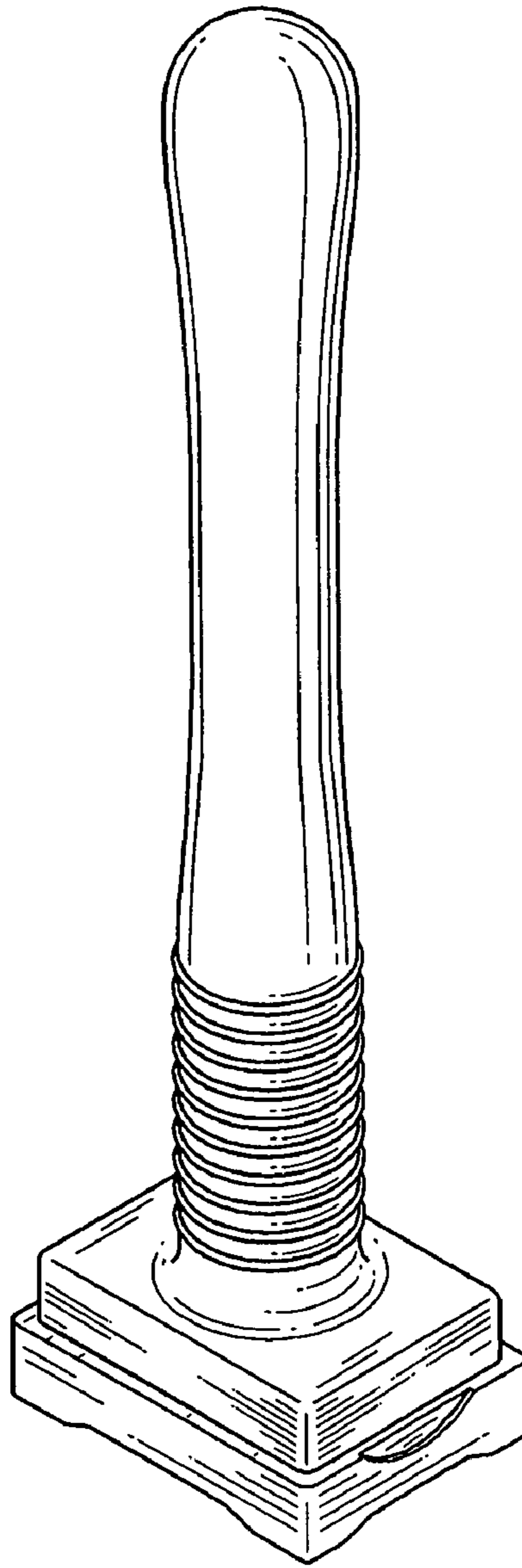


FIG. 1

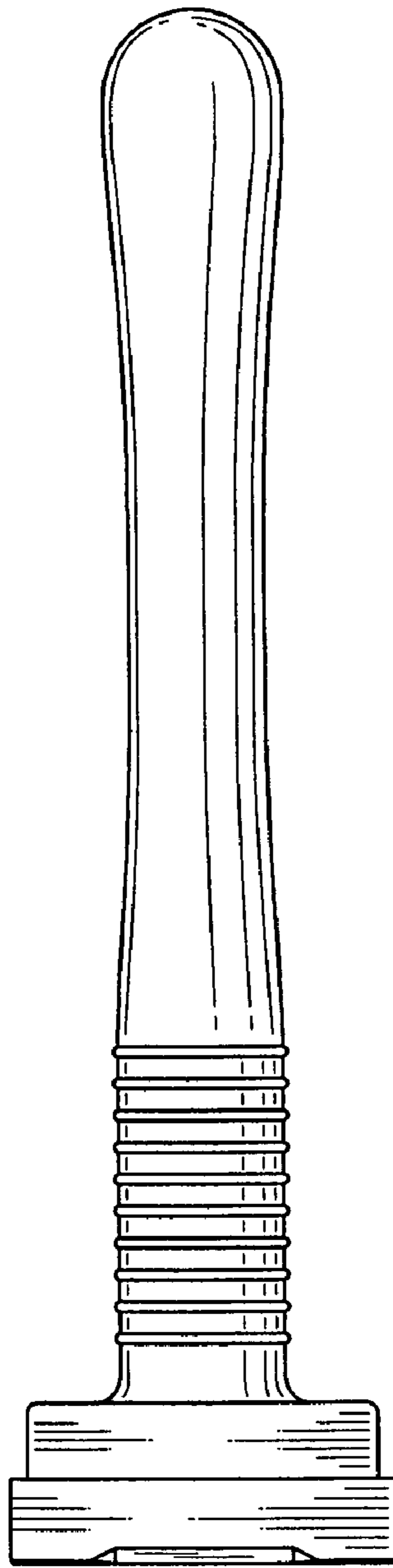


FIG. 2

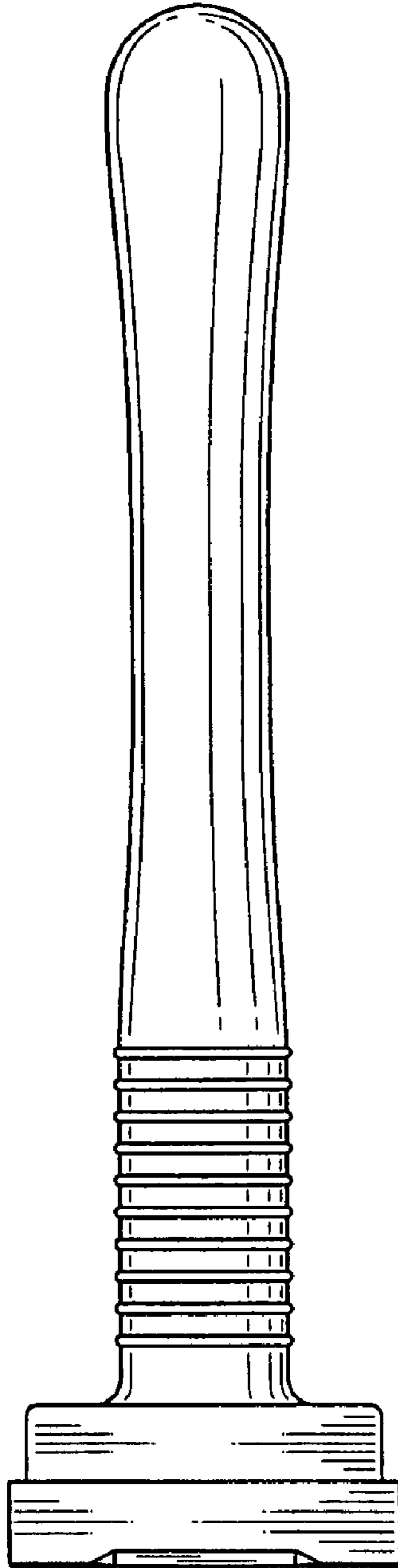


FIG. 3

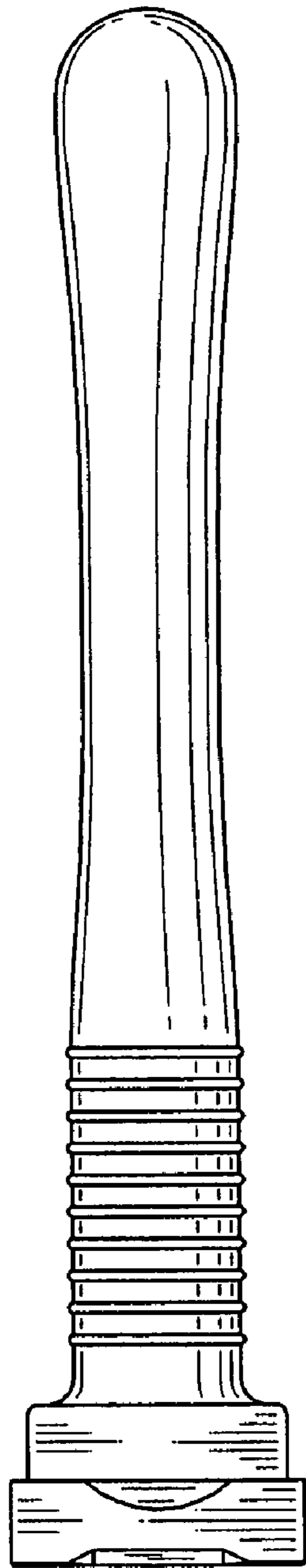


FIG. 4

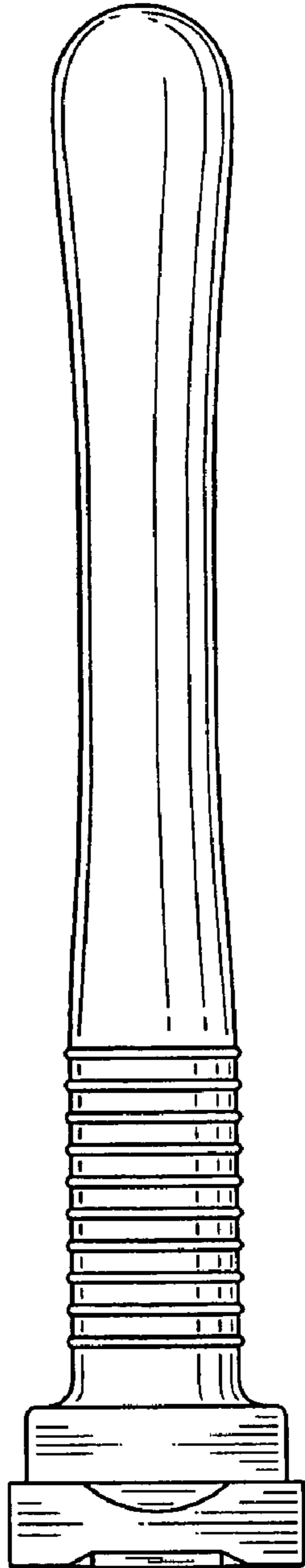


FIG. 5

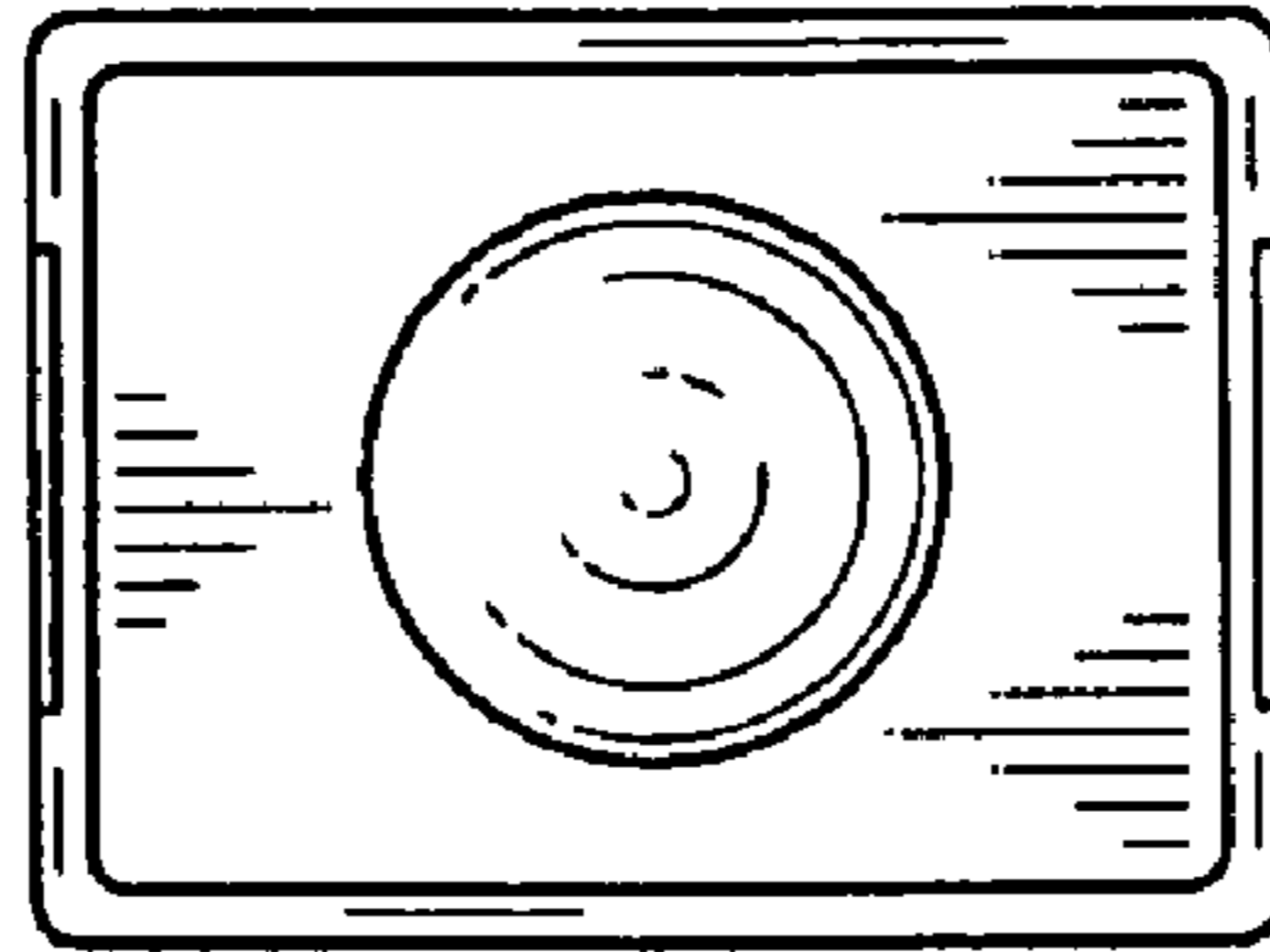


FIG. 6

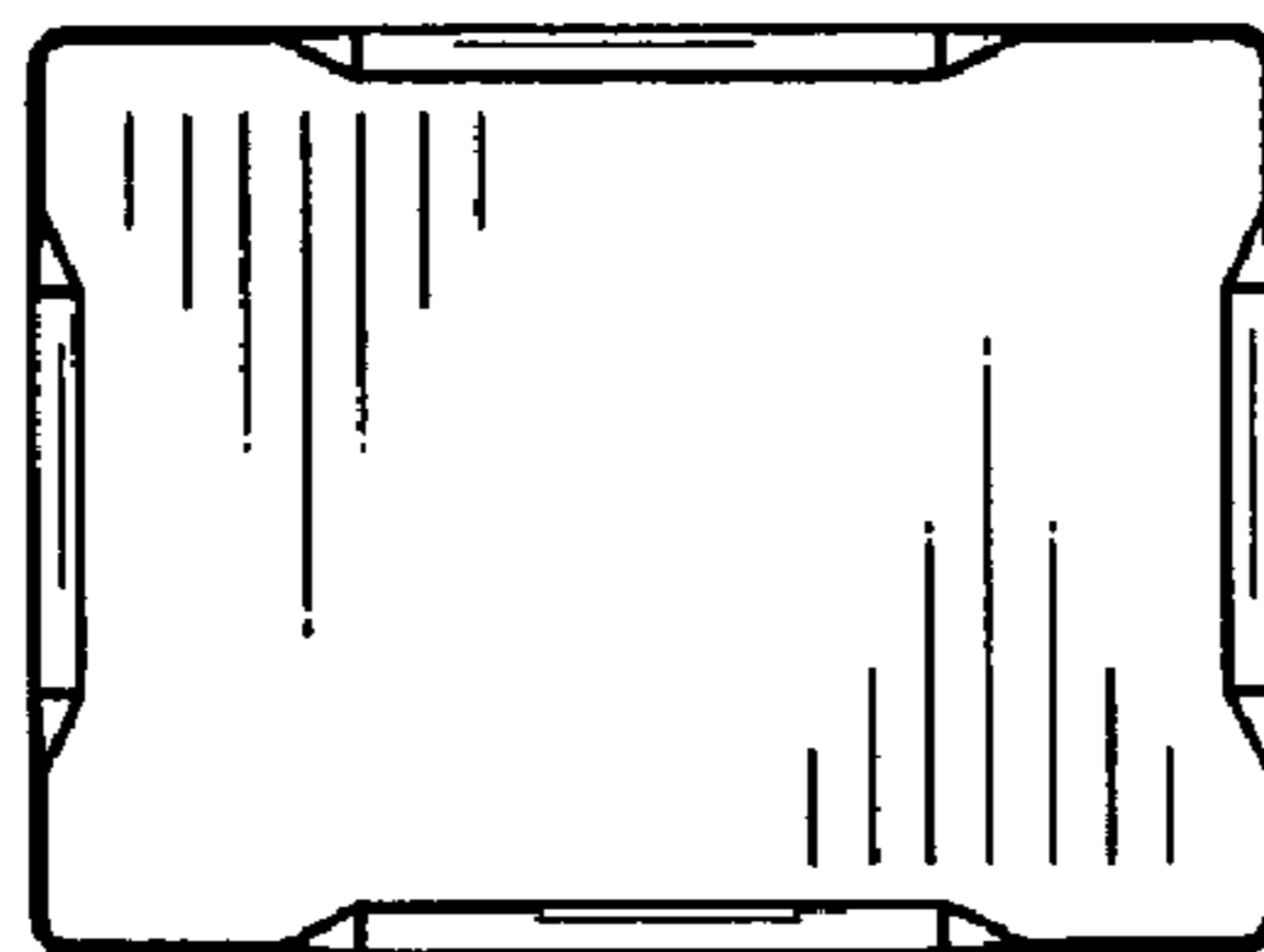


FIG. 7

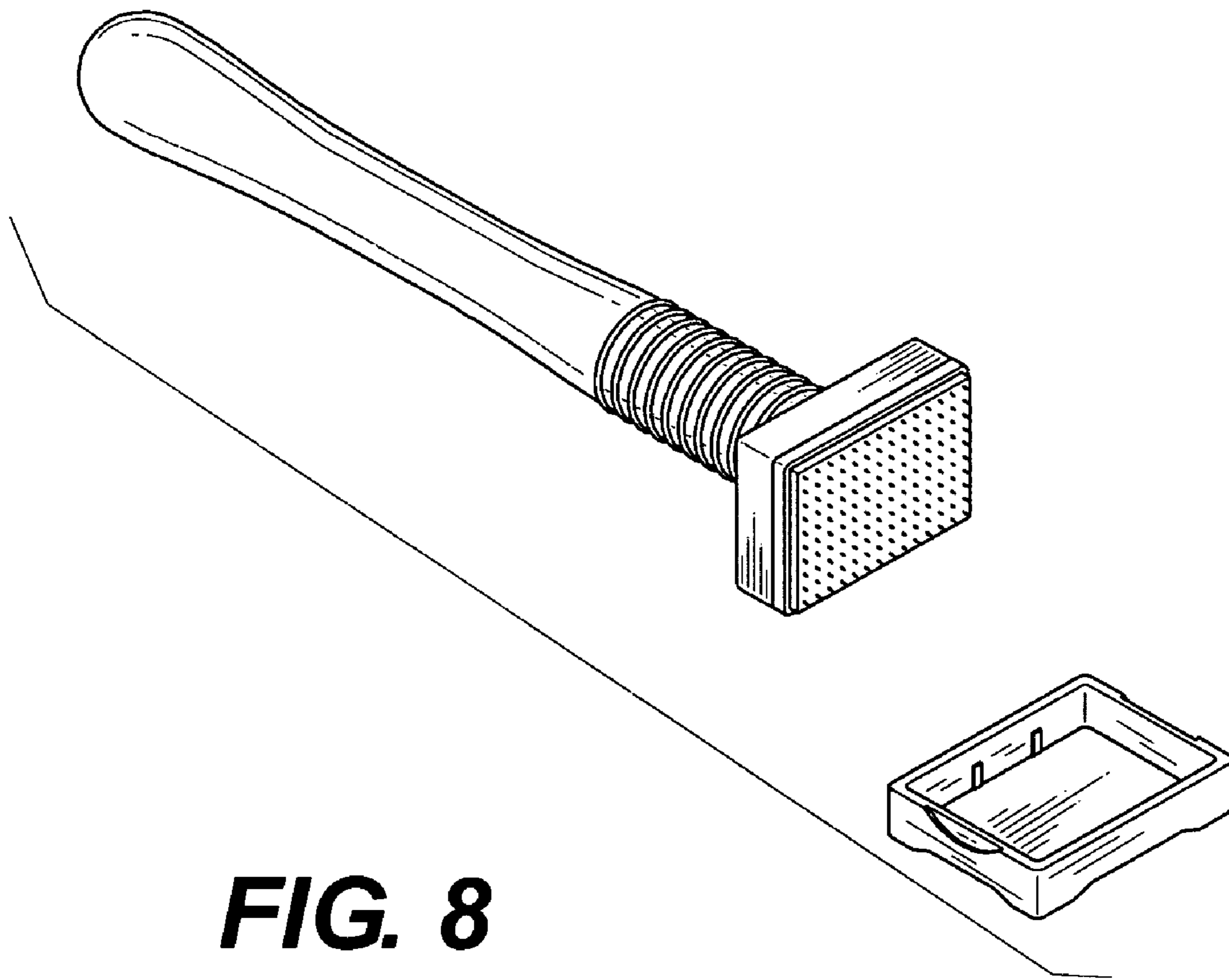


FIG. 8