



US00D601250S

(12) **United States Design Patent**
Haunschild

(10) **Patent No.:** **US D601,250 S**

(45) **Date of Patent:** **** Sep. 29, 2009**

(54) **MEDICAL INSTRUMENT**

(75) Inventor: **Karl-Heinz Haunschild**, Muehlheim (DE)

(73) Assignee: **Karl Storz GmbH & Co. KG** (DE)

(**) Term: **14 Years**

(21) Appl. No.: **29/284,439**

(22) Filed: **Sep. 7, 2007**

(30) **Foreign Application Priority Data**

Mar. 9, 2007 (EM) 000686357

(51) **LOC (9) Cl.** **24-02**

(52) **U.S. Cl.** **D24/133; D24/140; D24/143**

(58) **Field of Classification Search** D24/143, D24/135, 140, 148, 133; 606/54, 96, 98, 606/86 R, 102, 151, 205-208, 214, 324, 217-218
See application file for complete search history.

(56) **References Cited**

U.S. PATENT DOCUMENTS

4,133,081	A *	1/1979	Hurson	606/151
D316,601	S *	4/1991	Shichman	D24/143
D349,342	S *	8/1994	Van Noy et al.	D24/143
5,366,457	A *	11/1994	McGuire et al.	606/86 R
D355,254	S *	2/1995	Krafft et al.	D24/140
D356,376	S *	3/1995	Collins	D24/143

5,653,714	A *	8/1997	Dietz et al.	606/87
D558,889	S *	1/2008	Doll et al.	D24/232
2004/0034362	A1 *	2/2004	Abdelgany et al.	606/98
2007/0118116	A1 *	5/2007	Feiler et al.	606/54
2008/0221572	A1 *	9/2008	Naegerl et al.	606/57
2008/0255623	A1 *	10/2008	Steiner et al.	606/86 R

* cited by examiner

Primary Examiner—Ian Simmons

Assistant Examiner—Wan Laymon

(74) *Attorney, Agent, or Firm*—St. Onge Steward Johnston & Reens LLC

(57) **CLAIM**

The ornamental design for a medical instrument, as shown and described.

DESCRIPTION

FIG. 1 is a top perspective view of a medical instrument in accordance with the new design;

FIG. 2 is a top plan view thereof;

FIG. 3 is a right side view thereof;

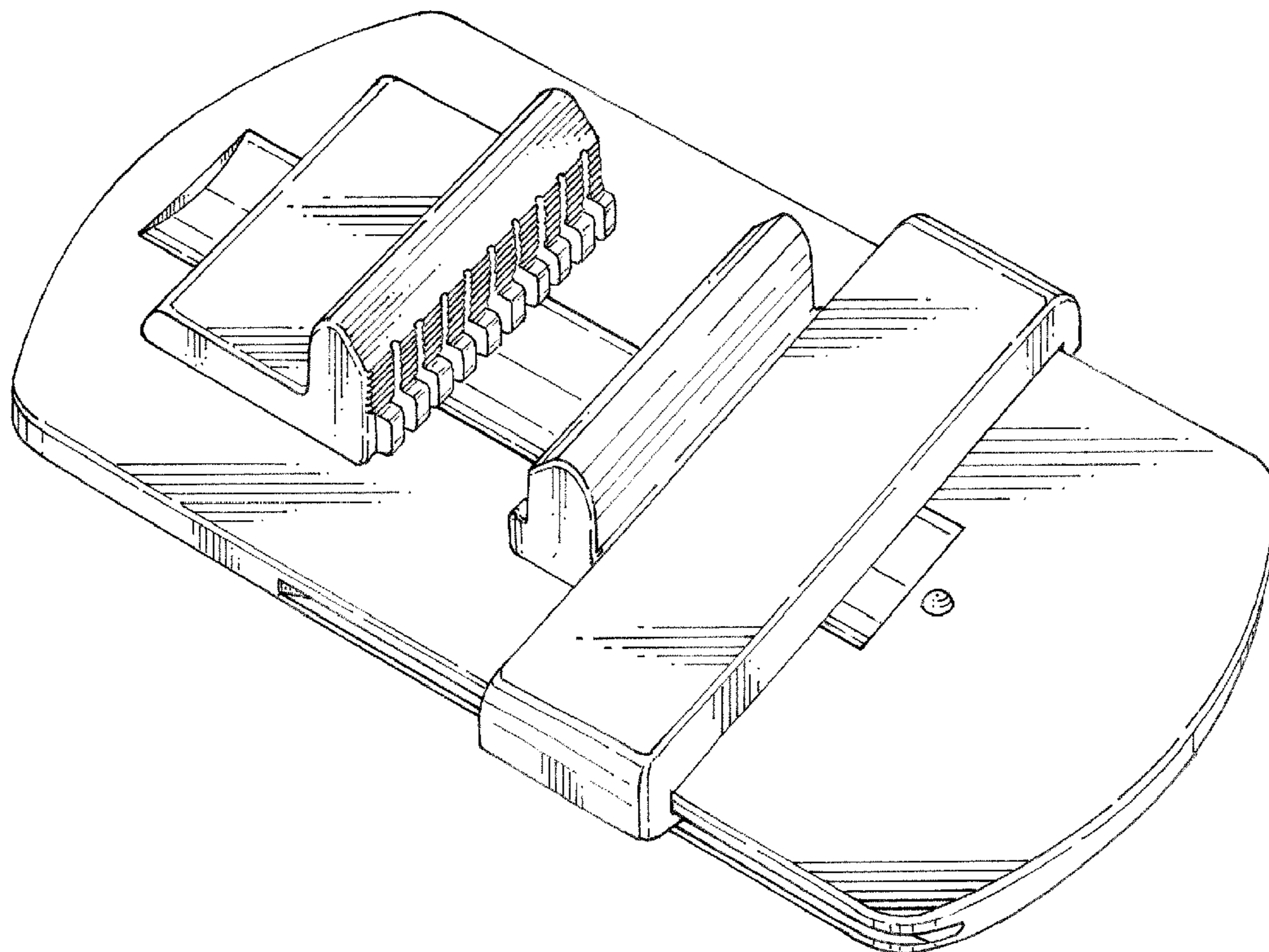
FIG. 4 is a left side view thereof;

FIG. 5 is a front view thereof;

FIG. 6 is a rear view thereof; and,

FIG. 7 is a bottom view thereof.

1 Claim, 5 Drawing Sheets



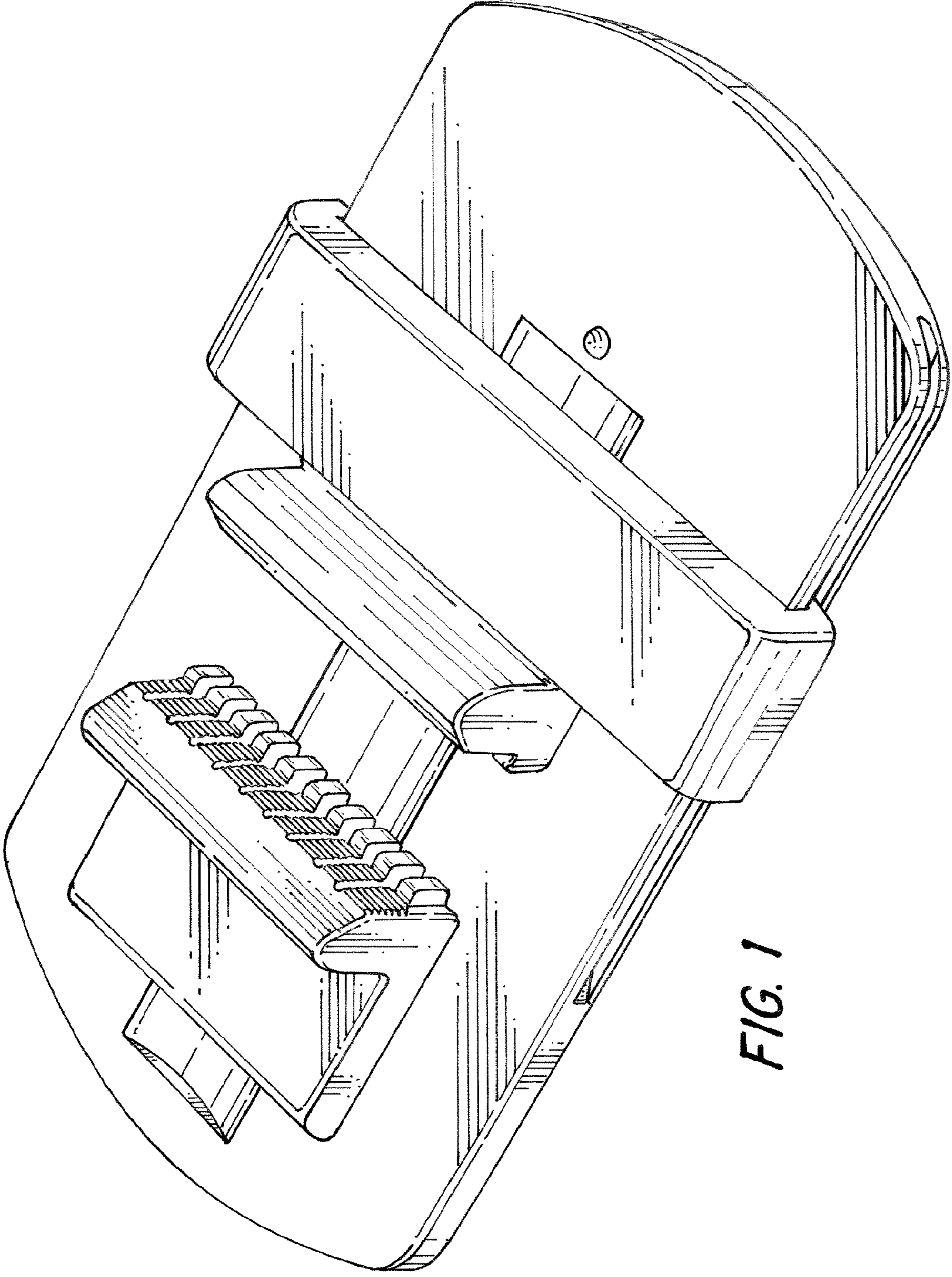


FIG. 1

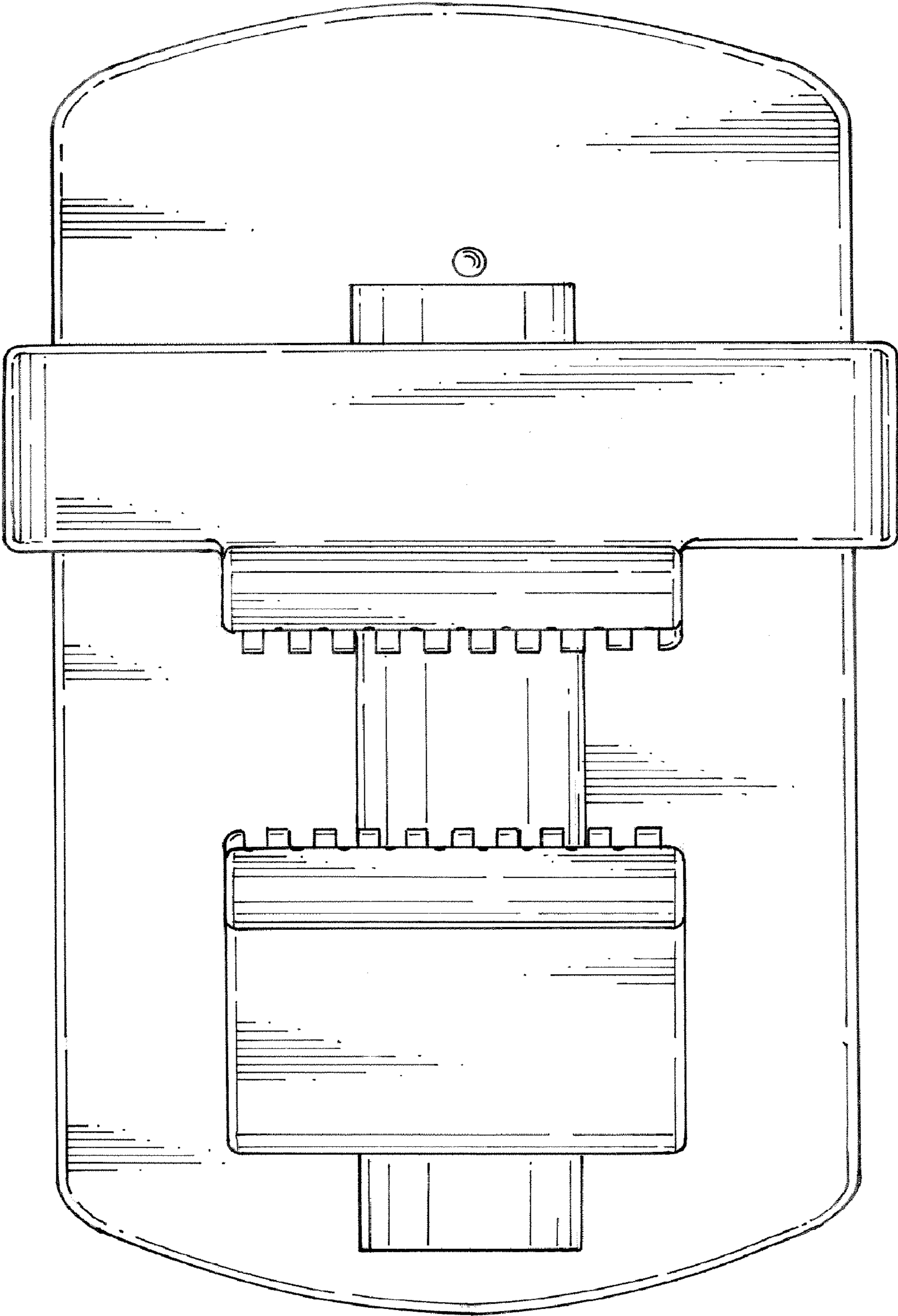


FIG. 2

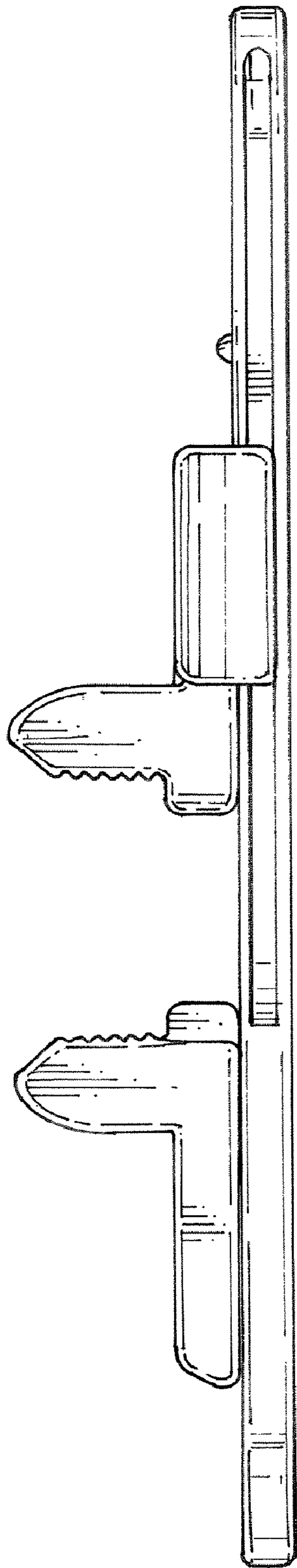


FIG. 3

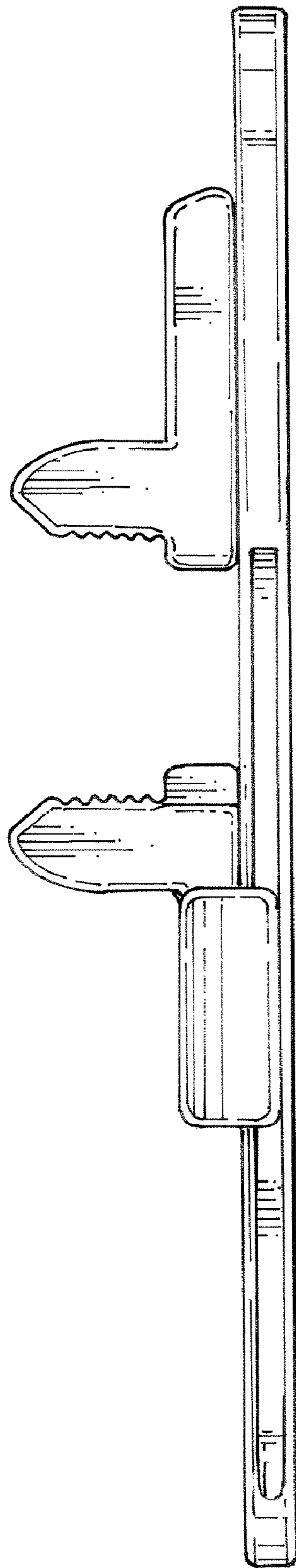


FIG. 4

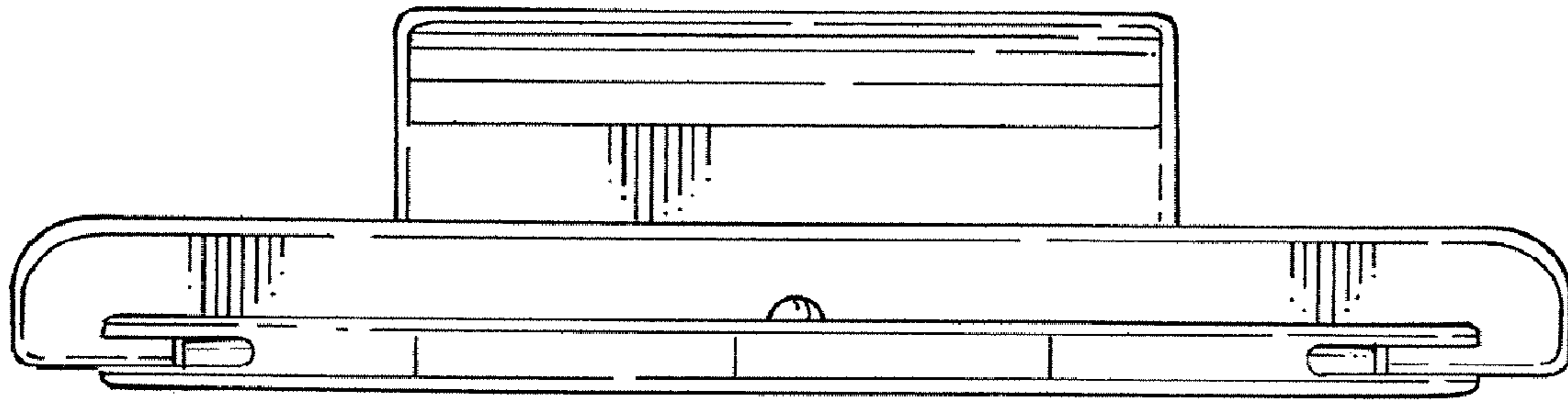


FIG. 5

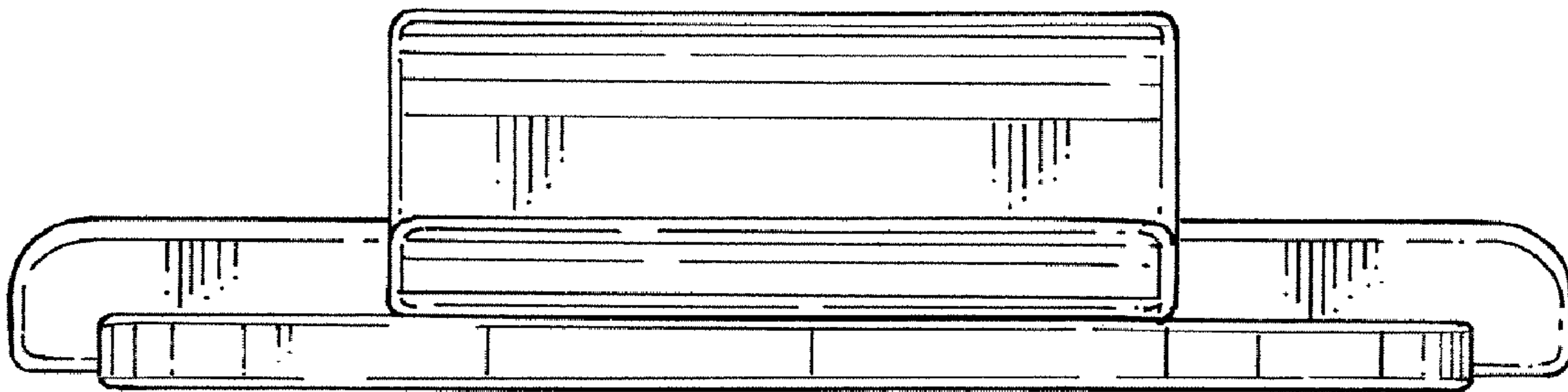


FIG. 6

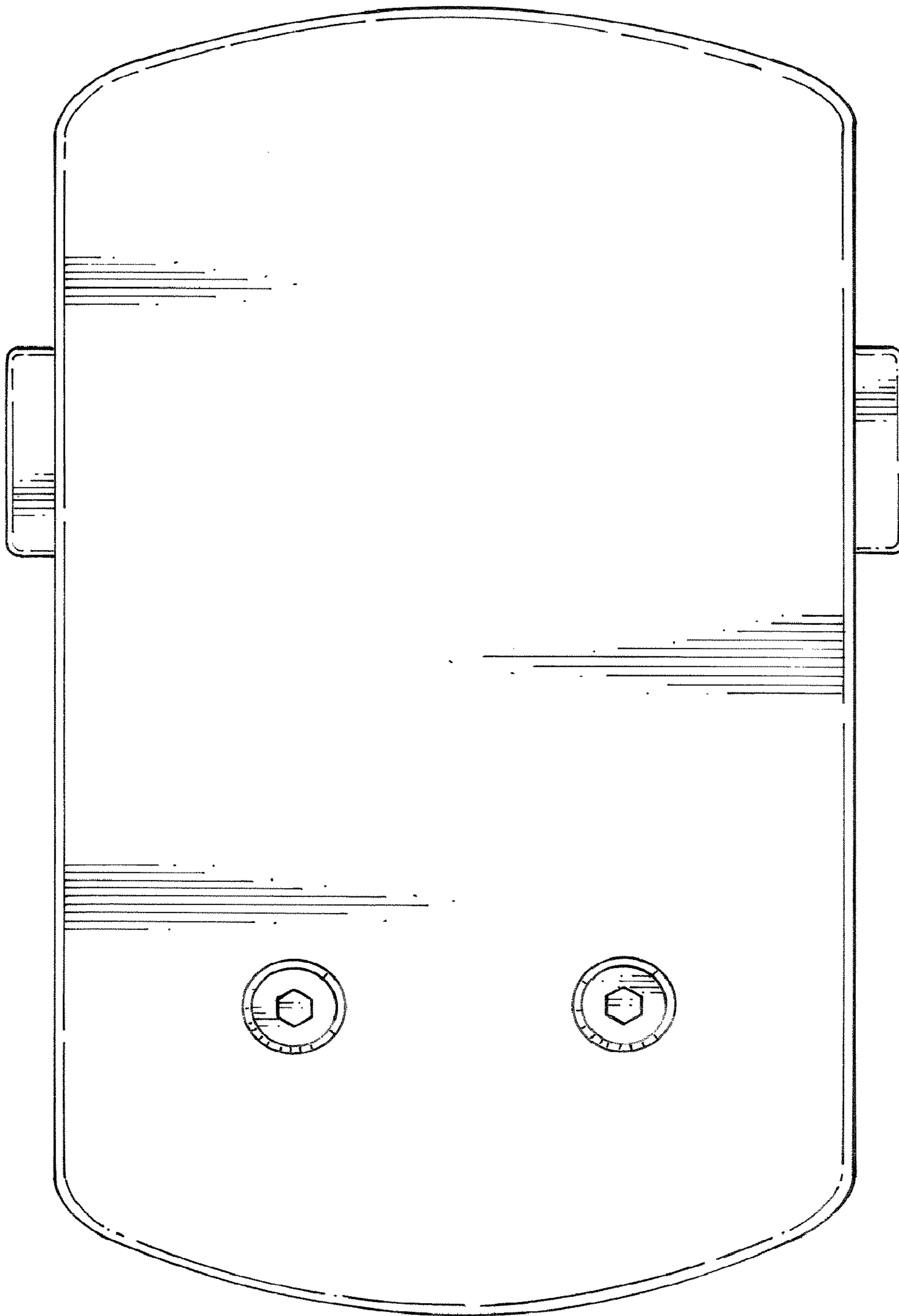


FIG. 7