



US00D601248S

(12) **United States Design Patent**  
**Mros et al.**

(10) **Patent No.:** **US D601,248 S**  
(45) **Date of Patent:** **\*\* Sep. 29, 2009**

(54) **CONNECTOR AND PORT ARRANGEMENT WITH CYLINDRICAL SEGMENT TUBE RETAINERS**

(75) Inventors: **Henry Mros**, Taunton, MA (US); **Peter Martin**, Assonet, MA (US)

(73) Assignee: **Tyco Healthcare Group LP**, Mansfield, MA (US)

(\*\*) Term: **14 Years**

(21) Appl. No.: **29/280,165**

(22) Filed: **May 18, 2007**

(51) **LOC (9) Cl.** ..... **24-02**

(52) **U.S. Cl.** ..... **D24/129**

(58) **Field of Classification Search** ..... D24/129;  
D23/259-260, 265; 128/DIG. 10, DIG. 20,  
128/24, 84, 202.27, 205.24; 285/304-305,  
285/26, 319, 317, 137.1

See application file for complete search history.

(56) **References Cited**

**U.S. PATENT DOCUMENTS**

369,813 A	9/1887	Rader	
1,181,481 A	5/1916	Robinson	
1,578,368 A	3/1926	Robinson	
1,936,015 A	11/1933	Harrell	
2,628,850 A	2/1953	Summerville	
RE29,054 E	11/1976	Lange	
4,253,449 A	3/1981	Arkans et al.	
4,280,485 A	7/1981	Arkans	
4,378,124 A	3/1983	Weirich et al.	
4,478,436 A	10/1984	Hashimoto	
4,801,162 A	1/1989	Rozycki	
4,804,208 A	2/1989	Dye	
D333,293 S *	2/1993	Ashida	..... D13/147
5,219,185 A	6/1993	Oddenino	
5,234,185 A	8/1993	Hoffman et al.	
5,236,227 A	8/1993	Adams et al.	
D357,736 S	4/1995	Dye	
D363,988 S	11/1995	Dye	
D364,459 S	11/1995	Dye	
D364,460 S	11/1995	Dye	
5,478,119 A	12/1995	Dye	
D373,191 S	8/1996	Ribando et al.	

D373,192 S	8/1996	Murphy et al.	
5,588,954 A	12/1996	Ribando et al.	
5,662,500 A	9/1997	Yeah	
5,725,485 A	3/1998	Ribando et al.	
D396,695 S	8/1998	Shen	
5,951,059 A	9/1999	Kitamura	
6,062,244 A	5/2000	Arkans	
D460,046 S	7/2002	Wood	
D460,417 S	7/2002	Wood	
RE38,204 E	7/2003	Kazarian	
6,802,855 B2	10/2004	Ellingboe et al.	
6,827,728 B2	12/2004	Ellingboe et al.	
6,871,878 B2	3/2005	Miros	
6,926,311 B2 *	8/2005	Chang et al.	..... 285/317
D516,514 S	3/2006	Chau et al.	
7,163,531 B2	1/2007	Seese et al.	
2005/0143682 A1	6/2005	Cook et al.	
2005/0184264 A1	8/2005	Tesluk et al.	

\* cited by examiner

*Primary Examiner*—T. Chase Nelson  
*Assistant Examiner*—Eric L Goodman  
(74) *Attorney, Agent, or Firm*—Edward S. Jarmolowicz, Esq.

(57) **CLAIM**

The ornamental design for a connector and port arrangement with cylindrical segment tube retainers, as shown and described.

**DESCRIPTION**

FIG. 1 is a perspective view of a port arrangement and tube retainers of a connector, with the remainder of the connector being shown in phantom;

FIG. 2 is front elevational view thereof, the rear forming no part of the port arrangement and tube retainer design;

FIG. 3 is a right side elevational view thereof, the left side elevational view being a mirror image thereof;

FIG. 4 is a top plan view thereof; and,

FIG. 5 is a bottom plan view thereof.

The phantom lines in the drawings indicate environmental structure which forms no part of the claimed design.

**1 Claim, 5 Drawing Sheets**

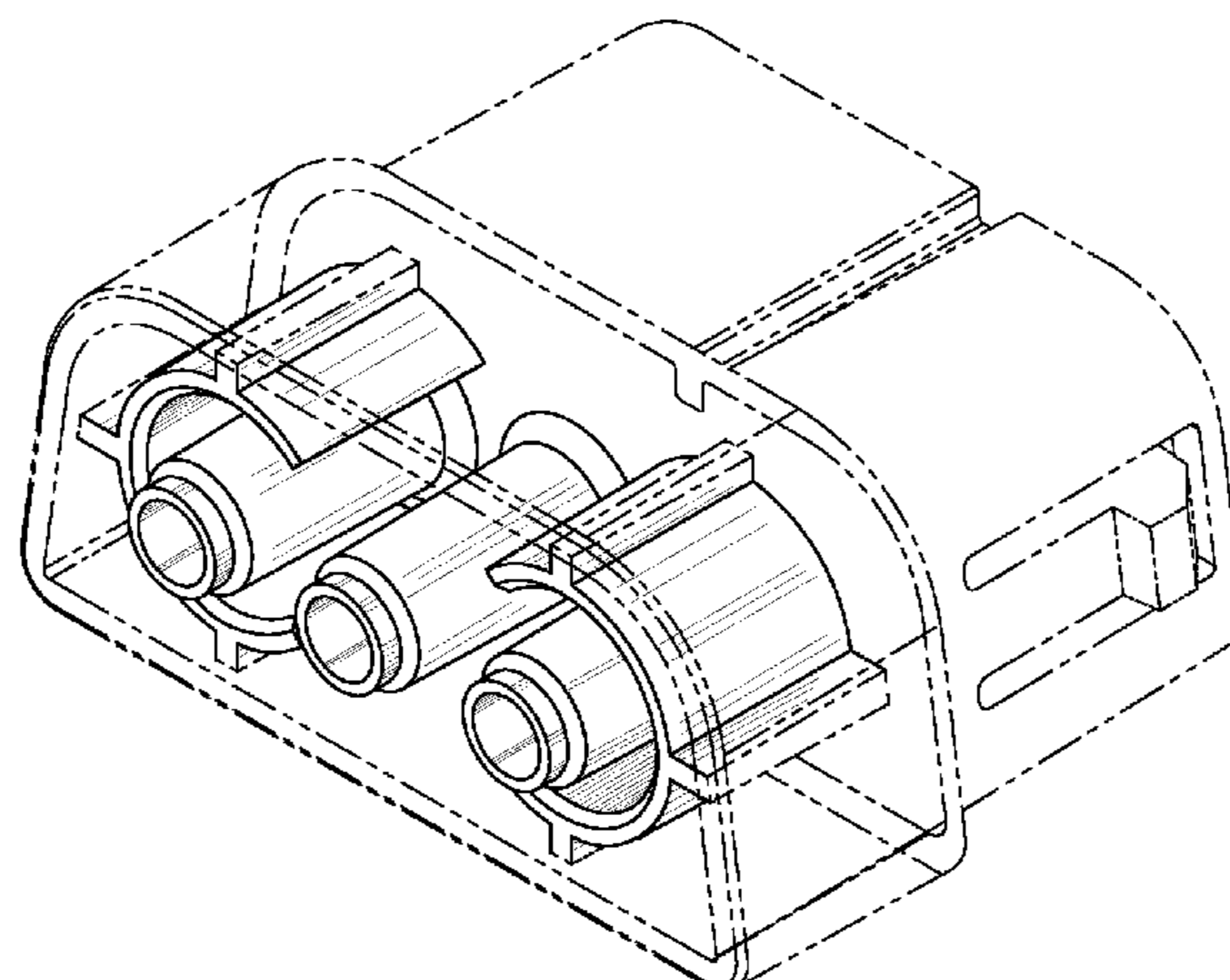


FIG. 1

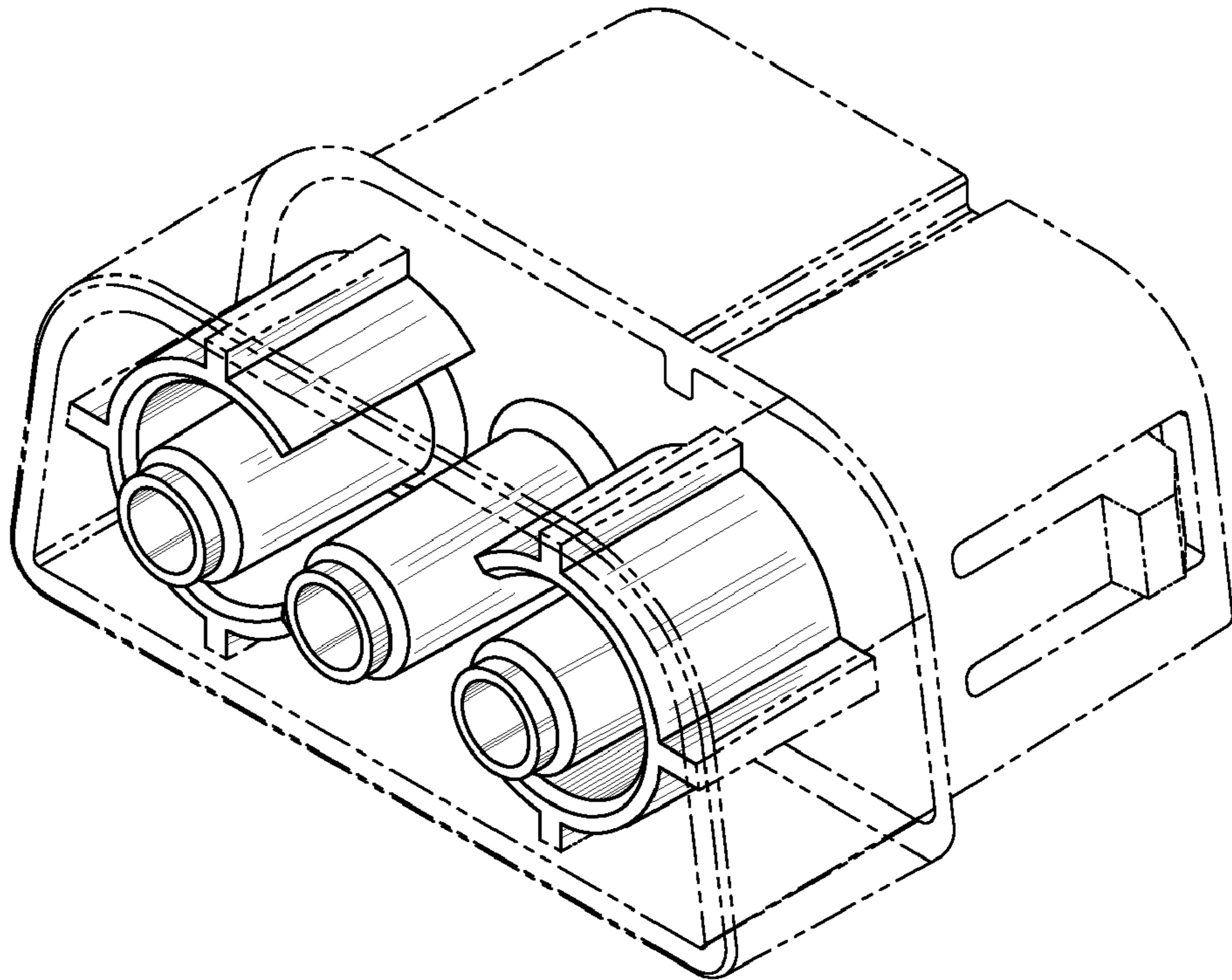


FIG. 2

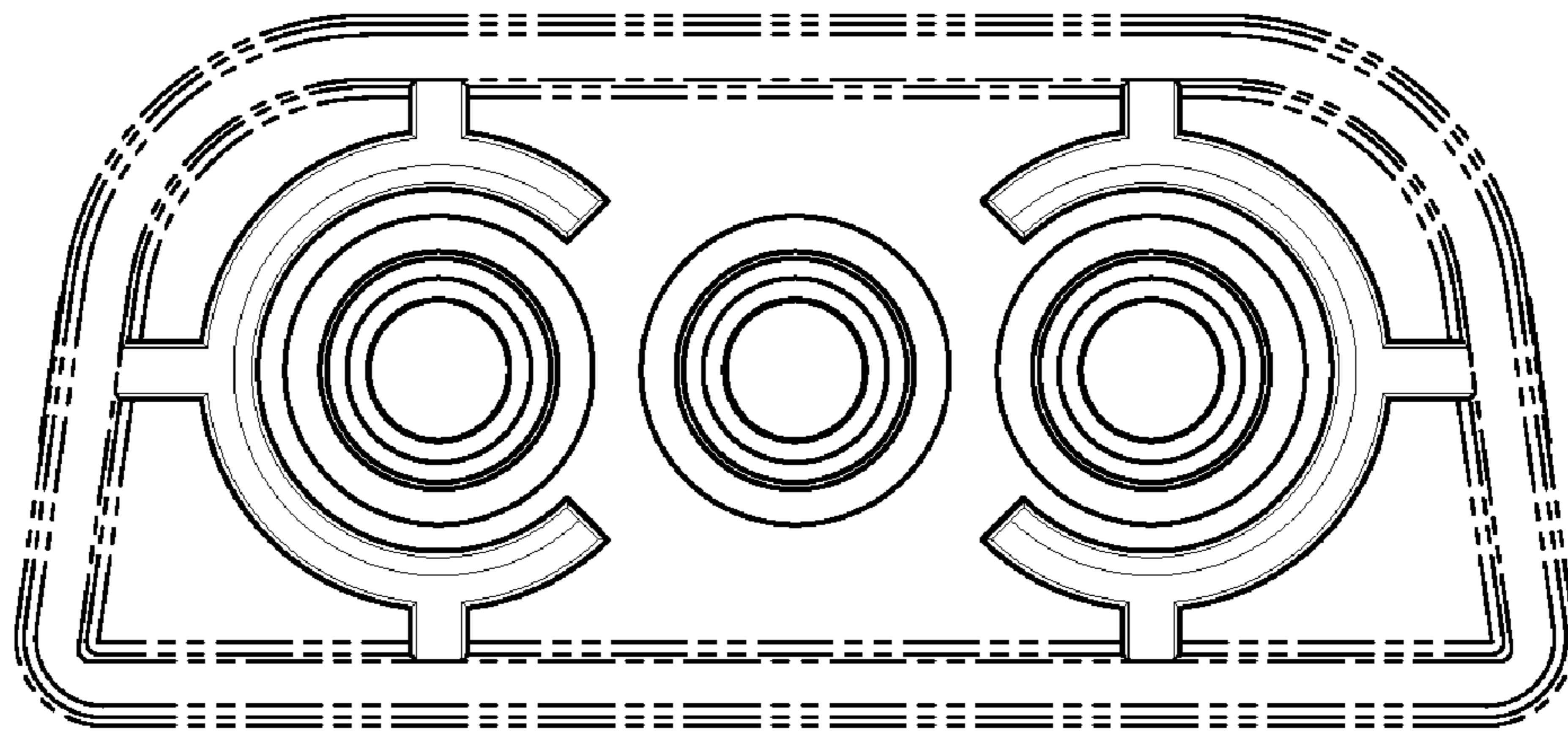


FIG. 3

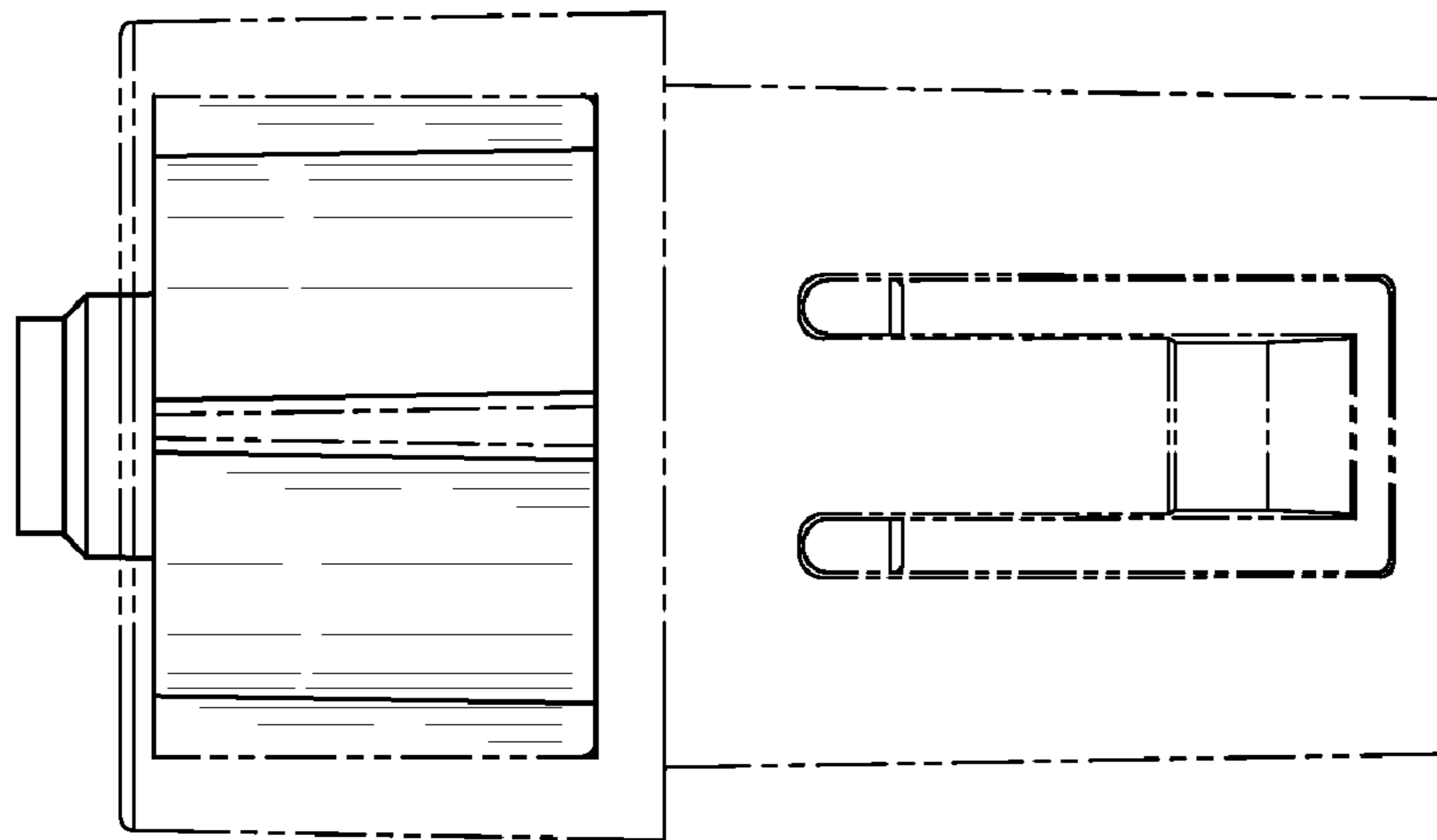


FIG. 4

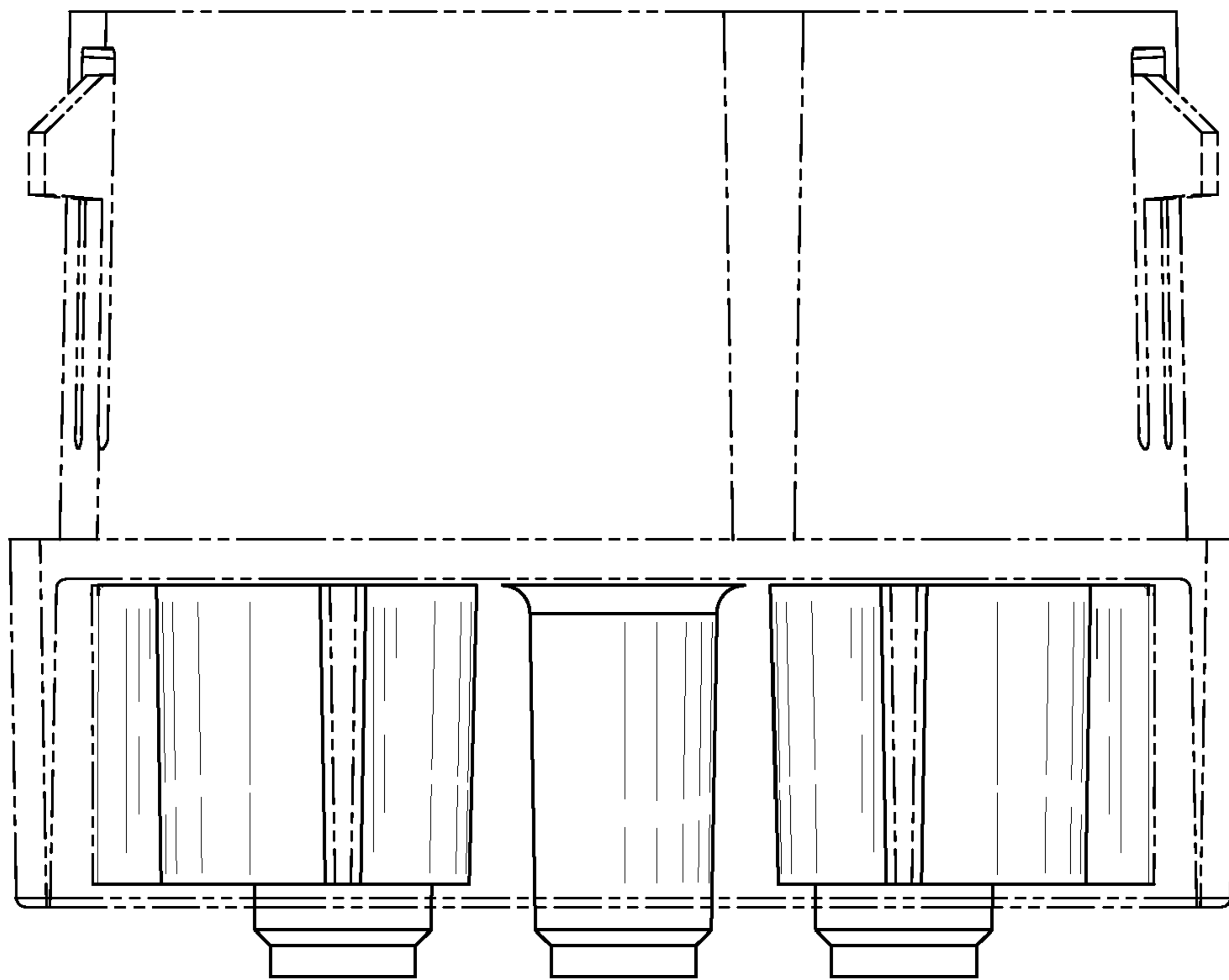


FIG. 5

