



US00D601247S

(12) **United States Design Patent**
Hardin

(10) **Patent No.:** **US D601,247 S**

(45) **Date of Patent:** **** Sep. 29, 2009**

(54) **TISSUE COLLECTION TRAY**

(75) Inventor: **Terry D. Hardin**, Indianapolis, IN (US)

(73) Assignee: **Suros Surgical Systems, Inc.**,
Indianapolis, IN (US)

(**) Term: **14 Years**

(21) Appl. No.: **29/283,627**

(22) Filed: **Aug. 20, 2007**

(51) **LOC (9) Cl.** **24-02**

(52) **U.S. Cl.** **D24/128**

(58) **Field of Classification Search** D24/128,
D24/217, 227, 229; 600/562, 564, 565, 566,
600/567, 571; 206/569; 604/159
See application file for complete search history.

(56) **References Cited**

U.S. PATENT DOCUMENTS

636,735	A	11/1899	Davenport	
3,987,895	A	10/1976	Jamshidi	
4,655,494	A	4/1987	Eads et al.	
D343,687	S *	1/1994	Houghton et al.	D24/229
D346,655	S *	5/1994	Harris	D24/128
5,449,071	A	9/1995	Levy	
6,280,398	B1 *	8/2001	Ritchart et al.	600/564
D450,130	S *	11/2001	Goldstein	D24/227
6,540,694	B1	4/2003	Van Bladel et al.	
6,551,255	B2	4/2003	Van Bladel et al.	
6,719,691	B2 *	4/2004	Kritzman et al.	600/362
6,976,968	B2 *	12/2005	Ritchart et al.	600/567
6,984,213	B2 *	1/2006	Horner et al.	600/564
D557,814	S *	12/2007	Glenn et al.	D24/217
2006/0224083	A1 *	10/2006	Clifford et al.	600/564
2007/0032740	A1 *	2/2007	Quick et al.	600/566
2007/0149893	A1 *	6/2007	Heske et al.	600/566
2007/0203513	A1 *	8/2007	Vetter et al.	606/180
2008/0058672	A1 *	3/2008	Shabaz et al.	600/566

* cited by examiner

Primary Examiner—T. Chase Nelson

Assistant Examiner—Eric L Goodman

(74) *Attorney, Agent, or Firm*—Rader, Fishman & Grauer
PLLC

(57) **CLAIM**

The ornamental design for a tissue collection tray, as shown and described.

DESCRIPTION

FIG. 1 is a perspective view of a tissue collection tray, taken from the left rear side, according to the first embodiment;

FIG. 2 is a perspective view of the tissue collection tray of FIG. 1, taken from the right front side;

FIG. 3 is a rear elevational view of the tissue collection tray of FIG. 1;

FIG. 4 is a front elevational view of the tissue collection tray of FIG. 1;

FIG. 5 is a top plan view of the tissue collection tray of FIG. 1;

FIG. 6 is a bottom plan view of the tissue collection tray of FIG. 1;

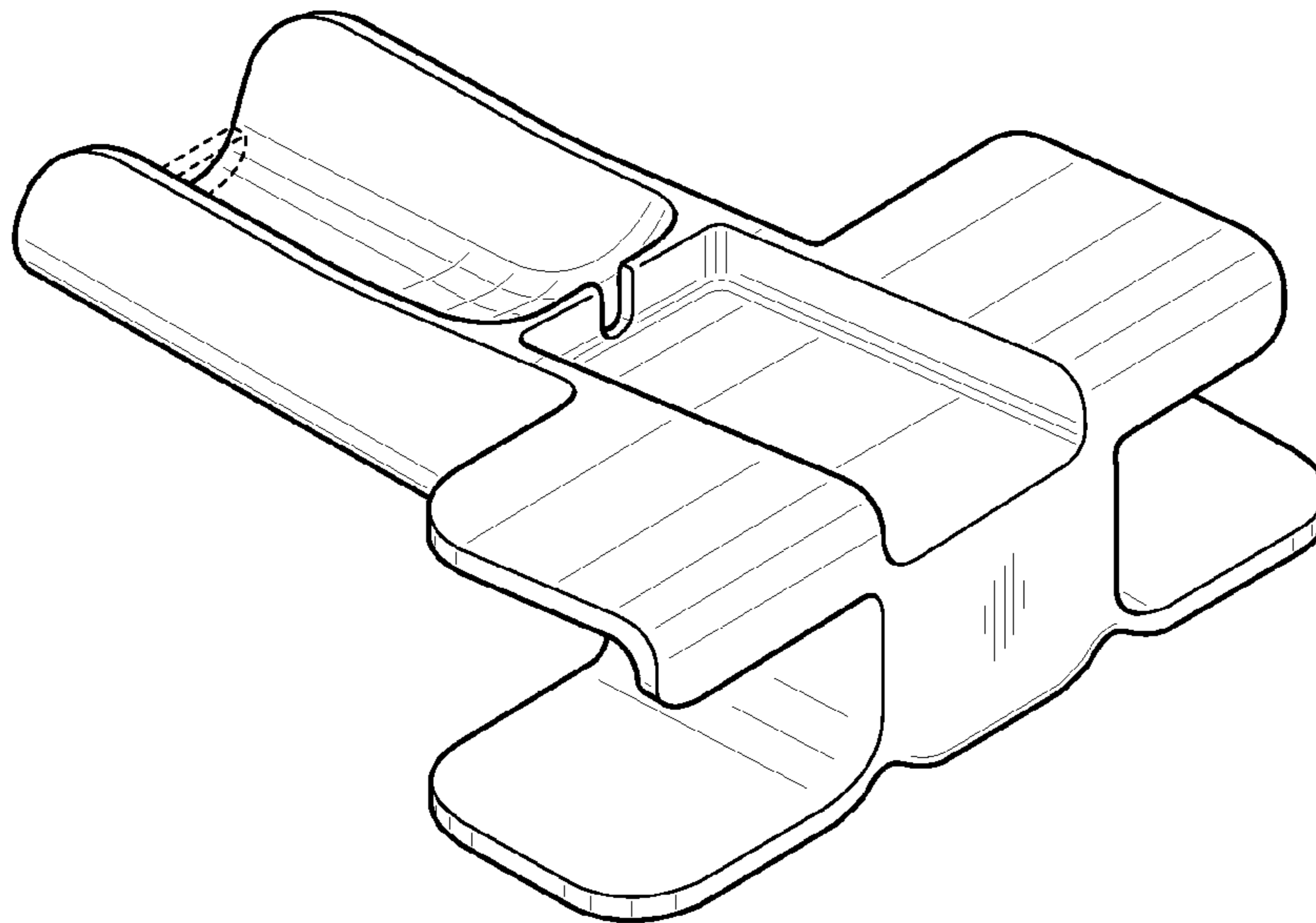
FIG. 7 is a rear elevational view of a second embodiment of the tissue collection tray the top plan view being identical to that which is shown in FIG. 5;

FIG. 8 is a front elevational view of the second embodiment of the tissue collection tray of FIG. 7;

FIG. 9 is a bottom plan view of the second embodiment of the tissue collection tray of FIG. 7; and,

FIG. 10 is a side elevational view of the tissue collection tray of FIG. 1.

1 Claim, 6 Drawing Sheets



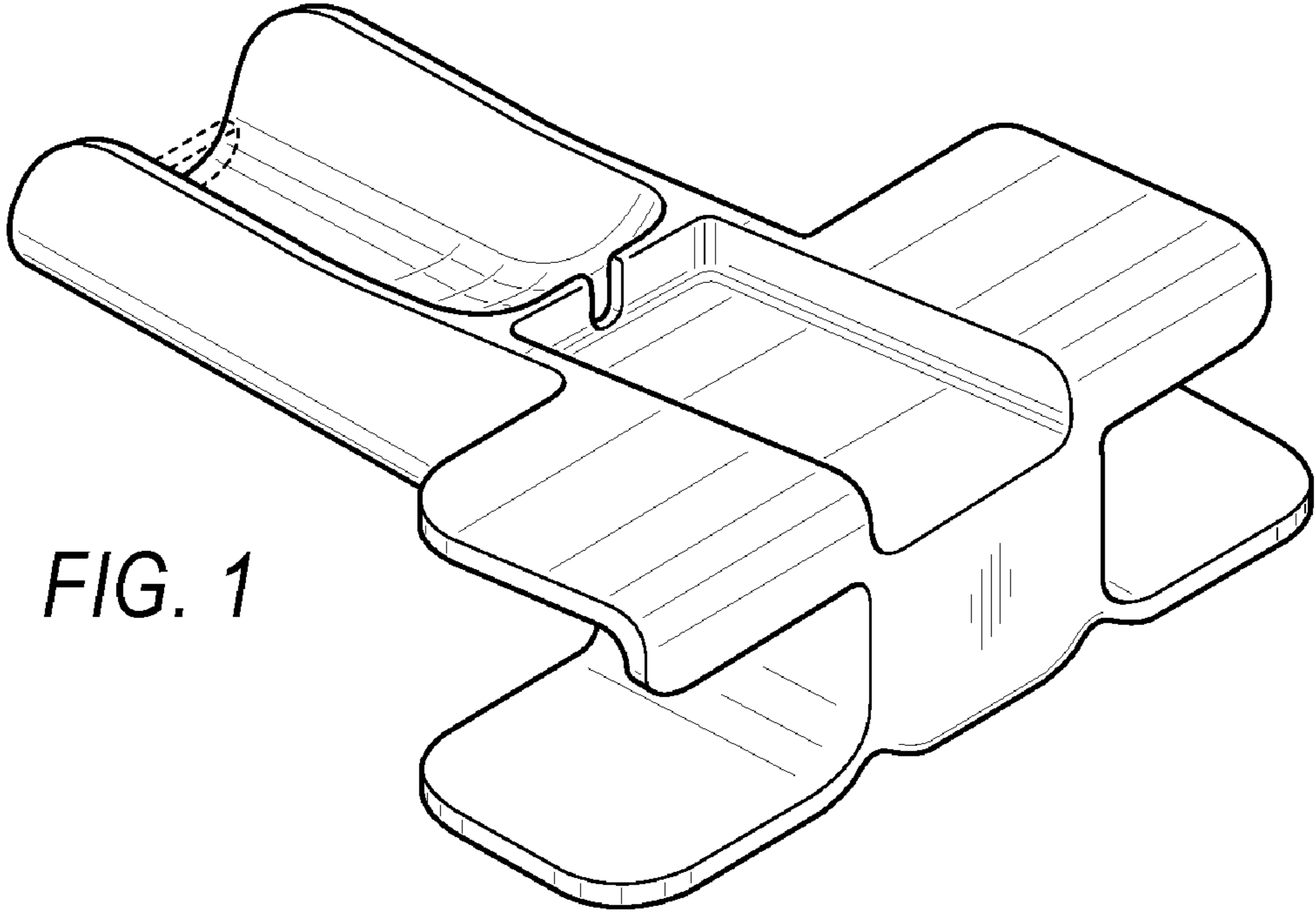


FIG. 1

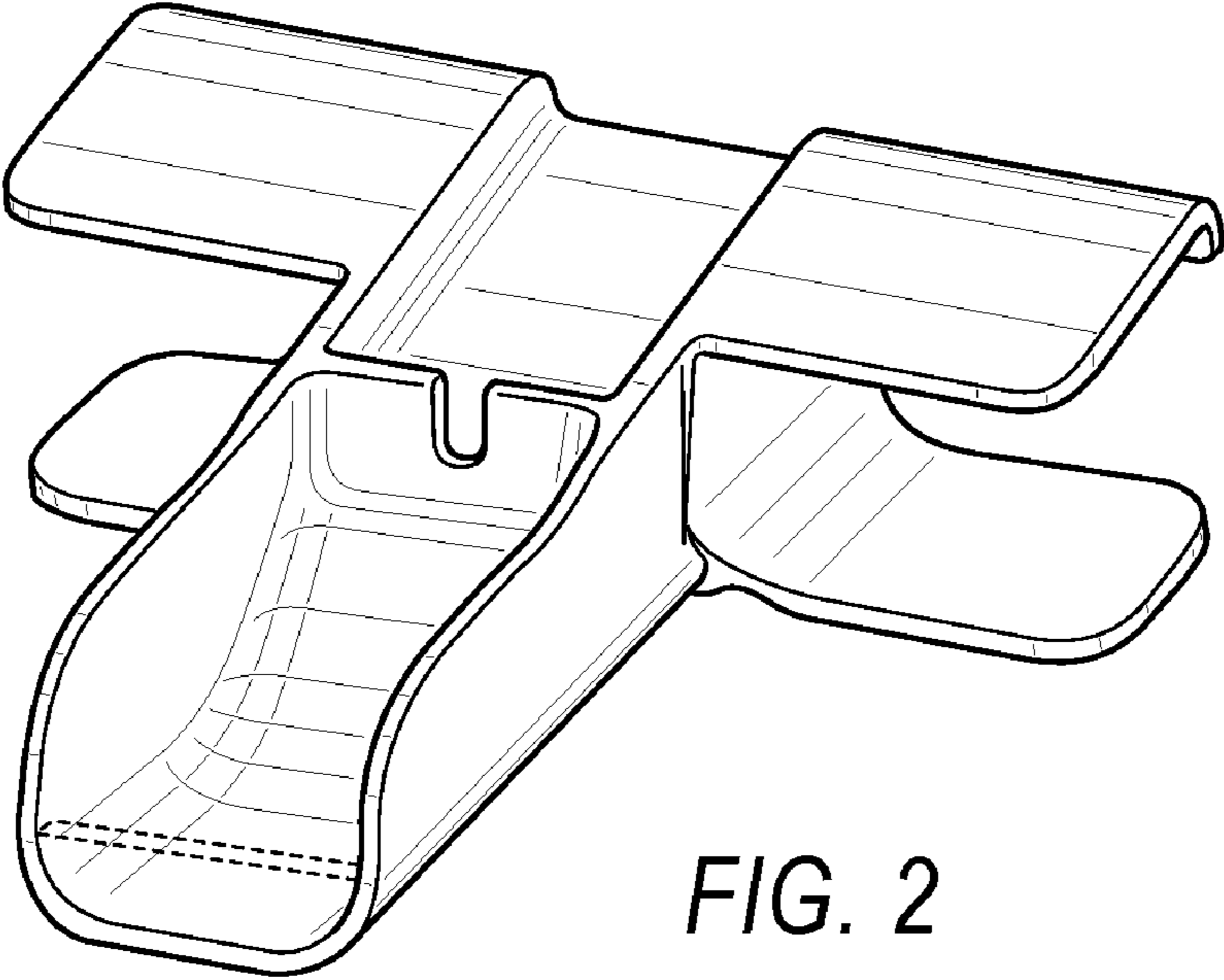


FIG. 2

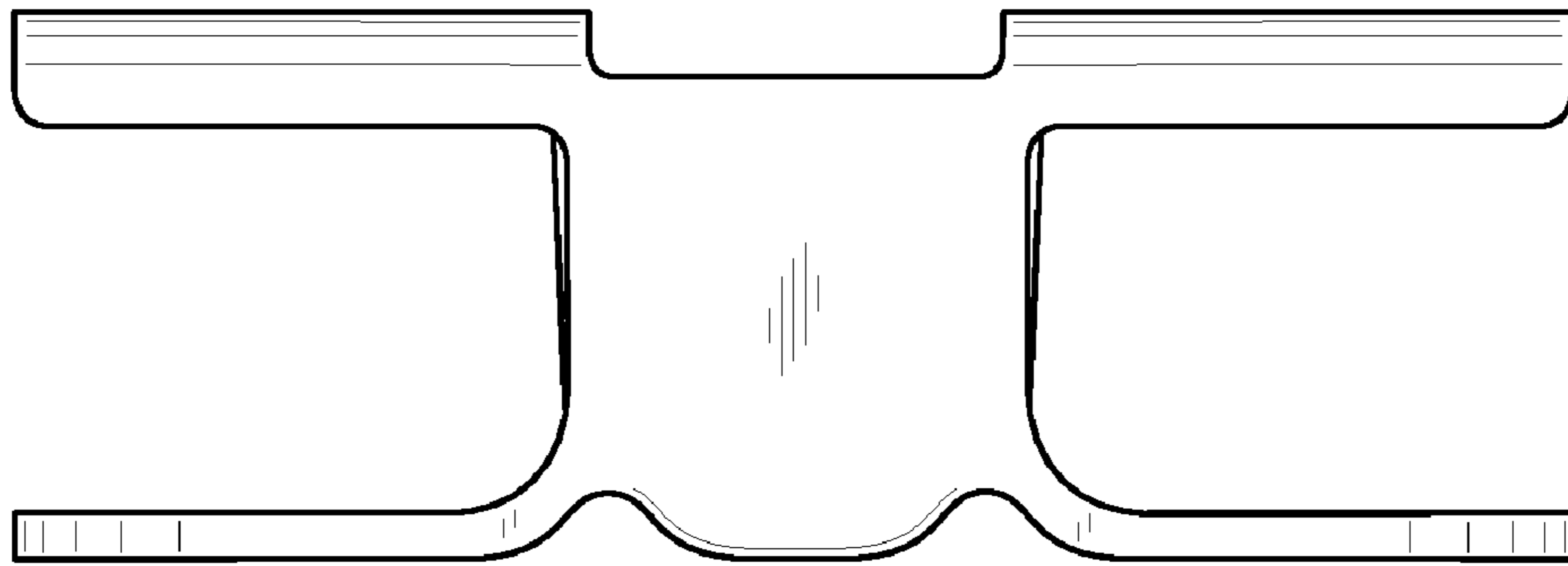


FIG. 3

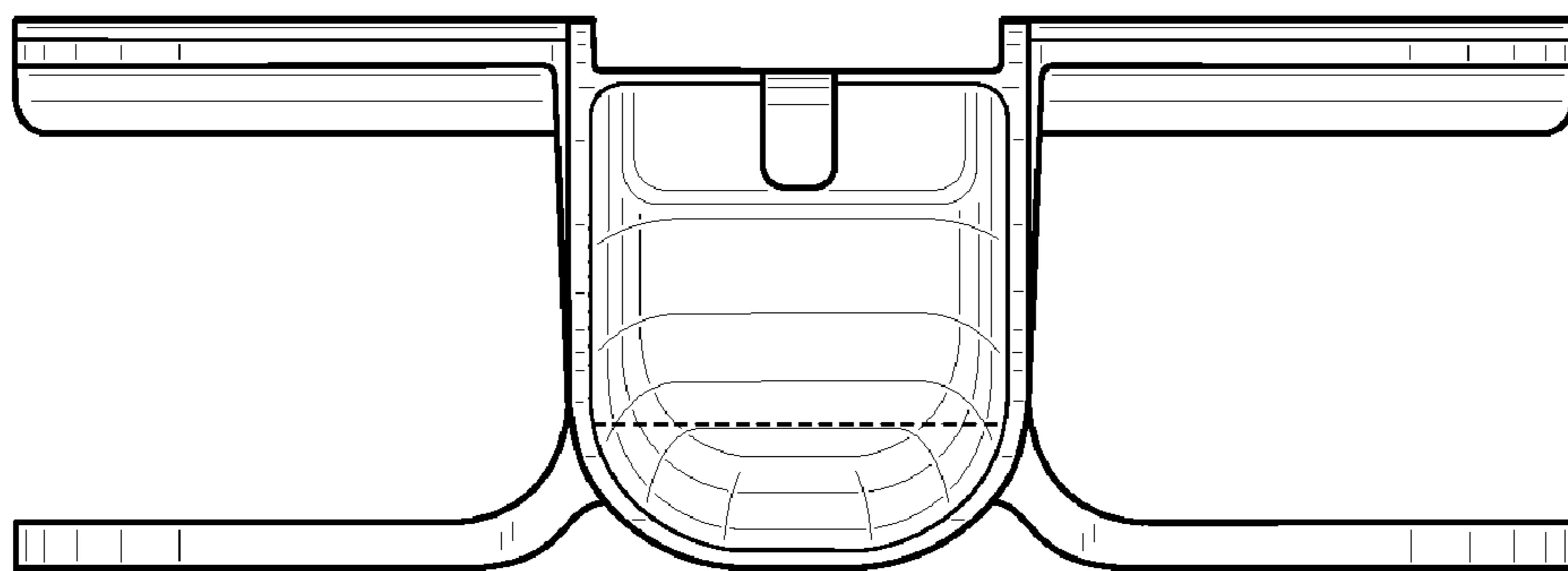


FIG. 4

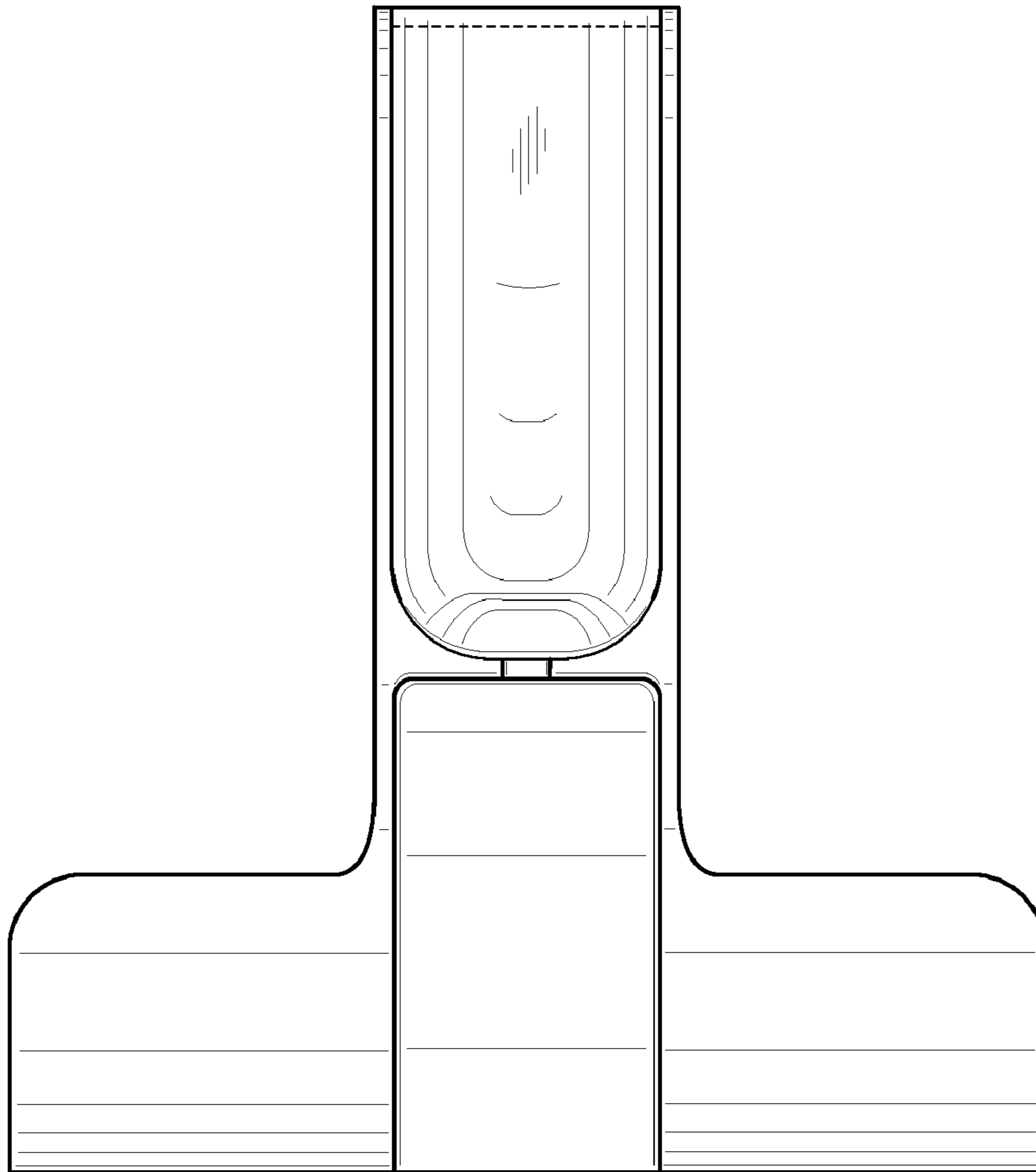


FIG. 5

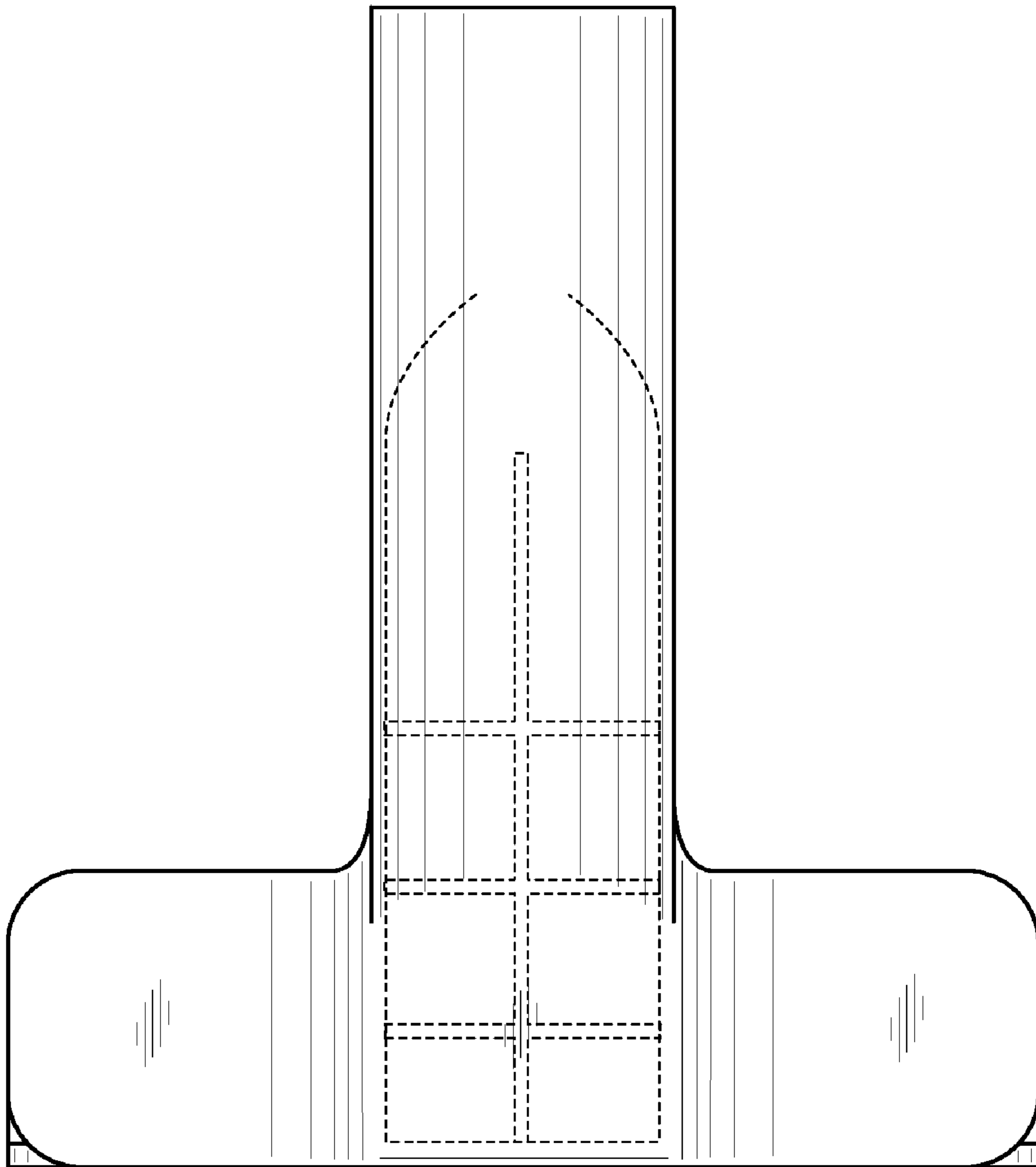


FIG. 6

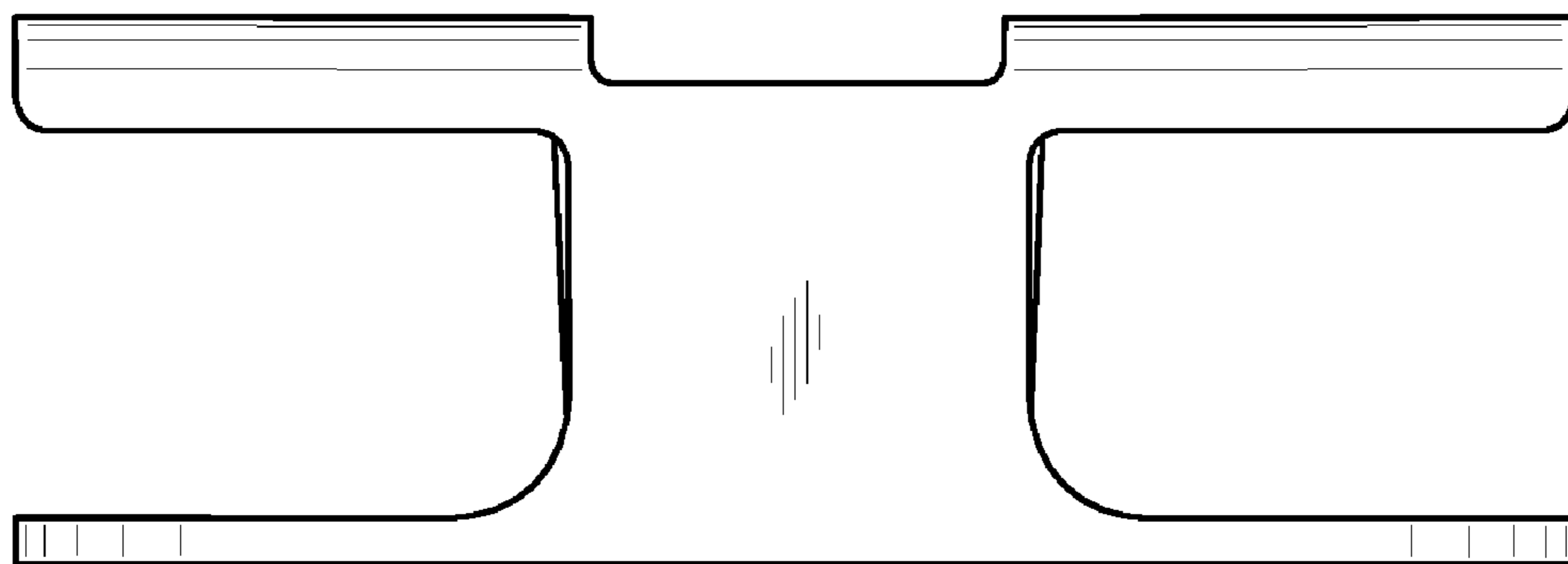


FIG. 7

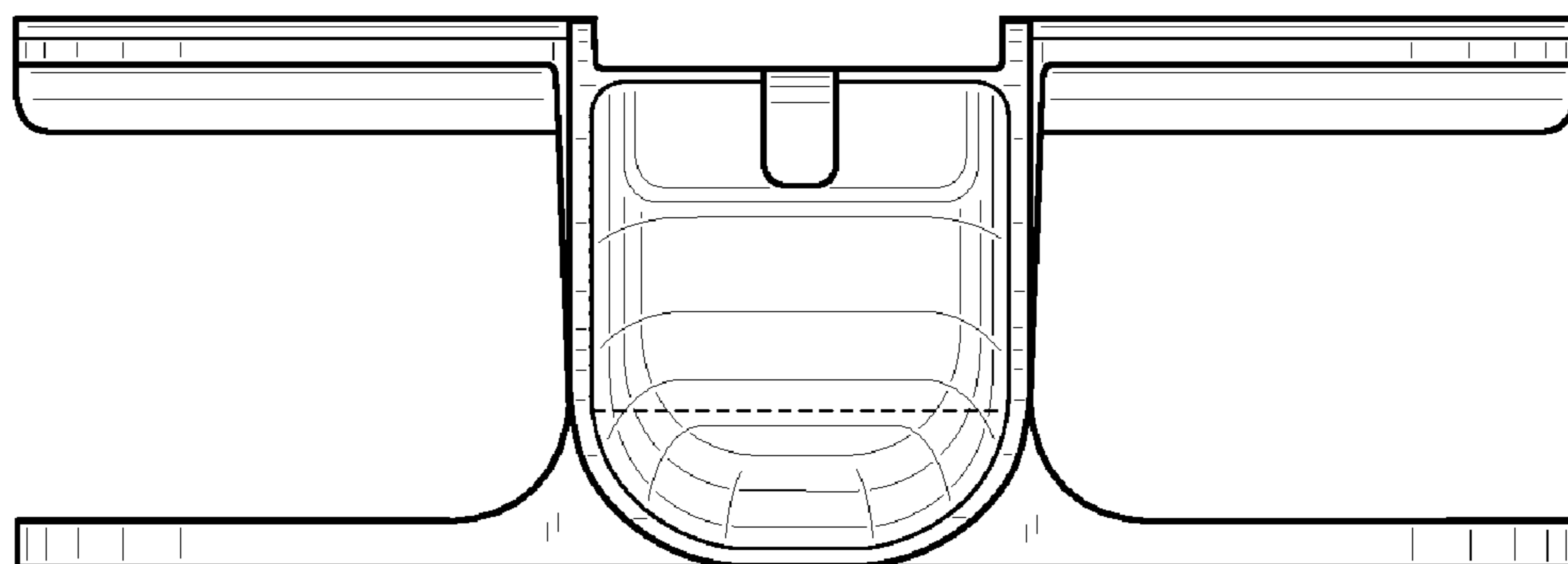


FIG. 8

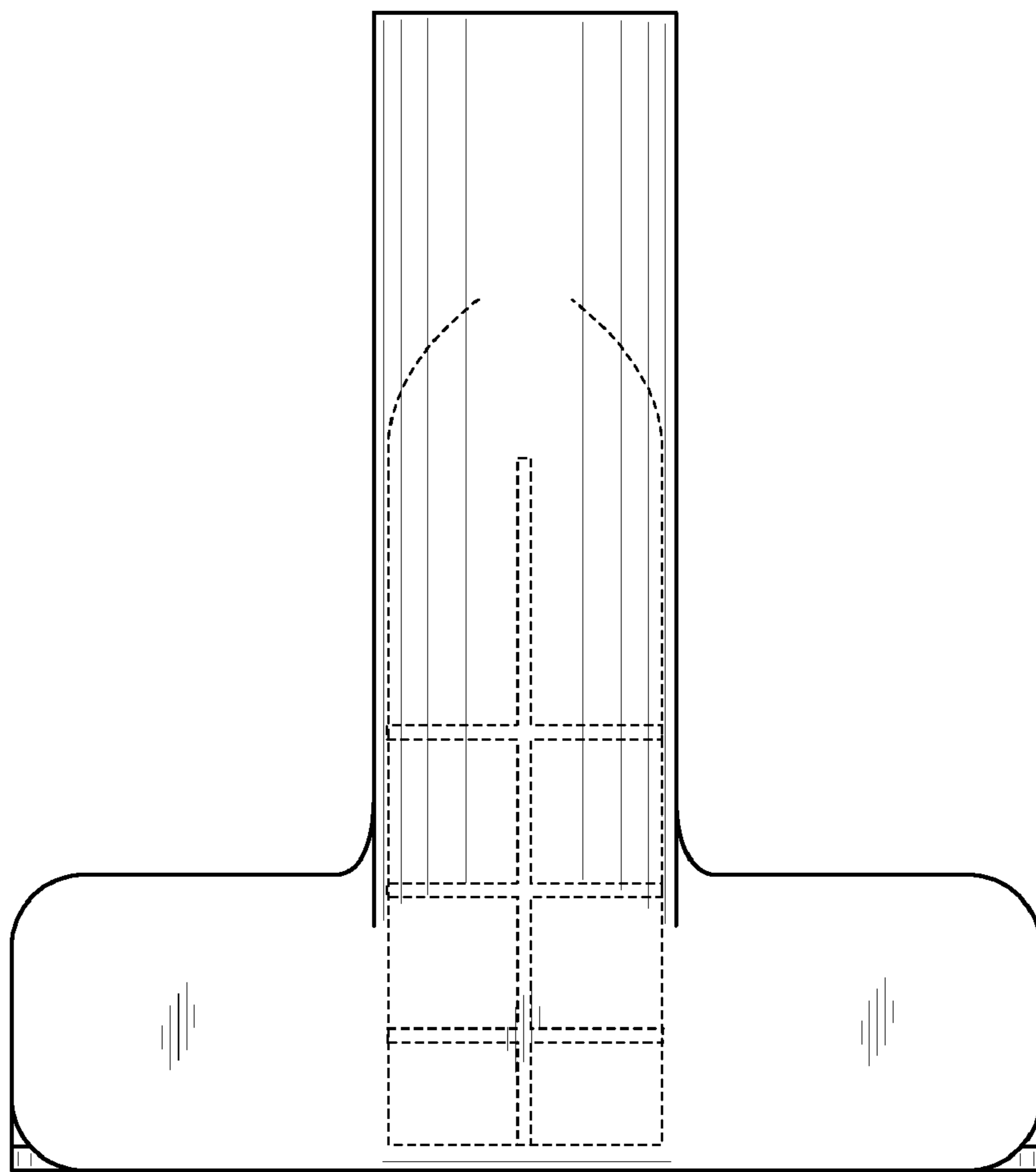


FIG. 9

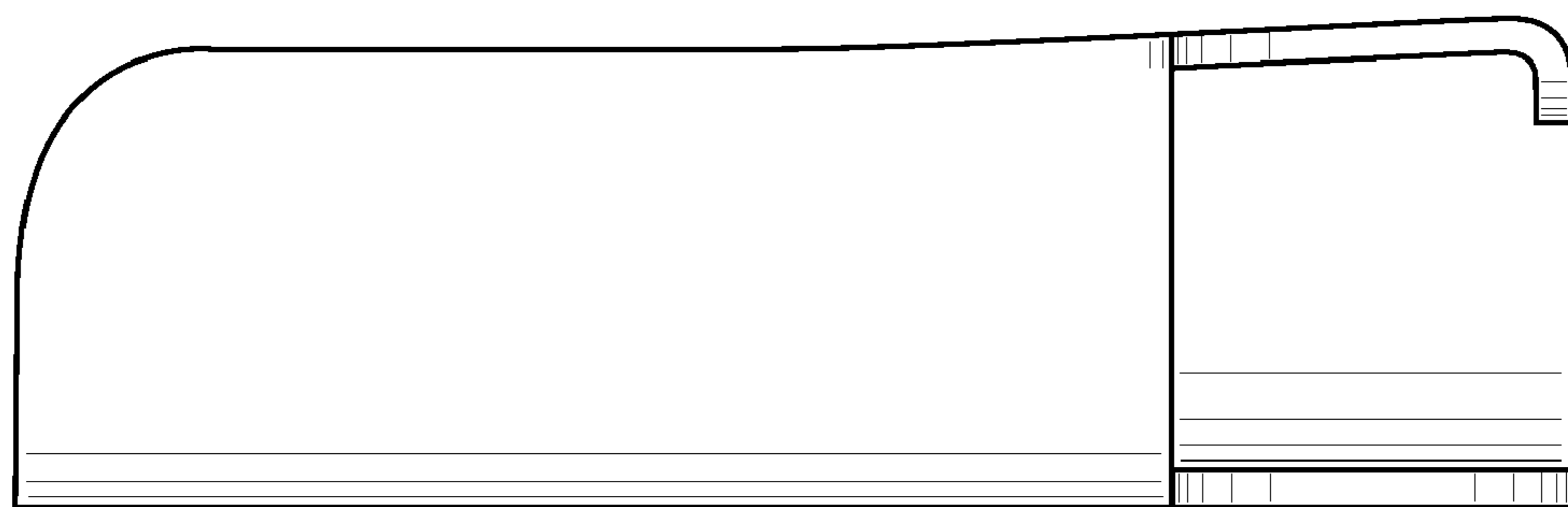


FIG. 10