



US00D601239S

(12) **United States Design Patent**
Hsu

(10) **Patent No.:** **US D601,239 S**

(45) **Date of Patent:** **** Sep. 29, 2009**

(54) **ELECTRIC FAN**

(76) **Inventor:** **Ching-Feng Hsu**, No. 133, Futeh 3 Rd.,
Hsichih City, Taipei Hsien (TW)

(**) **Term:** **14 Years**

(21) **Appl. No.:** **29/311,324**

(22) **Filed:** **Feb. 20, 2009**

(51) **LOC (9) Cl.** **23-04**

(52) **U.S. Cl.** **D23/370**

(58) **Field of Classification Search** D23/370,
D23/379, 411, 413; 416/247 R, 246 R, 63
See application file for complete search history.

(56) **References Cited**

U.S. PATENT DOCUMENTS

6,409,475 B1 * 6/2002 Ho 416/63
D461,552 S * 8/2002 Wright D23/379
D486,902 S * 2/2004 Melwani D23/370

* cited by examiner

Primary Examiner—Lisa P Lichtenstein

(74) *Attorney, Agent, or Firm*—HersHKovitz & Associates,
LLC; Abraham HersHKovitz

(57) **CLAIM**

The ornamental design for an electric fan, as shown and described.

DESCRIPTION

FIG. 1 is a top perspective view of an electric fan showing my new design;

FIG. 2 is a front view thereof;

FIG. 3 is a rear view thereof;

FIG. 4 is a left side view thereof;

FIG. 5 is a right side view thereof;

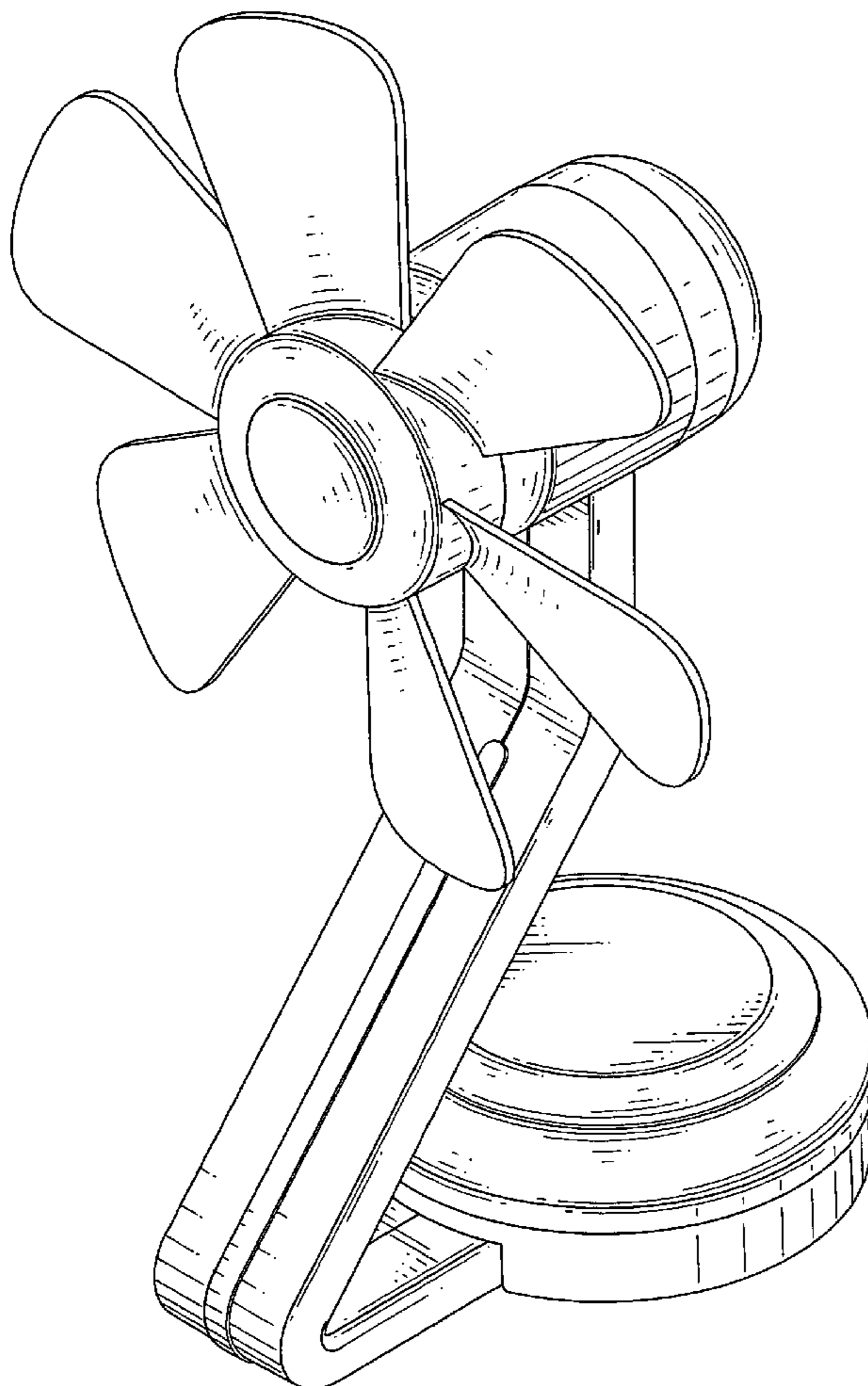
FIG. 6 is top view thereof;

FIG. 7 is a bottom view thereof; and,

FIG. 8 is a bottom perspective view thereof.

The broken lines are shown for illustrative purposes only and form no part of the claimed design.

1 Claim, 7 Drawing Sheets



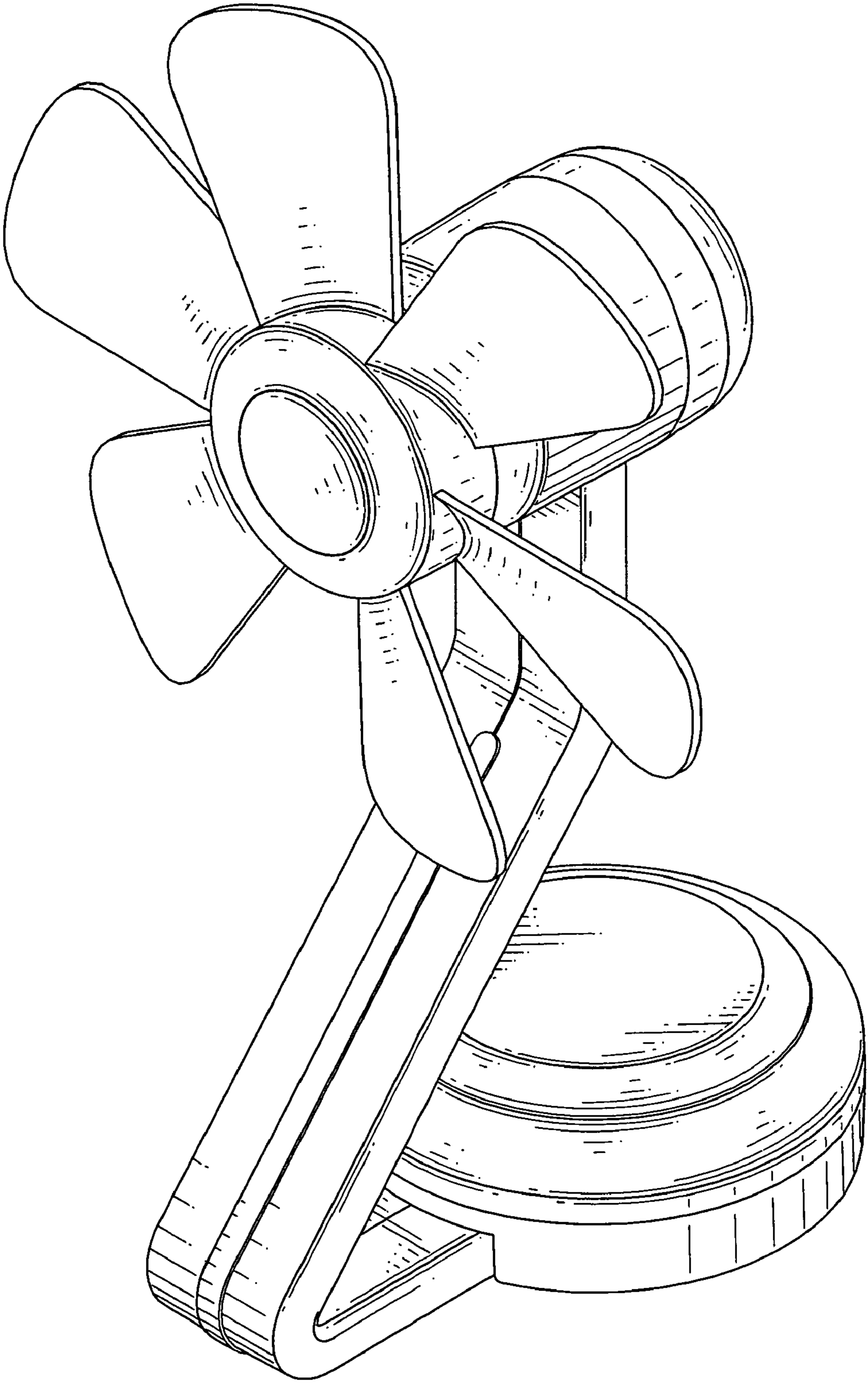


FIG.1

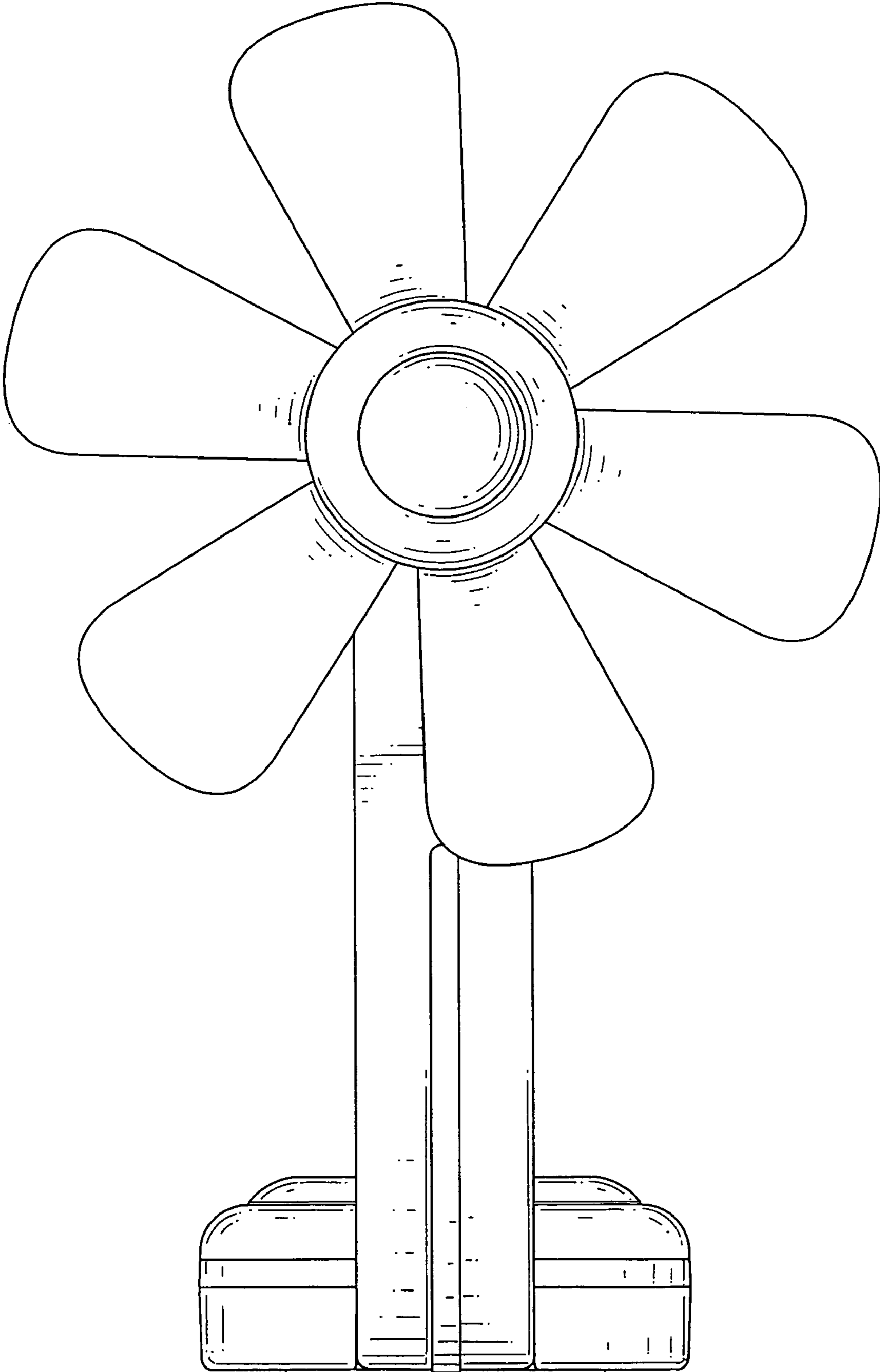


FIG.2

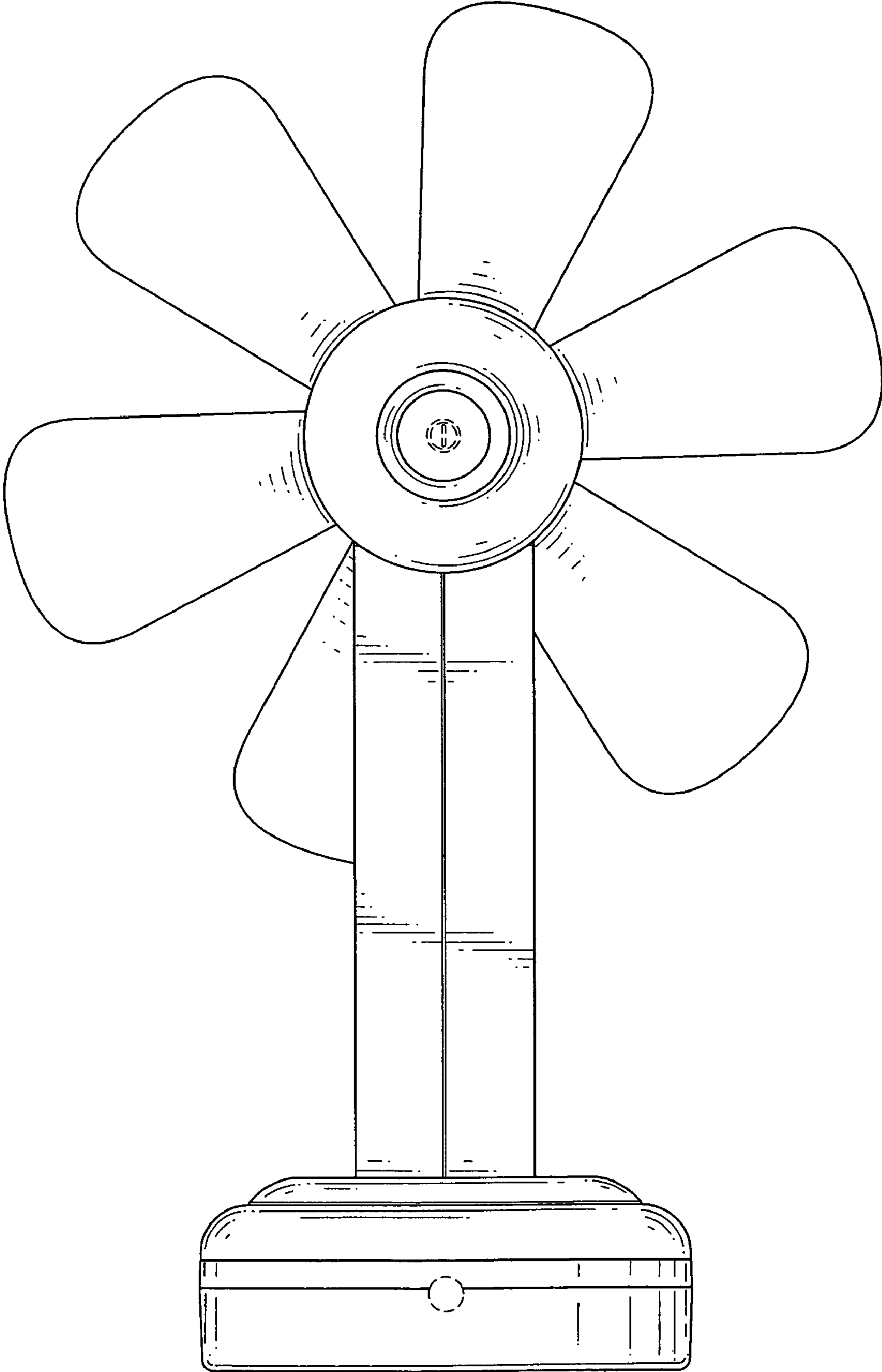


FIG.3

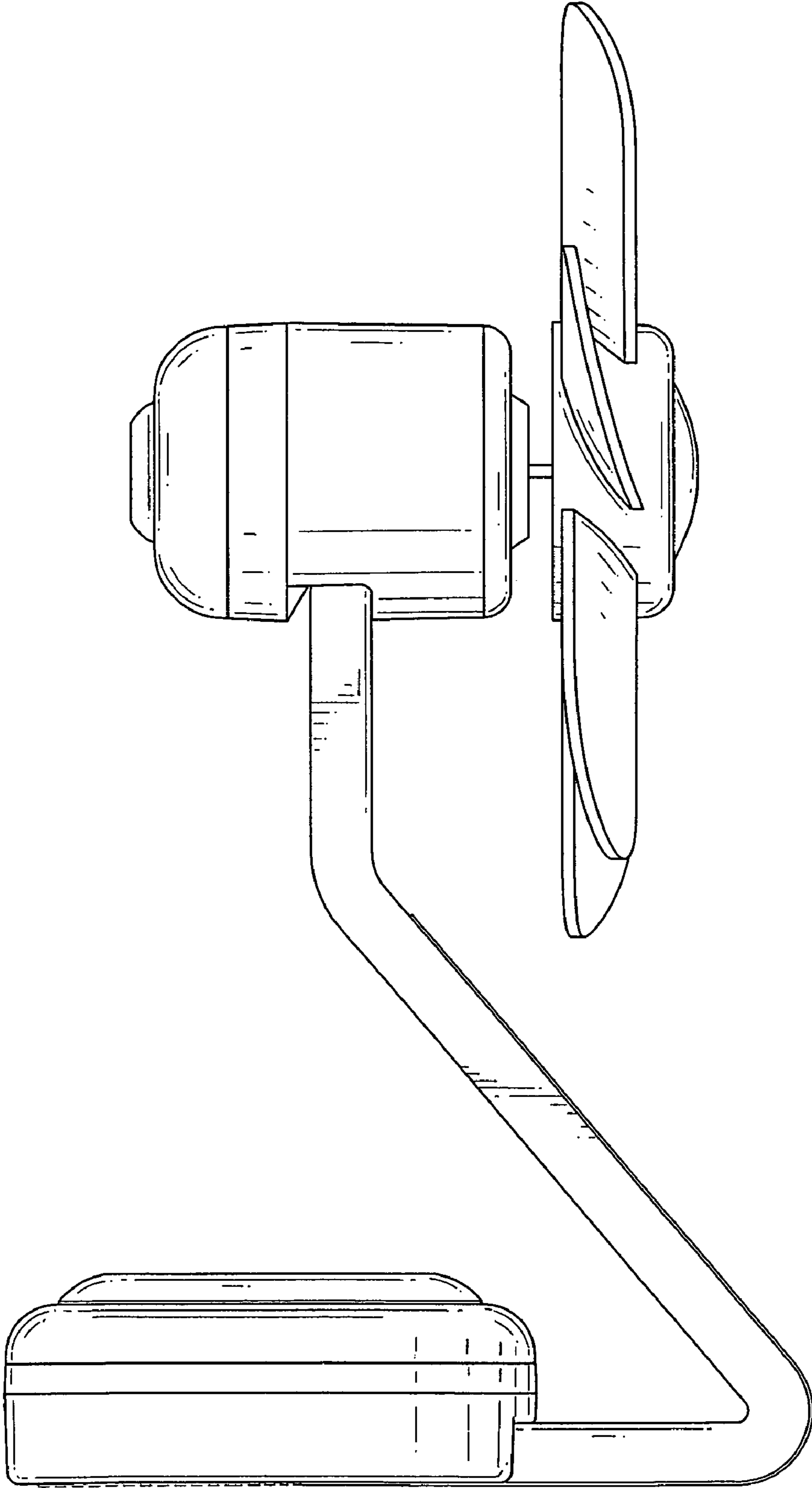


FIG.4

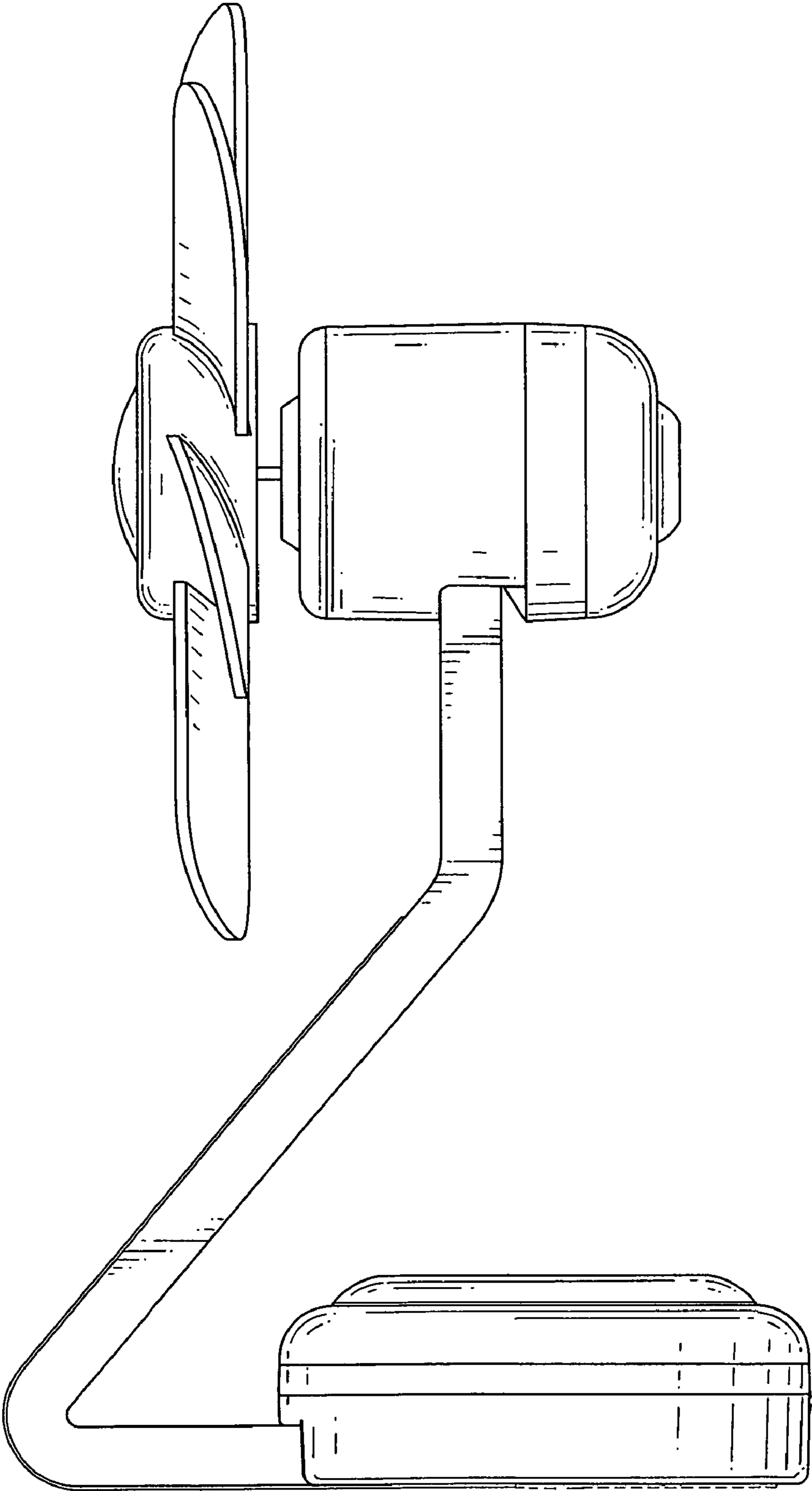


FIG.5

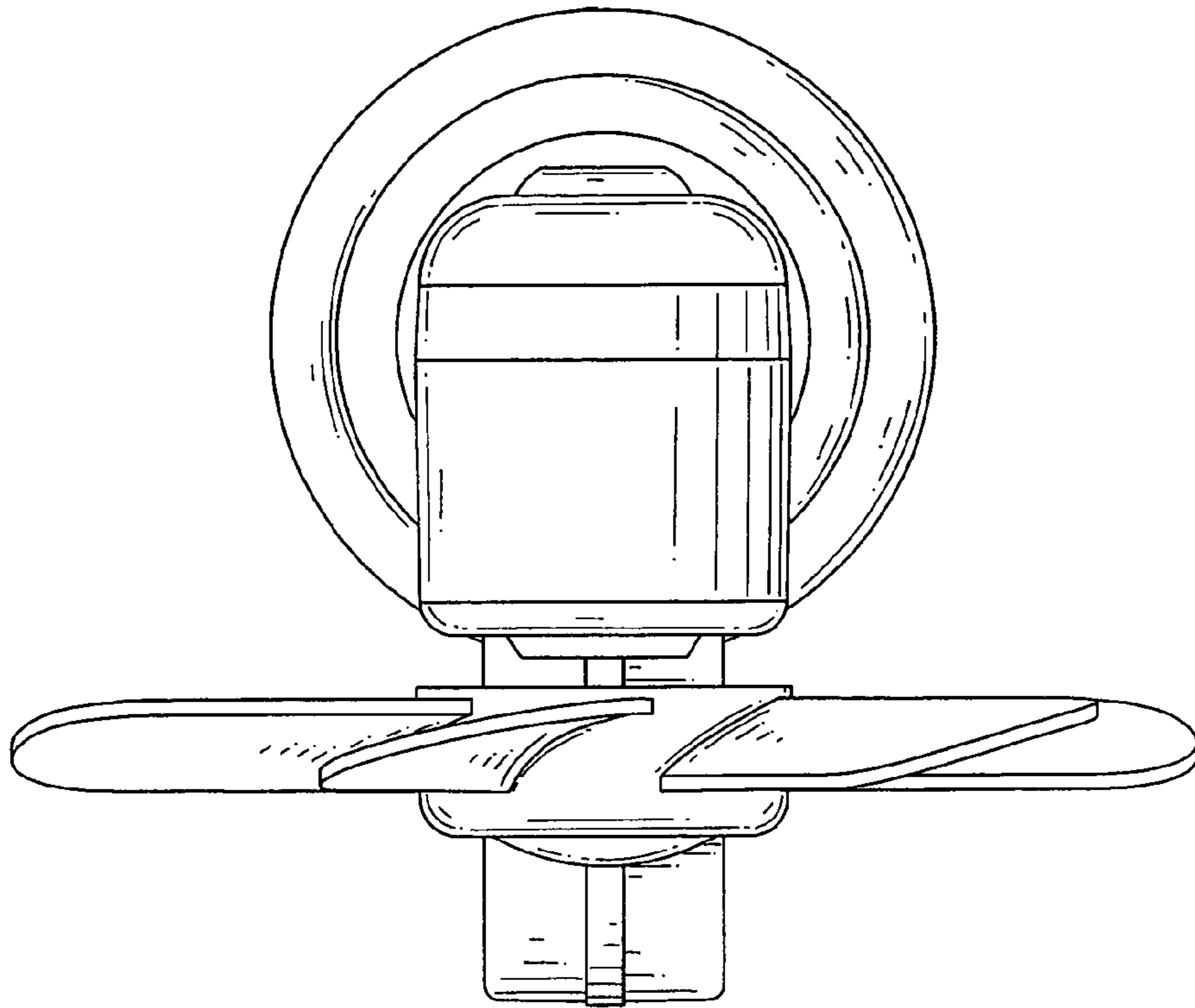


FIG.6

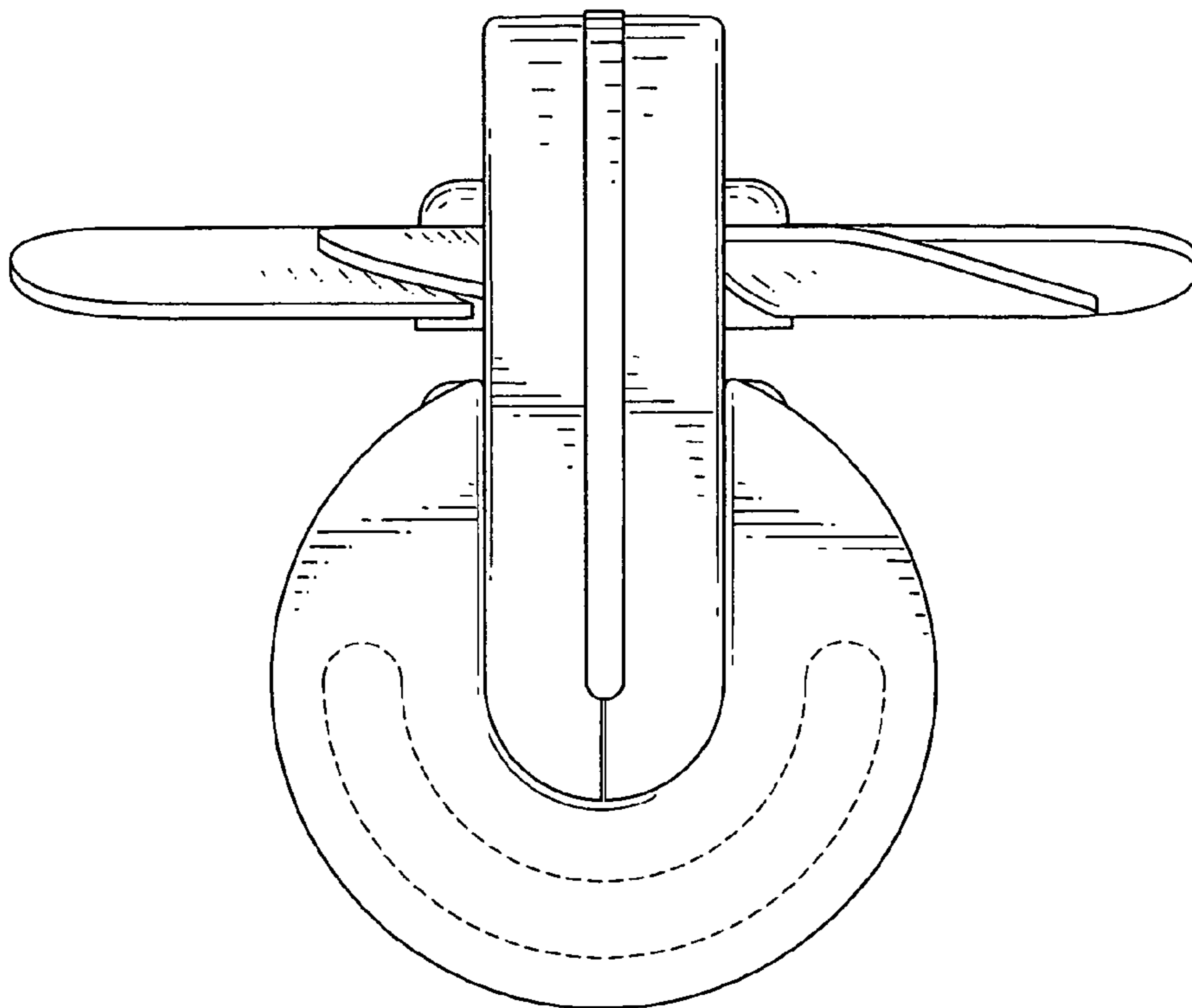


FIG.7

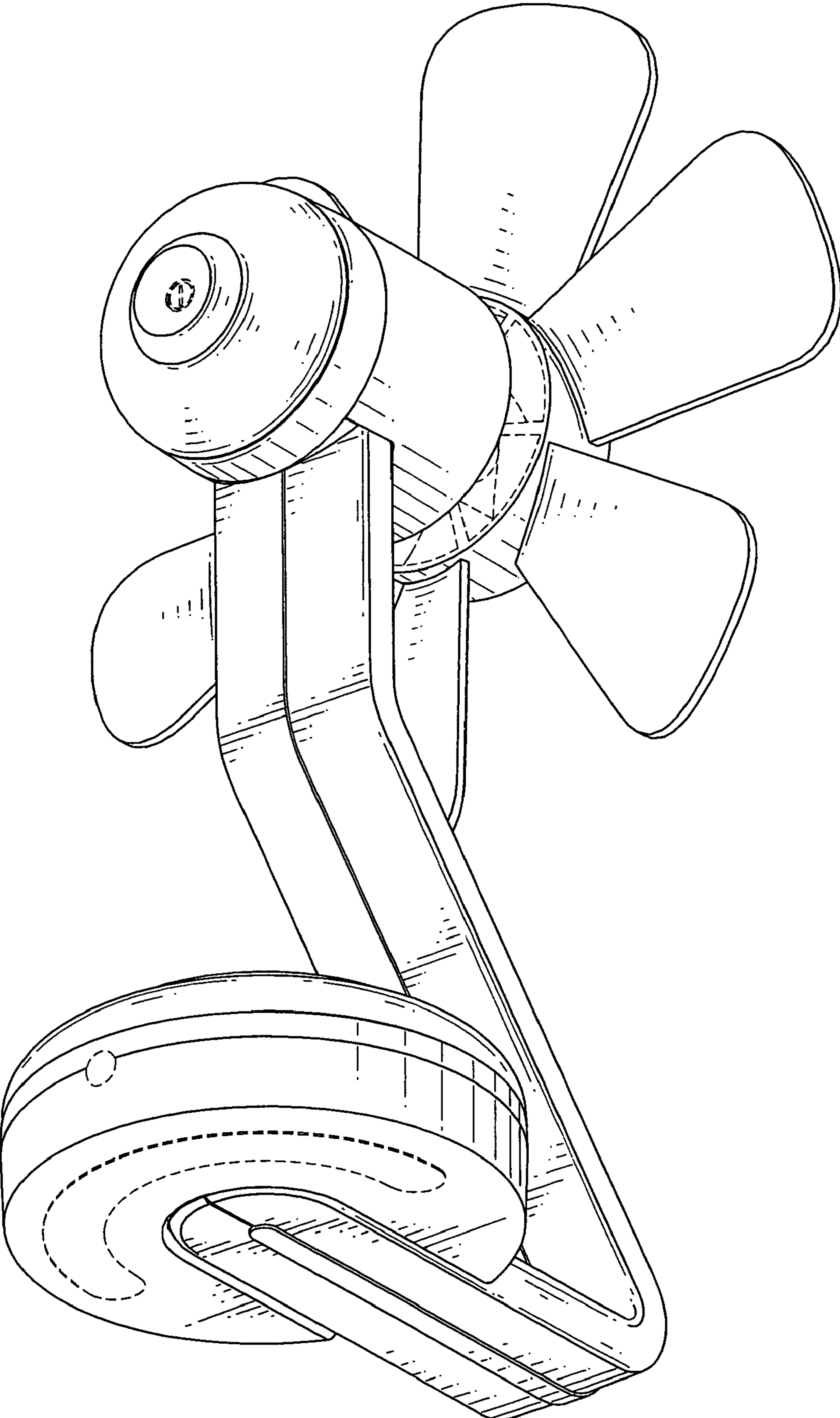


FIG.8