



US00D601237S

(12) **United States Design Patent**  
**Nishio et al.**

(10) **Patent No.:** **US D601,237 S**  
(45) **Date of Patent:** **\*\* Sep. 29, 2009**

(54) **AIR CONDITIONER**

(75) Inventors: **Toshiyuki Nishio**, Kusatsu (JP); **Junji Nakamura**, Kusatsu (JP); **Manabu Katou**, Kusatsu (JP); **Kaichi Tsuji**, Kusatsu (JP); **Yuuichi Murai**, Kusatsu (JP); **Kouichirou Seki**, Kusatsu (JP); **Kentarou Niki**, Kusatsu (JP); **Dai Satou**, Kusatsu (JP); **Yumi Ohta**, Kusatsu (JP); **Hiroko Kashimoto**, Kusatsu (JP); **Masahiko Chouji**, Kusatsu (JP)

(73) Assignee: **Daikin Industries Ltd.**, Osaka, Osaka (JP)

(\*\*) Term: **14 Years**

(21) Appl. No.: **29/290,187**

(22) Filed: **Nov. 1, 2007**

(51) **LOC (9) Cl.** ..... **23-04**

(52) **U.S. Cl.** ..... **D23/354**

(58) **Field of Classification Search** ..... D23/351-354;  
62/259.1, 259.4, 262-263, 285; 312/236;  
165/58; 454/292, 305, 339, 349

See application file for complete search history.

(56) **References Cited**

**U.S. PATENT DOCUMENTS**

D258,083 S \* 1/1981 Gammell ..... D23/354  
D323,209 S \* 1/1992 Fukumoto et al. .... D23/351  
D330,585 S \* 10/1992 Saito et al. .... D23/351  
D331,458 S \* 12/1992 Saito et al. .... D23/351

D362,904 S \* 10/1995 Wulf et al. .... D23/351  
D368,306 S \* 3/1996 Marino et al. .... D23/353  
D401,682 S \* 11/1998 Galeazzi et al. .... D23/351  
D426,292 S \* 6/2000 Nanjo ..... D23/351  
D448,462 S \* 9/2001 Nanjo ..... D23/351  
D469,173 S \* 1/2003 Kawanori et al. .... D23/351  
D539,888 S \* 4/2007 Tsuji ..... D23/351  
D553,727 S \* 10/2007 Kato et al. .... D23/351

\* cited by examiner

*Primary Examiner*—Brian N Vinson

(74) *Attorney, Agent, or Firm*—Manabu Kanesaka

(57) **CLAIM**

The ornamental design for an air conditioner, as shown and described.

**DESCRIPTION**

FIG. 1 is a bottom and side perspective view of an air conditioner showing our new design;

FIG. 2 is a front elevational view thereof;

FIG. 3 is a rear elevational view thereof;

FIG. 4 is a elevational view thereof, the rear being a mirror image of that shown; and,

FIG. 5 is a side elevational view thereof, the side opposite being a mirror image of that shown.

The broken-line disclosure in the views is understood to be the unclaimed portion of the air conditioner in which the claimed design is embodied, but which forms no part of the claimed design.

**1 Claim, 3 Drawing Sheets**

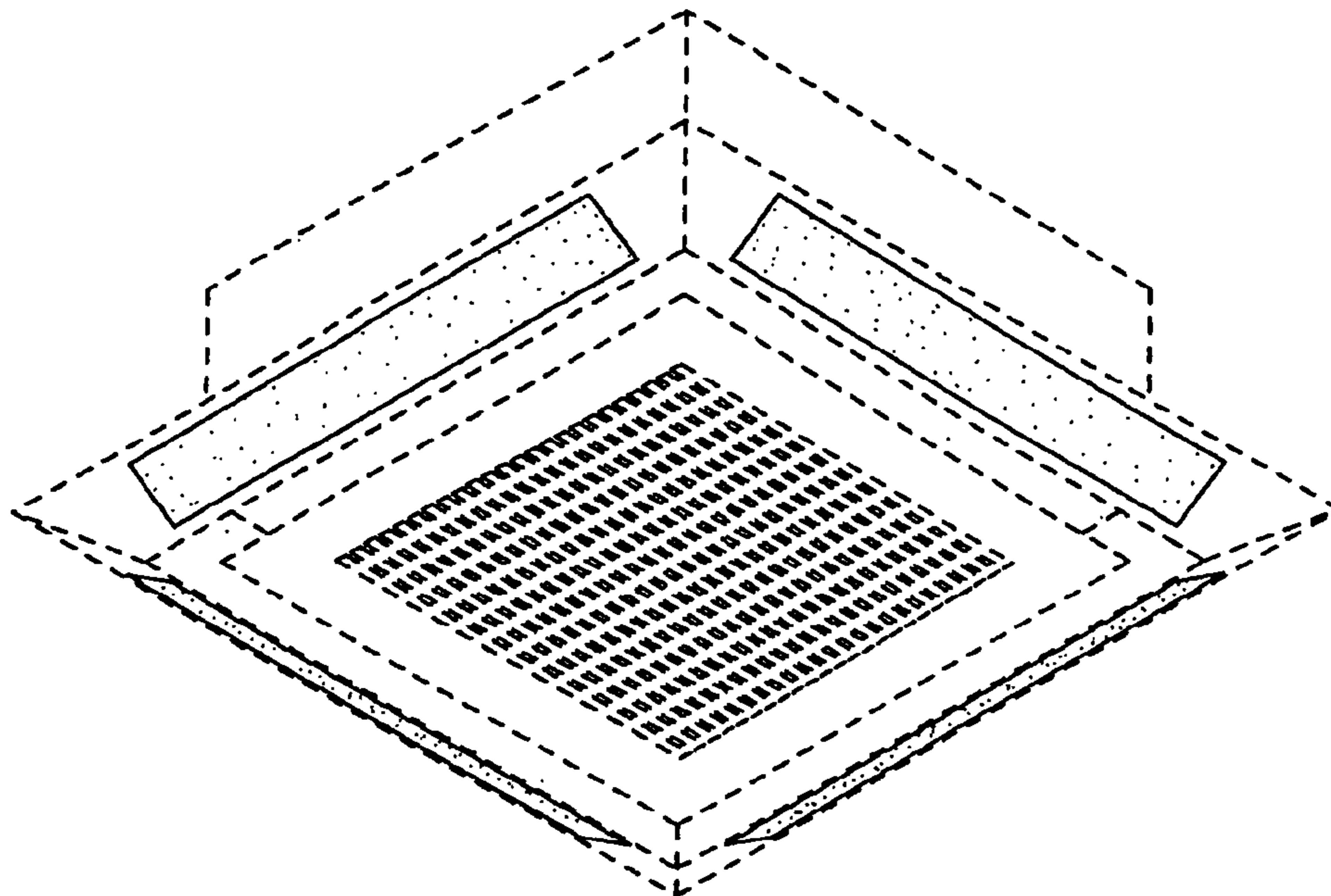


Fig. 1

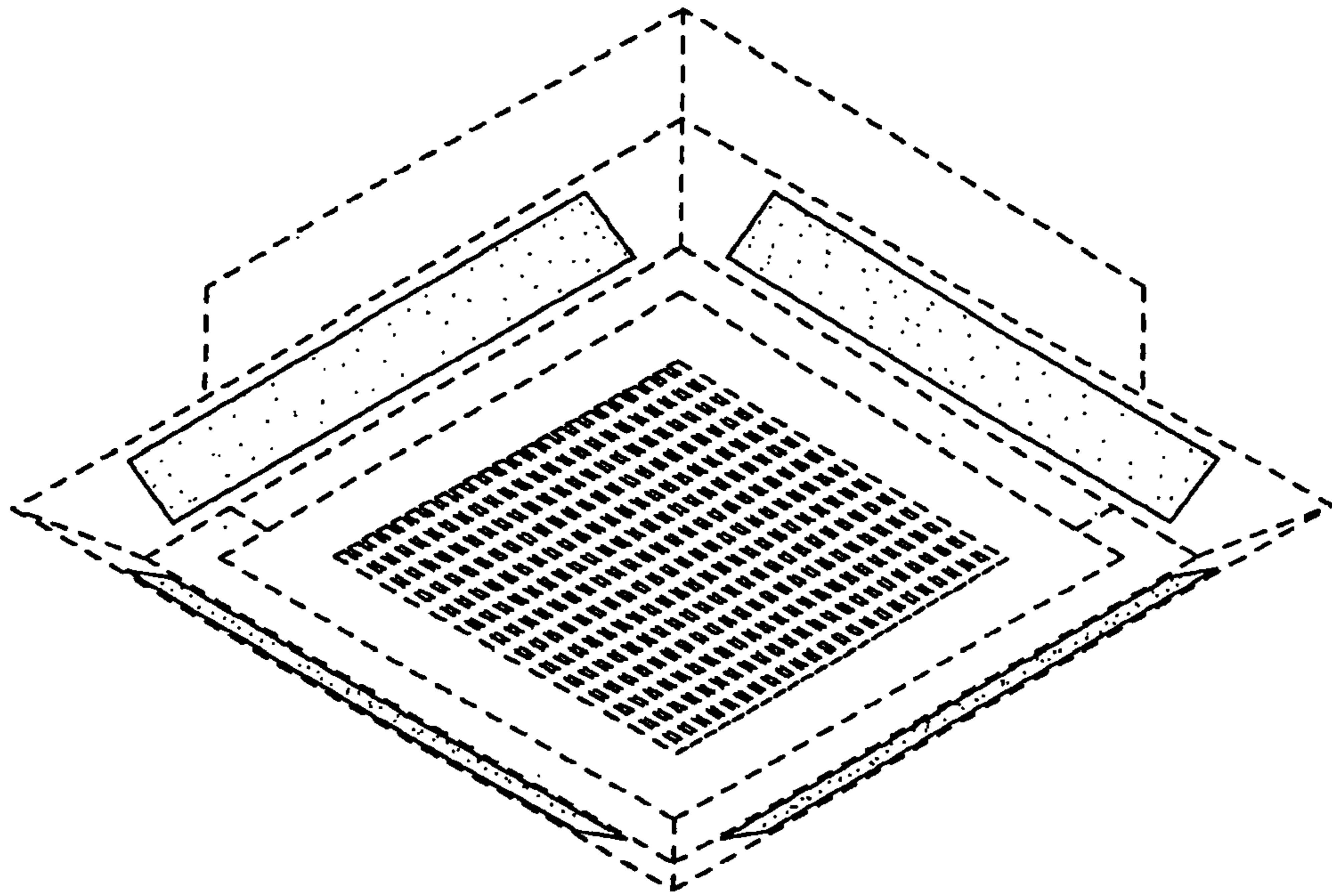


Fig. 2

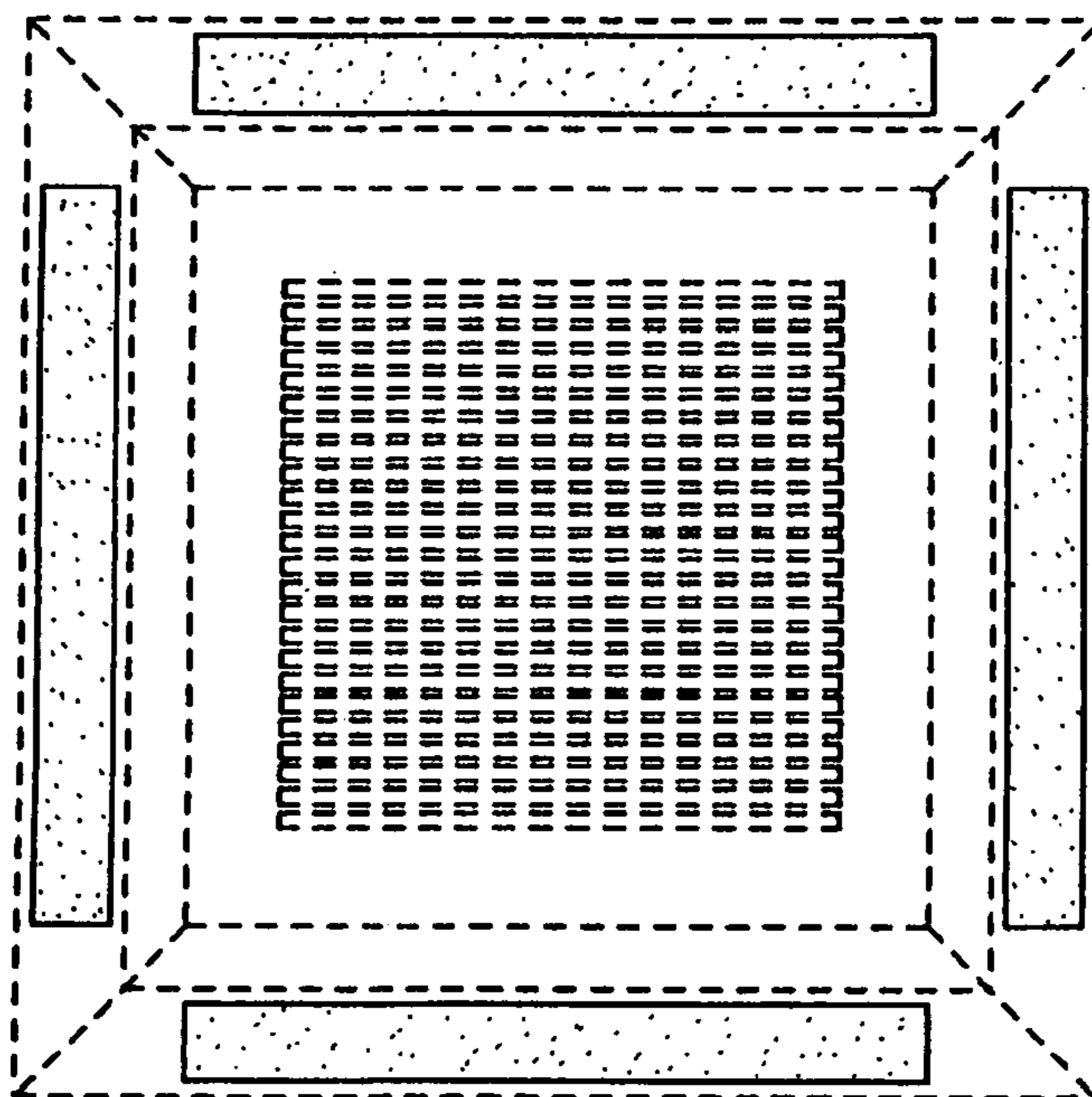


Fig. 3

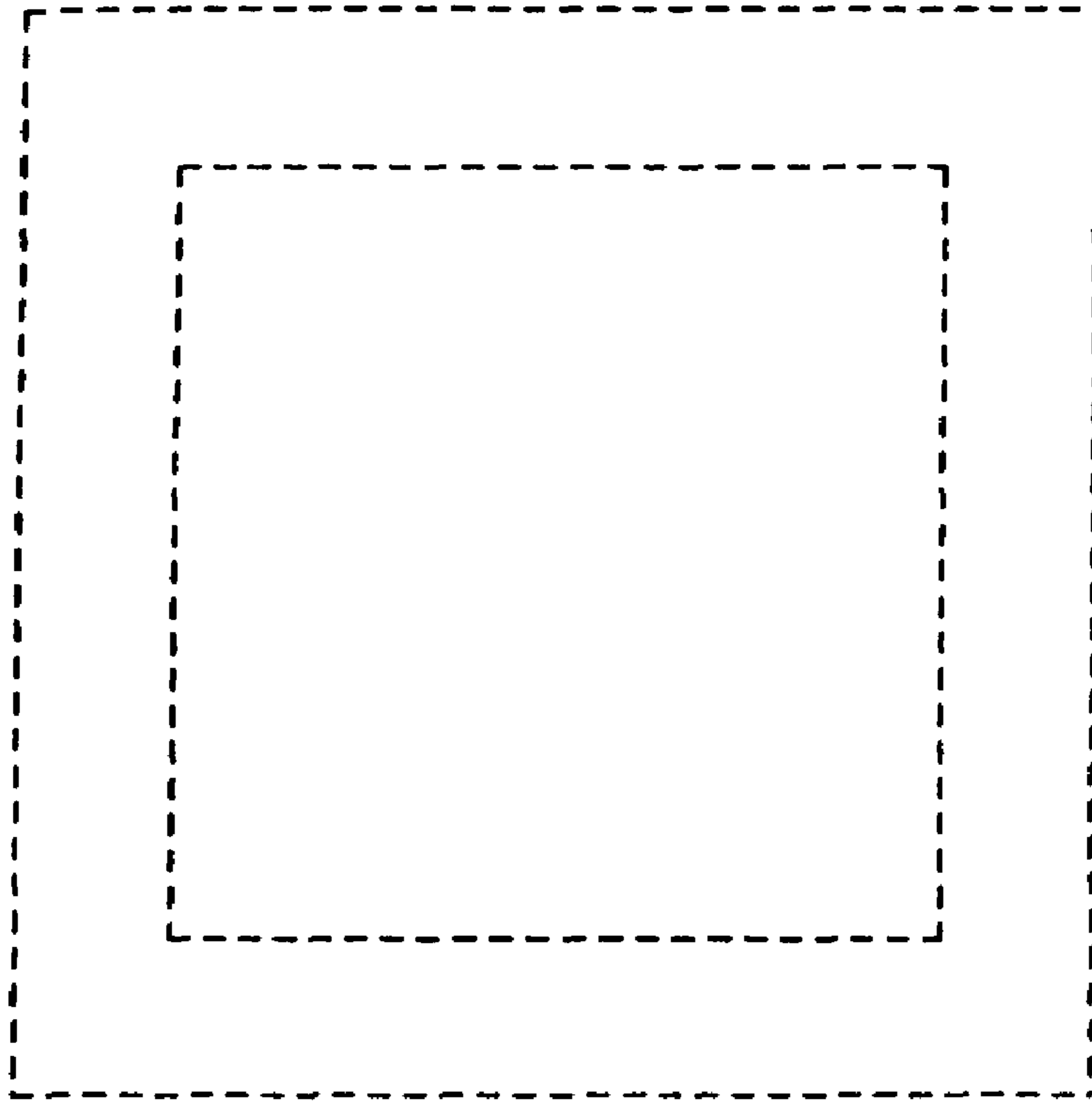


Fig. 4

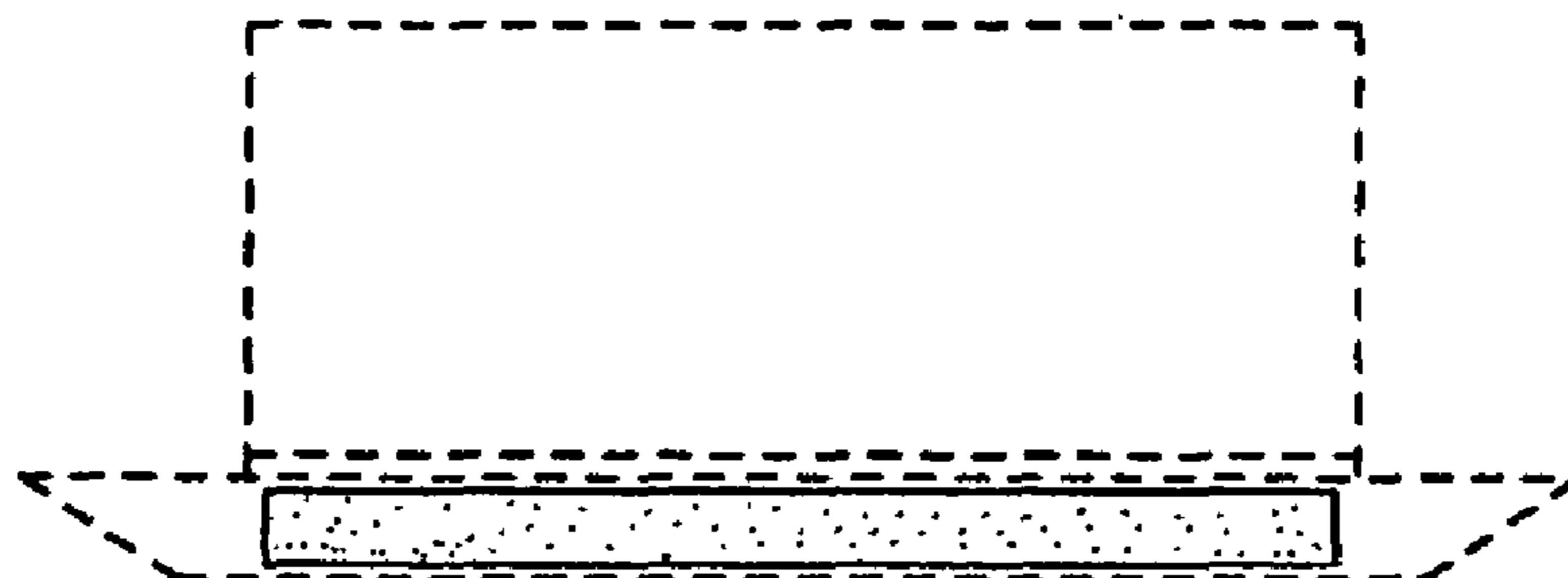


Fig. 5

