



US00D601229S

(12) **United States Design Patent**
Schoenherr et al.

(10) **Patent No.:** **US D601,229 S**

(45) **Date of Patent:** **** Sep. 29, 2009**

(54) **FAUCET SPOUT**

D534,996 S * 1/2007 Wang D23/255
D570,449 S * 6/2008 Lee D23/238

(75) Inventors: **Tom Schoenherr**, Stuttgart (DE); **Sven Feustel**, Stuttgart (DE)

* cited by examiner

(73) Assignee: **Hansgrohe AG**, Schiltach (DE)

Primary Examiner—Robert A Delehanty
(74) *Attorney, Agent, or Firm*—Nirav D. Parikh; Edgar A. Zarins

(**) Term: **14 Years**

(21) Appl. No.: **29/333,837**

(57) **CLAIM**

(22) Filed: **Mar. 16, 2009**

The ornamental design for a faucet spout, as shown and described.

(30) **Foreign Application Priority Data**

DESCRIPTION

Sep. 26, 2008 (EP) 001011415-0008

FIG. 1 is a perspective view of a faucet spout showing our design;

(51) **LOC (9) Cl.** **02-01**

FIG. 2 is a front elevational view thereof;

(52) **U.S. Cl.** **D23/255**

FIG. 3 is a left side elevational view thereof; the right side elevational view being a mirror image thereof;

(58) **Field of Classification Search** D23/238,
D23/241–243, 255–257; 4/678; 137/801
See application file for complete search history.

FIG. 4 is a top plan view thereof; and,

(56) **References Cited**

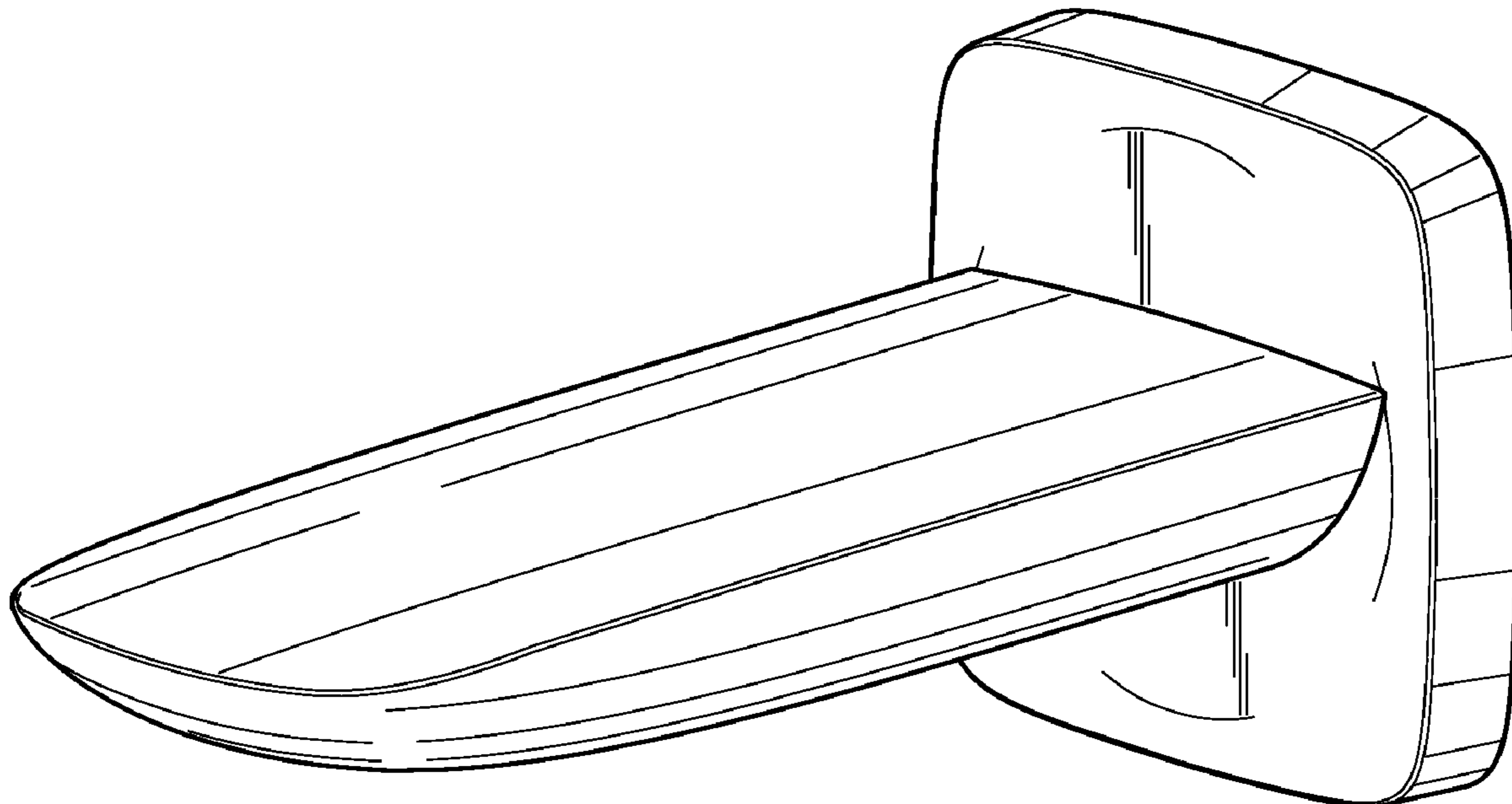
FIG. 5 is a bottom plan view thereof.

U.S. PATENT DOCUMENTS

The broken lines in the drawings represent unclaimed portions of the design and form no part thereof.

D316,895 S * 5/1991 Hill et al. D23/255
D486,561 S * 2/2004 Spangler D23/255

1 Claim, 5 Drawing Sheets



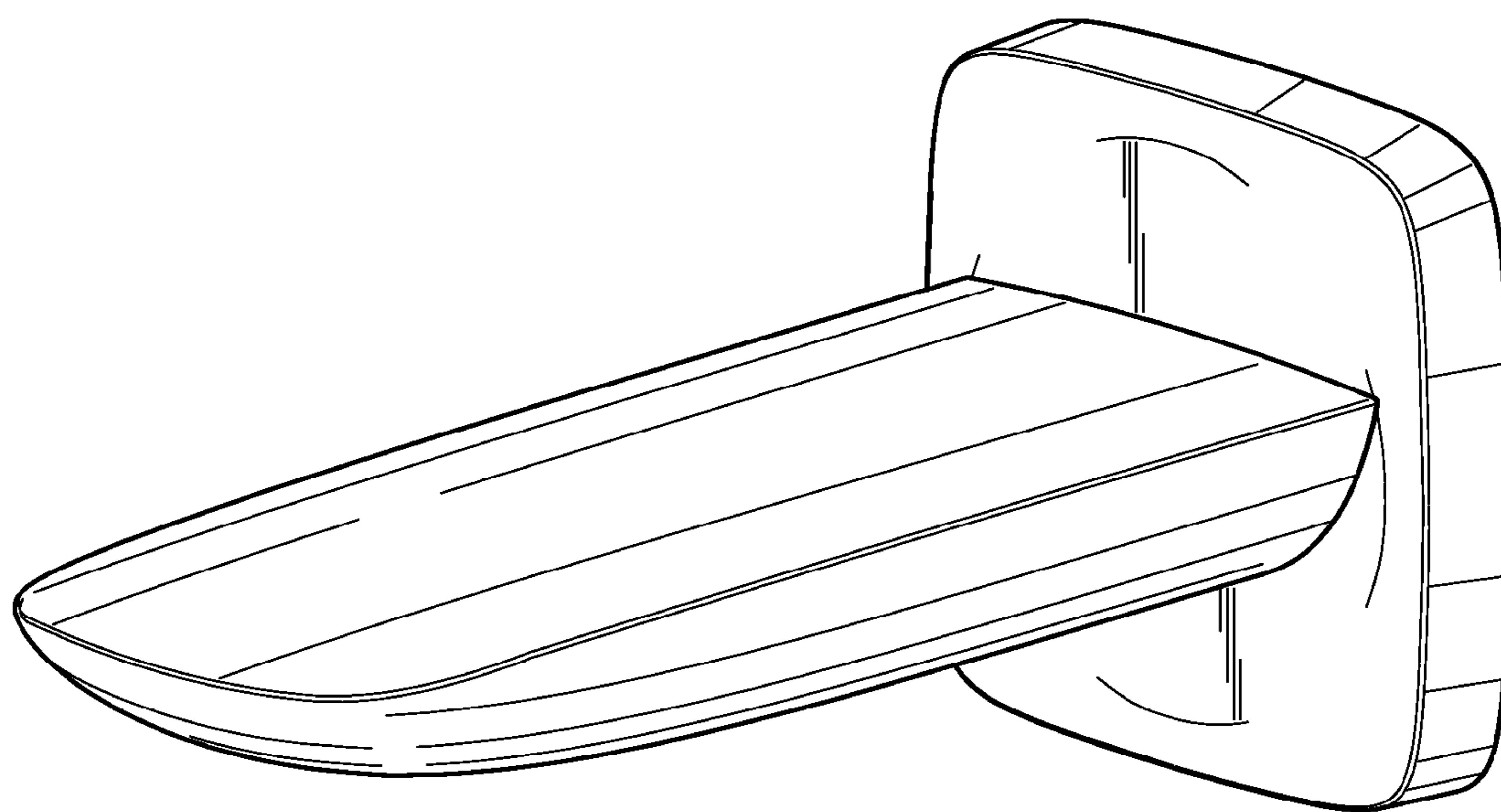


FIG. 1

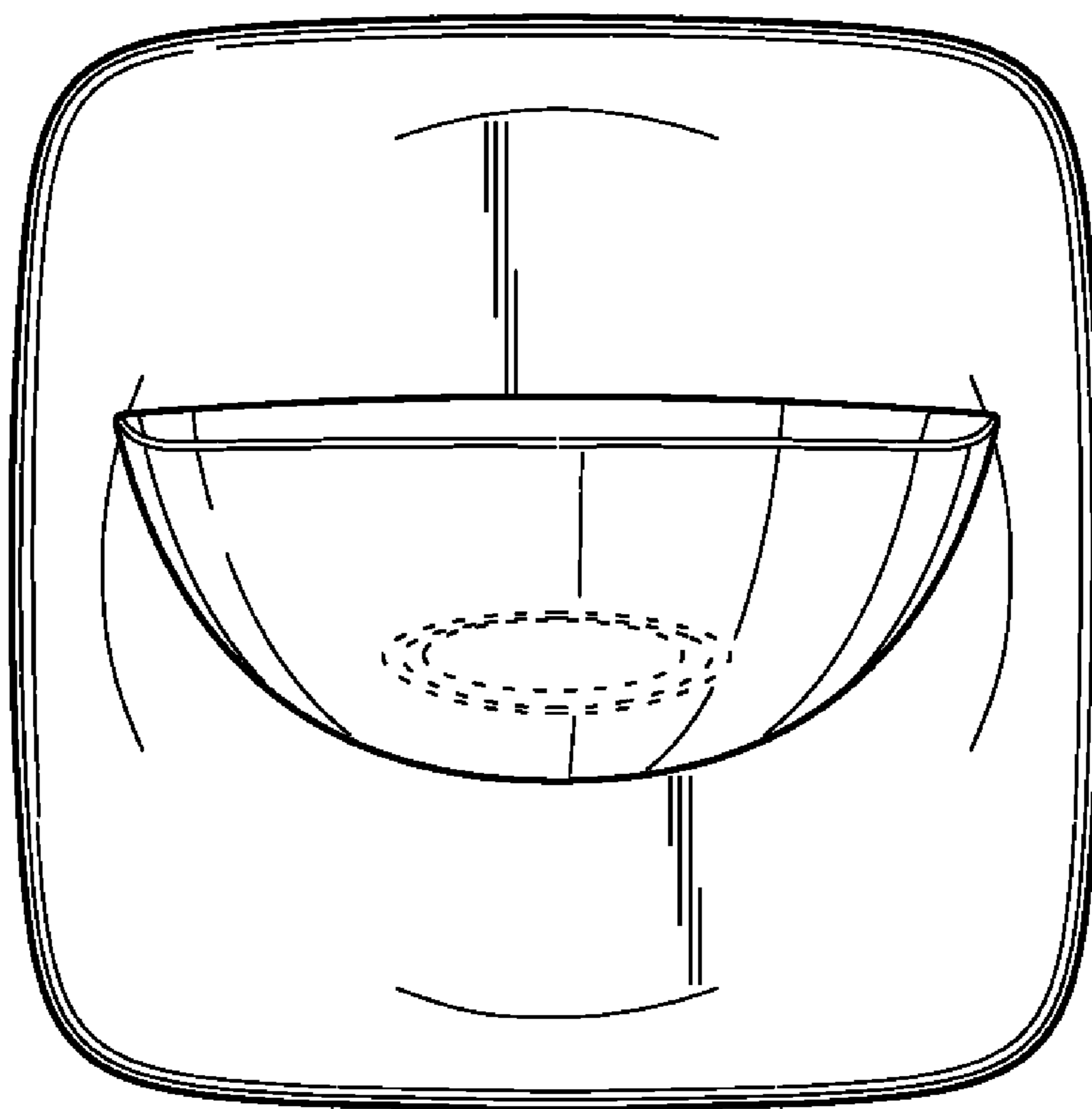


FIG. 2

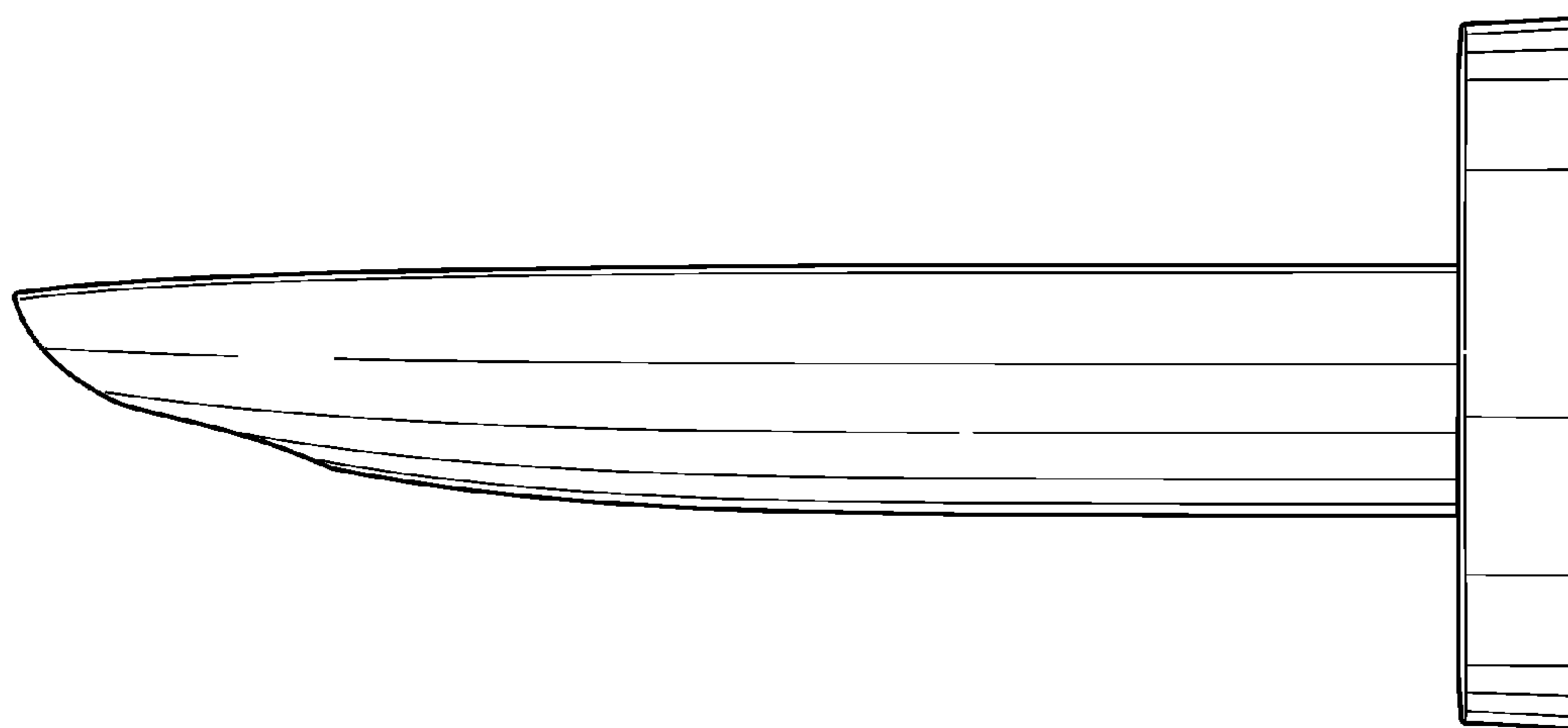


FIG. 3

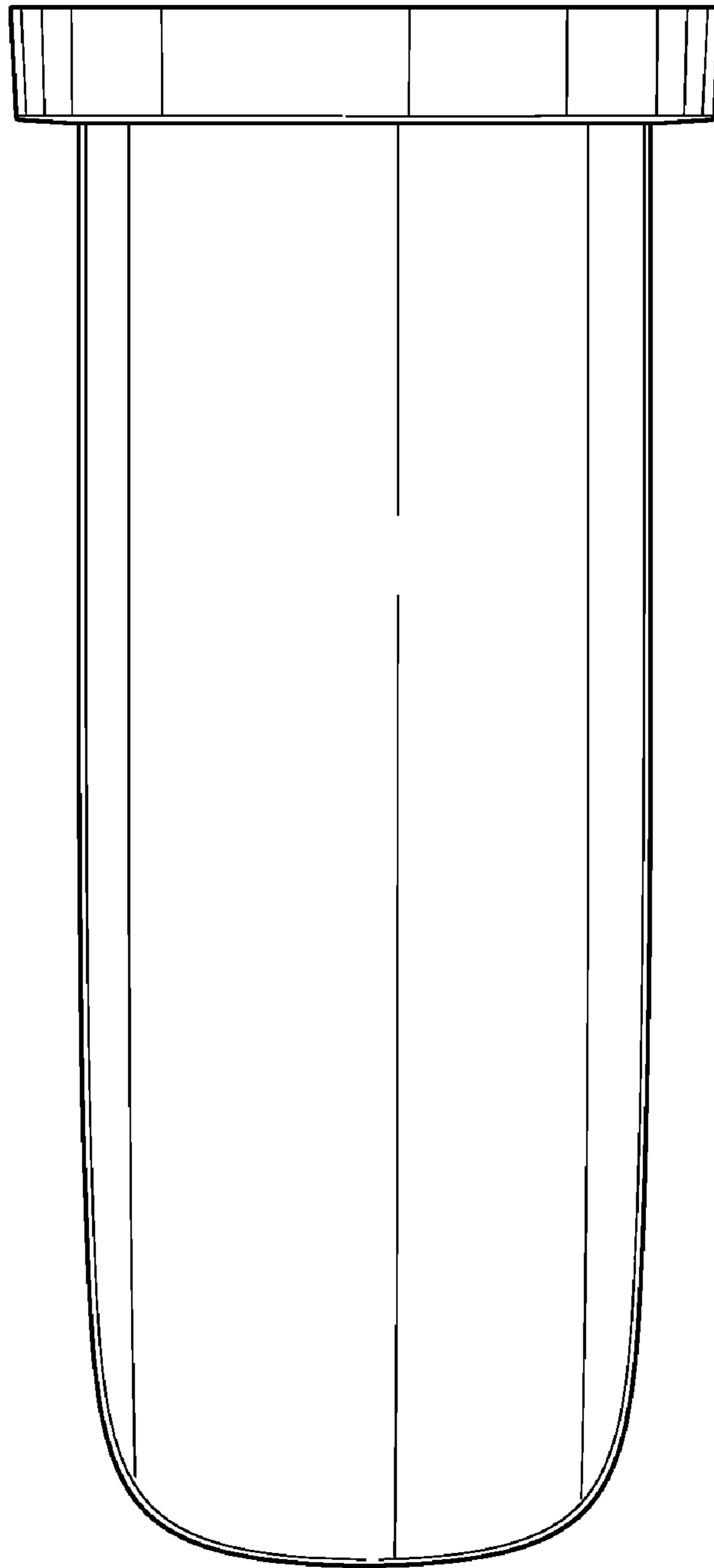


FIG. 4

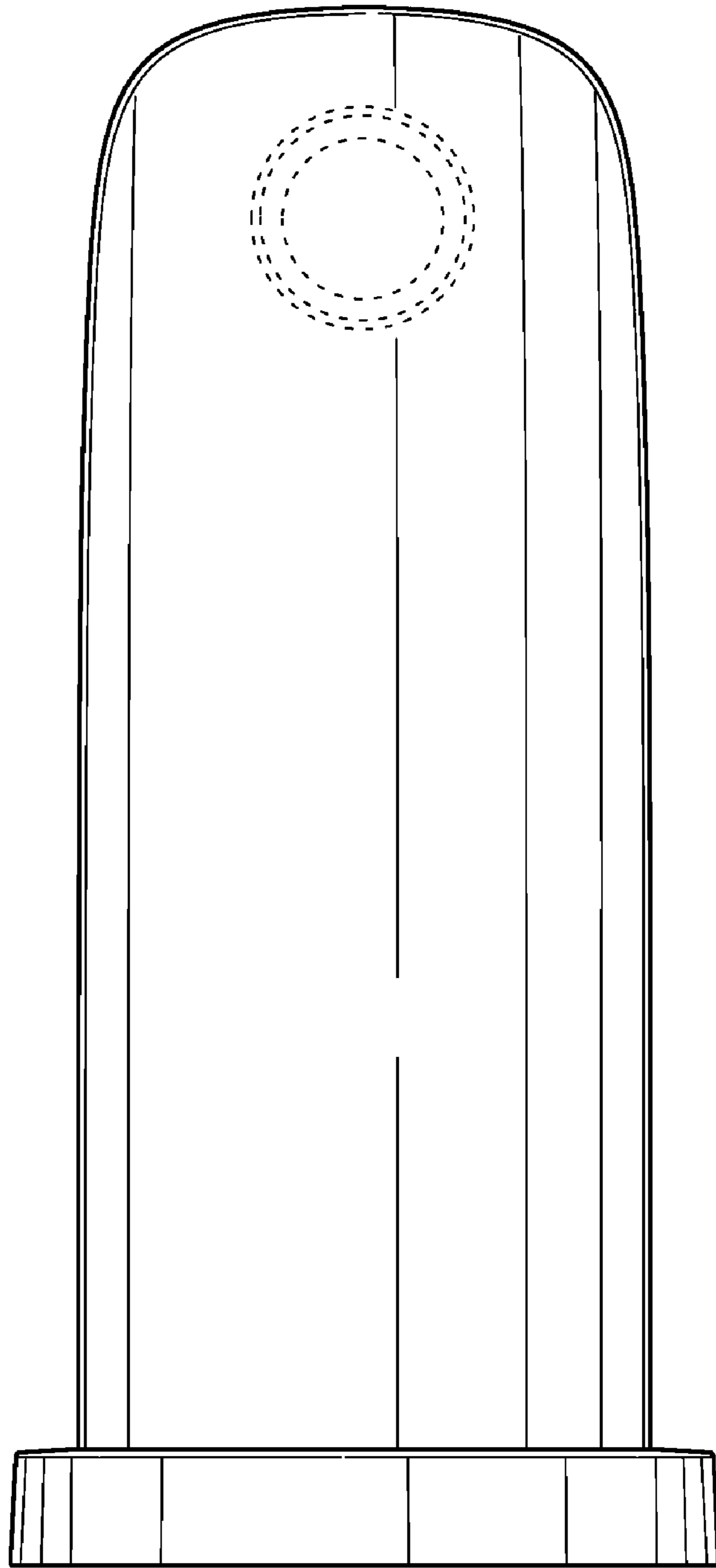


FIG. 5