



US00D601228S

(12) **United States Design Patent**  
**Schoenherr et al.**

(10) **Patent No.:** **US D601,228 S**

(45) **Date of Patent:** **\*\* \*Sep. 29, 2009**

(54) **FAUCET HANDLE**

(75) Inventors: **Tom Schoenherr**, Stuttgart (DE);  
**Fabian Kollmann**, Stuttgart (DE)

(73) Assignee: **Hansgrohe AG**, Schiltach (DE)

(\* ) Notice: This patent is subject to a terminal disclaimer.

(\*\* ) Term: **14 Years**

(21) Appl. No.: **29/322,594**

(22) Filed: **Aug. 7, 2008**

(30) **Foreign Application Priority Data**

Feb. 8, 2008 (EP) ..... 000875588-0004

(51) **LOC (9) Cl.** ..... **23-01**

(52) **U.S. Cl.** ..... **D23/252**

(58) **Field of Classification Search** ..... D23/200,  
D23/238-257; D6/550; D8/300, 307-308;  
4/675-678; 137/801; 16/110.1, 441  
See application file for complete search history.

(56) **References Cited**

**U.S. PATENT DOCUMENTS**

D387,136 S \* 12/1997 Oswaks et al. .... D23/252  
D389,229 S \* 1/1998 Kolada ..... D23/252  
D390,922 S \* 2/1998 Oswaks et al. .... D23/252

D397,425 S \* 8/1998 Paredes et al. .... D23/250  
D420,104 S \* 2/2000 Lobermeier ..... D23/252  
D430,651 S \* 9/2000 Fiegl et al. .... D23/252  
D434,117 S \* 11/2000 Spangler ..... D23/252  
D458,345 S \* 6/2002 Gottwald ..... D23/252  
D460,161 S \* 7/2002 Green et al. .... D23/254  
D490,878 S \* 6/2004 Hunt ..... D23/252

\* cited by examiner

*Primary Examiner*—T. Chase Nelson

*Assistant Examiner*—Mark Cavanna

(74) *Attorney, Agent, or Firm*—Leon E. Redman

(57) **CLAIM**

The ornamental design for a faucet handle, as shown and described.

**DESCRIPTION**

FIG. 1 is a front perspective view of a faucet handle showing our design;

FIG. 2 is a front elevational view thereof;

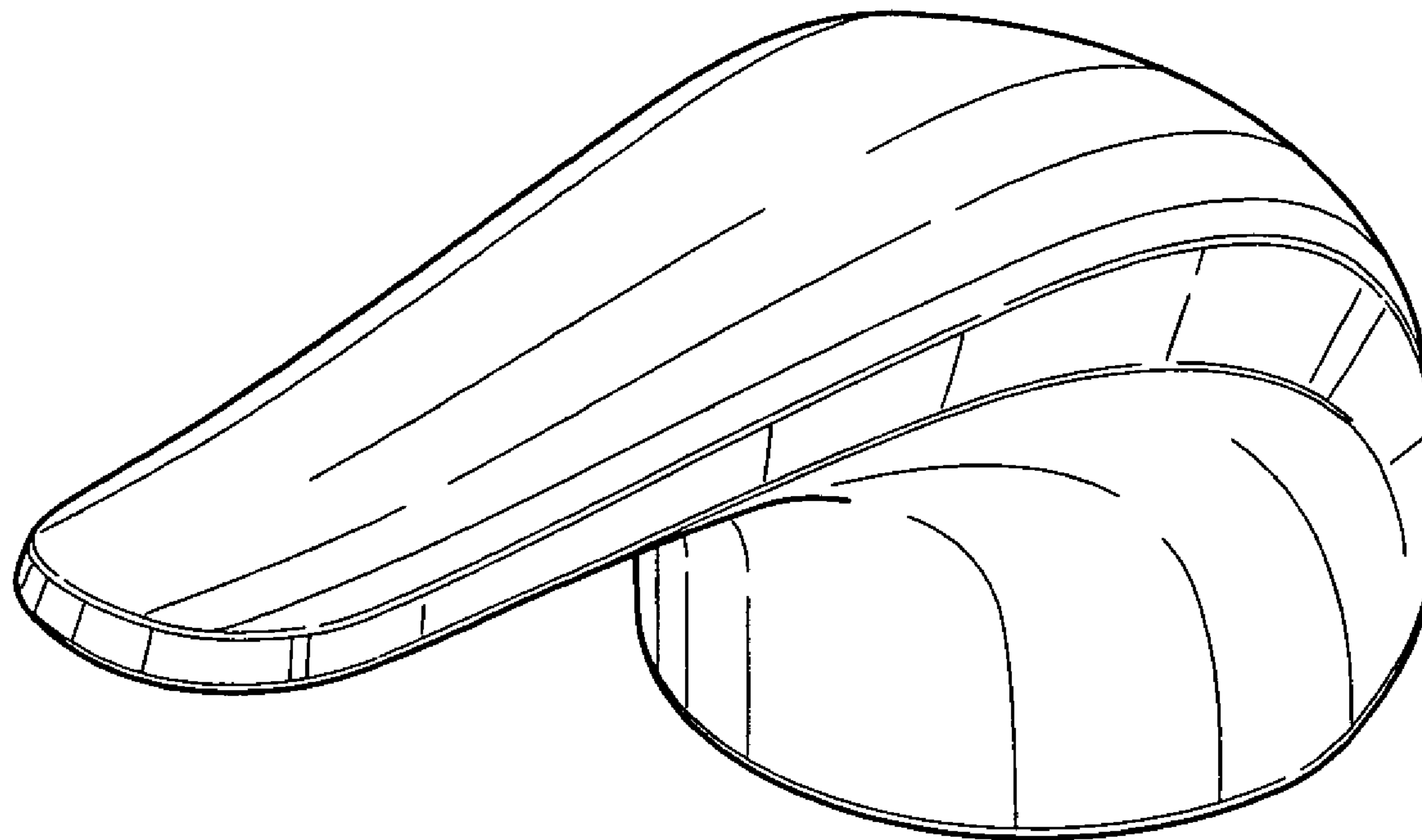
FIG. 3 is a rear elevational view thereof;

FIG. 4 is a left side elevational view thereof; the right side elevational view being a mirror image thereof; and,

FIG. 5 is a top plan view thereof.

The broken lines are included for the purpose of illustrating portions of the faucet handle that form no part of the claimed design.

**1 Claim, 5 Drawing Sheets**



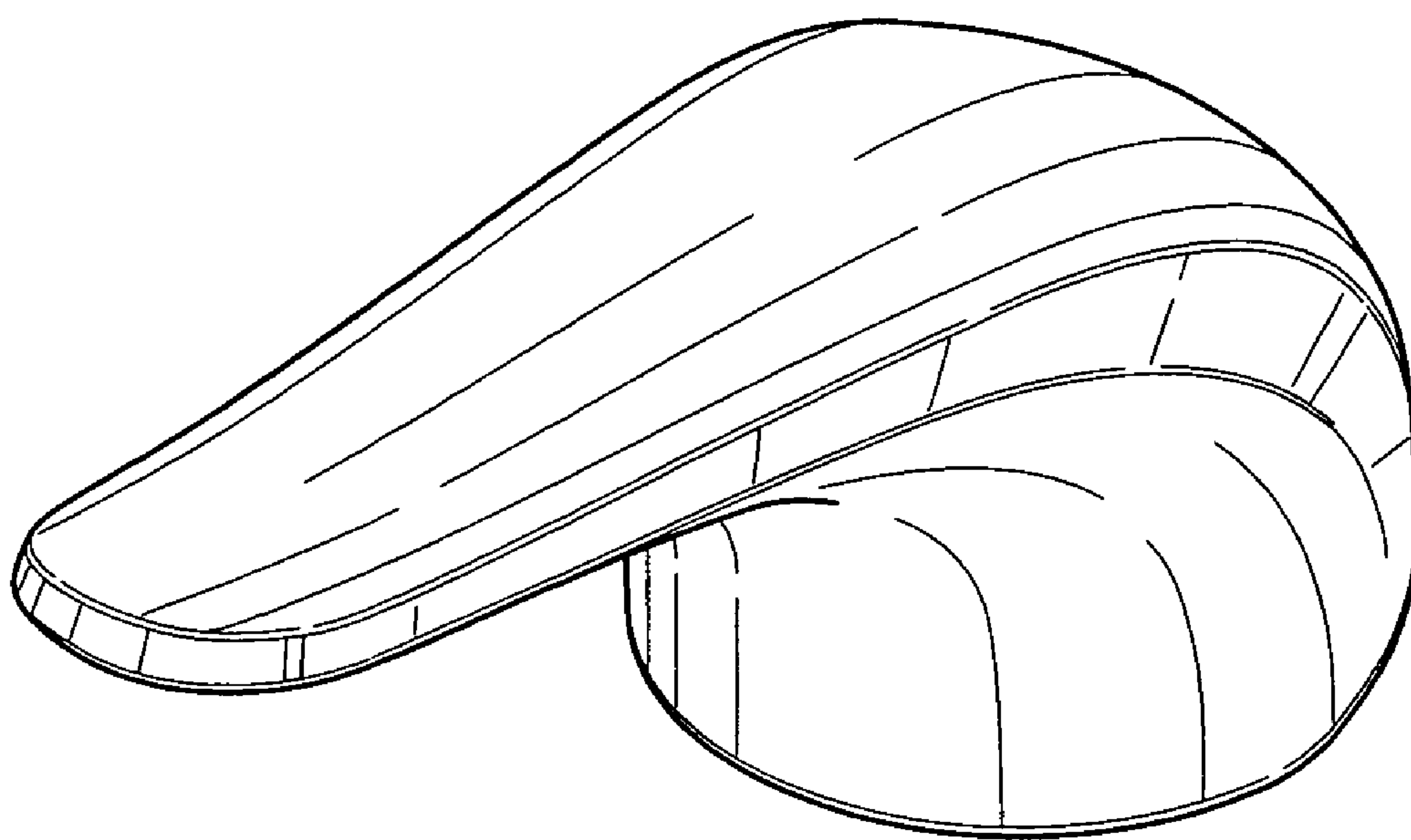


FIG. 1

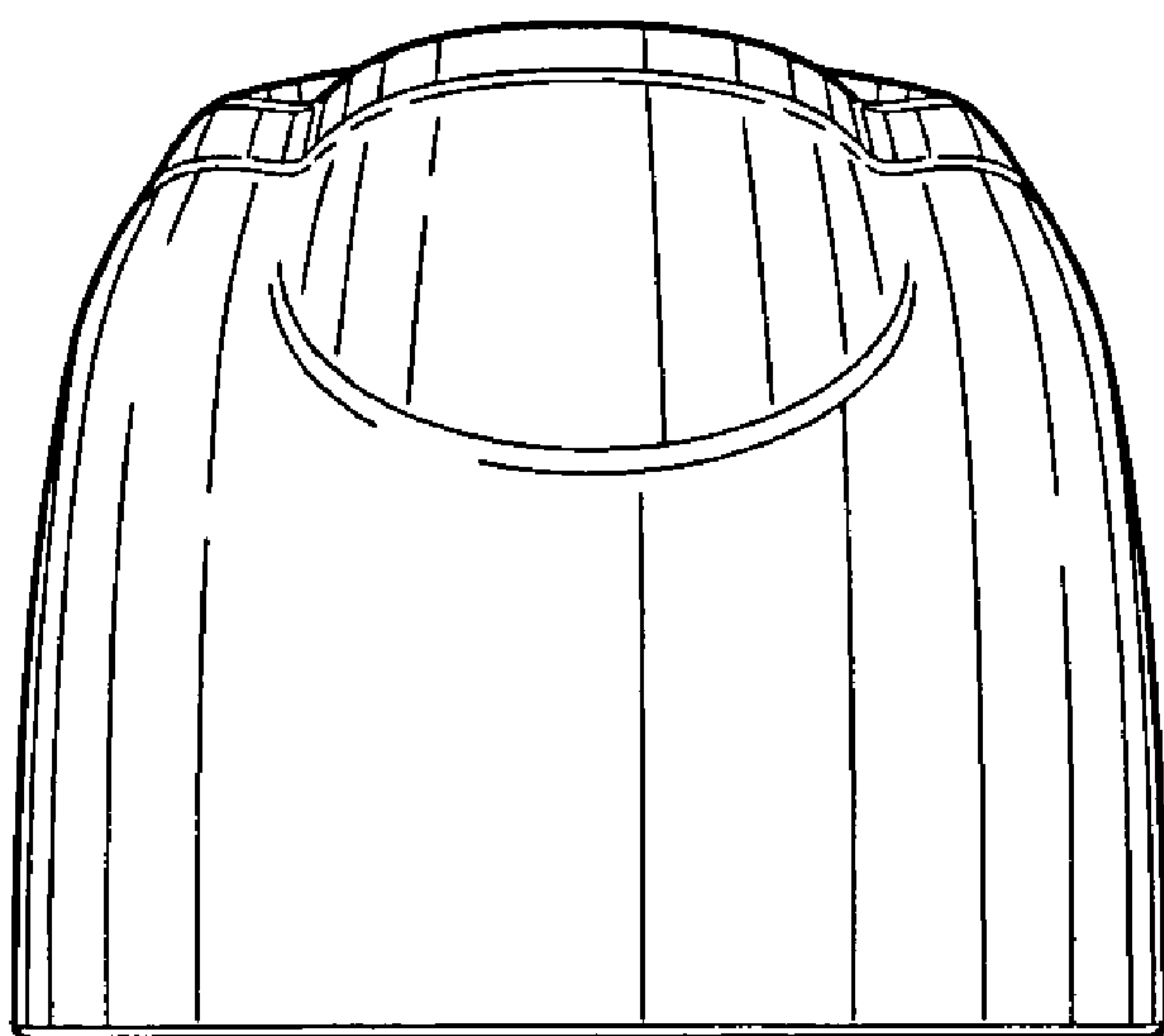


FIG. 2

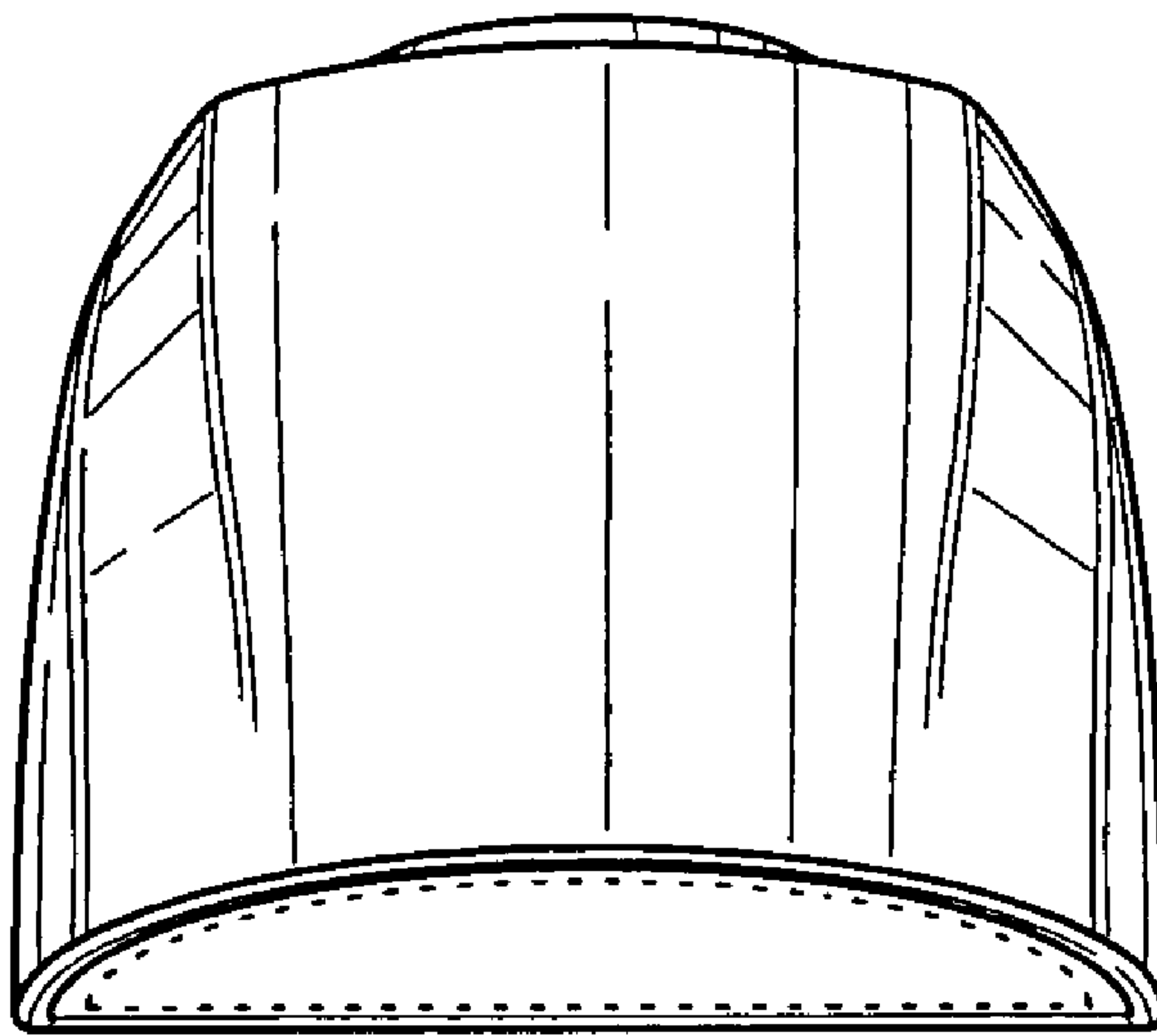


FIG. 3

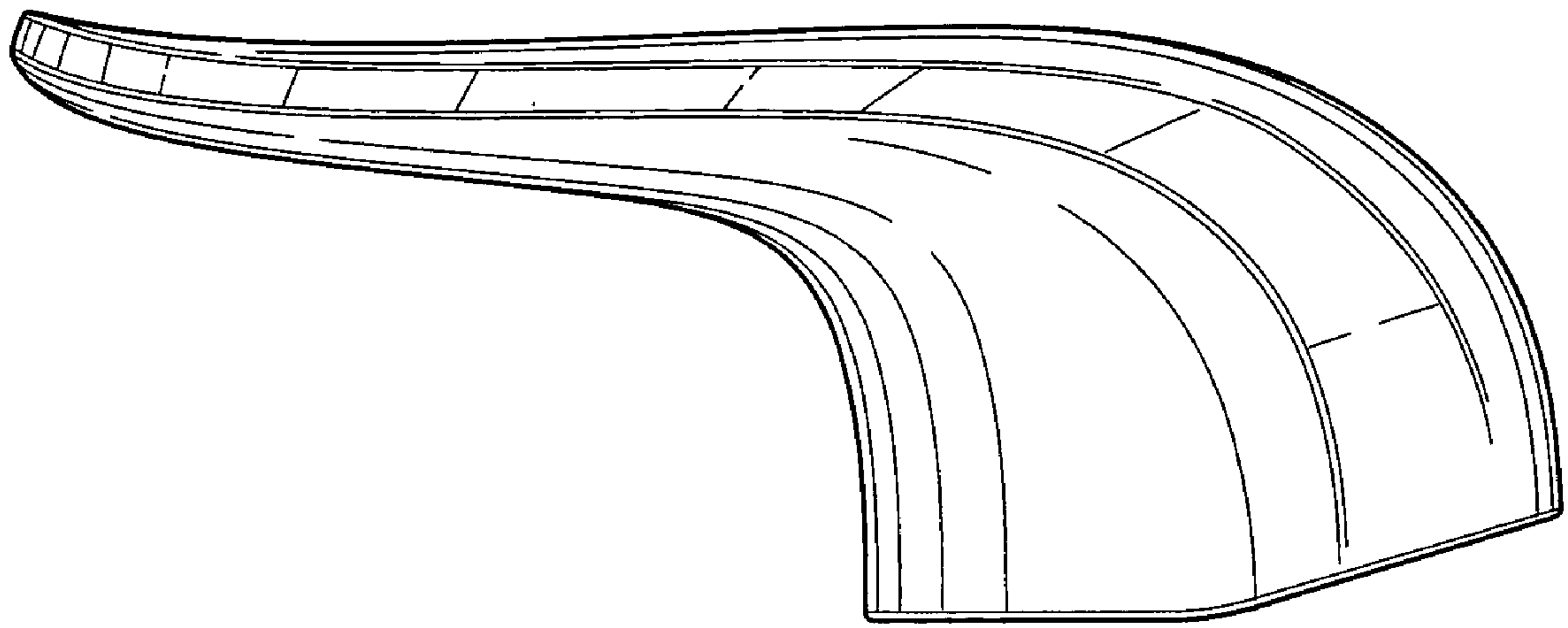


FIG. 4

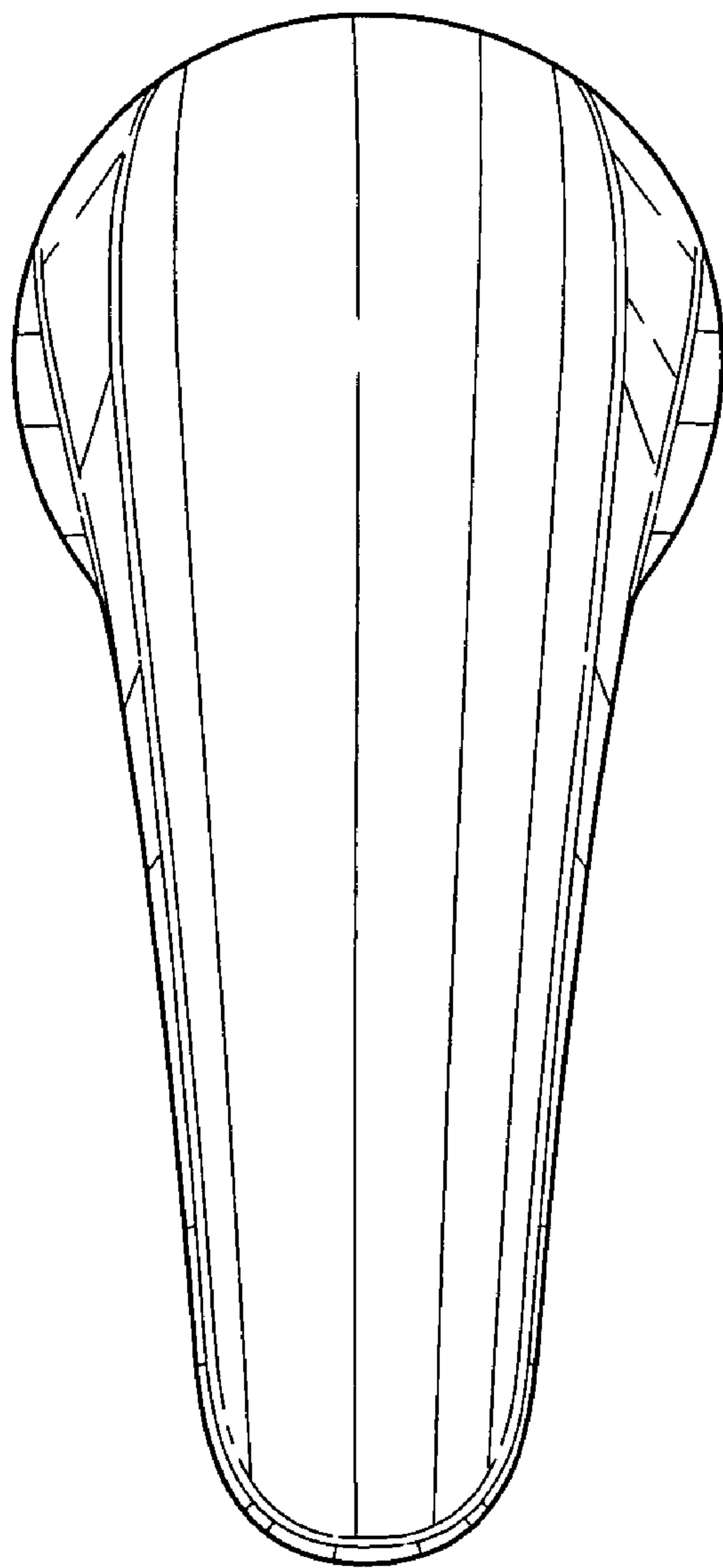


FIG. 5