

US00D601227S

(12) **United States Design Patent**  
**Sieger**

(10) **Patent No.:** **US D601,227 S**

(45) **Date of Patent:** **\*\* Sep. 29, 2009**

(54) **DECK-MOUNT FAUCET**

(75) Inventor: **Michael Sieger**, Sassenberg (DE)

(73) Assignee: **Aloys F. Dornbracht GmbH & Co. KG**, Iserlohn (DE)

(\*\*) Term: **14 Years**

(21) Appl. No.: **29/333,804**

(22) Filed: **Mar. 16, 2009**

**Related U.S. Application Data**

(62) Division of application No. 29/328,558, filed on Nov. 26, 2008.

**Foreign Application Priority Data**

May 28, 2008 (EM) ..... 000942339-0008  
May 28, 2008 (EM) ..... 000942339-0015  
May 28, 2008 (EM) ..... 000942339-0016

(51) **LOC (9) Cl.** ..... **23-01**

(52) **U.S. Cl.** ..... **D23/242**

(58) **Field of Classification Search** ..... D23/200,  
D23/238-257; D6/512, 546, 550; D8/300,  
D8/307-308, 310-312, 321; 4/675-678;  
137/801; 16/110.1, 441

See application file for complete search history.

(56) **References Cited**

**U.S. PATENT DOCUMENTS**

D287,160 S \* 12/1986 Rademacher ..... D23/242

D290,159 S \* 6/1987 Jans ..... D23/242  
D290,869 S \* 7/1987 Paul ..... D23/242  
D303,565 S \* 9/1989 Paul ..... D23/242  
D308,718 S \* 6/1990 Strignano ..... D23/242  
D312,496 S \* 11/1990 Strignano ..... D23/242  
D313,066 S \* 12/1990 Strignano ..... D23/242  
D317,349 S \* 6/1991 Rodstein ..... D23/242  
D511,201 S \* 11/2005 Kulig et al. .... D23/238  
D573,231 S \* 7/2008 Kulig ..... D23/242

\* cited by examiner

*Primary Examiner*—T. Chase Nelson

*Assistant Examiner*—Mark Cavanna

(74) *Attorney, Agent, or Firm*—Andrew Wilford

(57) **CLAIM**

The ornamental design for a deck-mount faucet, as shown and described.

**DESCRIPTION**

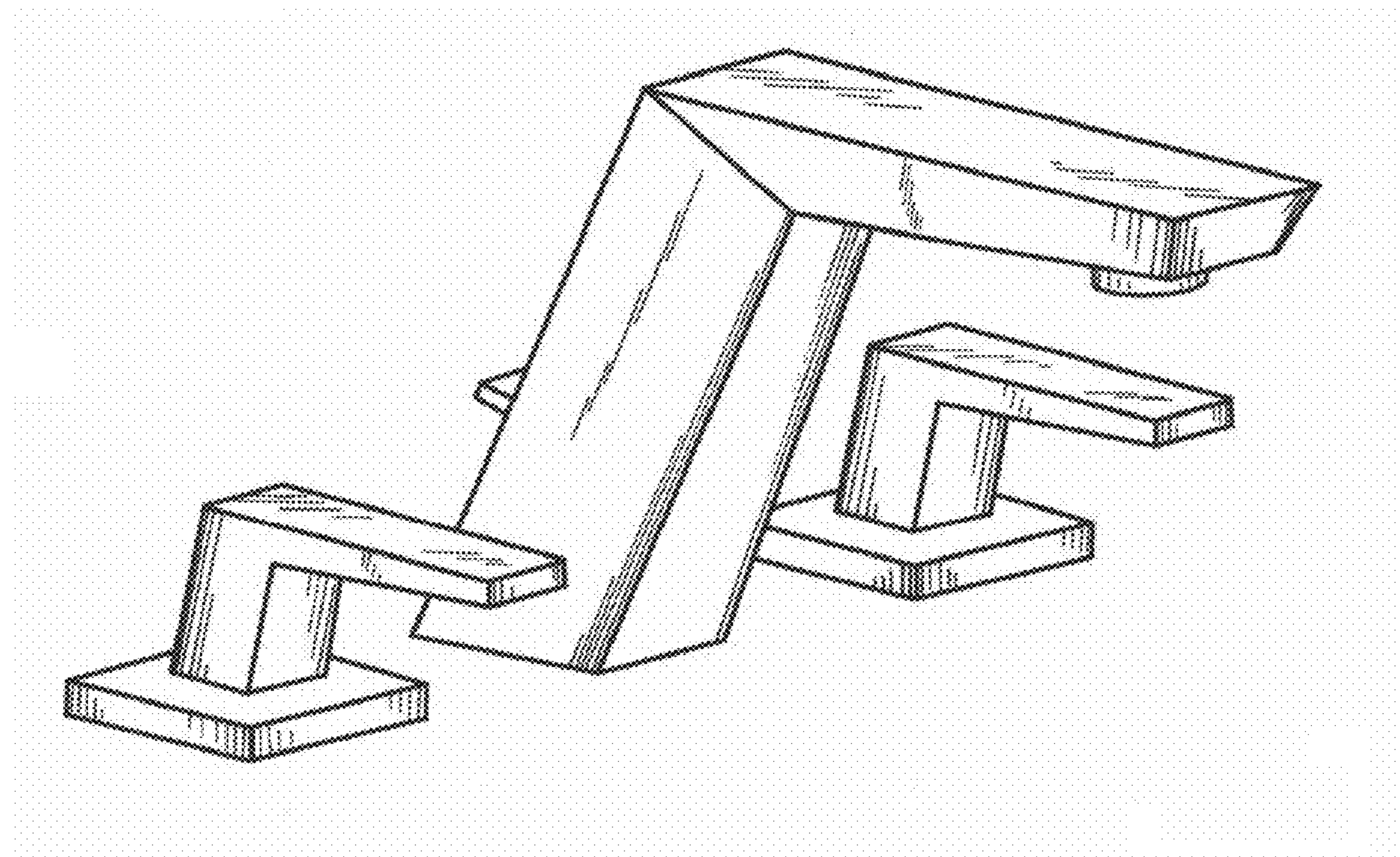
FIGS. 1 and 2 are perspective views from above and front left and right, respectively, of a deck-mount faucet according to the invention;

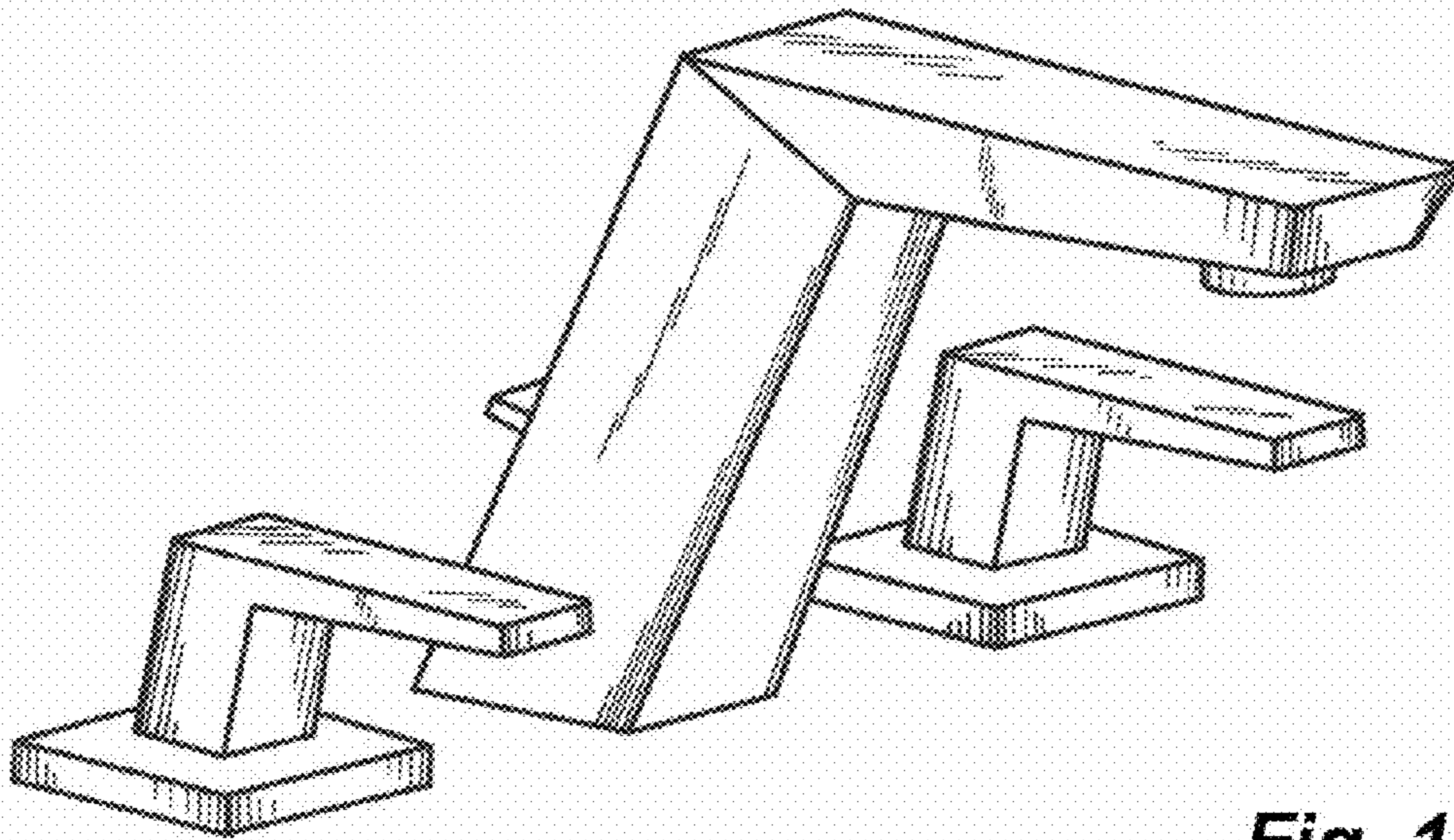
FIGS. 3 and 4 are left and right-hand side elevational views, respectively, of the deck-mount faucet;

FIG. 5 and 6 are front and back elevational views, respectively, of the deck-mount faucet; and,

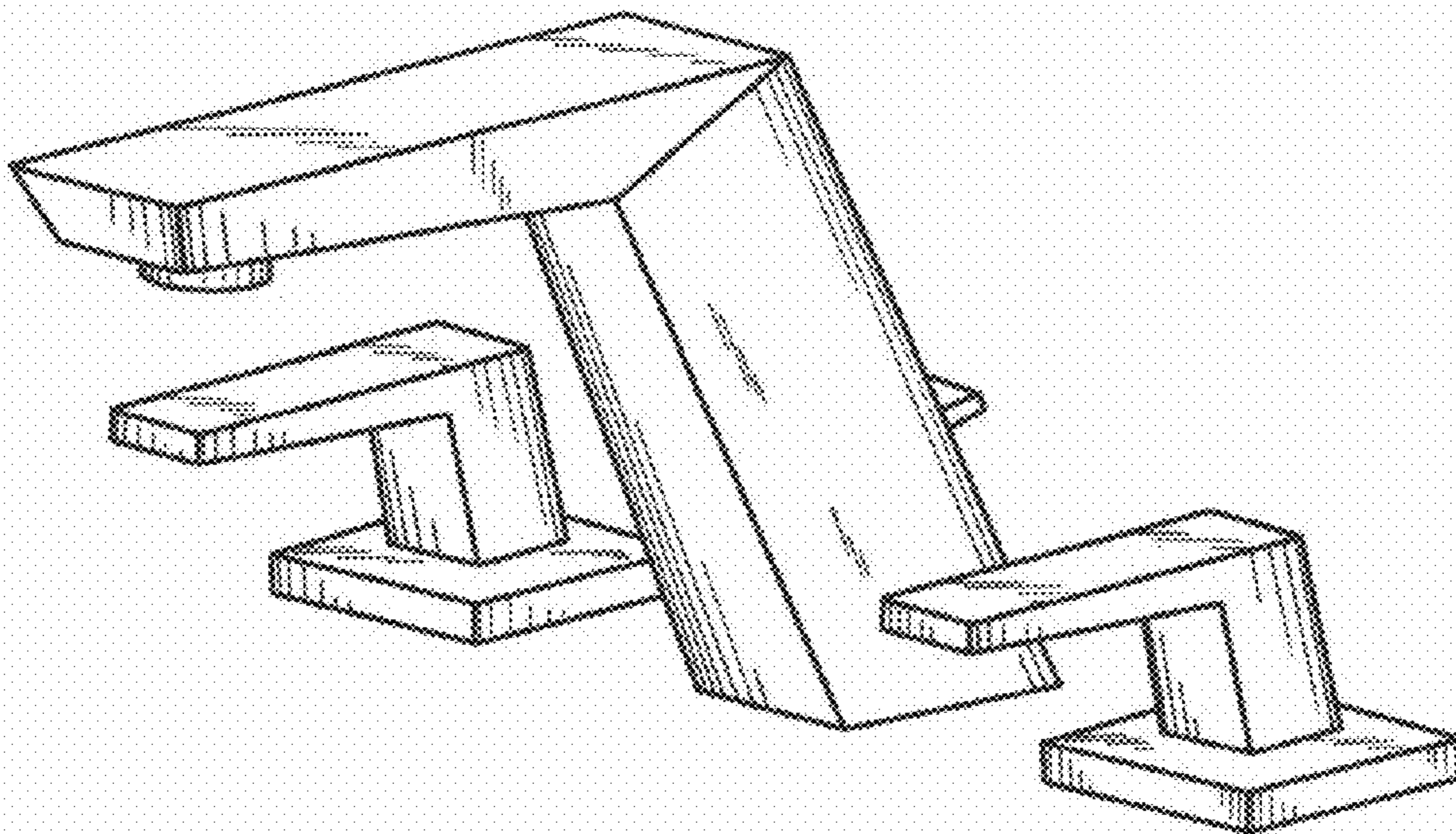
FIG. 7 is a top view of the deck-mount faucet.

**1 Claim, 4 Drawing Sheets**

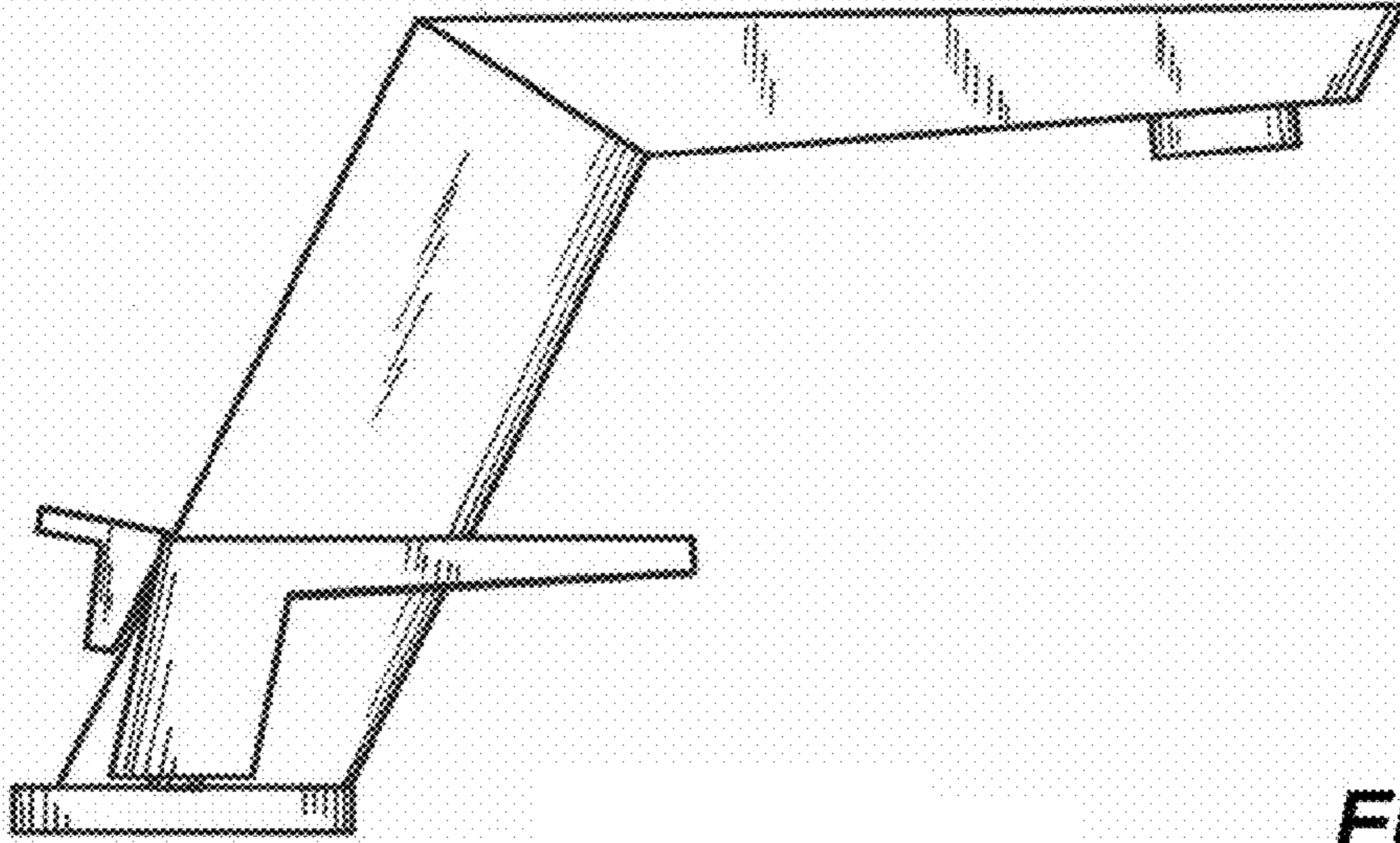




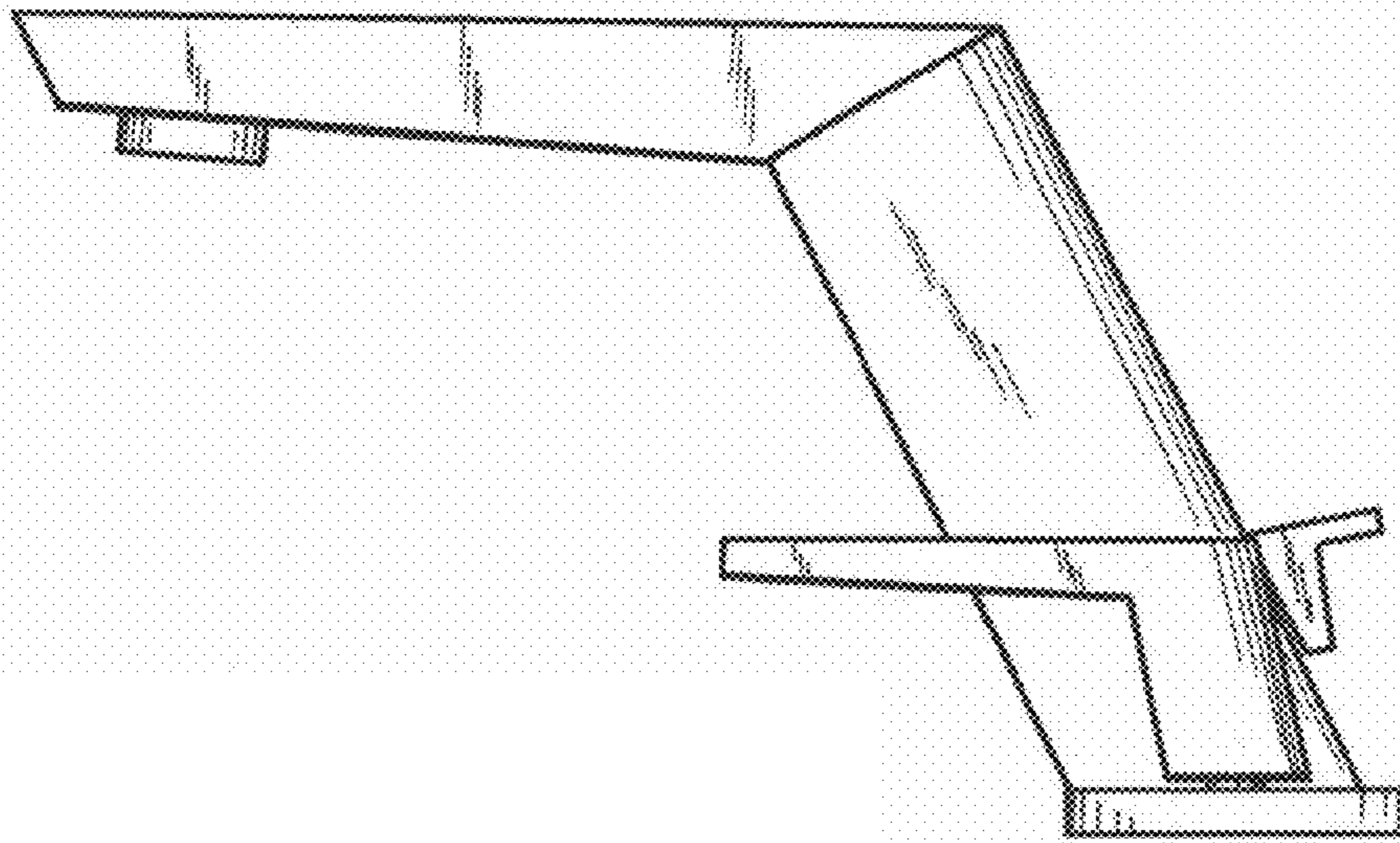
**Fig. 1**



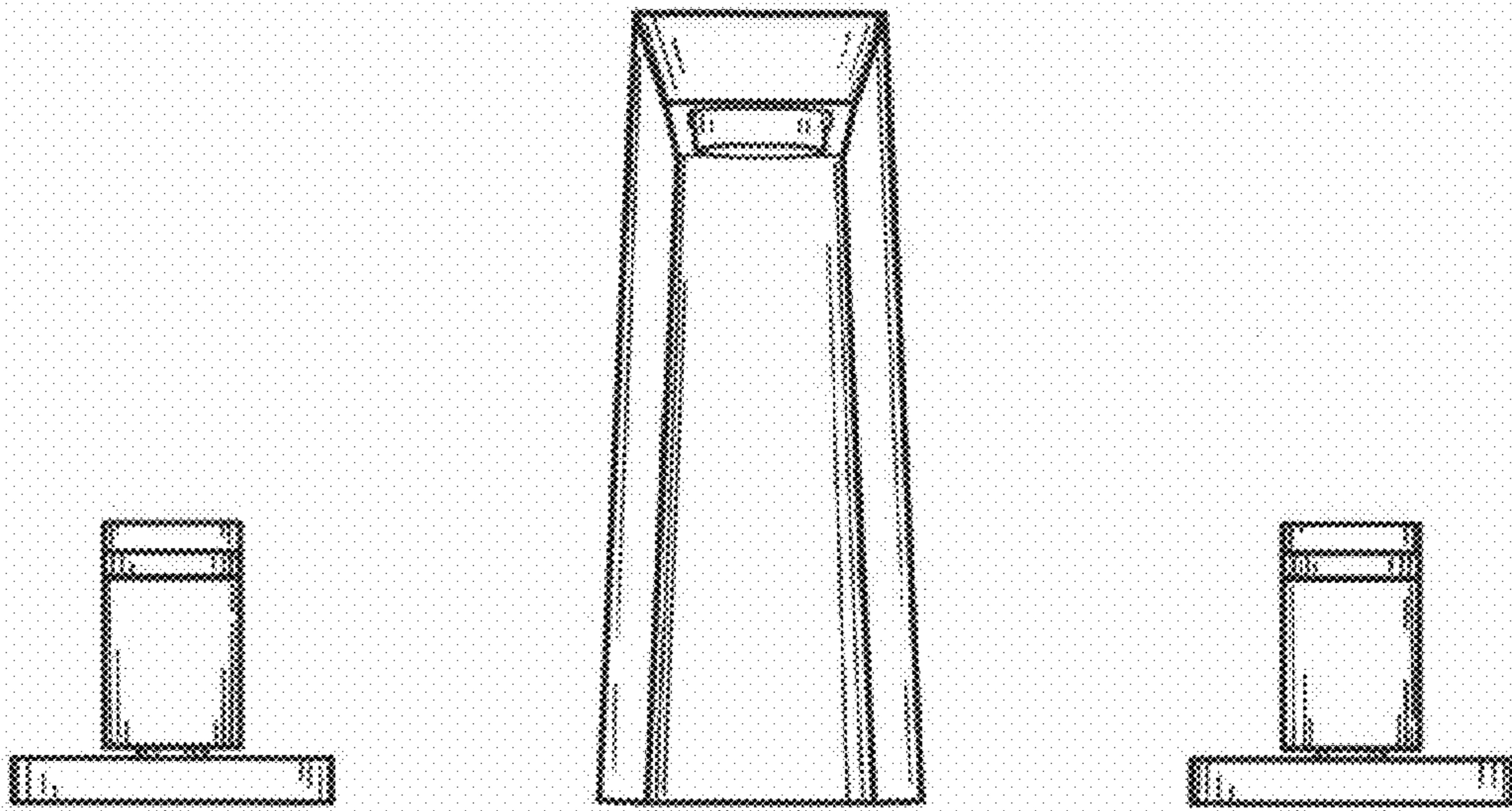
**Fig. 2**



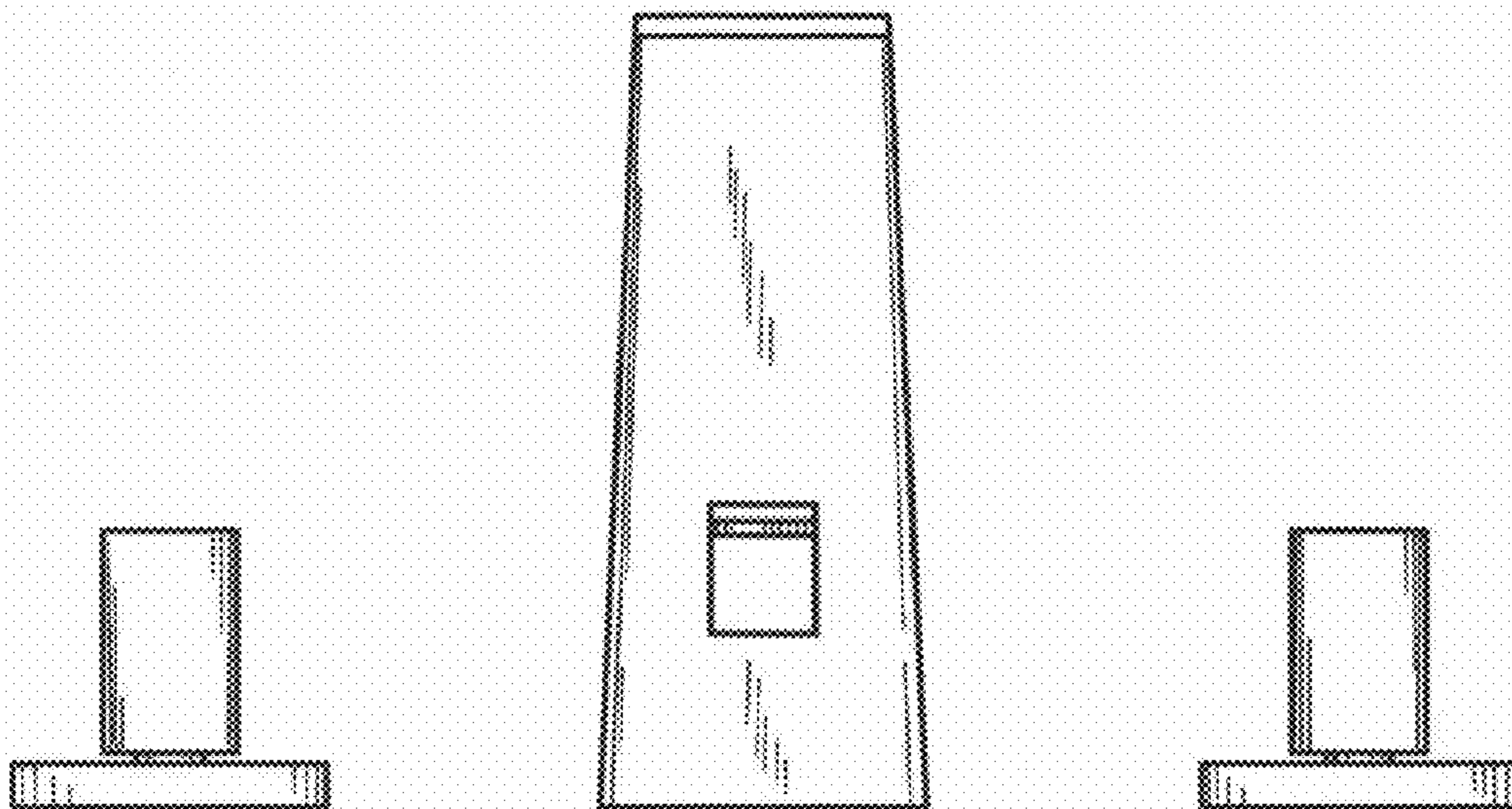
**Fig. 3**



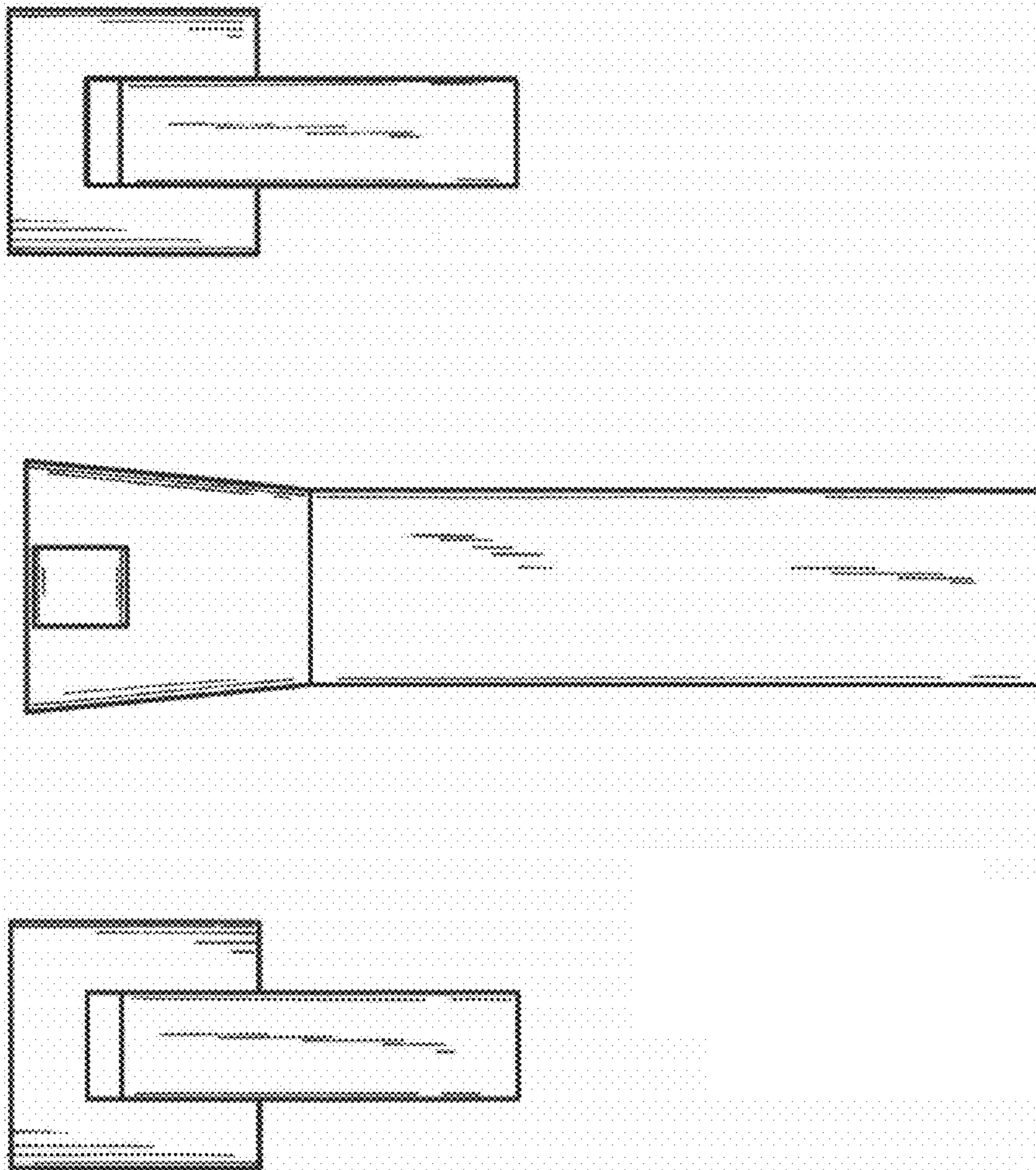
**Fig. 4**



**Fig. 5**



**Fig. 6**



**Fig. 7**