



US00D601225S

(12) **United States Design Patent**  
**Kurisasi**

(10) **Patent No.:** **US D601,225 S**

(45) **Date of Patent:** **\*\* Sep. 29, 2009**

(54) **FLOW SWITCH**

D410,525 S \* 6/1999 Uehara et al. .... D23/235  
D548,120 S \* 8/2007 Nagai et al. .... D10/85

(75) Inventor: **Shogo Kurisasi**, Tsukubamirai (JP)

\* cited by examiner

(73) Assignee: **SMC Corporation**, Chiyoda-ku, Tokyo (JP)

*Primary Examiner*—Antoine D Davis  
(74) *Attorney, Agent, or Firm*—Yokoi & Co., U.S.A., Inc.; Peter Ganjian

(\*\*) Term: **14 Years**

(21) Appl. No.: **29/312,295**

(57) **CLAIM**

(22) Filed: **Oct. 14, 2008**

The ornamental design for a flow switch, as shown and described.

(30) **Foreign Application Priority Data**

**DESCRIPTION**

Apr. 18, 2008 (JP) ..... 2008-010015

FIG. 1 shows a front view of a flow switch showing my new design;

(51) **LOC (9) Cl.** ..... **23-01**

FIG. 2 shows a rear view thereof;

(52) **U.S. Cl.** ..... **D23/235; D10/85**

FIG. 3 shows a right side view thereof;

(58) **Field of Classification Search** ..... D10/85-86;  
D23/233, 235; 73/861.74; 137/501; 200/81.9 R,  
200/81.9 M, 80 R, 83 B, 83 L, 83 Q, 83 R,  
200/83 Y, 275, 290; 220/262; 251/309

FIG. 4 shows a left side view thereof;

See application file for complete search history.

FIG. 5 shows a top view thereof;

FIG. 6 shows a bottom view thereof; and,

(56) **References Cited**

FIG. 7 shows a top, front and left side perspective view thereof.

**U.S. PATENT DOCUMENTS**

3,360,621 A \* 12/1967 Liddell ..... 200/81.9 M

**1 Claim, 7 Drawing Sheets**

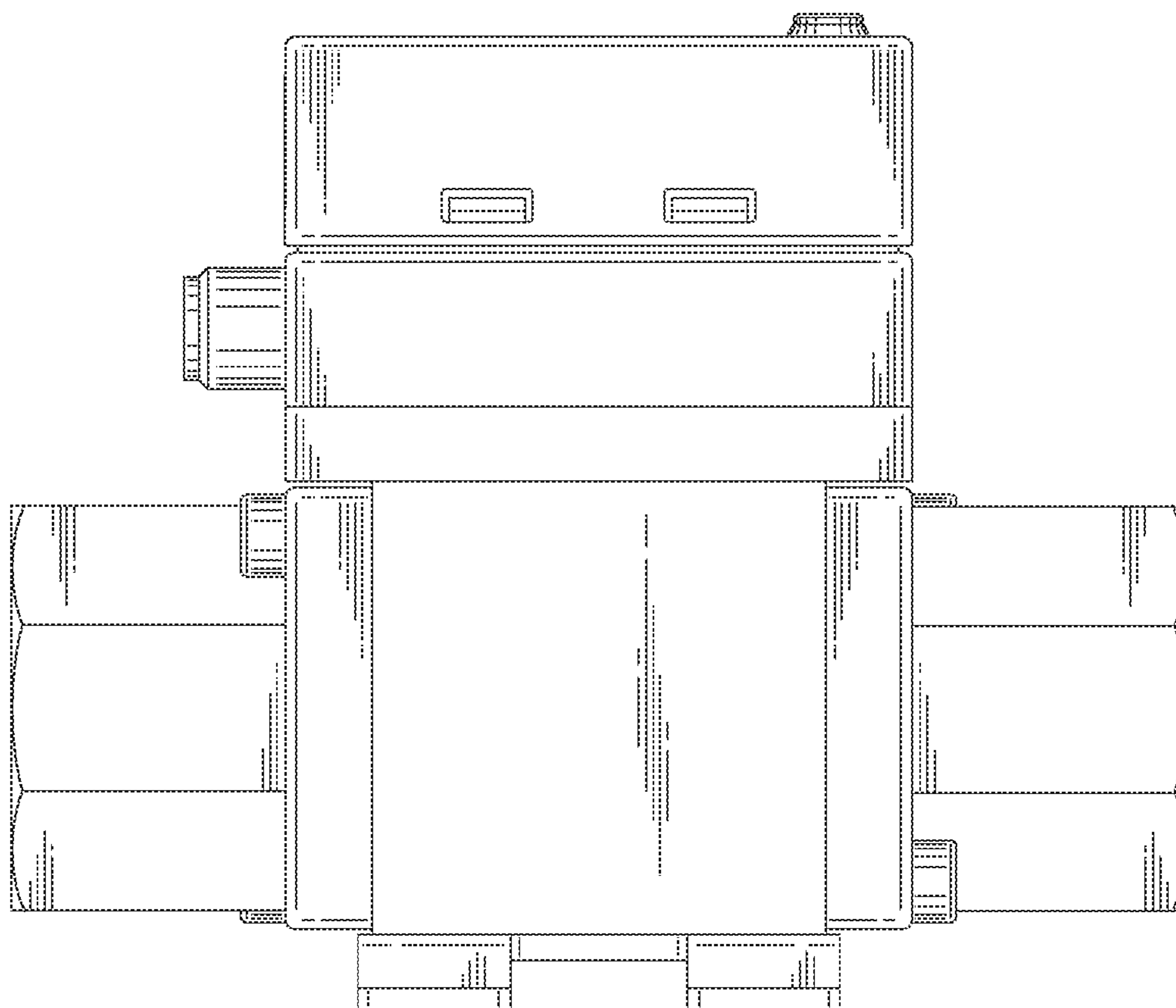


FIG. 1

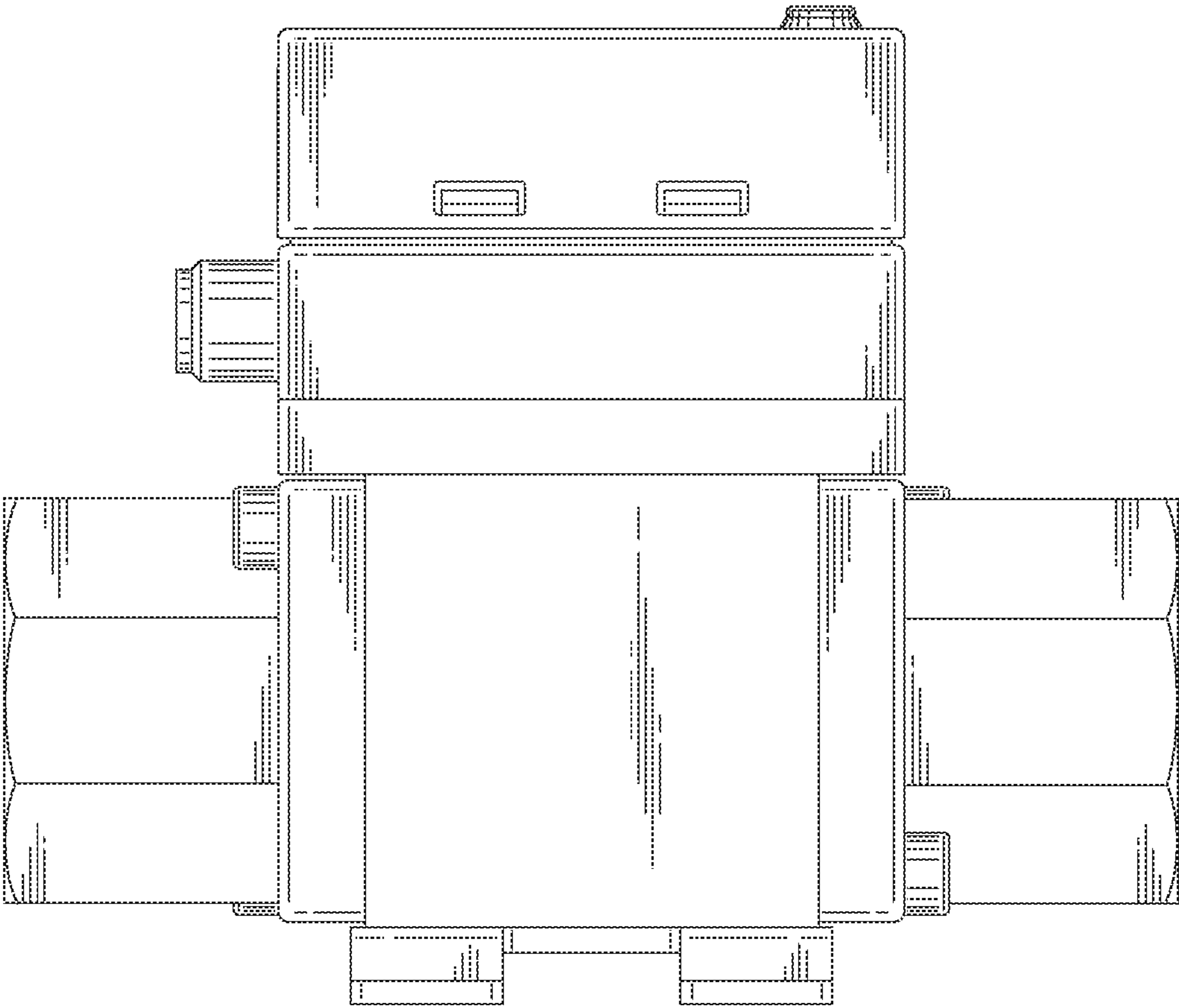


FIG. 2

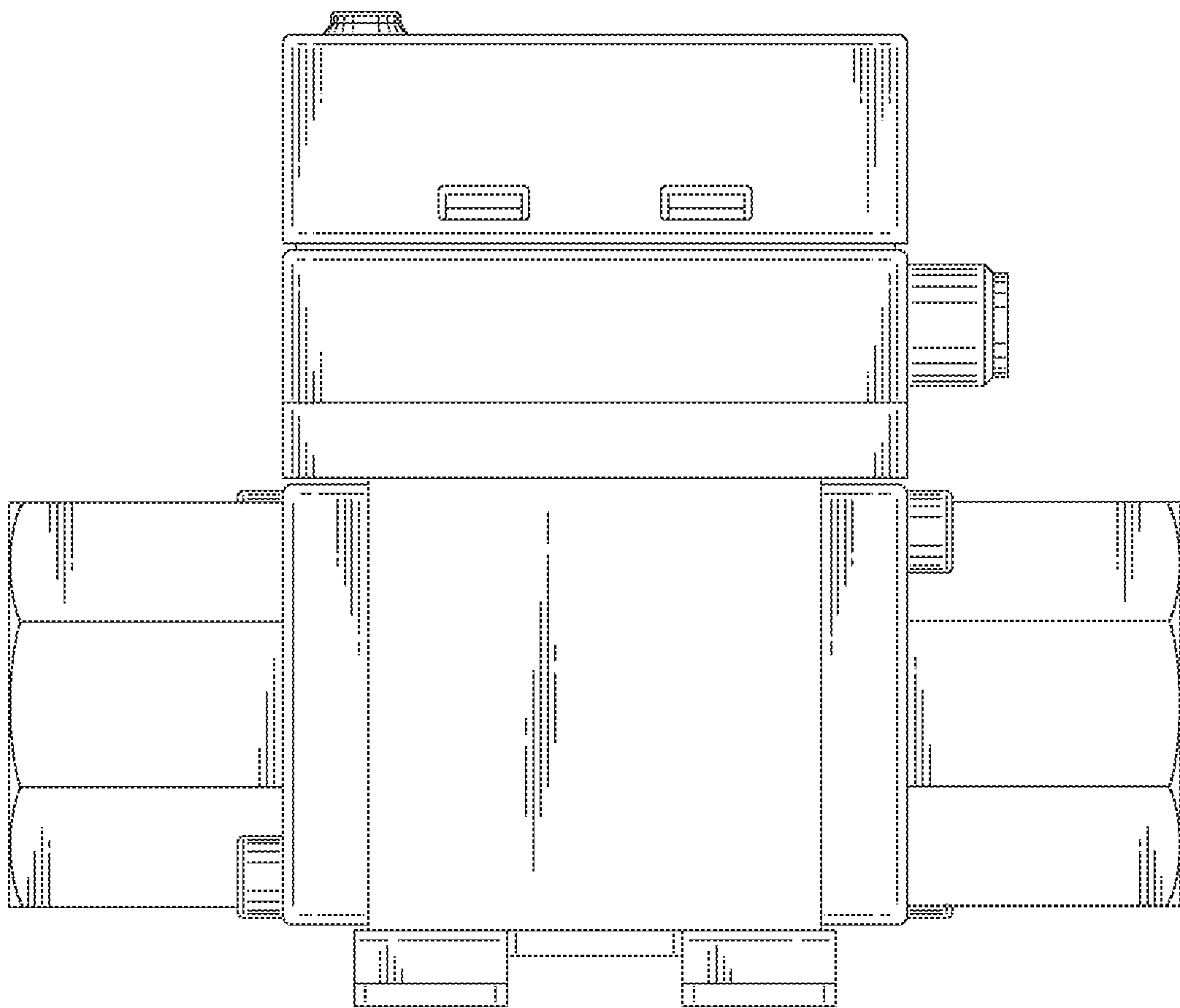


FIG. 3

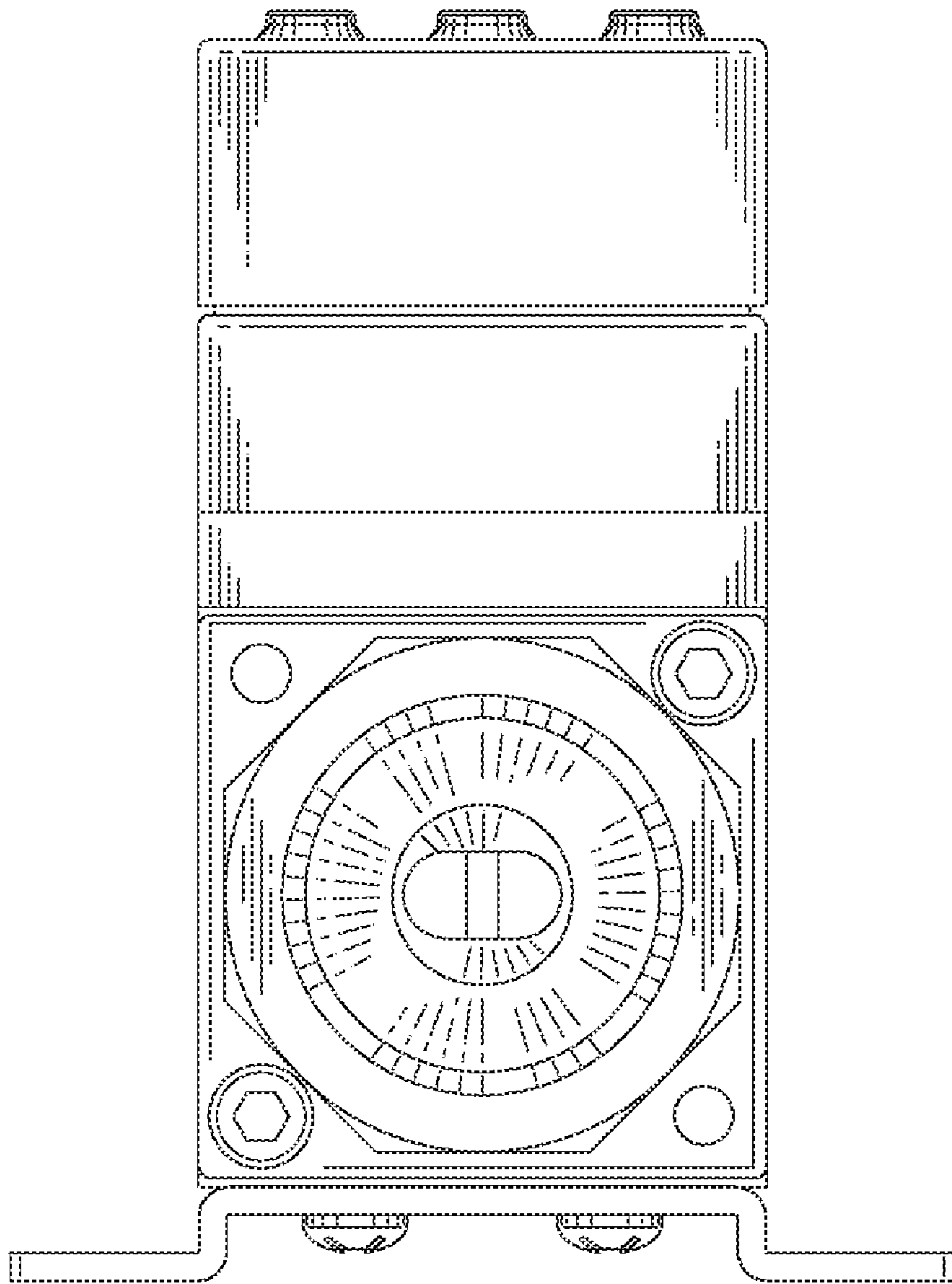


FIG. 4

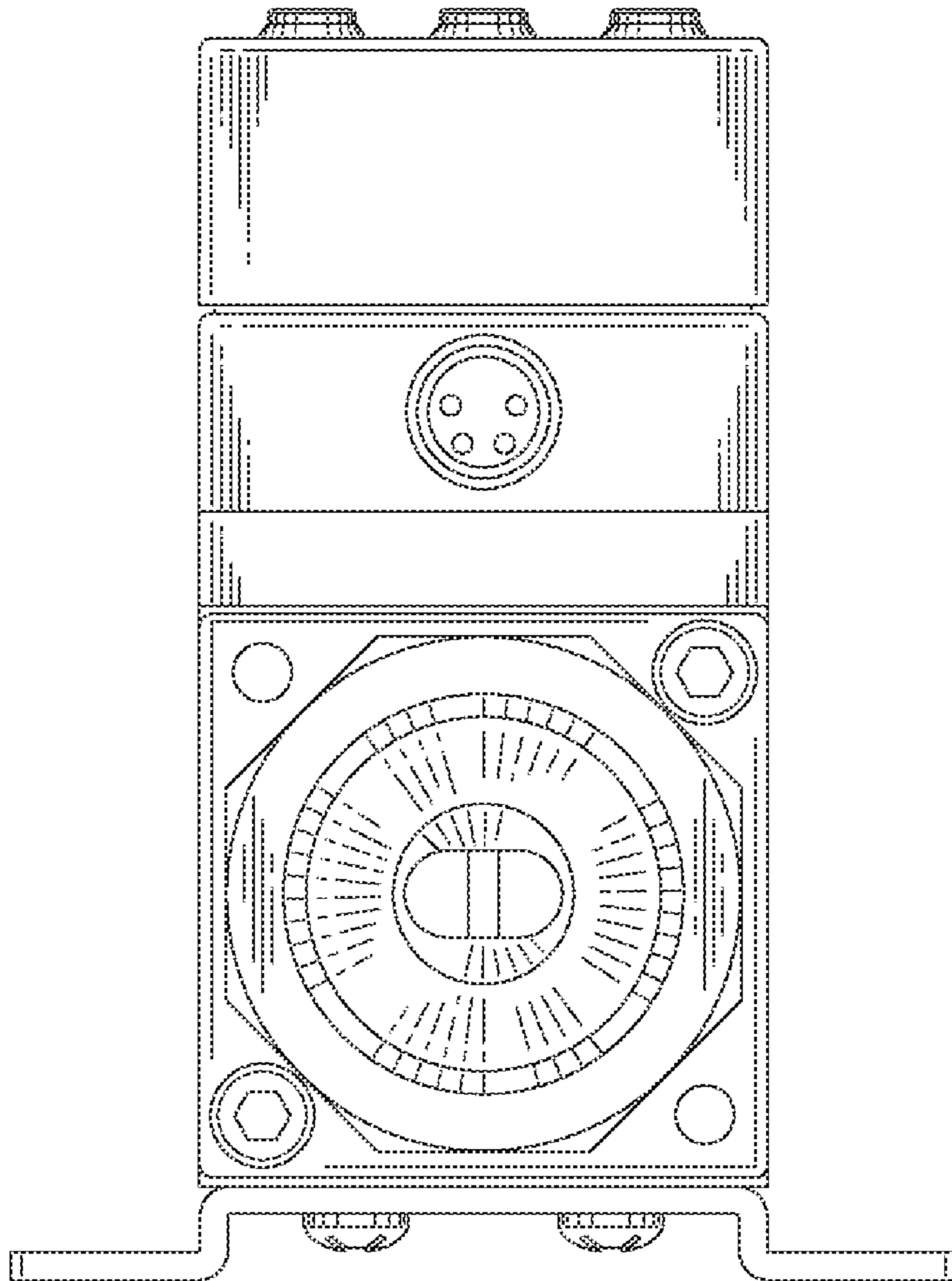


FIG. 5

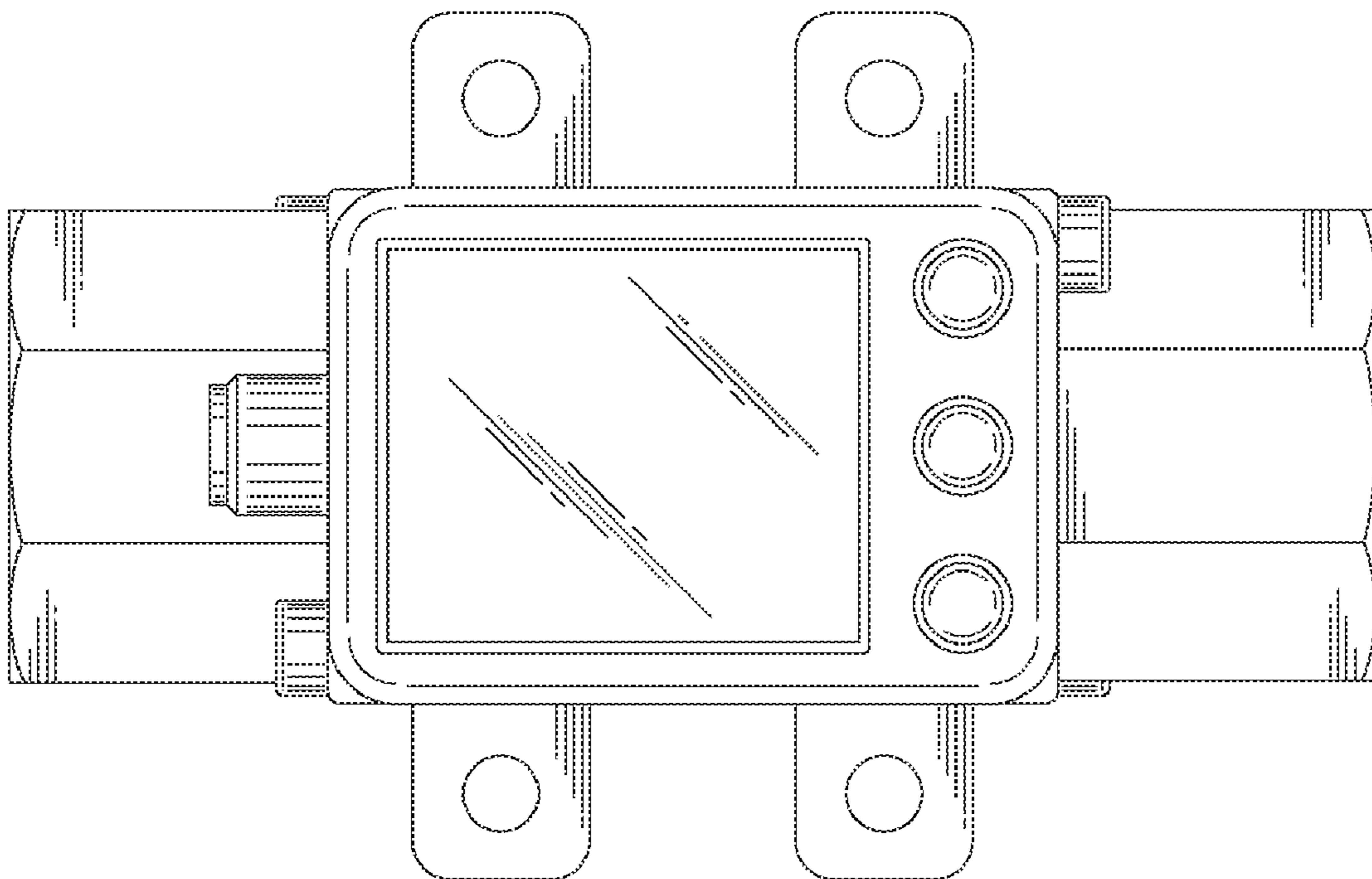


FIG. 6

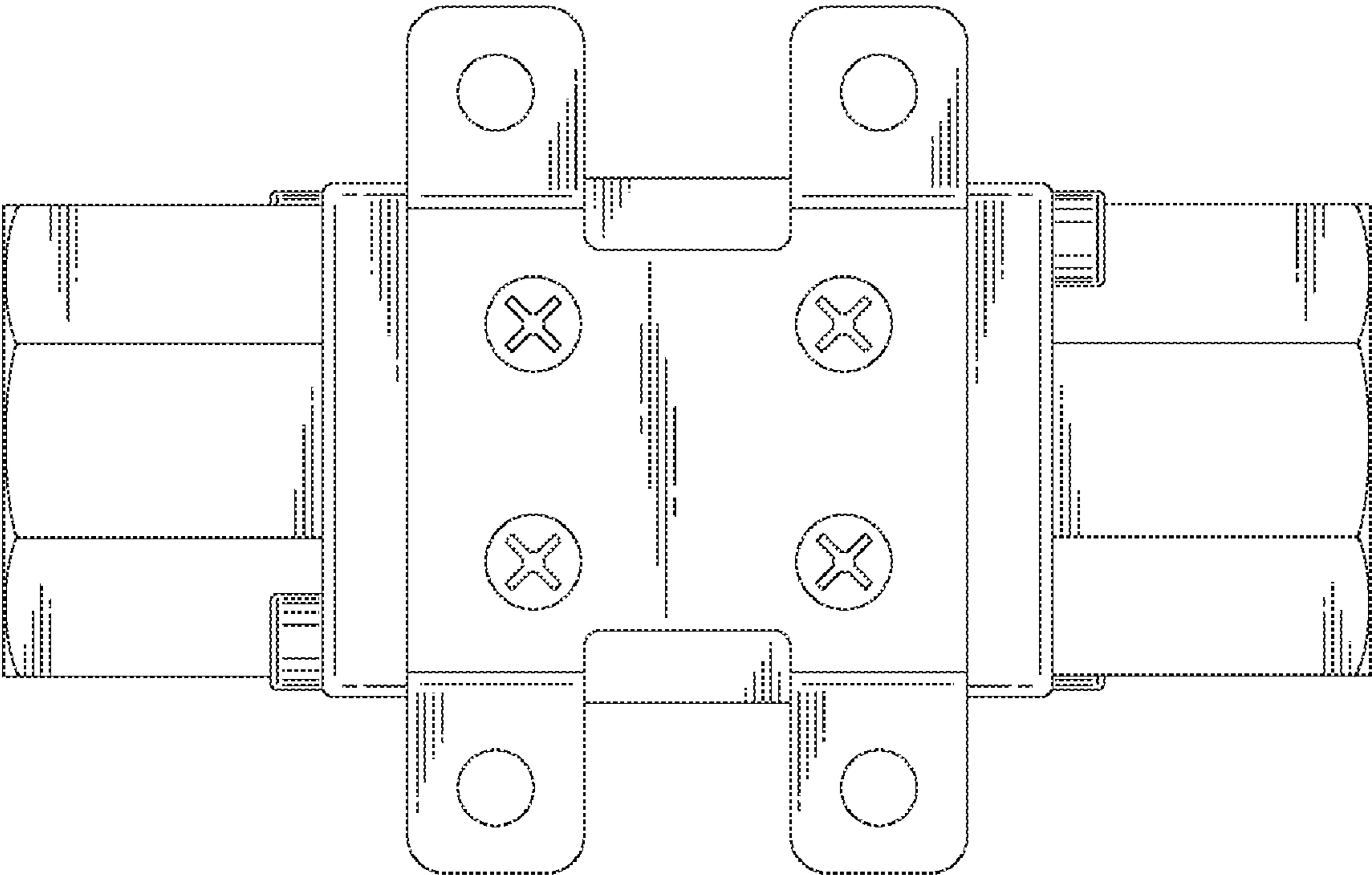


FIG. 7

