



US00D601223S

(12) **United States Design Patent**  
**Tremblay et al.**

(10) **Patent No.:** **US D601,223 S**  
(45) **Date of Patent:** **\*\* Sep. 29, 2009**

(54) **HANDPIECE FOR COMPRESSED AIR GUN**

(75) Inventors: **Thomas C. Tremblay**, Concord, MA (US); **Mark W. Yorns**, Longmeadow, MA (US)

(73) Assignee: **Guardair Corporation**, Chicopee, MA (US)

(\*\*) Term: **14 Years**

(21) Appl. No.: **29/337,659**

(22) Filed: **May 27, 2009**

3,780,949 A	12/1973	Gavin
3,827,188 A	8/1974	Fuma et al.
3,967,341 A	7/1976	Gavin
3,980,238 A	9/1976	Adiletta
4,091,999 A	5/1978	Voos
D250,115 S	10/1978	Kawamura
D254,833 S	4/1980	Cooper
D280,338 S	8/1985	Skarsten
4,919,334 A	4/1990	Hartmann et al.
5,031,839 A	7/1991	Waldrum
5,176,327 A	1/1993	Petersen et al.
5,236,129 A	8/1993	Grime et al.
5,322,221 A	6/1994	Anderson

(Continued)

**Related U.S. Application Data**

(63) Continuation of application No. 11/468,551, filed on Aug. 30, 2006.

(51) **LOC (9) Cl.** ..... **23-01**

(52) **U.S. Cl.** ..... **D23/226**

(58) **Field of Classification Search** ..... D23/213, D23/223, 226; 239/586, 525-526, 291

See application file for complete search history.

(56) **References Cited**

**U.S. PATENT DOCUMENTS**

2,052,622 A	9/1936	Hale	
2,140,903 A *	12/1938	Fisk	239/119
2,320,964 A	6/1943	Yates	
2,604,361 A	7/1952	Yates	
2,645,528 A	7/1953	Thorsen	
2,783,092 A	2/1957	Gavin et al.	
D179,859 S	3/1957	Mortimore	
D181,979 S	1/1958	Hungate	
D183,070 S	6/1958	Stillson	
3,125,883 A	3/1964	Wollner	
D202,216 S	9/1965	Liljemark	
3,343,804 A *	9/1967	Pinke	251/241
3,363,839 A	1/1968	Bowman	
3,580,511 A	5/1971	Hammelman et al.	
3,711,028 A *	1/1973	Hengesbach	239/288.5
D228,235 S	8/1973	Otto	
3,774,847 A	11/1973	Malec	

**OTHER PUBLICATIONS**

Brochure for Guardair Corp. Force 5 Air gun, which was first offered for sale as early as Apr. 1, 2005.

(Continued)

*Primary Examiner*—Robin V Webster

(74) *Attorney, Agent, or Firm*—Scott E. Kamholz; Foley Hoag LLP

(57) **CLAIM**

The ornamental design for a handpiece for a compressed air gun, as shown and described.

**DESCRIPTION**

FIG. 1 is a perspective view showing the design for a handpiece for a compressed air gun;

FIG. 2 is a top plan view showing the design;

FIG. 3 is a bottom plan view showing the design;

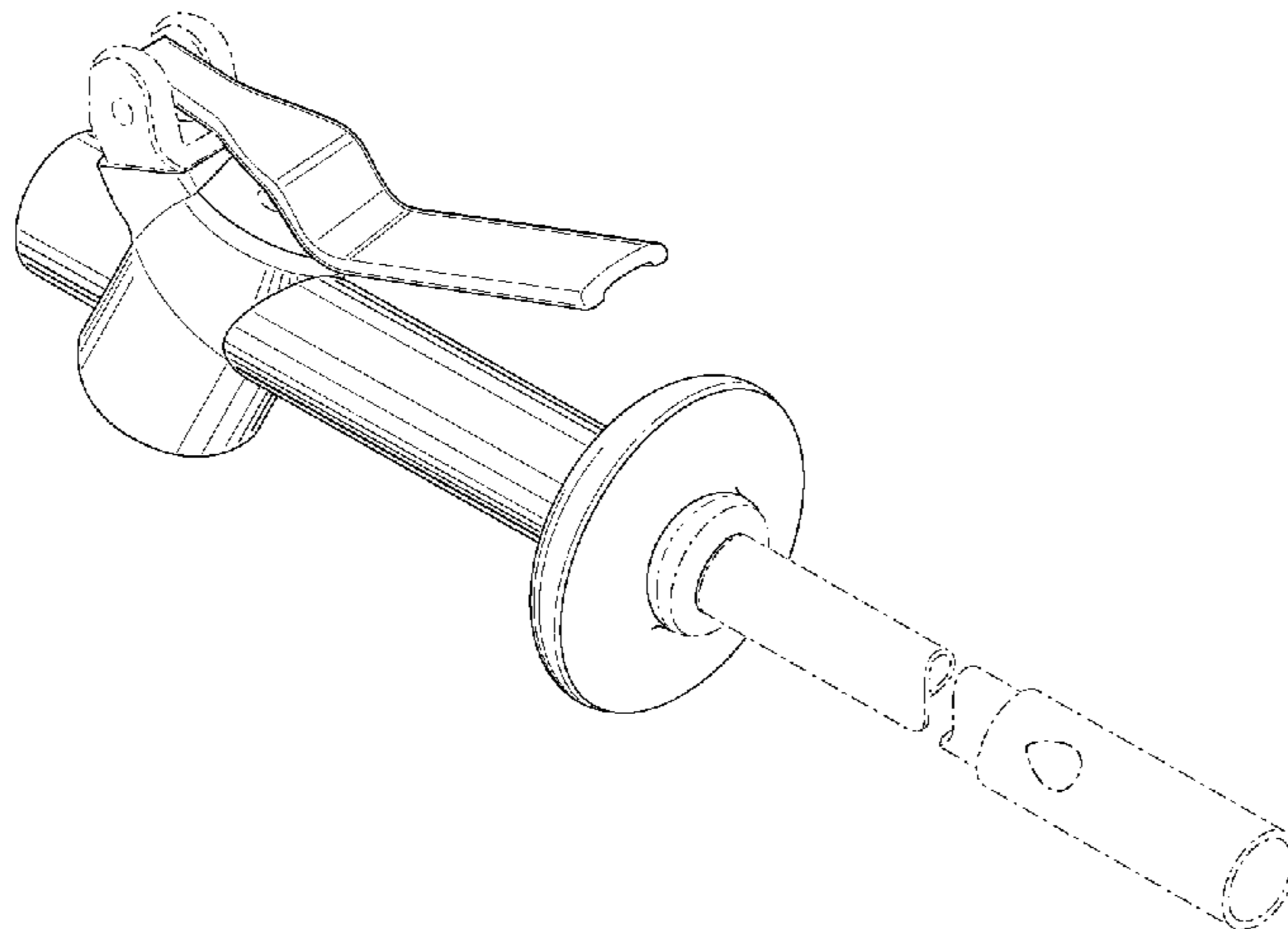
FIG. 4 is a side elevation view showing the design, the other side being a mirror image thereof;

FIG. 5 is a front elevation view showing the design; and,

FIG. 6 is a rear elevation view showing the design.

Broken lines shown in the drawings are for illustrative purposes only and do not form part of the claimed design.

**1 Claim, 4 Drawing Sheets**



# US D601,223 S

Page 2

## U.S. PATENT DOCUMENTS

5,325,995	A	7/1994	Harrison et al.	6,915,967	B1	7/2005	Chen
5,464,155	A	11/1995	Schutter	D511,808	S	11/2005	Chen
5,603,364	A	2/1997	Kerssies	D512,122	S	11/2005	Yorns et al.
5,634,840	A	6/1997	Watkins	6,976,640	B2	12/2005	Chen
5,722,595	A *	3/1998	Parisi ..... 239/288	7,104,262	B2	9/2006	Yorns et al.
5,735,459	A	4/1998	Kropf	7,216,816	B2	5/2007	Hammarth et al.
5,782,414	A	7/1998	Nathenson	D561,874	S	2/2008	Downey et al.
5,860,232	A	1/1999	Nathenson et al.	D564,069	S	3/2008	Yorns et al.
D408,830	S	4/1999	Nathenson et al.	D565,153	S	3/2008	Downey et al.
5,934,568	A	8/1999	Brown	7,389,949	B2	6/2008	Marchand et al.
5,966,847	A	10/1999	Nathenson et al.	D572,097	S	7/2008	Yung-Kuan
D435,207	S	12/2000	Nathenson et al.	D574,465	S	8/2008	Rigolio
6,158,152	A	12/2000	Nathenson et al.	D582,511	S	12/2008	Downey et al.
6,422,485	B1 *	7/2002	Hsu ..... 239/526	7,516,911	B2 *	4/2009	Chung ..... 239/600
6,431,470	B2	8/2002	Berg	D592,277	S	5/2009	Yorns
6,467,705	B2	10/2002	Robidoux	2005/0098691	A1	5/2005	Yorns et al.
6,618,966	B2	9/2003	Russo et al.	2005/0218285	A1	10/2005	Yorns et al.
6,663,023	B1	12/2003	Jou	2008/0054104	A1	3/2008	Yorns et al.
D489,792	S	5/2004	Chen				
D497,661	S	10/2004	Chen et al.				
D505,712	S	5/2005	Huang et al.				
D507,036	S	7/2005	Khaitov				
D507,630	S	7/2005	Huang et al.				

## OTHER PUBLICATIONS

Photographs of a device that was observed in public use on Aug. 14, 2006 in Concord, Massachusetts.

\* cited by examiner

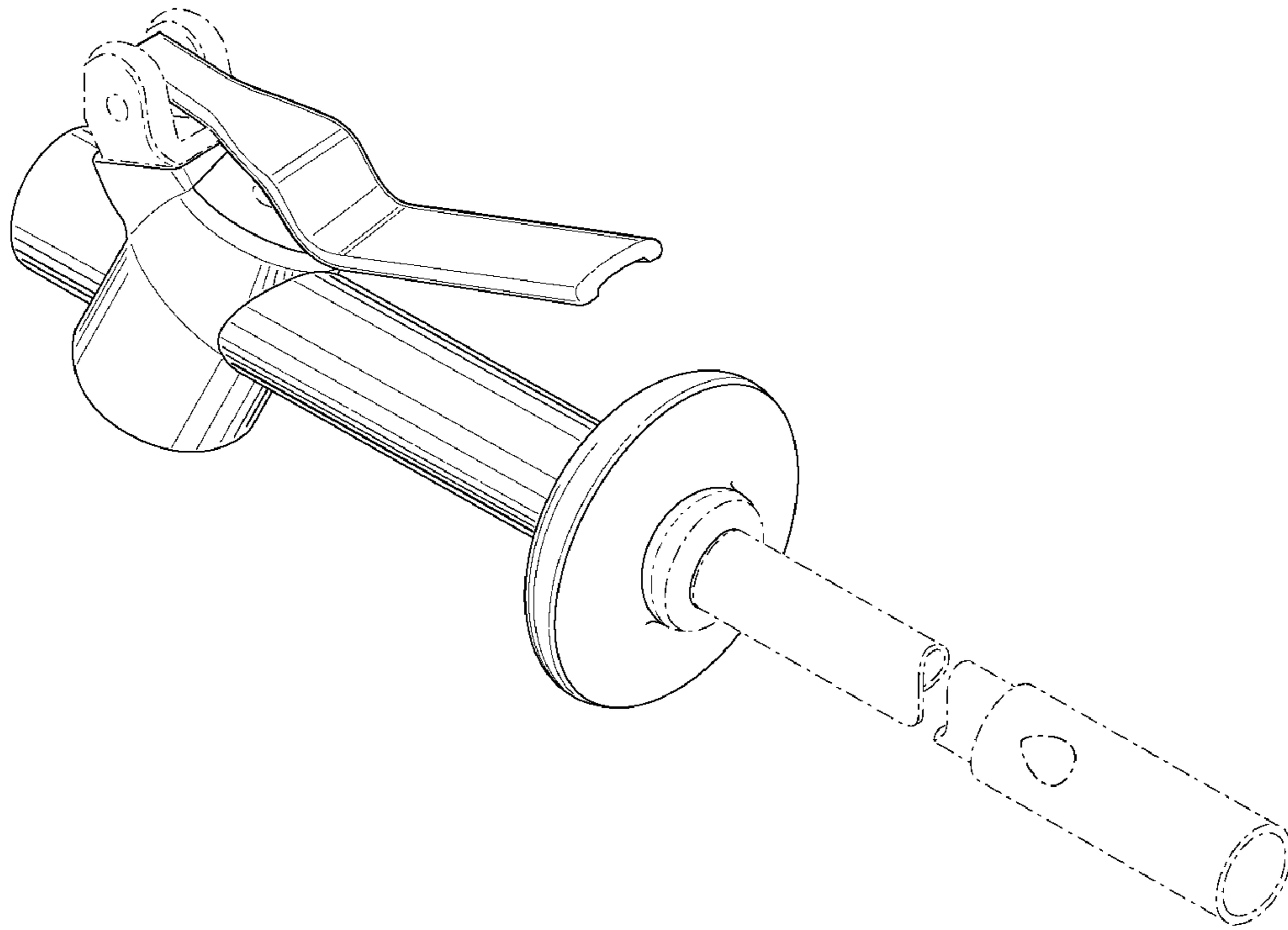


Fig. 1

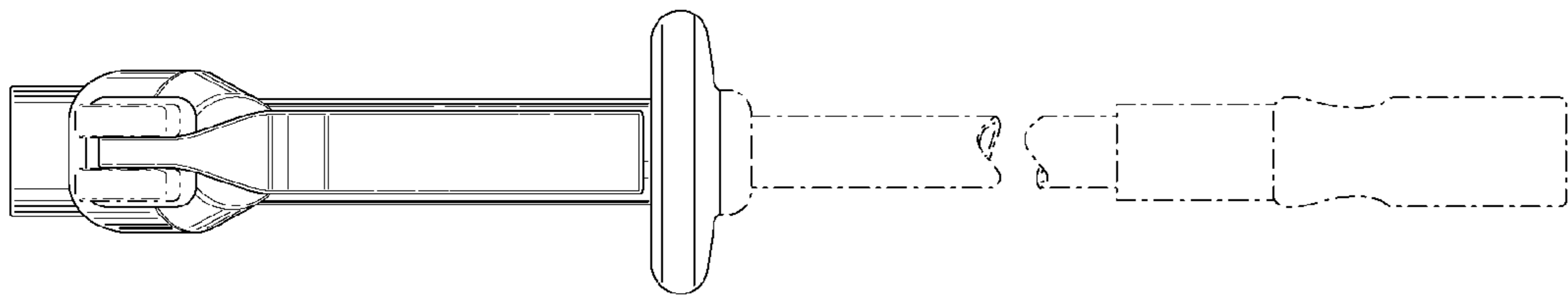


Fig. 2

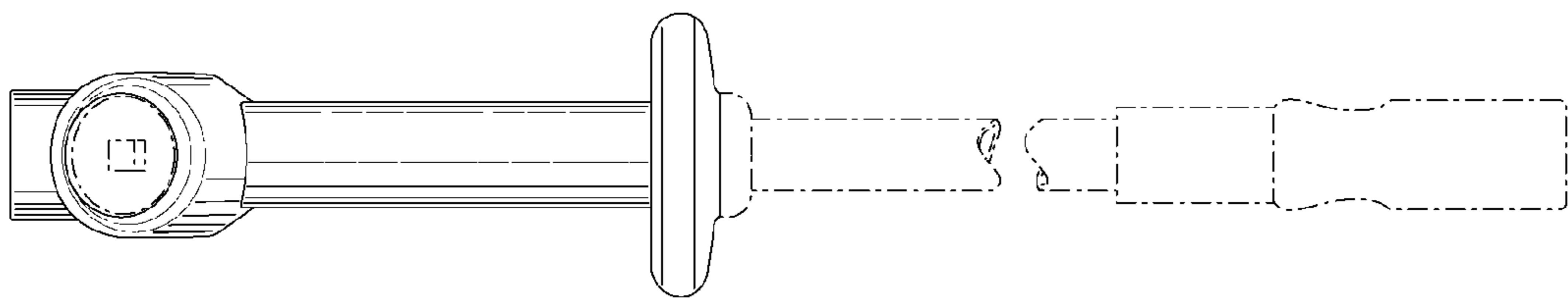


Fig. 3

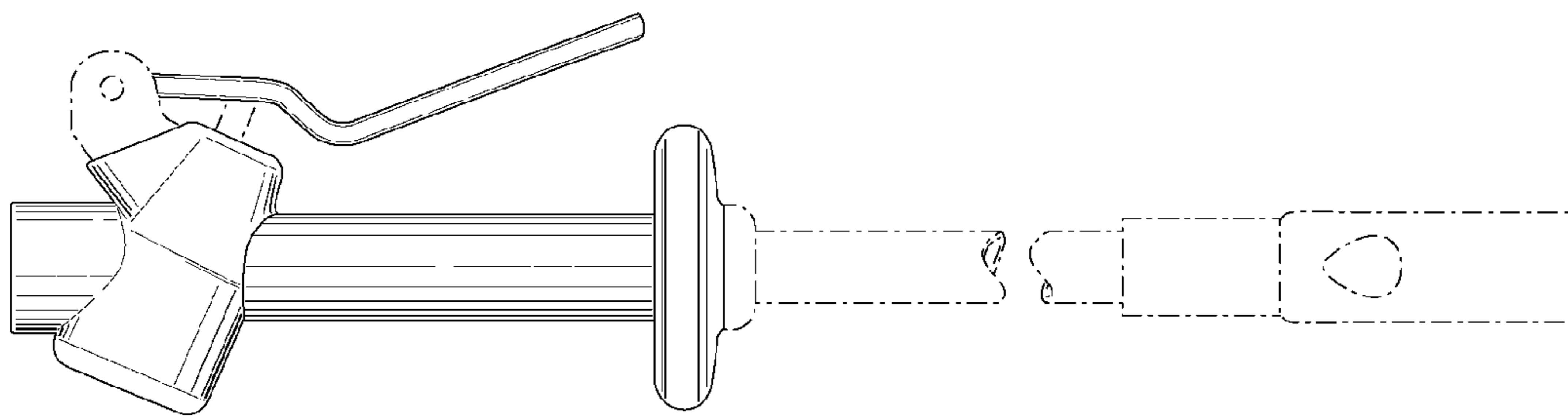


Fig. 4

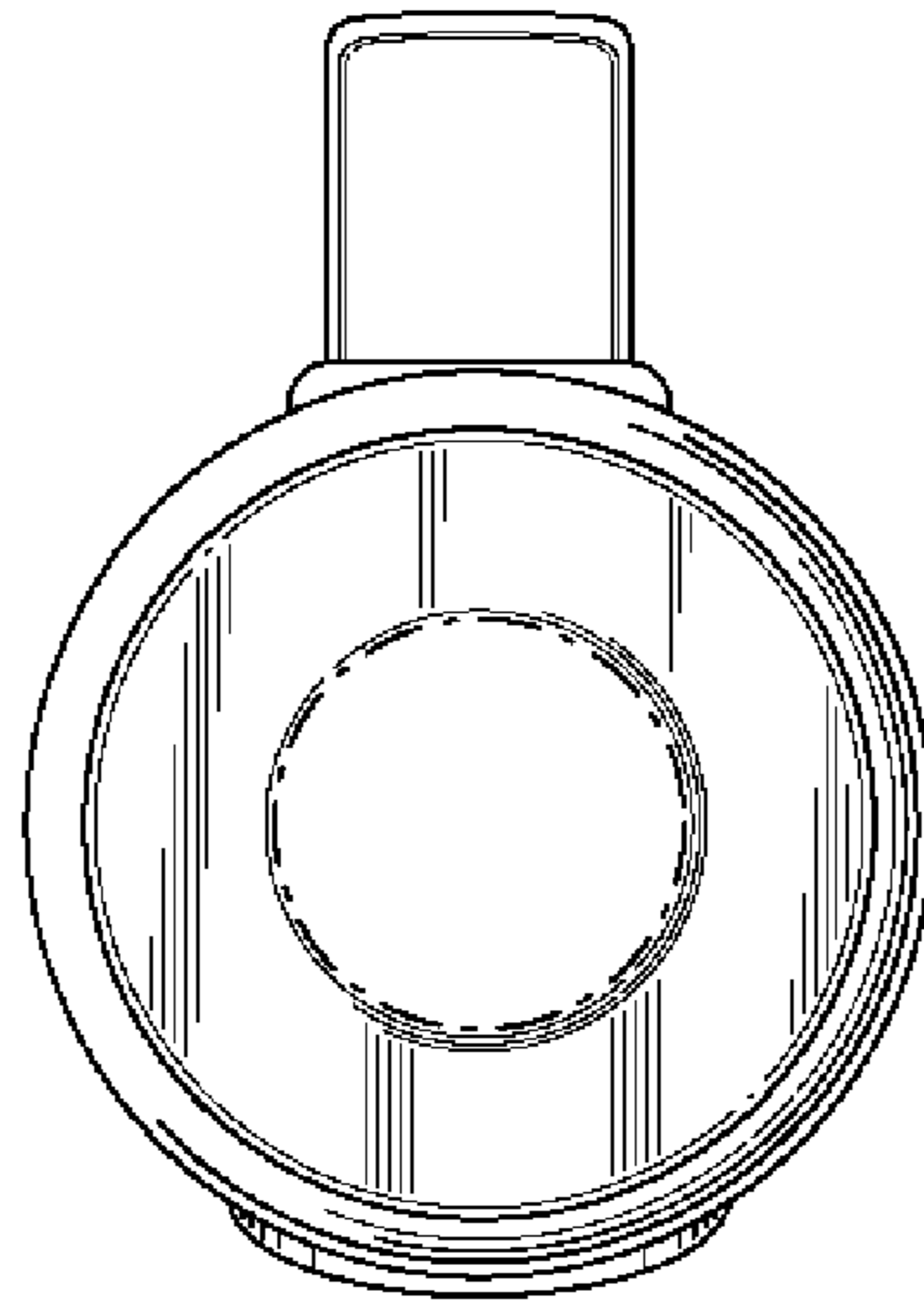


Fig. 5

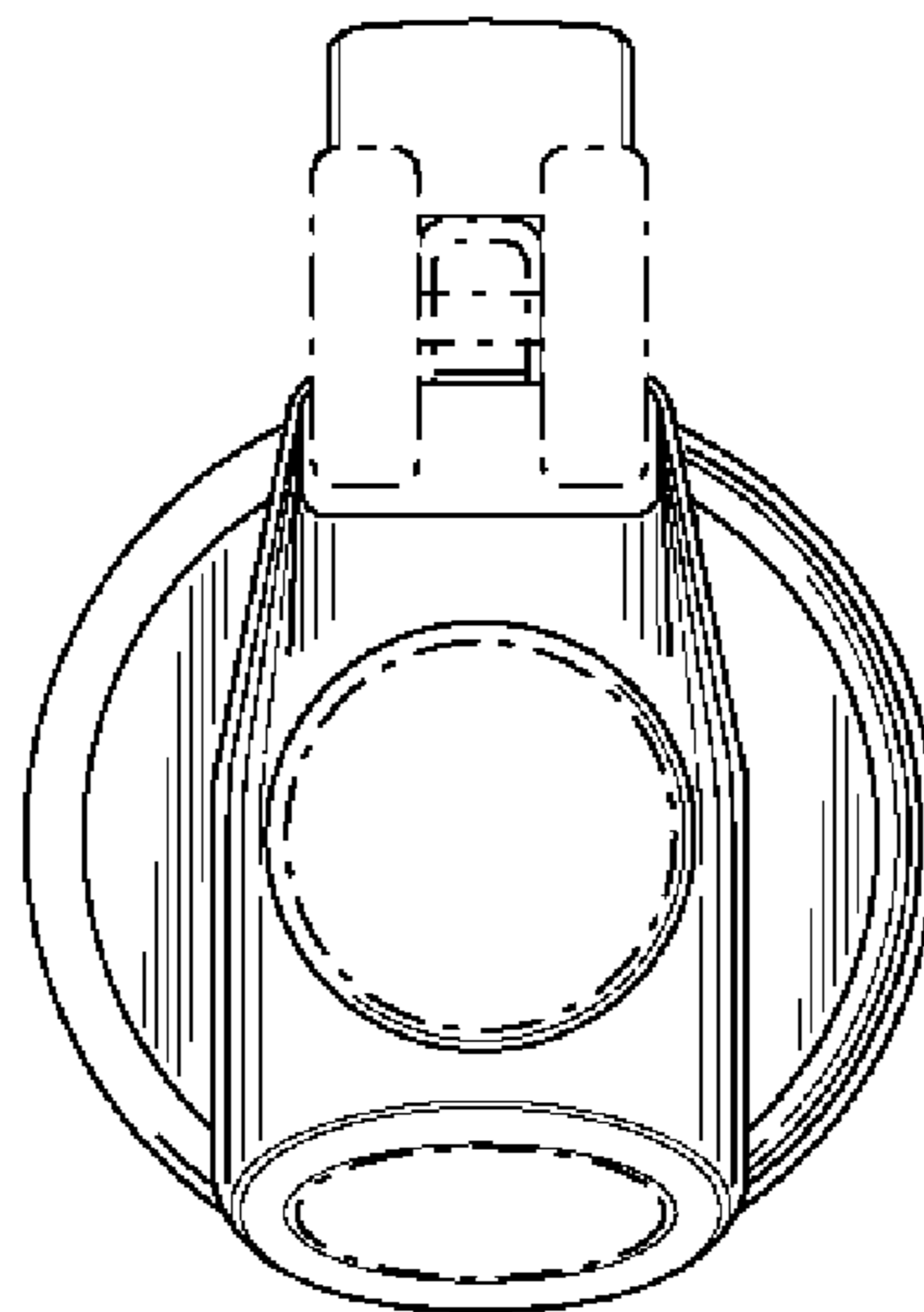


Fig. 6