



US00D601217S

(12) **United States Design Patent**
Jordan

(10) **Patent No.:** **US D601,217 S**
(45) **Date of Patent:** **** Sep. 29, 2009**

(54) **OPEN ROAD SPORTS BOARD**

(76) Inventor: **Christopher Jordan**, 1201 S. Douglas,
Midwest City, OK (US) 73110

(**) Term: **14 Years**

(21) Appl. No.: **29/313,193**

(22) Filed: **Dec. 15, 2008**

(51) **LOC (9) Cl.** **21-02**

(52) **U.S. Cl.** **D21/765**

(58) **Field of Classification Search** D21/423,
D21/760, 764, 765, 771; 280/7.14, 11.115,
280/11.27, 11.28, 14.21, 87.01, 87.021, 87.03,
280/87.041, 87.042, 609, 809, 843
See application file for complete search history.

(56) **References Cited**

U.S. PATENT DOCUMENTS

3,362,722	A *	1/1968	Core	280/87.041
3,630,540	A	12/1971	Smith		
3,795,409	A *	3/1974	Cudmore	280/87.042
3,995,873	A *	12/1976	Pantzar	280/87.042
4,047,727	A *	9/1977	Holladay et al.	280/87.042
5,390,958	A	2/1995	Soo		
5,549,331	A *	8/1996	Yun et al.	280/843
5,580,096	A	12/1996	Freilich		
5,645,291	A	7/1997	Ramage		
5,934,706	A	8/1999	Yiu		
6,019,382	A *	2/2000	Bouden	280/87.042
6,059,303	A	5/2000	Bradfield		
6,270,096	B1	8/2001	Cook		
6,343,803	B1	2/2002	Johnston		
6,375,204	B1	4/2002	Tu		

6,666,797	B1	12/2003	Martin		
6,698,776	B2	3/2004	Todd		
D498,810	S *	11/2004	Stanisewski, Jr.	D21/760
D505,468	S *	5/2005	Mejia	D21/765
D524,400	S	7/2006	Langford		
D529,565	S	10/2006	Warner		
D561,288	S	2/2008	Jordan		
7,441,787	B1 *	10/2008	Jordan	280/87.041
2001/0048205	A1	12/2001	Schouten		
2002/0011728	A1	1/2002	Osawa		
2002/0089137	A1	7/2002	Chang		
2003/0107199	A1	6/2003	DeSchinkel		
2004/0032113	A1 *	2/2004	Rancon et al.	280/609

* cited by examiner

Primary Examiner—Holly H Baynham
Assistant Examiner—Cynthia M Chin
(74) *Attorney, Agent, or Firm*—Randal D. Homburg

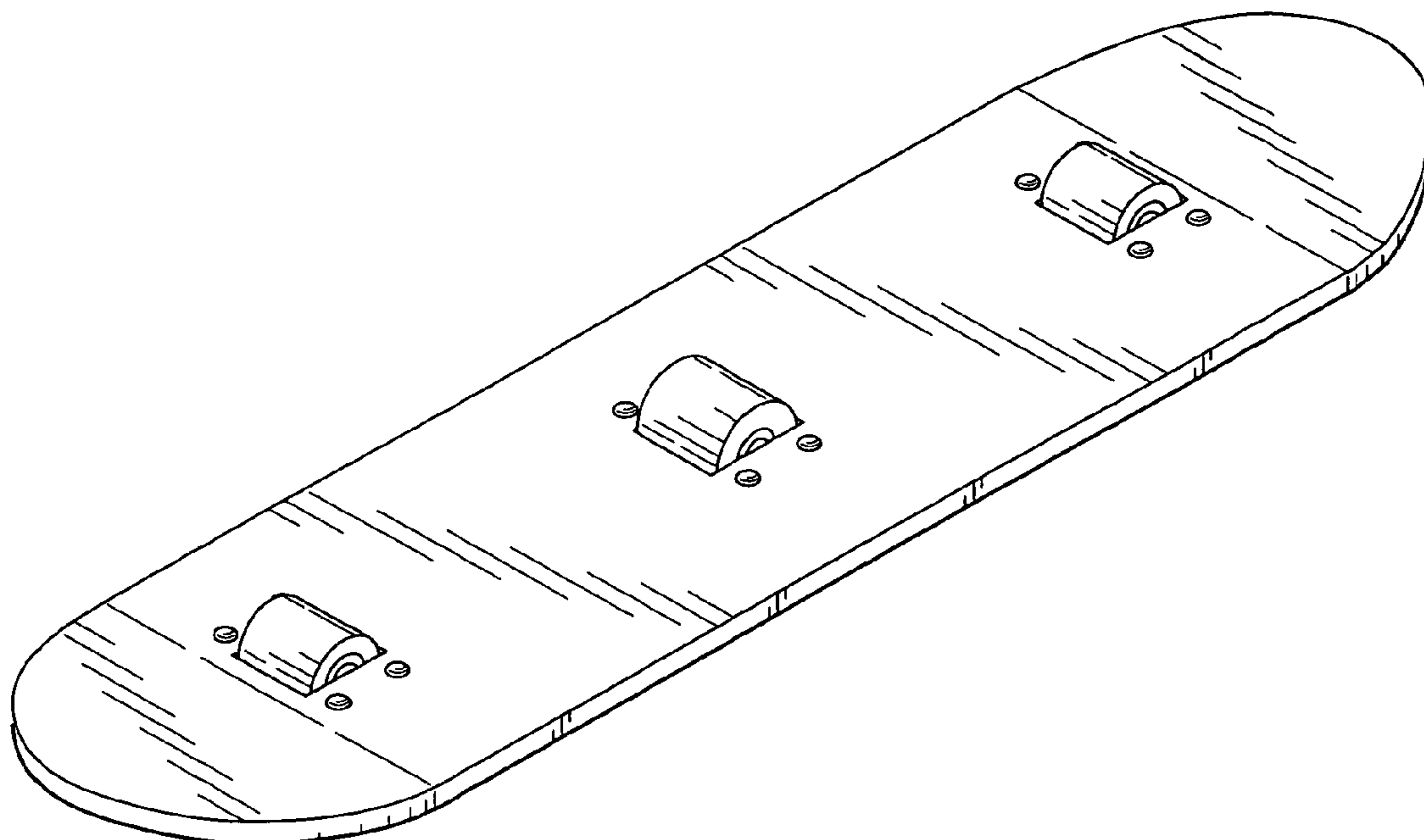
(57) **CLAIM**

The ornamental design for an open road sports board, as shown and described.

DESCRIPTION

FIG. 1 is an upper perspective view of the sports board.
FIG. 2 is a top side view of the sports board.
FIG. 3 is a bottom side view of the sports board.
FIG. 4 is a right side view of the sports board.
FIG. 5 is a left side view of the sports board.
FIG. 6 is a front end view of the sports board; and,
FIG. 7 is a rear end view of the sports board.

1 Claim, 2 Drawing Sheets



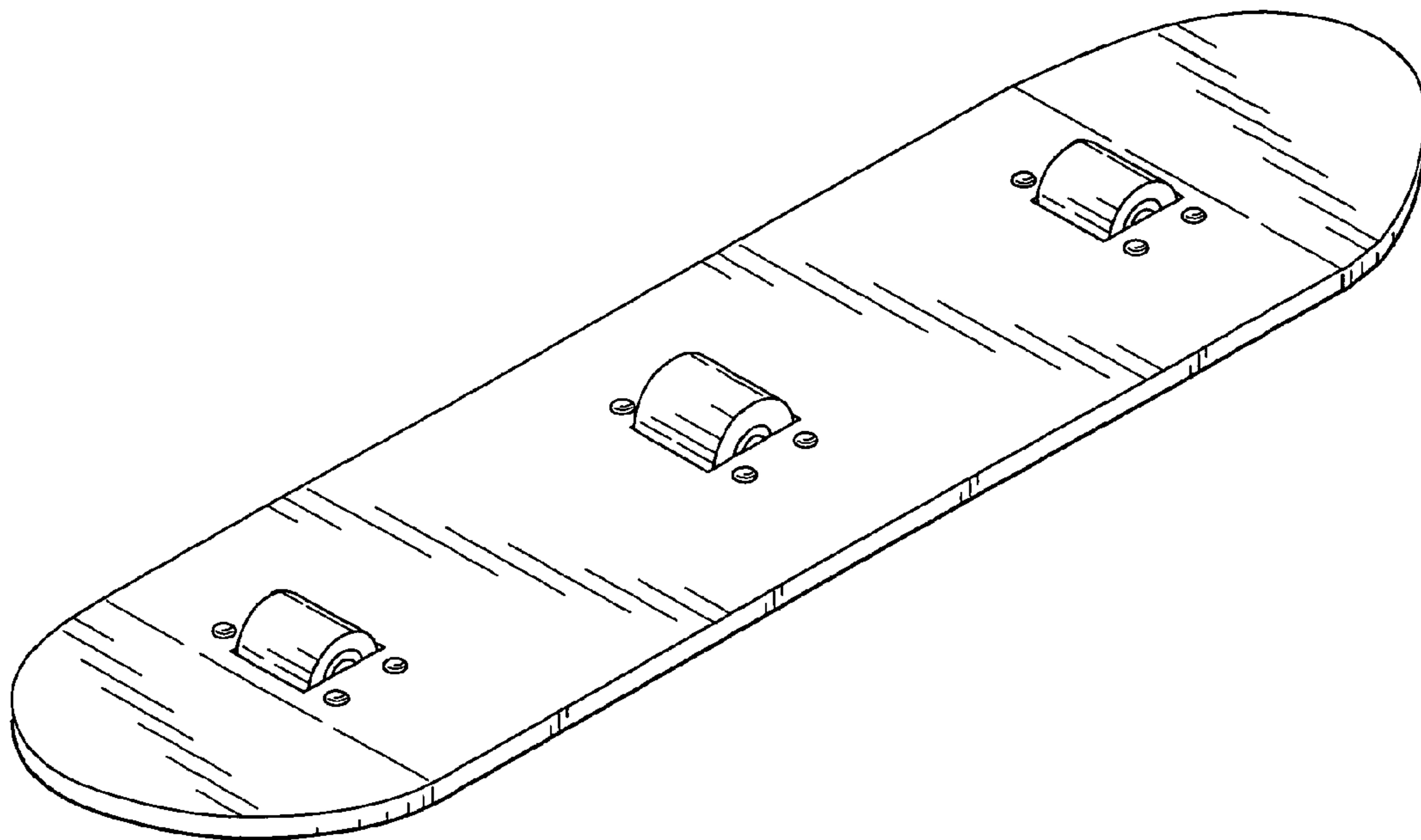


FIG. 1

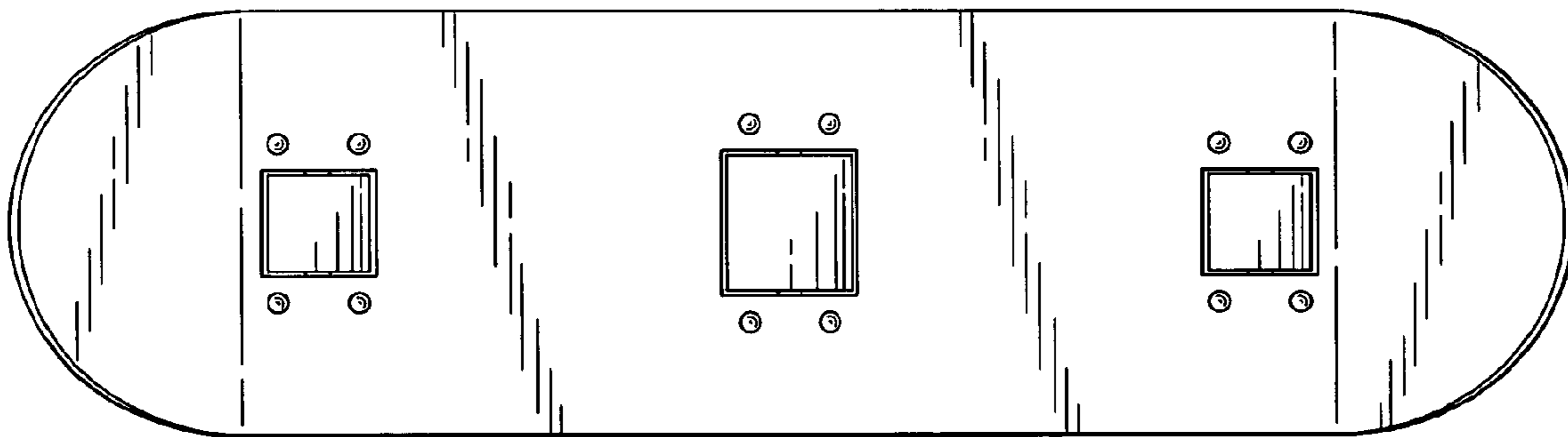


FIG. 2

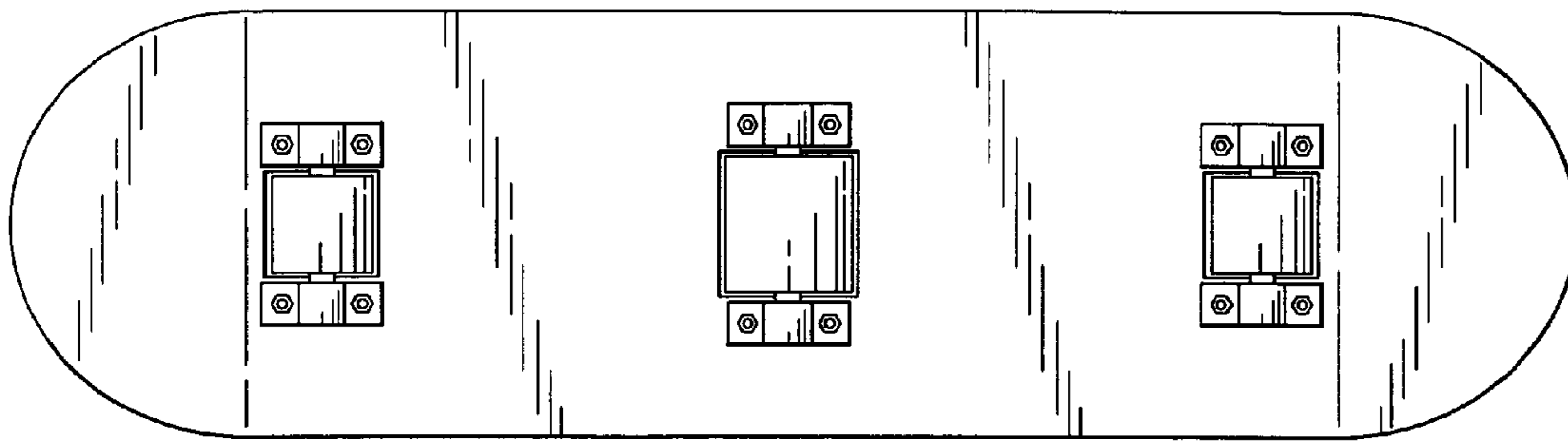


FIG. 3

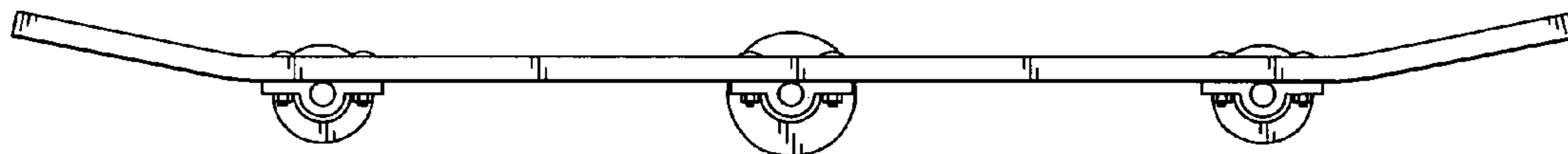


FIG. 4

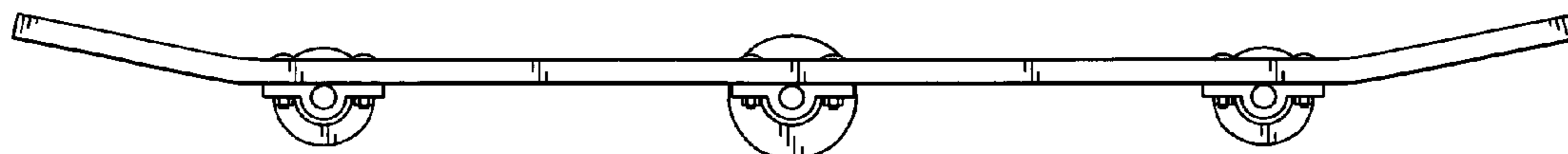


FIG. 5

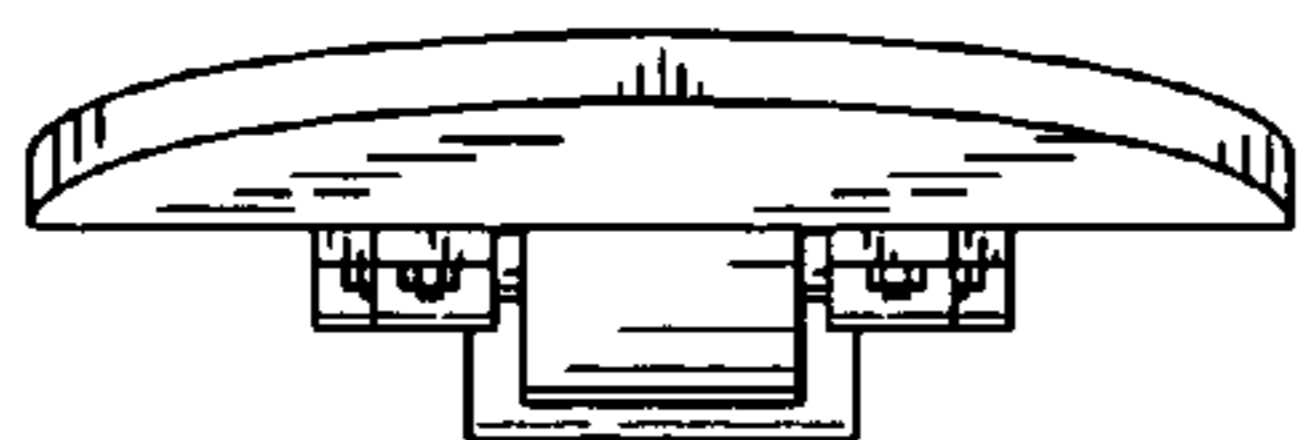


FIG. 6

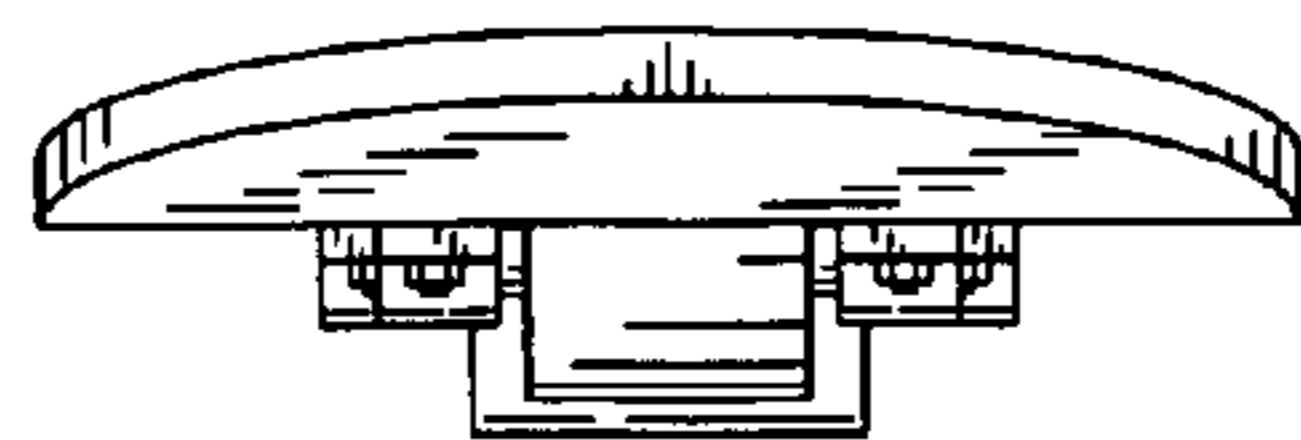


FIG. 7