



US00D601211S

(12) **United States Design Patent**
Wu

(10) **Patent No.:** **US D601,211 S**
(45) **Date of Patent:** **** Sep. 29, 2009**

(54) **VIBRATING MACHINE**

(76) Inventor: **Mu-Chuan Wu**, No. 462-7, Chung-Shan Rd., Hsi-Kang Chun, Hsi-Kang Hsiang, Tainan Hsien (TW)

(**) Term: **14 Years**

(21) Appl. No.: **29/331,312**

(22) Filed: **Jan. 23, 2009**

(51) **LOC (9) Cl.** **21-02**

(52) **U.S. Cl.** **D21/686**

(58) **Field of Classification Search** D21/662,
D21/671, 670, 686, 688, 689; 601/23, 49,
601/70

See application file for complete search history.

(56) **References Cited**

U.S. PATENT DOCUMENTS

D500,100	S	*	12/2004	van der Meer	D21/662
D518,533	S	*	4/2006	van der Meer	D21/662
D522,074	S	*	5/2006	Dummel	D21/662
D538,358	S	*	3/2007	Glier	D21/662
D548,291	S	*	8/2007	Chiang	D21/662
7,278,976	B1	*	10/2007	Chen	601/30
D559,924	S	*	1/2008	Wu	D21/661
D561,273	S	*	2/2008	Wu	D21/662
D571,416	S	*	6/2008	Wu	D21/662

D574,900	S	*	8/2008	Meile Marcel Tamminga	D21/662
D586,867	S	*	2/2009	Wu	D21/662
D591,804	S	*	5/2009	Tsuchida	D21/662
2005/0131319	A1	*	6/2005	der Meer	601/49

* cited by examiner

Primary Examiner—Philip S Hyder
(74) *Attorney, Agent, or Firm*—patenttm.us

(57) **CLAIM**

The ornamental design for a vibrating machine, as shown and described.

DESCRIPTION

FIG. 1 is a perspective view of a vibrating machine showing my new design;

FIG. 2 is a front view thereof;

FIG. 3 is a rear view thereof;

FIG. 4 is a left view thereof;

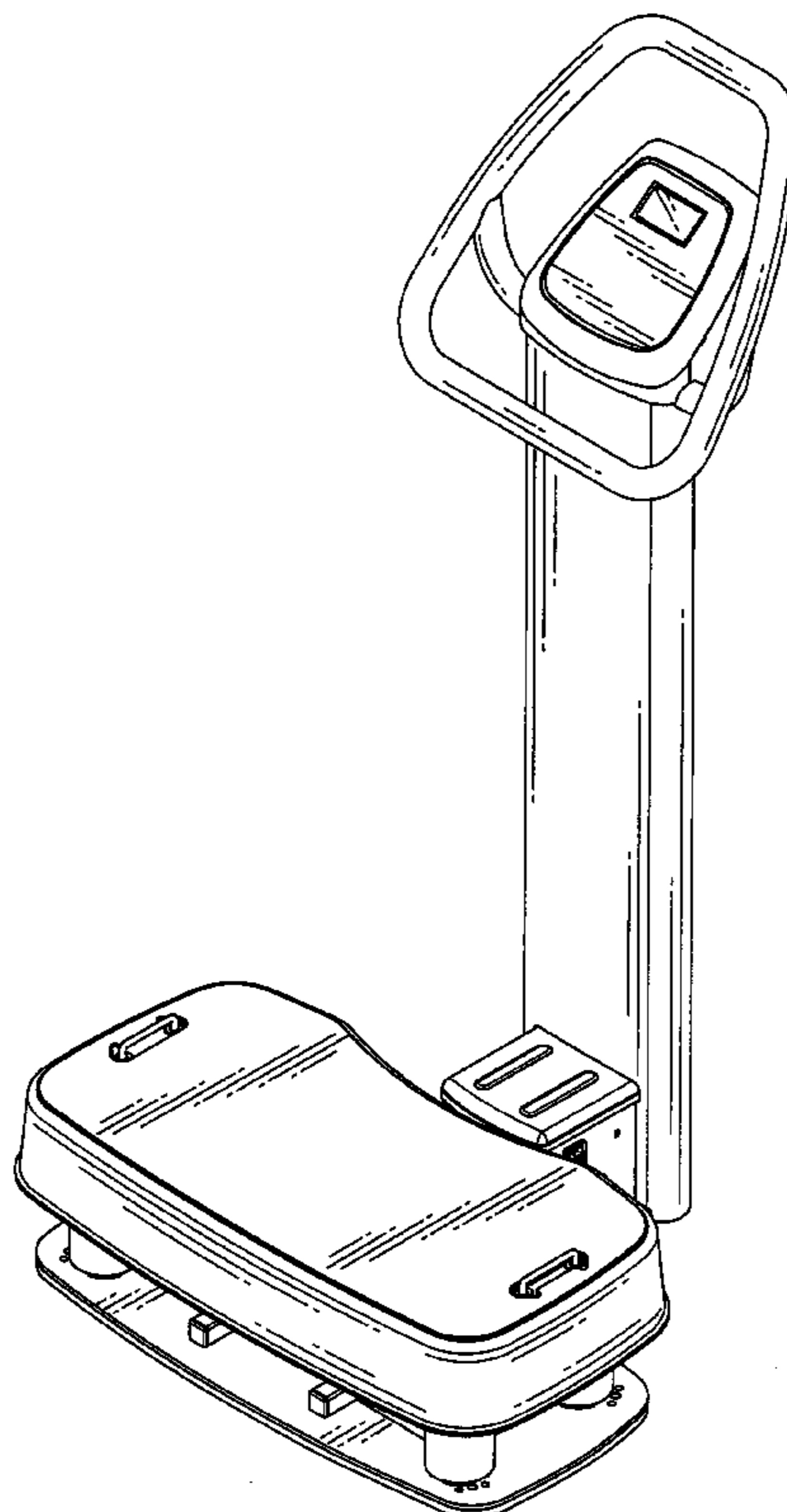
FIG. 5 is a right view thereof;

FIG. 6 is a top view thereof;

FIG. 7 is a bottom view thereof; and,

FIG. 8 is another perspective view thereof.

1 Claim, 8 Drawing Sheets



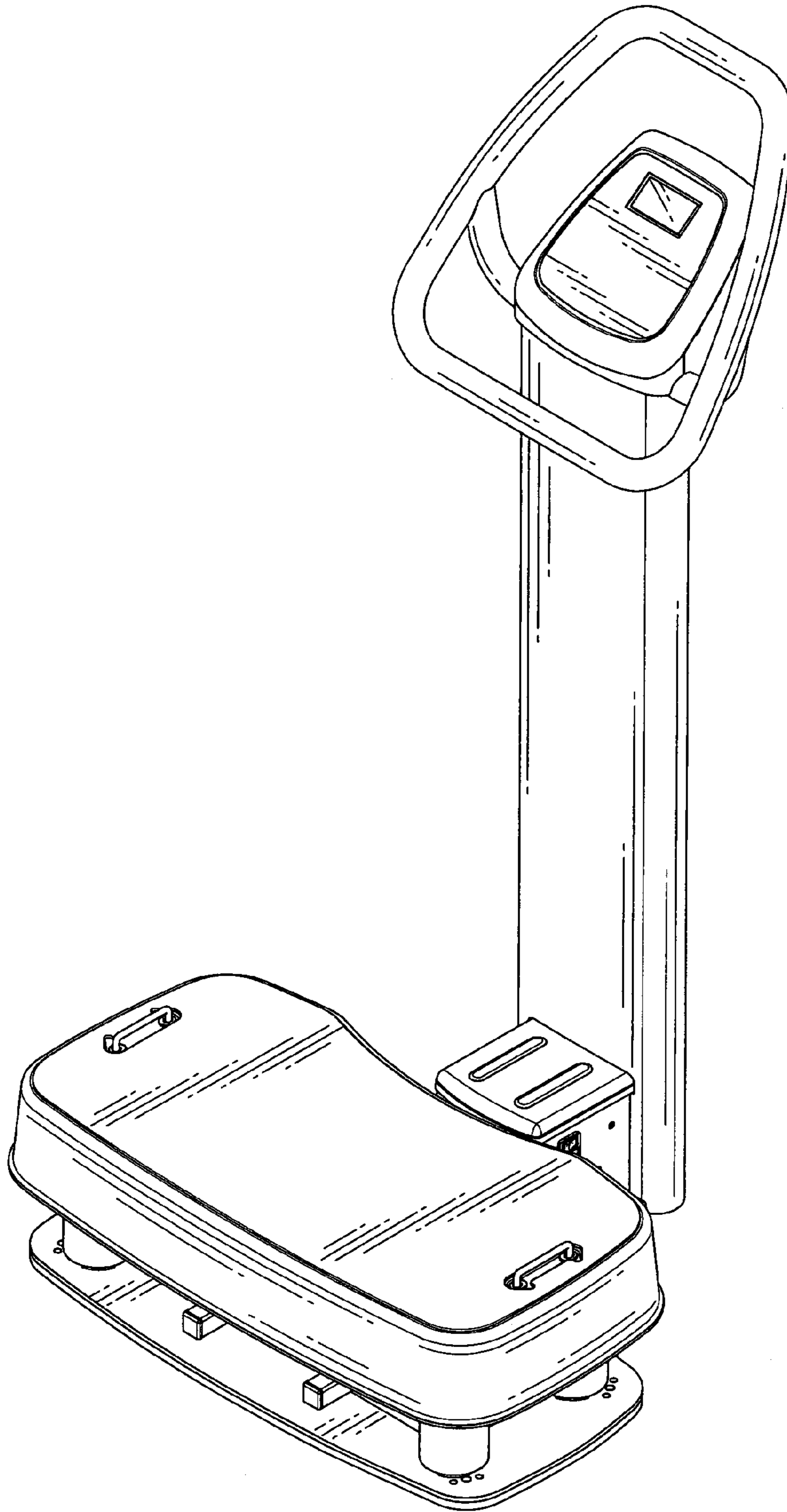


FIG.1

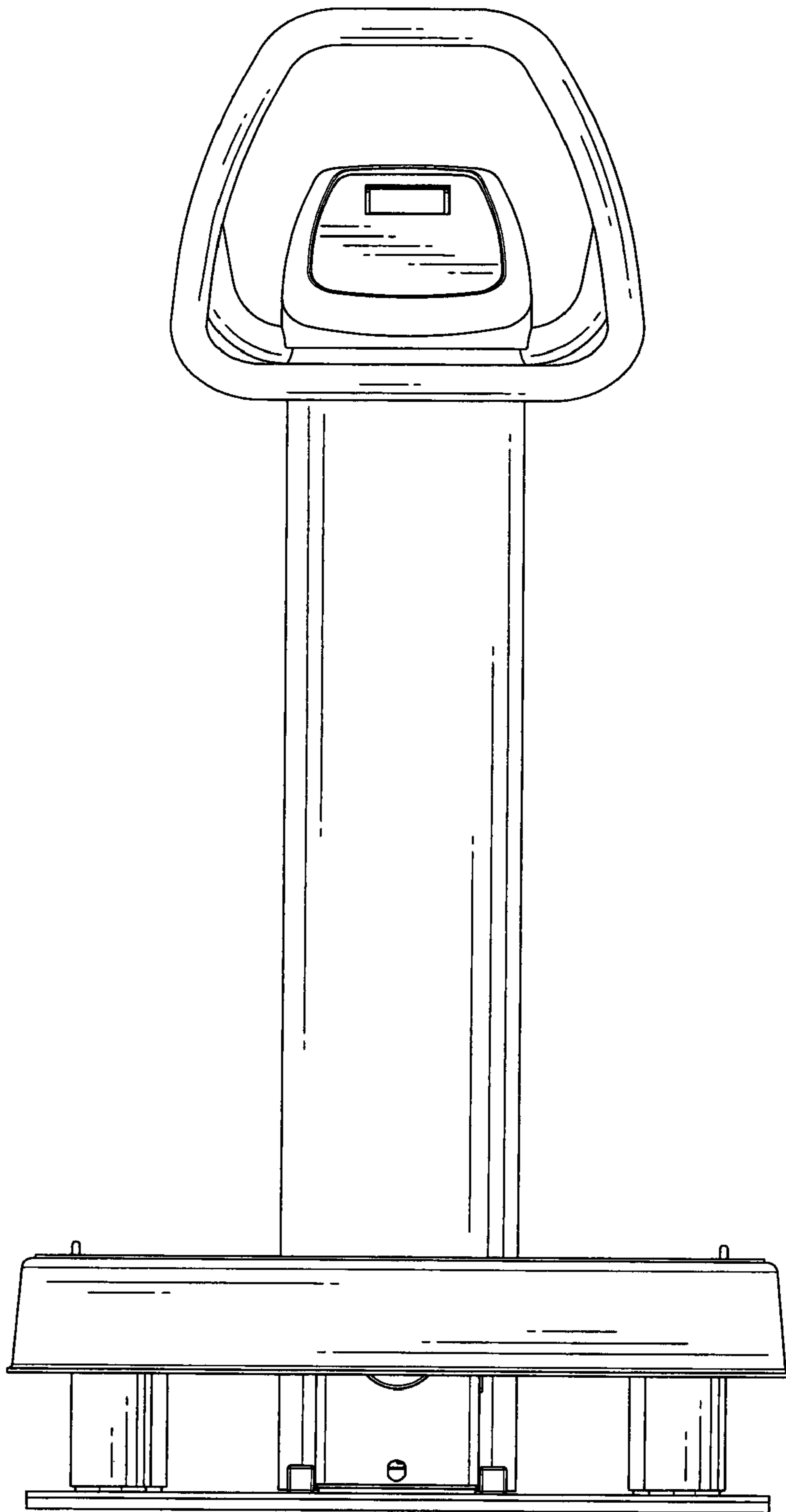


FIG.2

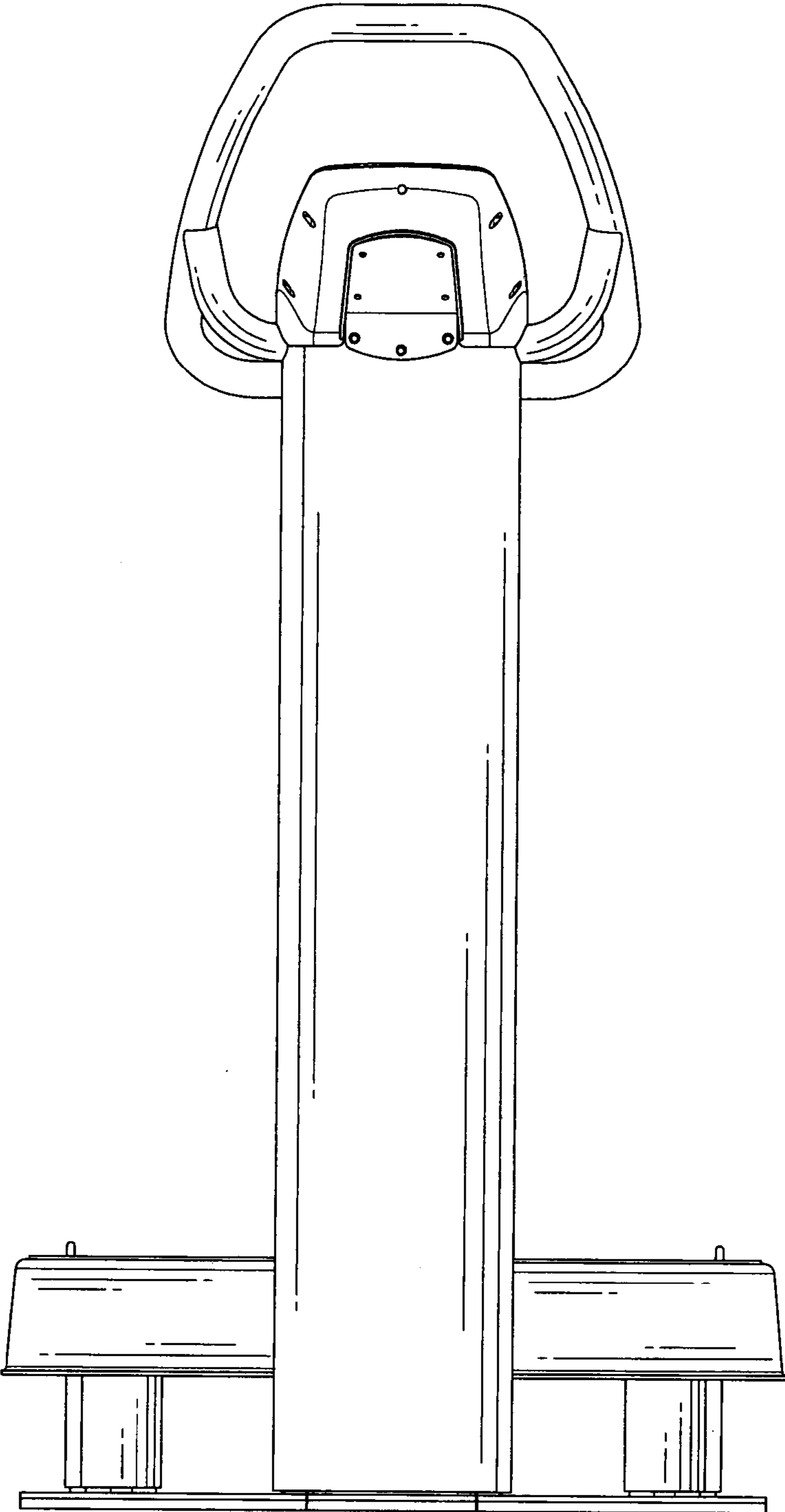


FIG.3

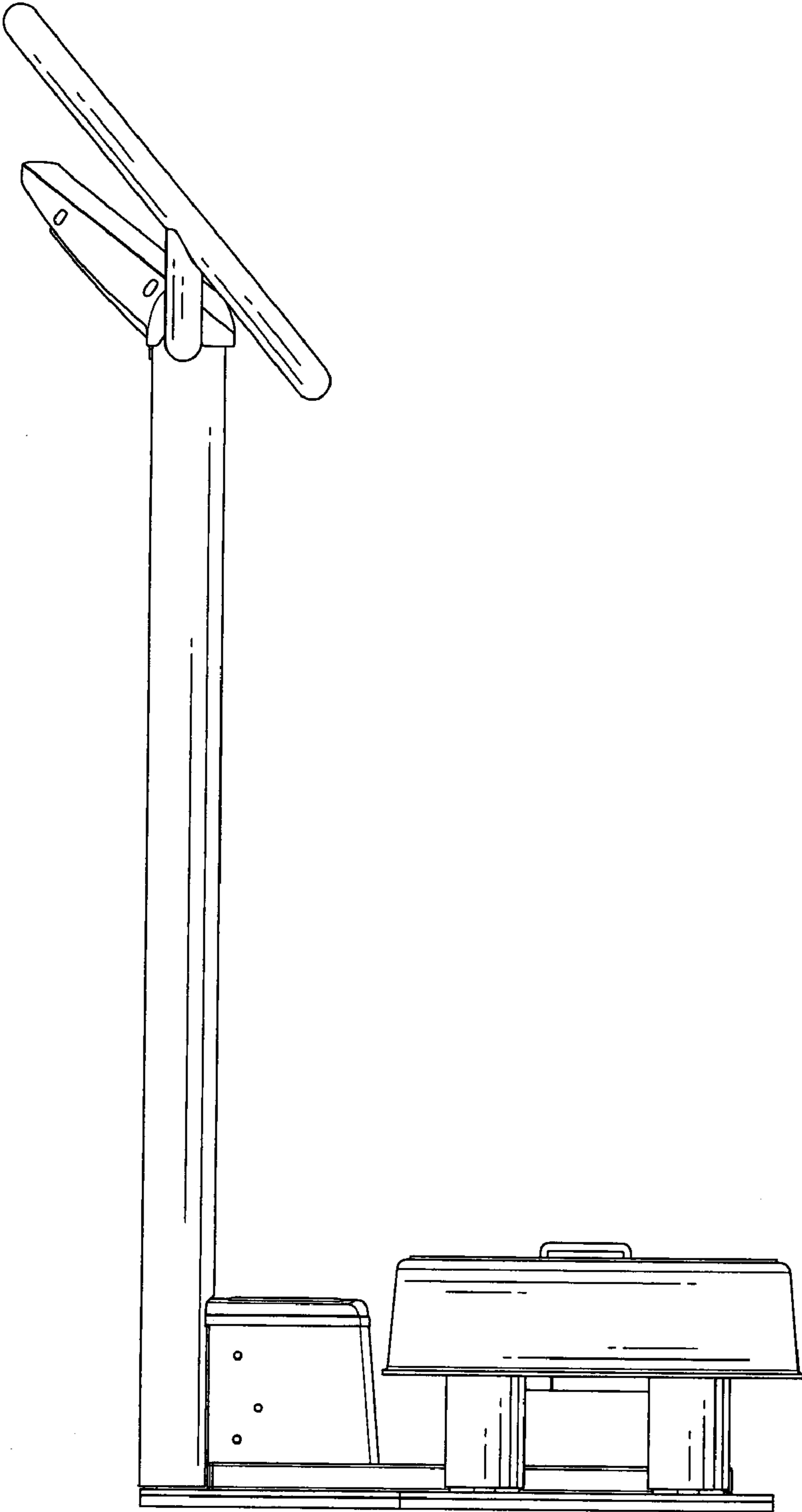


FIG.4

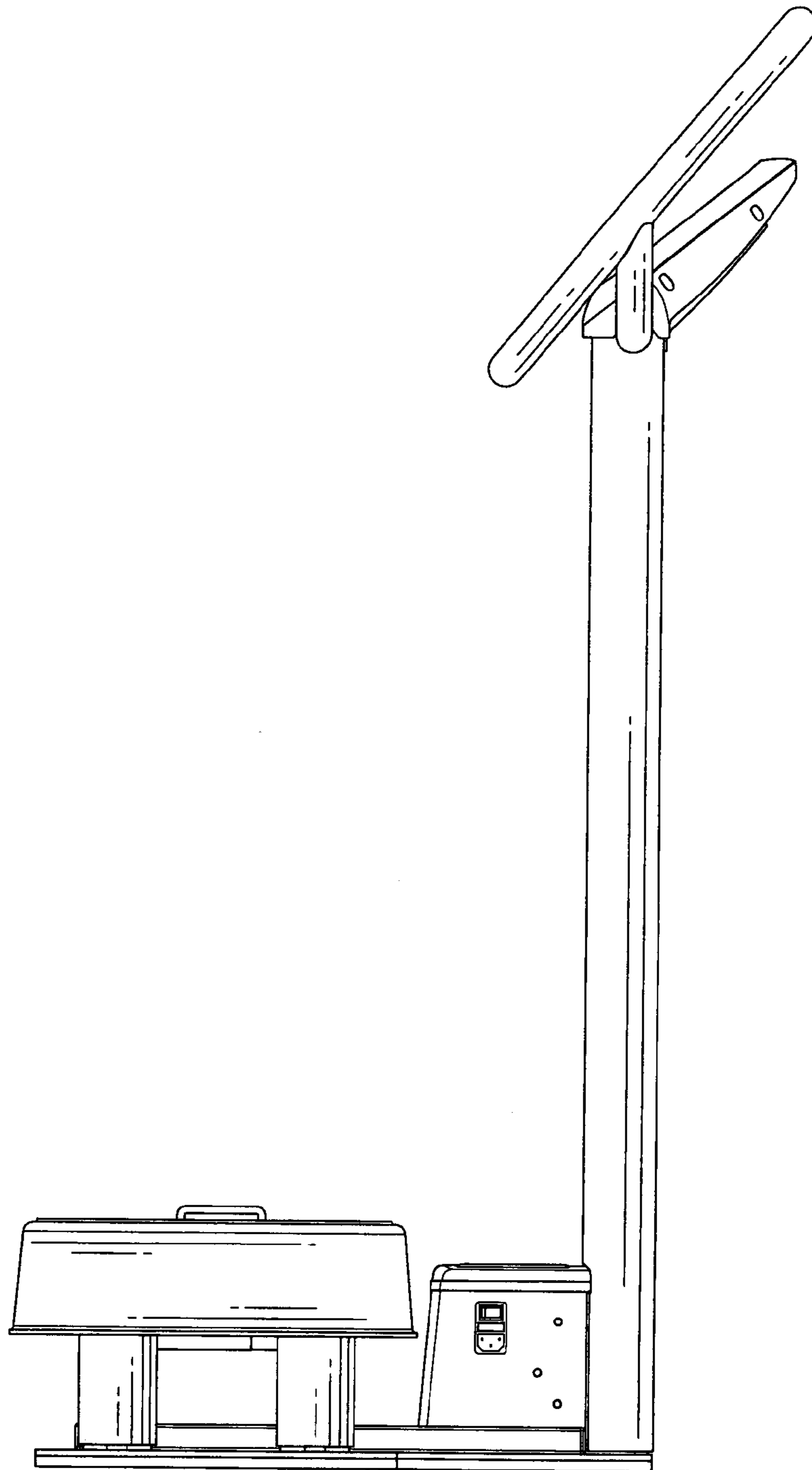


FIG.5

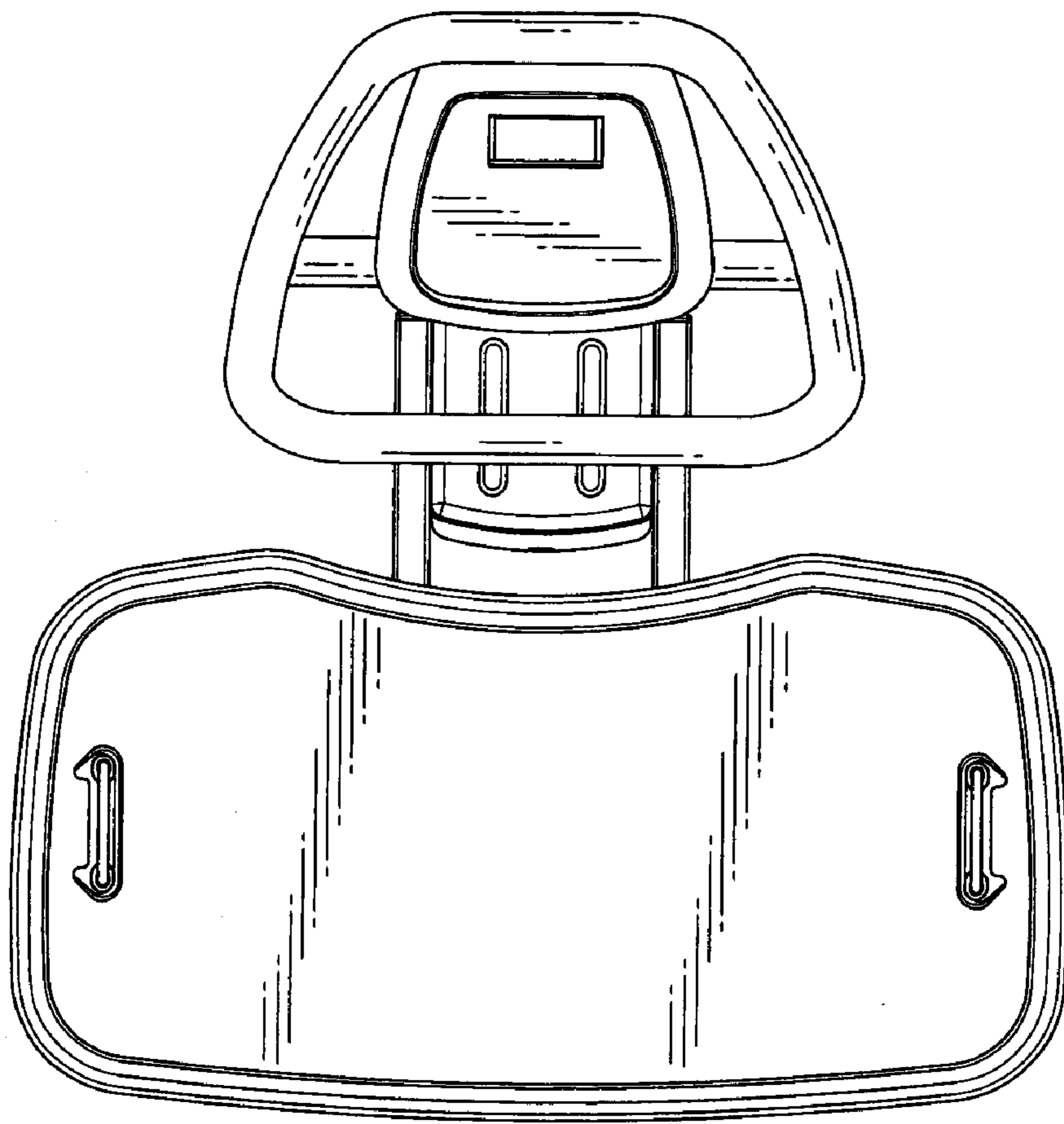


FIG.6

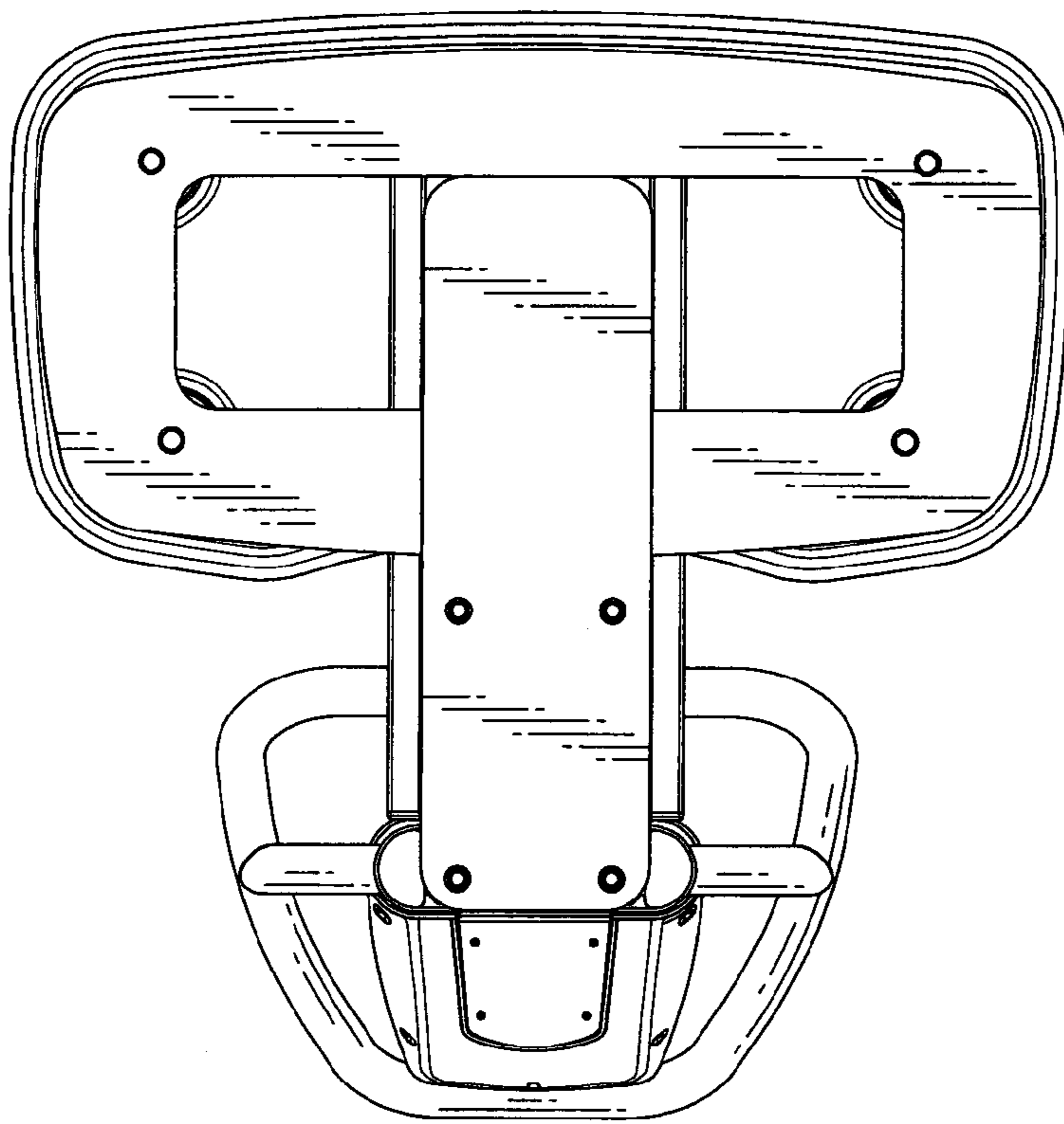


FIG.7

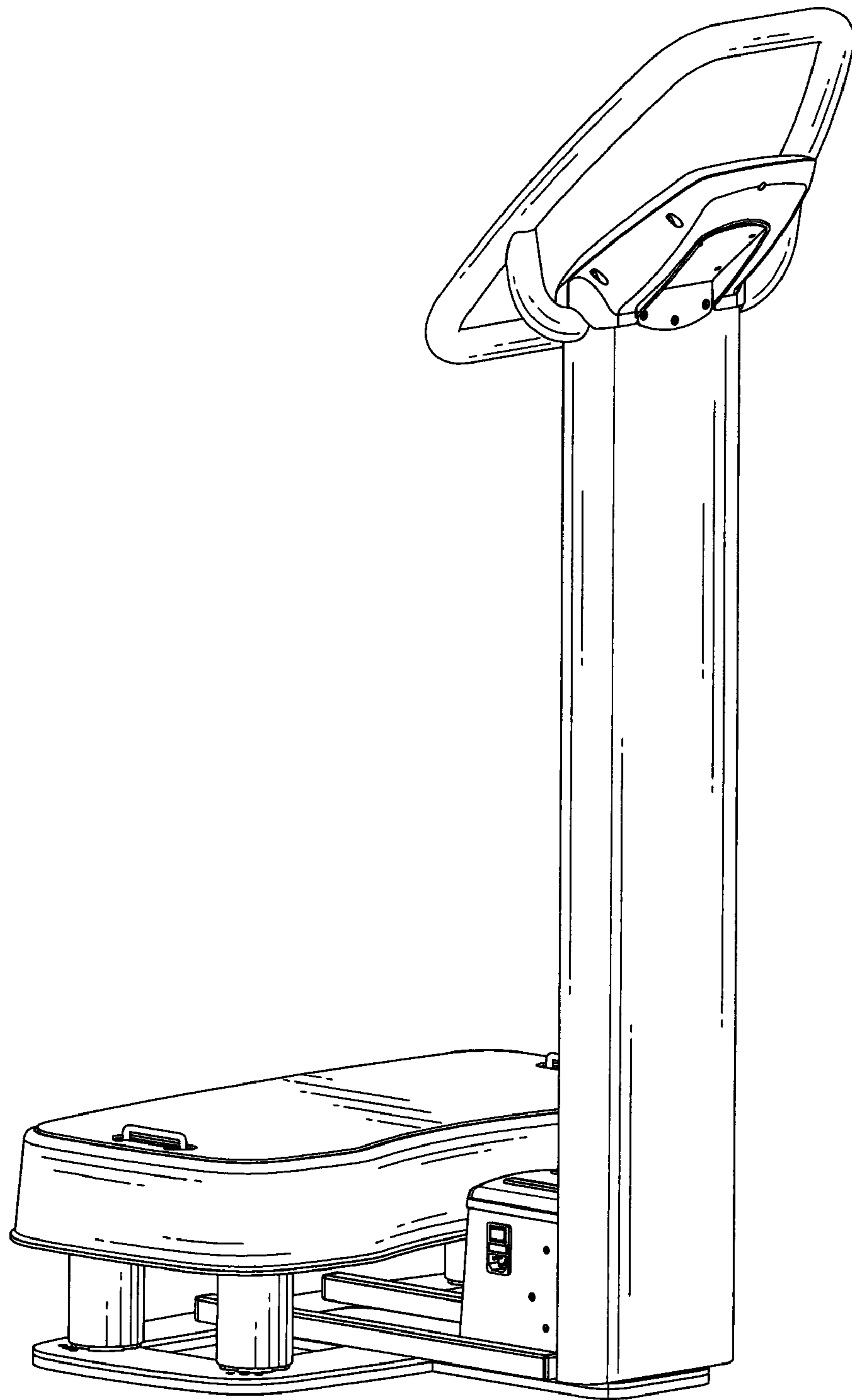


FIG.8