



US00D601207S

(12) **United States Design Patent**
Chung

(10) **Patent No.:** **US D601,207 S**

(45) **Date of Patent:** **** Sep. 29, 2009**

(54) **TOY TRUCK**

(76) **Inventor:** **Li-Ping Chung**, No. 33, Lane 458, She Chung St., Shihlin District, Taipei City 111 (TW)

(**) **Term:** **14 Years**

(21) **Appl. No.:** **29/330,502**

(22) **Filed:** **Jan. 8, 2009**

(51) **LOC (9) Cl.** **21-01**

(52) **U.S. Cl.** **D21/434**

(58) **Field of Classification Search** D21/419, D21/424, 431, 433, 434, 533, 548, 552-560; 280/1.023, 47.11, 87.01, 87.021, 263, 288.1, 280/828, 647; 446/268, 468, 471
See application file for complete search history.

(56) **References Cited**

U.S. PATENT DOCUMENTS

D211,807 S * 7/1968 Genin D21/552
D259,730 S * 6/1981 Arad et al. D21/434
D280,115 S * 8/1985 Takeuchi D21/558
D305,555 S * 1/1990 Spielberg D21/554

D352,075 S * 11/1994 Washington D21/434
D416,056 S * 11/1999 Wu D21/433
6,039,626 A * 3/2000 Gerold et al. 446/268
D567,885 S * 4/2008 Amadio et al. D21/559

* cited by examiner

Primary Examiner—Holly H Baynham

Assistant Examiner—Cynthia M Chin

(74) *Attorney, Agent, or Firm*—Ming Chow; Sinorica, LLC

(57) **CLAIM**

The ornamental design of a toy truck, as shown and described.

DESCRIPTION

FIG. 1 is a perspective view of a toy truck showing the new design;

FIG. 2 is a front view thereof;

FIG. 3 is a rear view thereof;

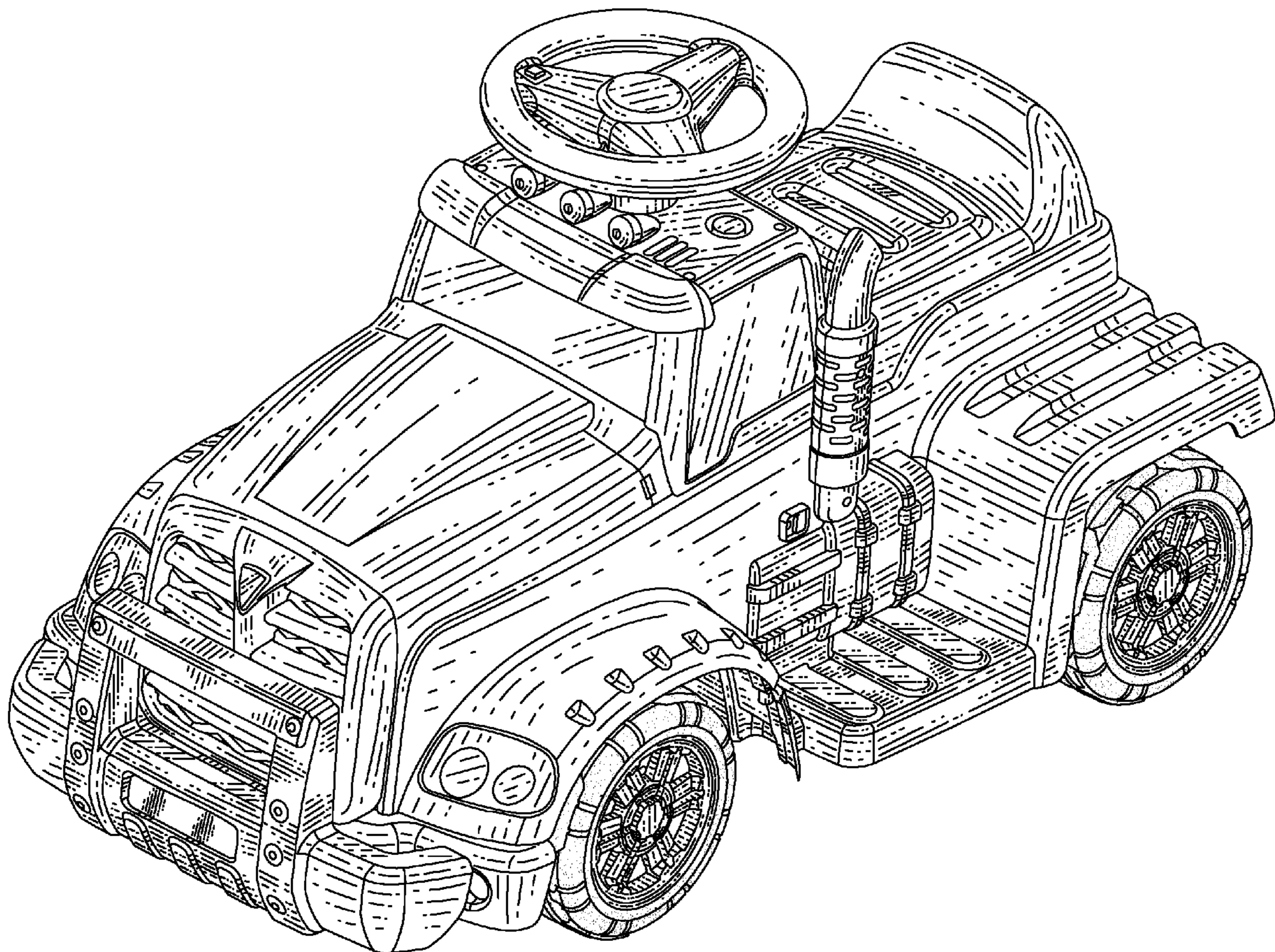
FIG. 4 is a left side view thereof;

FIG. 5 is a right side view thereof;

FIG. 6 is a top view thereof; and,

FIG. 7 is a bottom view thereof.

1 Claim, 7 Drawing Sheets



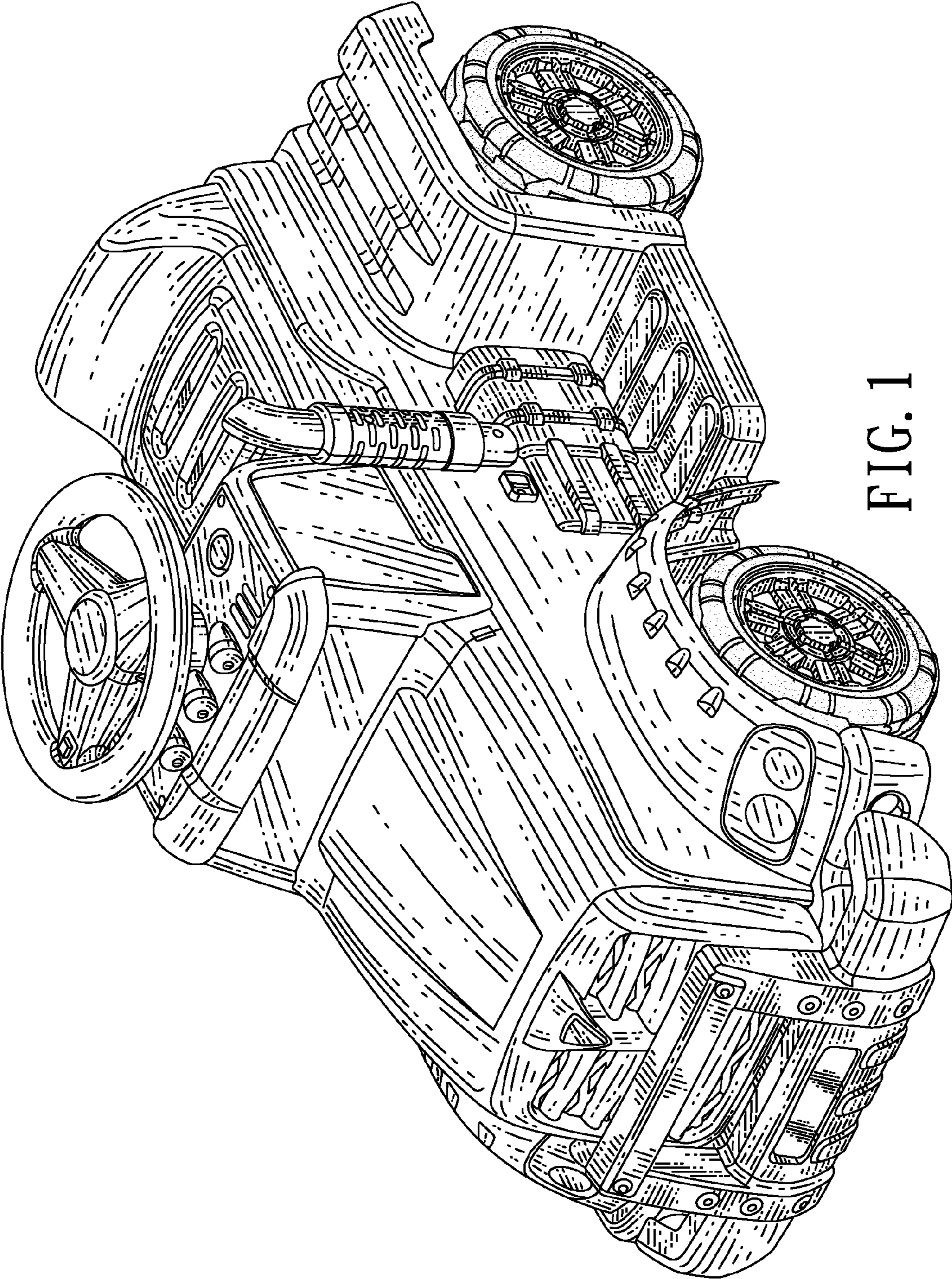


FIG. 1

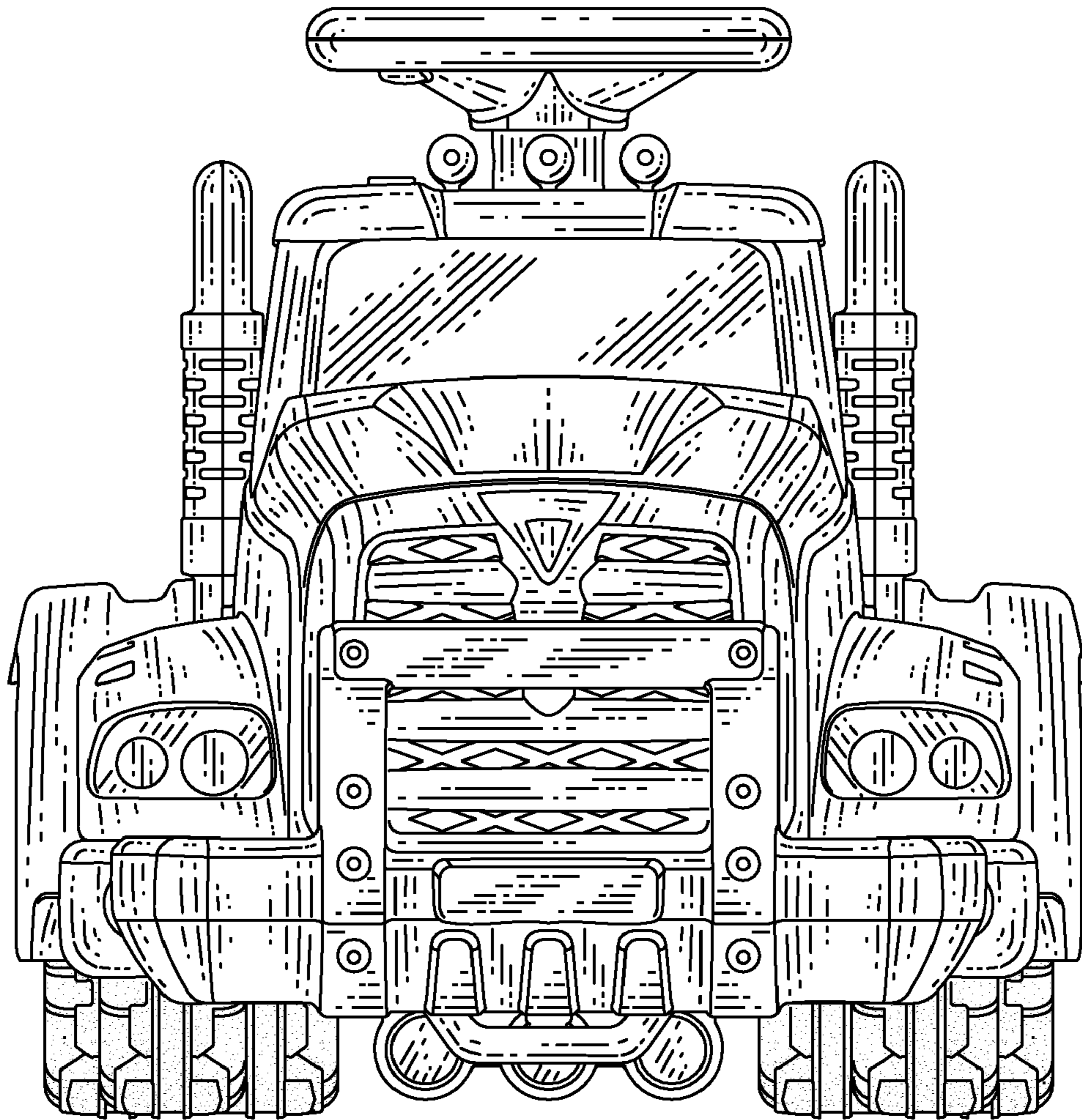


FIG. 2

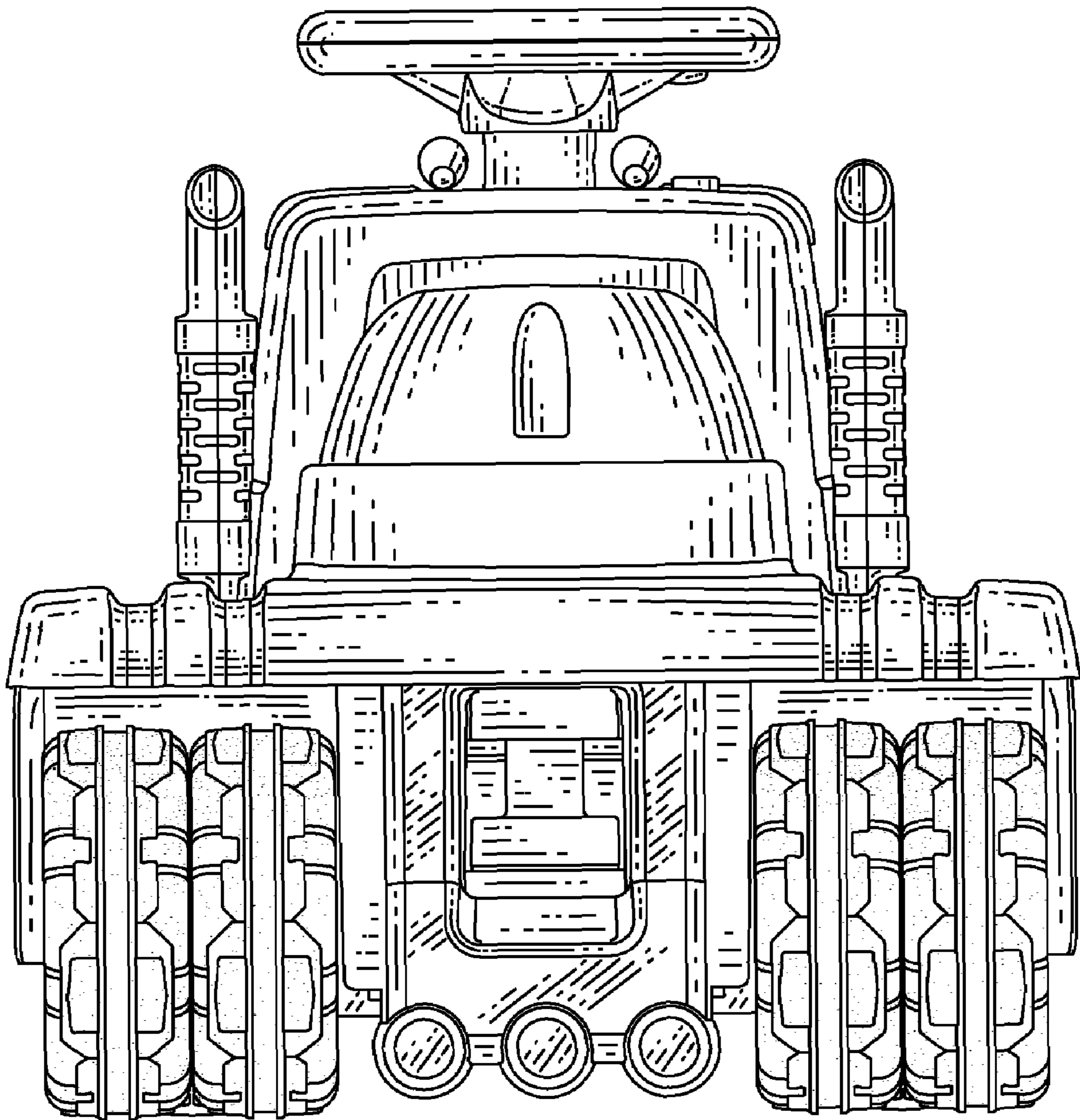


FIG. 3

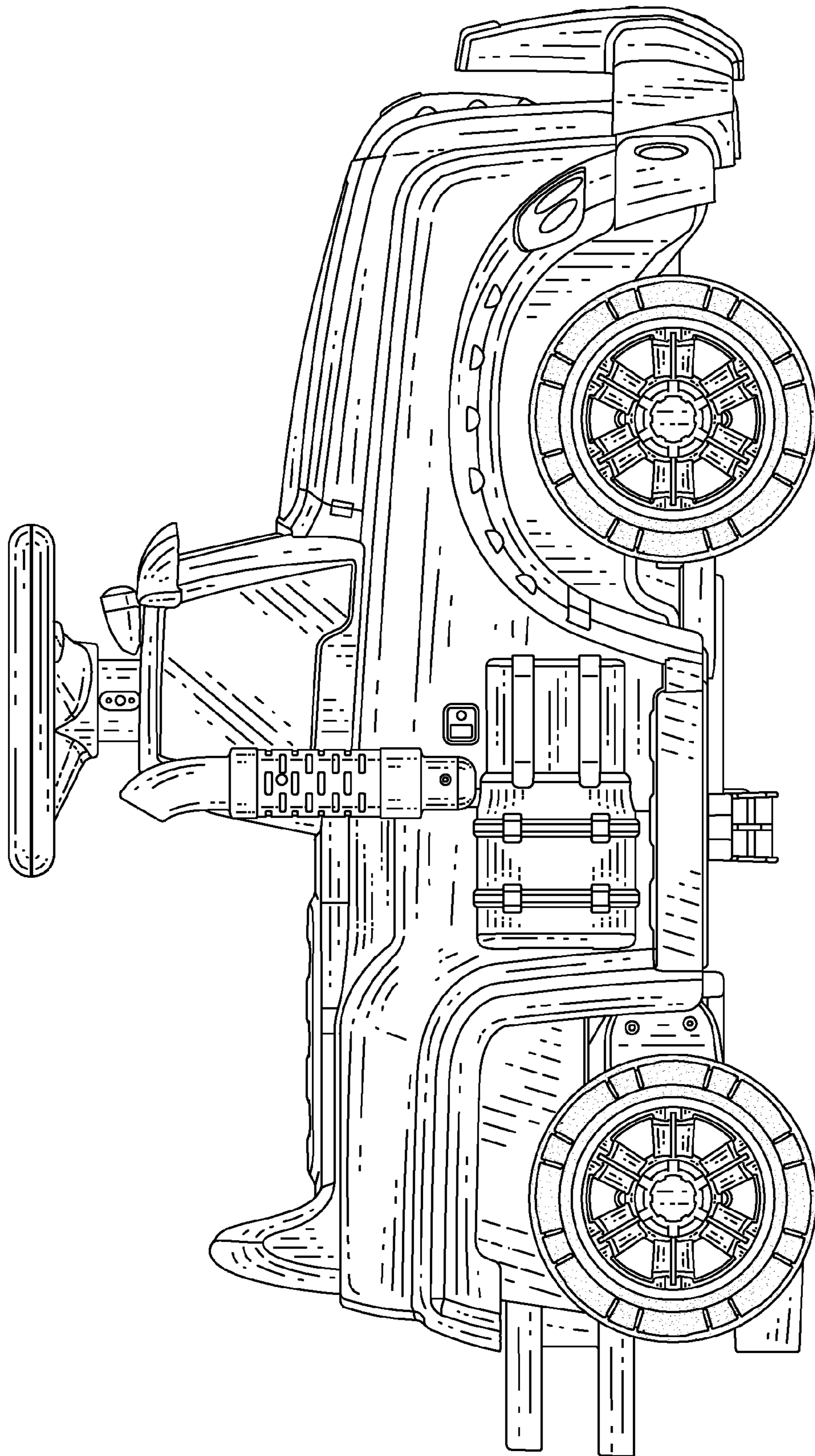


FIG. 4

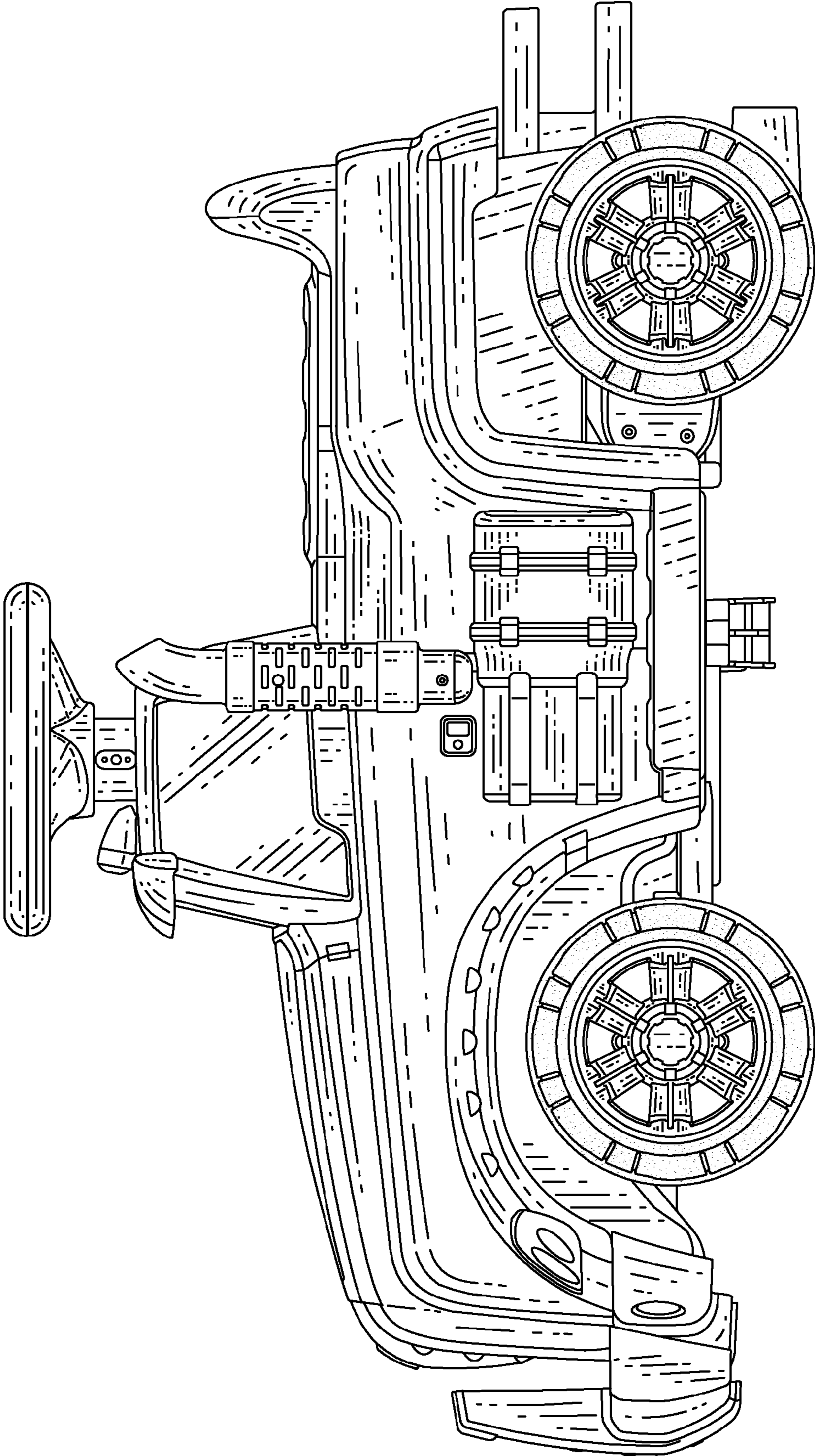


FIG. 5

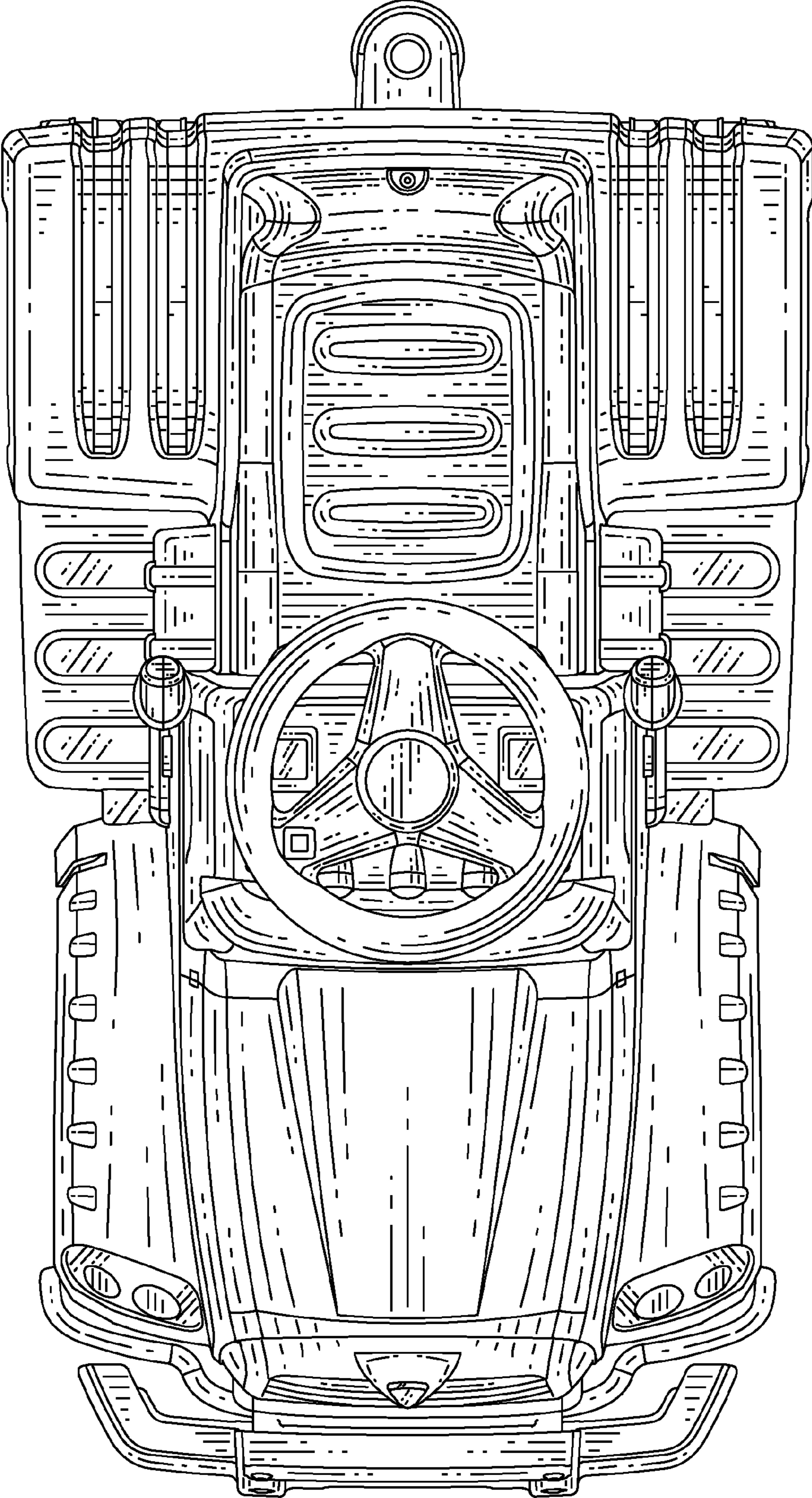


FIG. 6

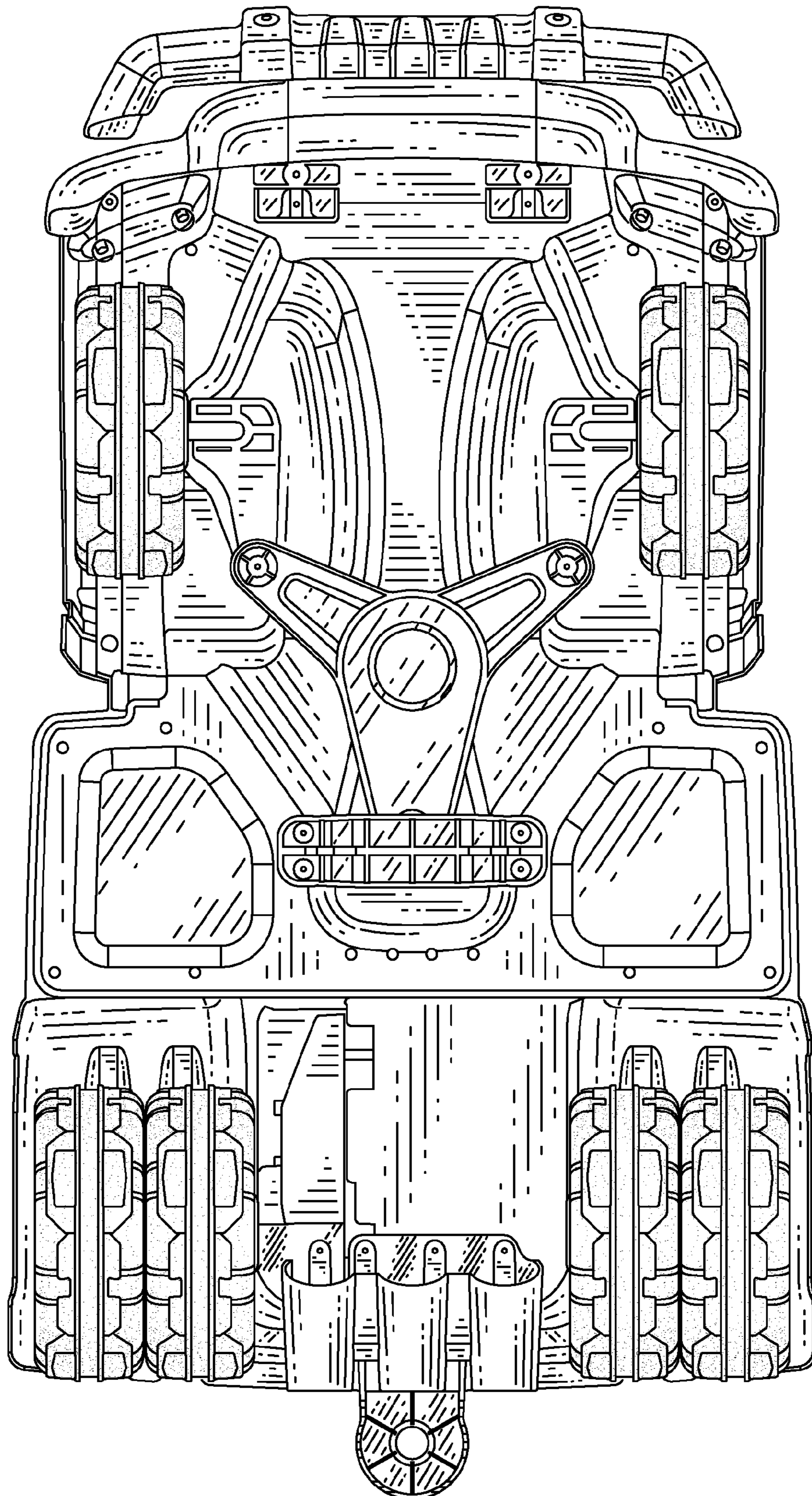


FIG. 7