



US00D601204S

(12) **United States Design Patent**  
**DeOreo et al.**

(10) **Patent No.:** **US D601,204 S**

(45) **Date of Patent:** **\*\* Sep. 29, 2009**

(54) **PORTABLE GAME ASSEMBLY**

D536,039 S 1/2007 Creech  
D546,398 S \* 7/2007 Foster ..... D21/330

(75) Inventors: **Daniel J. DeOreo**, Manchester, MA  
(US); **Richard T. Burnham**, Gloucester,  
MA (US)

\* cited by examiner

*Primary Examiner*—Sandra Morris

(74) *Attorney, Agent, or Firm*—Perry Hoffman

(73) Assignee: **Hasbro, Inc.**, Pawtucket, RI (US)

(\*\*) Term: **14 Years**

(57) **CLAIM**

(21) Appl. No.: **29/303,313**

The ornamental design for a portable game assembly, as shown and described.

(22) Filed: **Feb. 6, 2008**

**DESCRIPTION**

(51) **LOC (9) Cl.** ..... **21-01**

(52) **U.S. Cl.** ..... **D21/335; D21/337; D21/342**

(58) **Field of Classification Search** ..... D21/334–368;  
273/236–288

See application file for complete search history.

FIG. 1 is a perspective view of the portable game assembly of the instant invention in a closed position;

FIG. 2 is a perspective view thereof in an open position;

FIG. 3 is a top plan view thereof in the open position;

FIG. 4 is a bottom plan view thereof in the open position;

FIG. 5 is a front side elevational view thereof in the open position;

FIG. 6 is a rear side elevational view thereof in the open position;

FIG. 7 is a right elevational view thereof in the open position; and,

FIG. 8 is a left elevational view thereof in the open position.

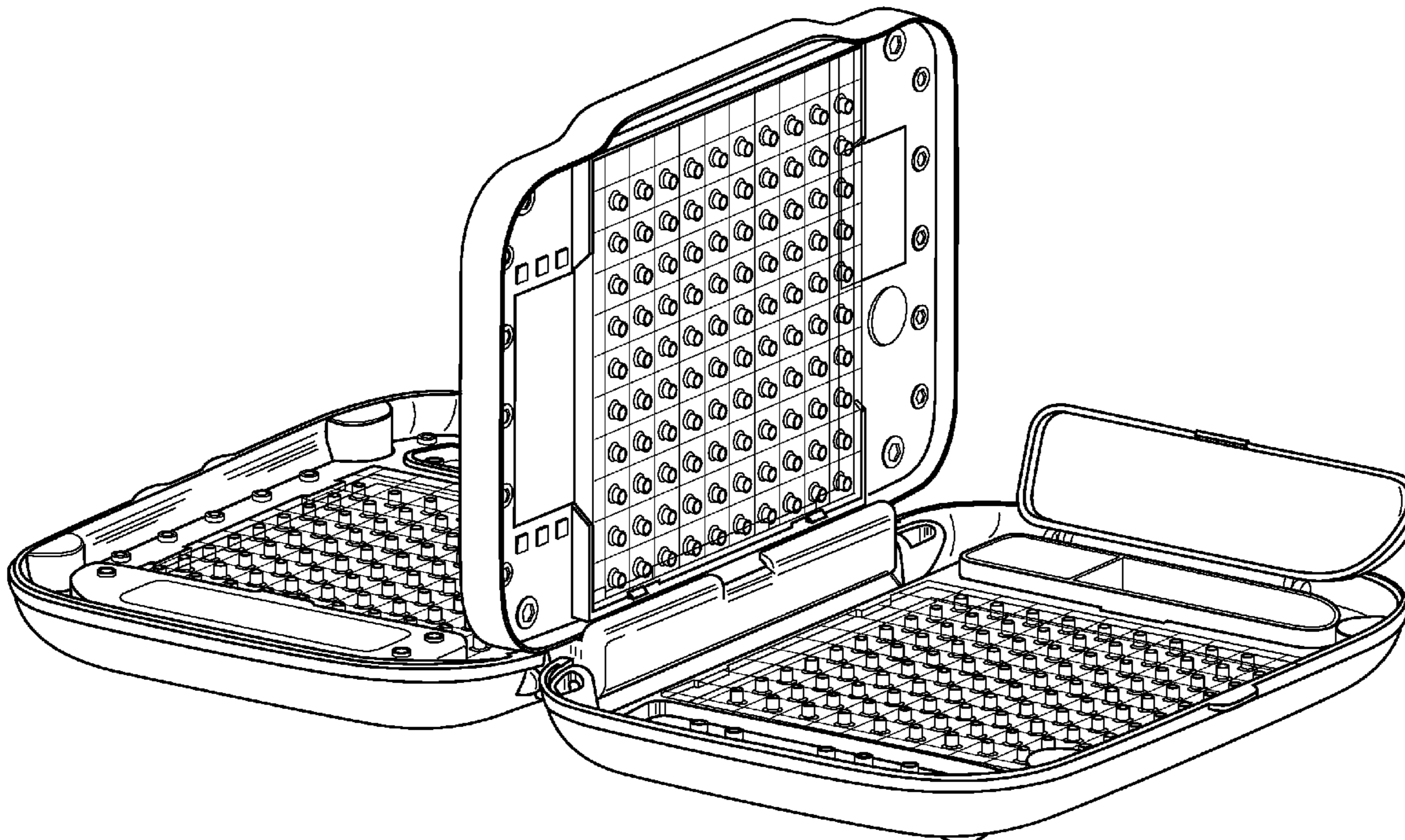
The broken lines and indicia shown in the drawings are for illustrative purposes only and form no part of the claimed design.

(56) **References Cited**

**U.S. PATENT DOCUMENTS**

2,053,598	A	5/1936	Blau	
4,032,152	A *	6/1977	Schifman	..... 273/258
4,136,871	A	1/1979	Meyers et al.	
4,194,742	A	3/1980	Adams	
4,280,704	A *	7/1981	Massimei et al.	..... 273/258
4,415,161	A	11/1983	Westell	
4,801,148	A	1/1989	Lamb	
5,154,428	A *	10/1992	Woolhouse	..... 273/265
D467,980	S	12/2002	Creech	
D499,772	S	12/2004	Creech	
D500,095	S	12/2004	Creech	
D535,703	S	1/2007	Creech	

**1 Claim, 7 Drawing Sheets**



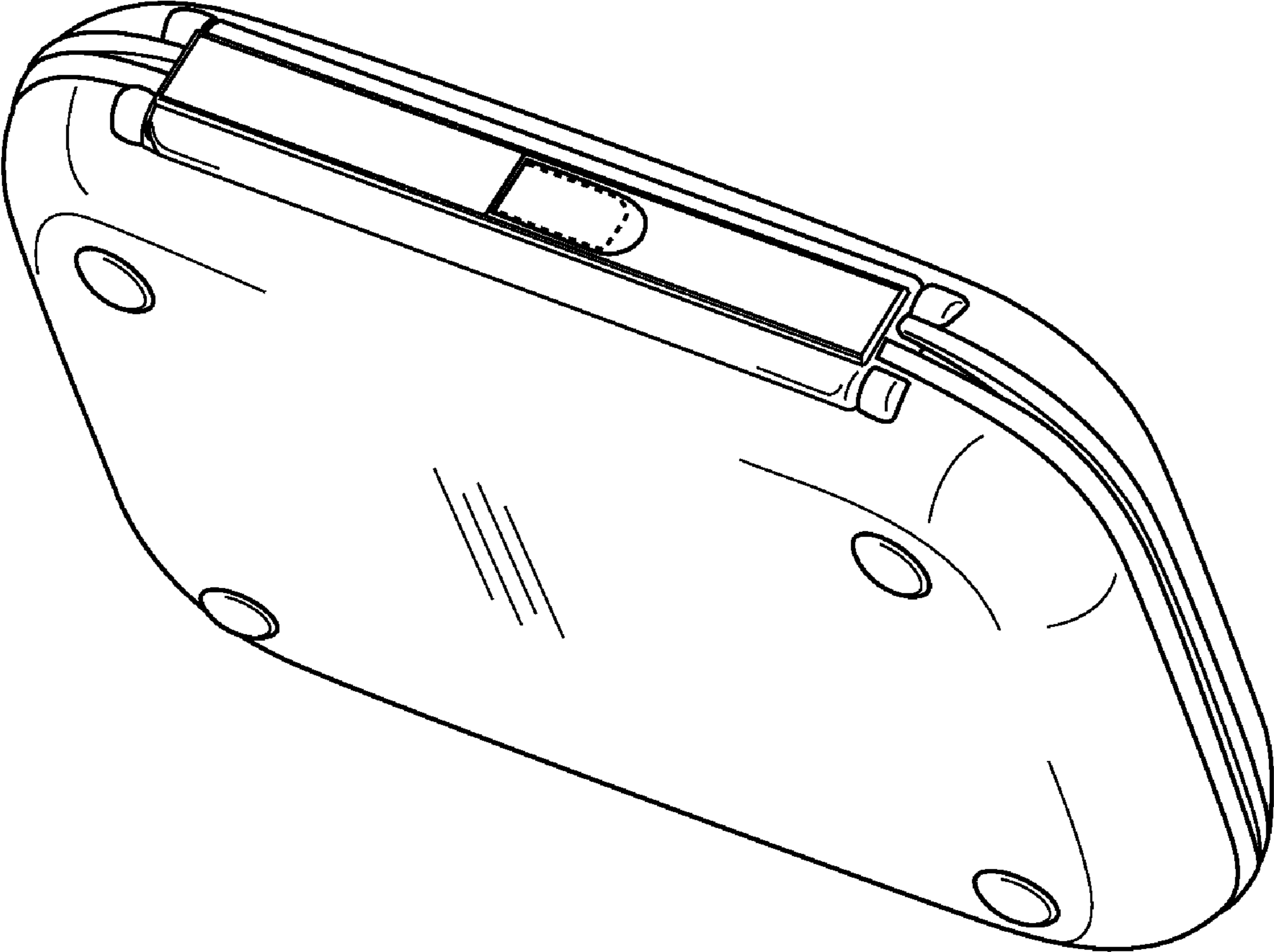


FIG. 1

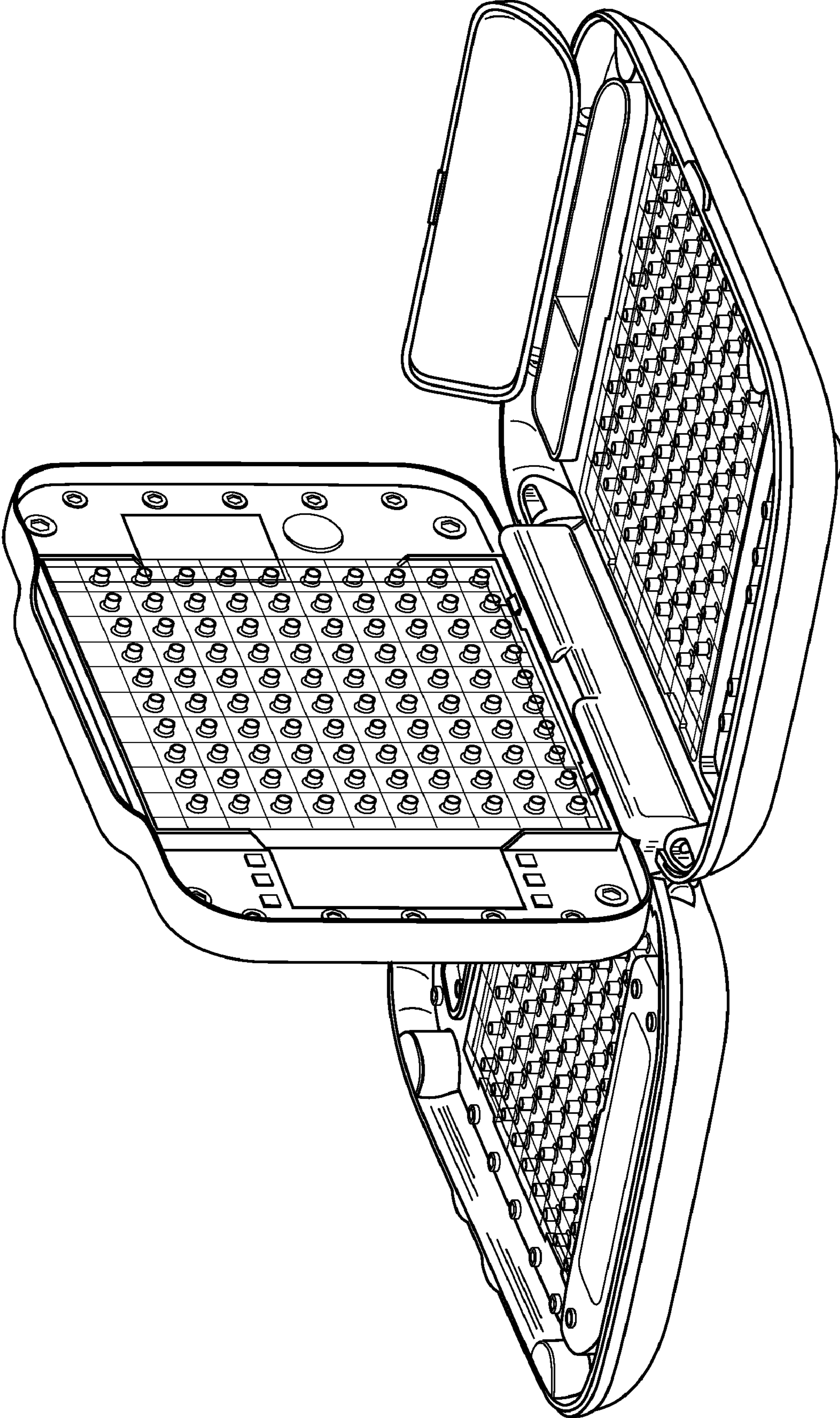


FIG. 2



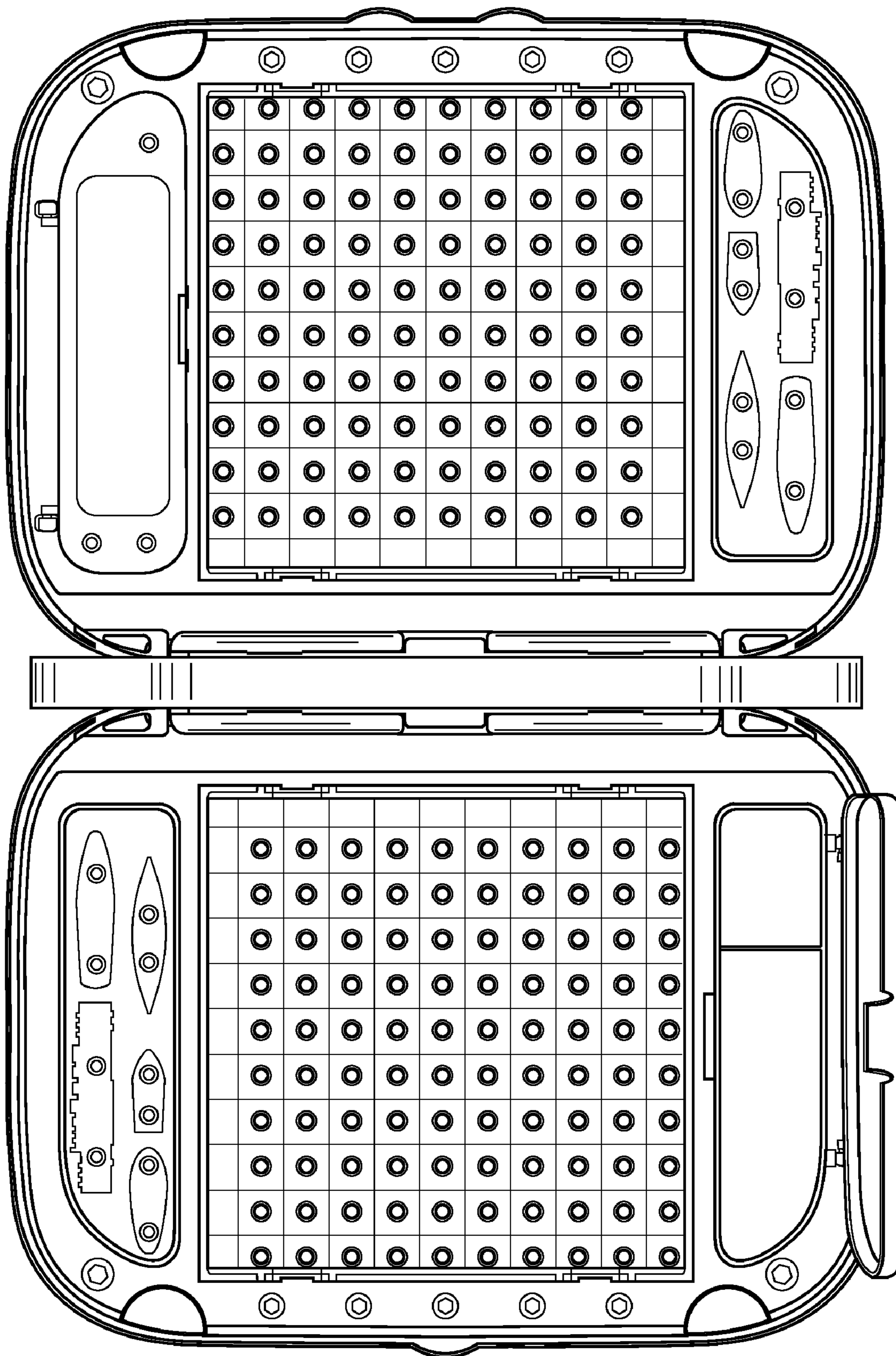


FIG. 3

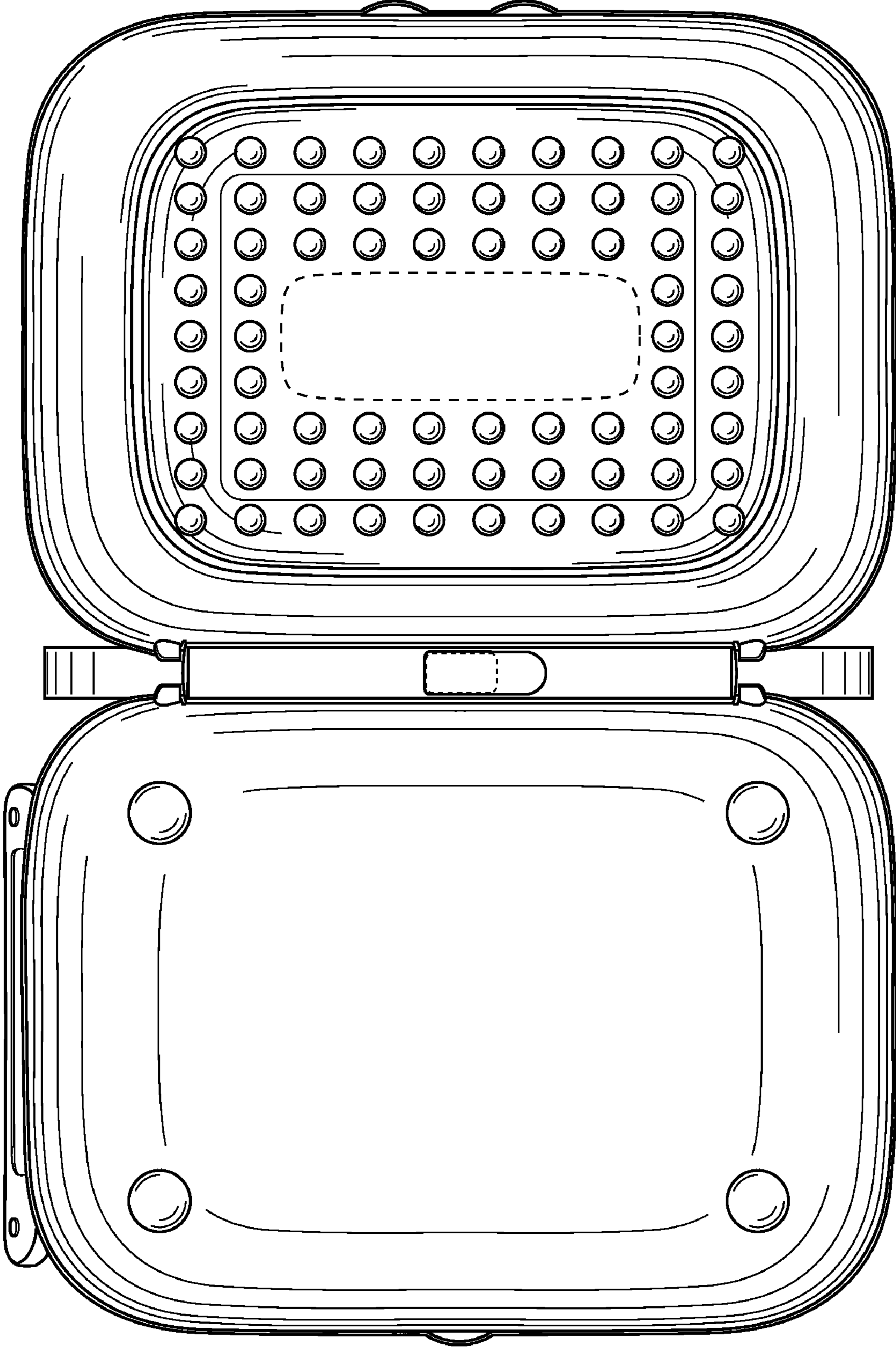


FIG. 4

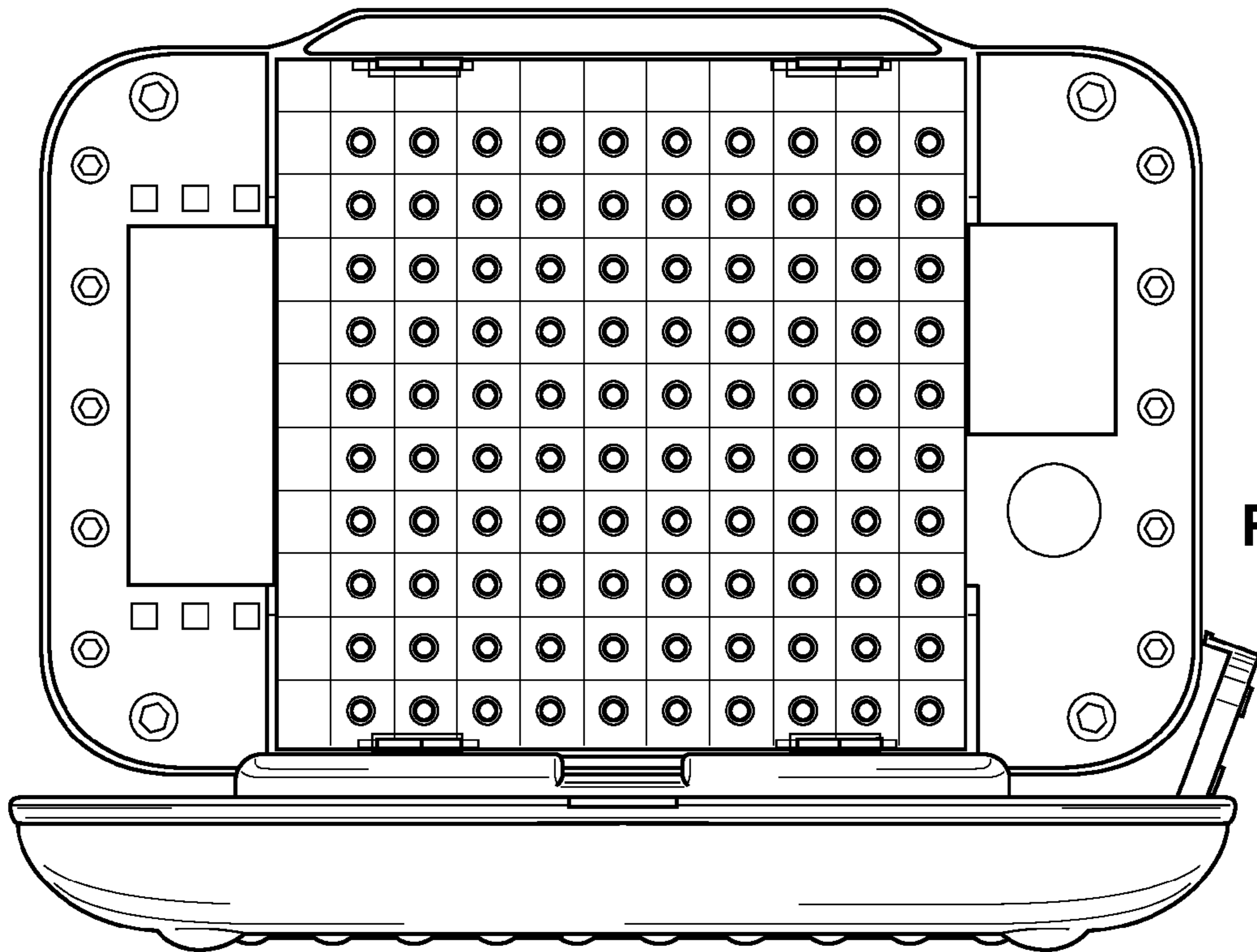


FIG. 5

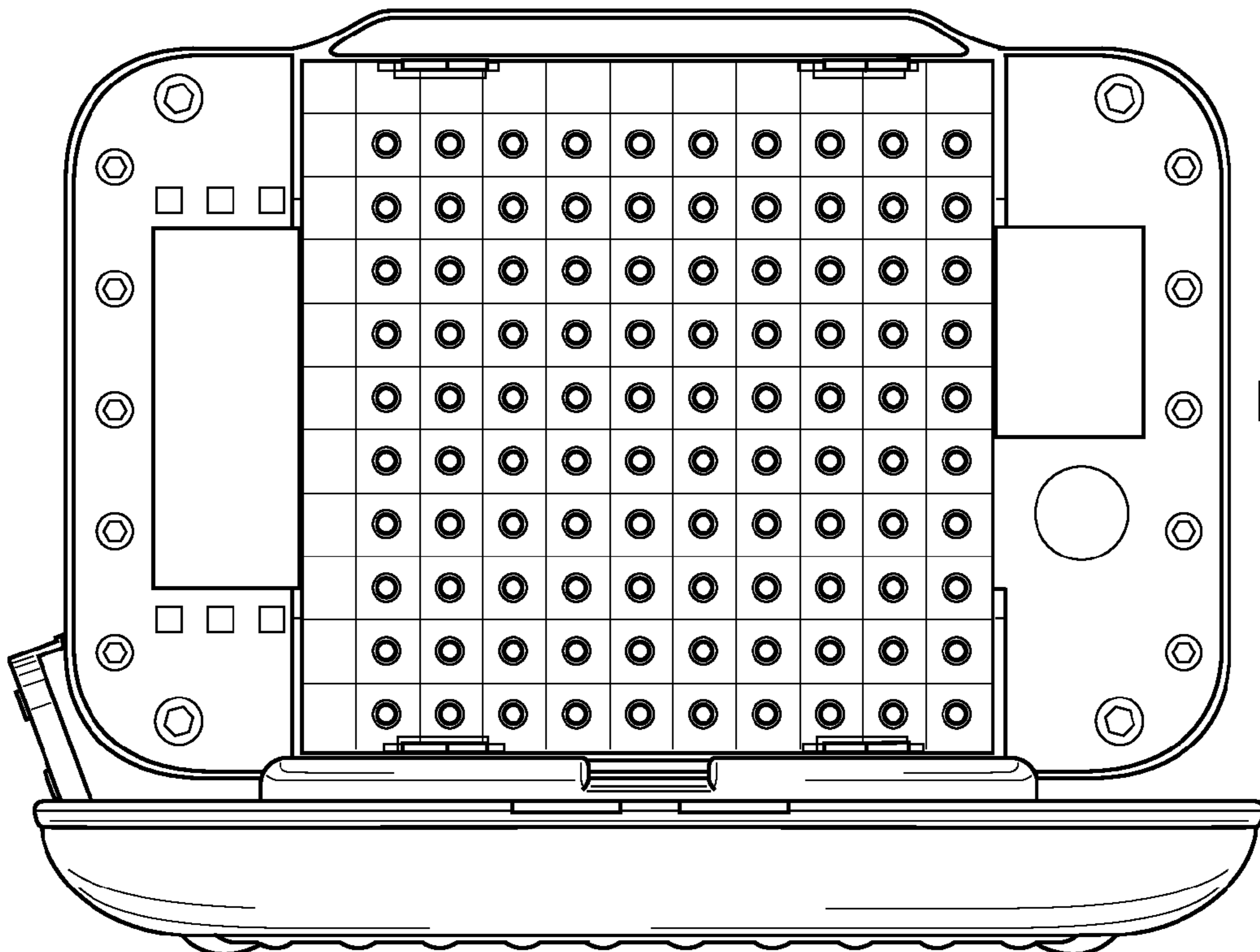


FIG. 6

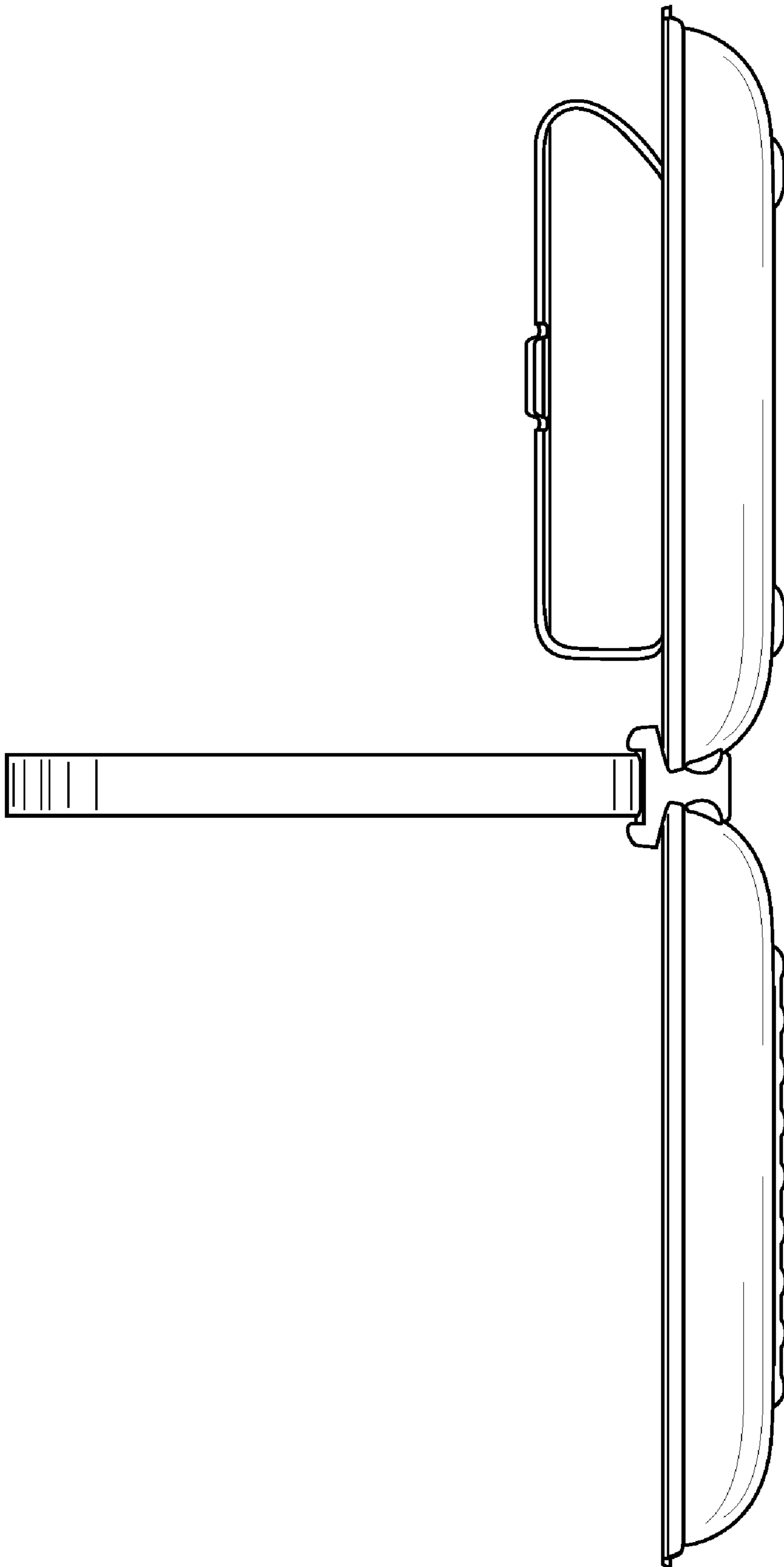


FIG. 7

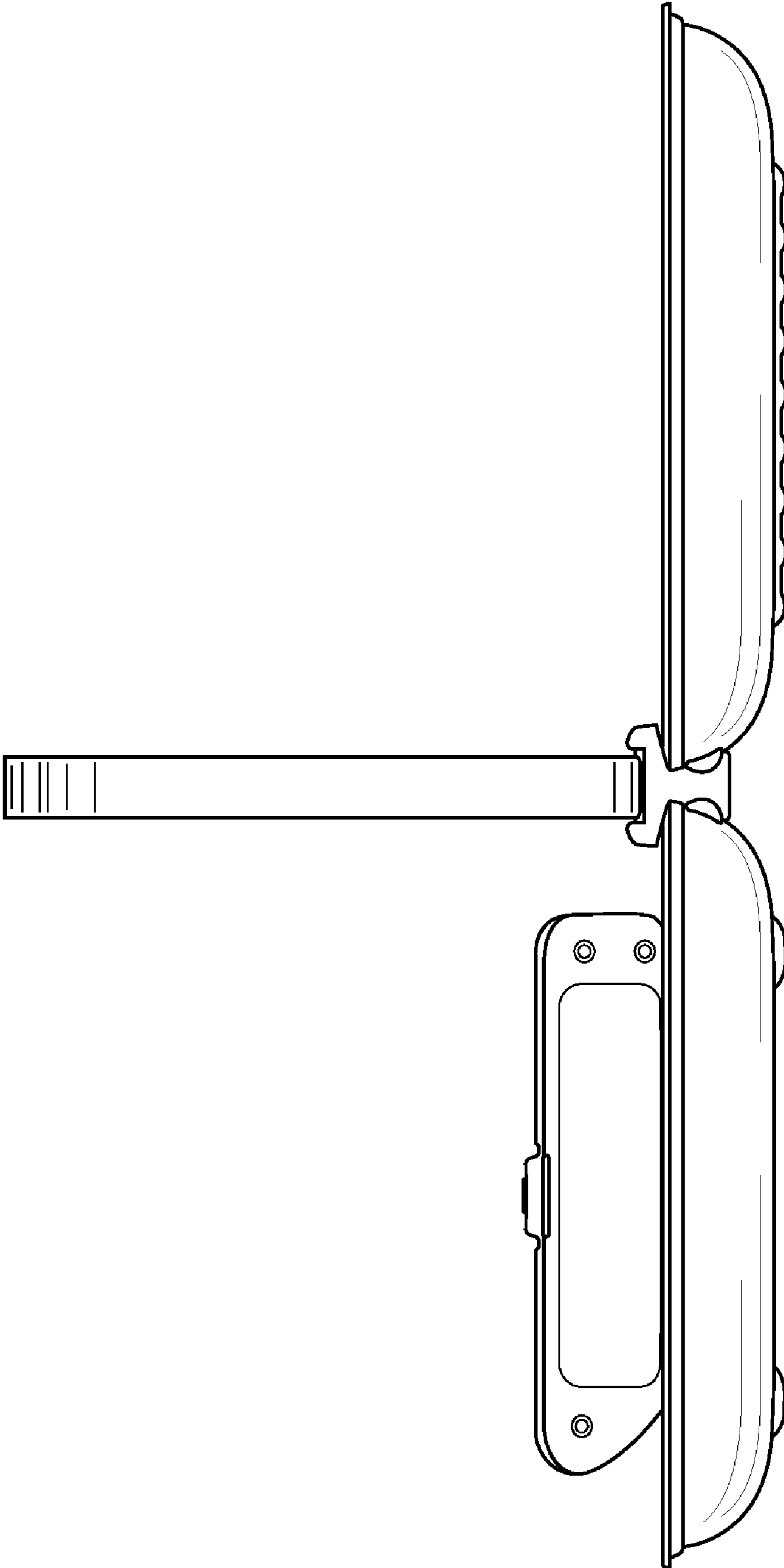


FIG. 8