



US00D601199S

(12) **United States Design Patent**
Maretzki-Parente

(10) **Patent No.:** **US D601,199 S**

(45) **Date of Patent:** **** Sep. 29, 2009**

(54) **WRITING INSTRUMENT**

(75) Inventor: **Orina Maretzki-Parente**, Tel Aviv (IL)

(73) Assignee: **Richemont Italia S.p.A.**, Milan (IT)

(**) Term: **14 Years**

(21) Appl. No.: **29/324,283**

(22) Filed: **Sep. 10, 2008**

(30) **Foreign Application Priority Data**

Mar. 10, 2008 (WO) DM/069 838

(51) **LOC (9) Cl.** **19-06**

(52) **U.S. Cl.** **D19/49**

(58) **Field of Classification Search** D19/35,
D19/36, 41, 42, 43, 44, 45, 46, 47, 48, 49,
D19/50, 51, 54, 55, 56, 57; 24/11 F, 11 P,
24/11 R; 401/6, 52, 99, 100, 104, 105, 106,
401/107, 108, 109, 192, 195, 243, 244, 245,
401/246, 247; 362/118

See application file for complete search history.

(56) **References Cited**

U.S. PATENT DOCUMENTS

D65,683 S * 9/1924 Benjamin D19/49
1,685,413 A * 9/1928 Ashley 401/177
D81,742 S * 8/1930 Back D19/49
D84,394 S * 6/1931 Bienenstein D19/49
D86,297 S * 2/1932 Bienenstein D19/49

D86,826 S * 4/1932 Carman D19/49
D87,611 S * 8/1932 Whitehouse D19/50
D117,839 S * 11/1939 Zoll D19/49
D252,028 S * 6/1979 Carre D19/49
D282,754 S * 2/1986 LeBlanc et al. D19/49
D303,990 S * 10/1989 Petterson D19/48
D463,492 S * 9/2002 Kramer et al. D19/51
D482,396 S * 11/2003 De Bon D19/43
D587,751 S * 3/2009 Cetera D19/48
D593,154 S * 5/2009 Bruzzi D19/46

* cited by examiner

Primary Examiner—Elizabeth A Albert

Assistant Examiner—Karen E Eldridge Powers

(74) *Attorney, Agent, or Firm*—Young & Thompson

(57) **CLAIM**

I claim the ornamental design for a writing instrument, as shown and described.

DESCRIPTION

FIG. 1 is a side view from the top of FIG. 5.

FIG. 2 is a side view from the bottom of FIG. 5.

FIG. 3 is a side view from the left of FIG. 5.

FIG. 4 is a side view from the right of FIG. 5.

FIG. 5 is a top view of the writing instrument.

FIG. 6 is a bottom view of the writing instrument; and,

FIG. 7 is a perspective view of the writing instrument.

1 Claim, 1 Drawing Sheet

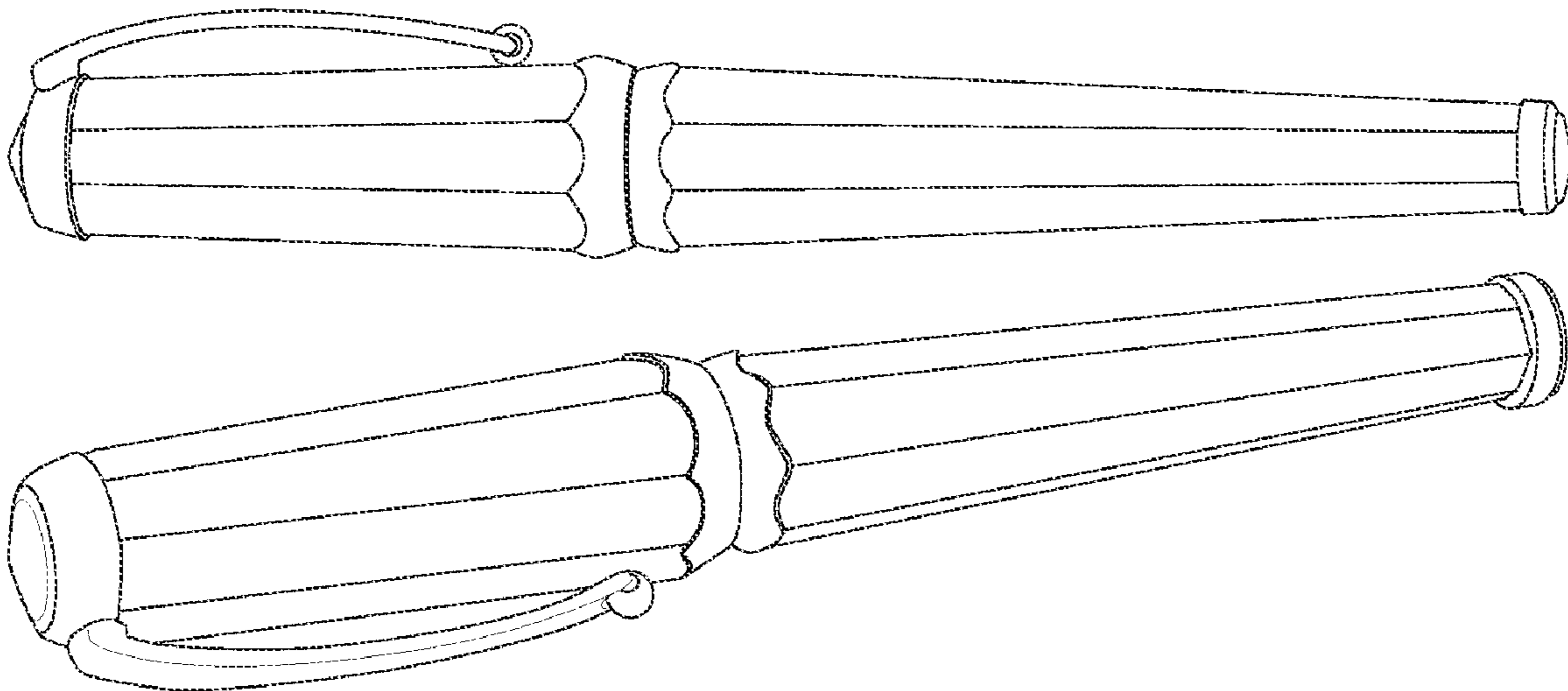


Fig.1

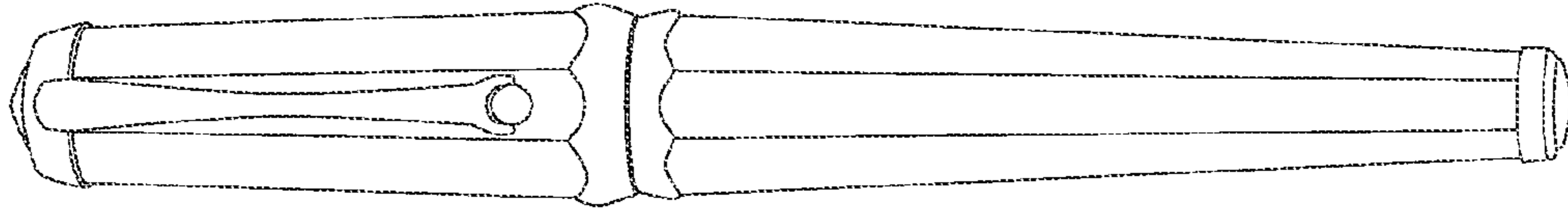


Fig.2

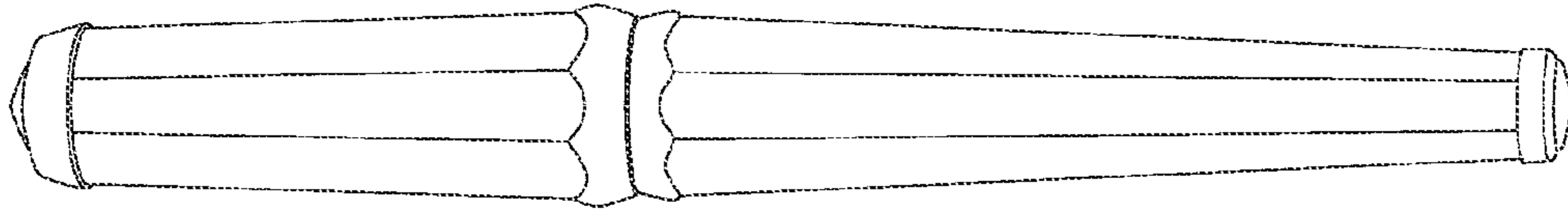


Fig.3

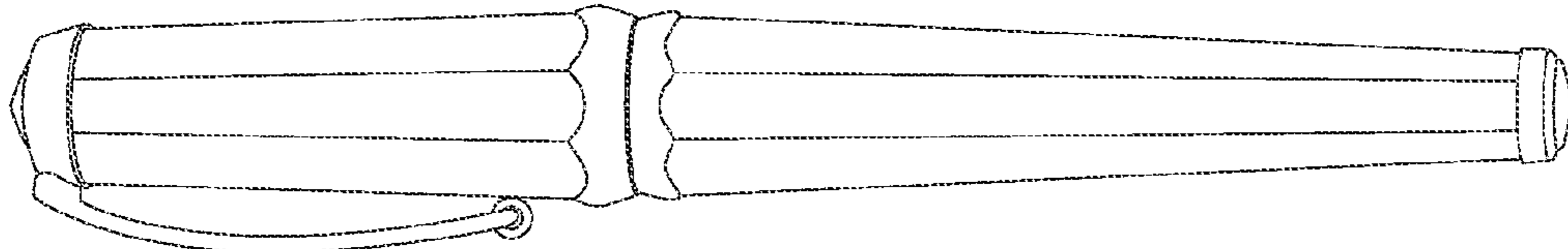


Fig.4

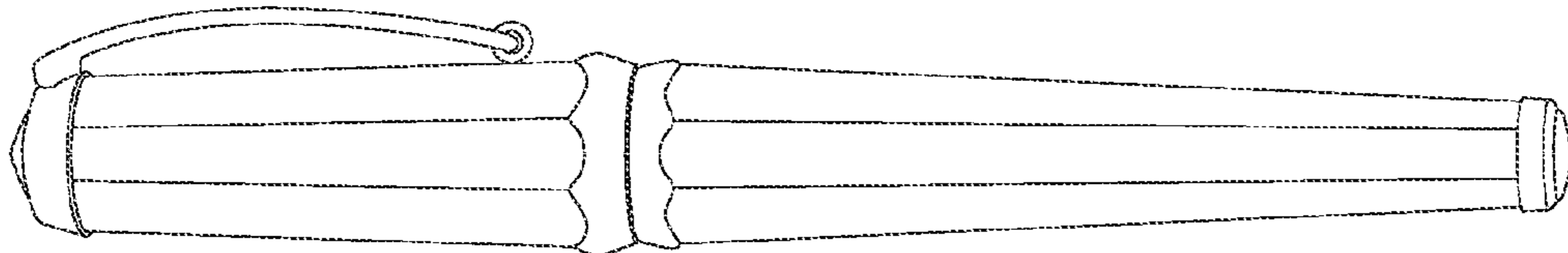


Fig.5

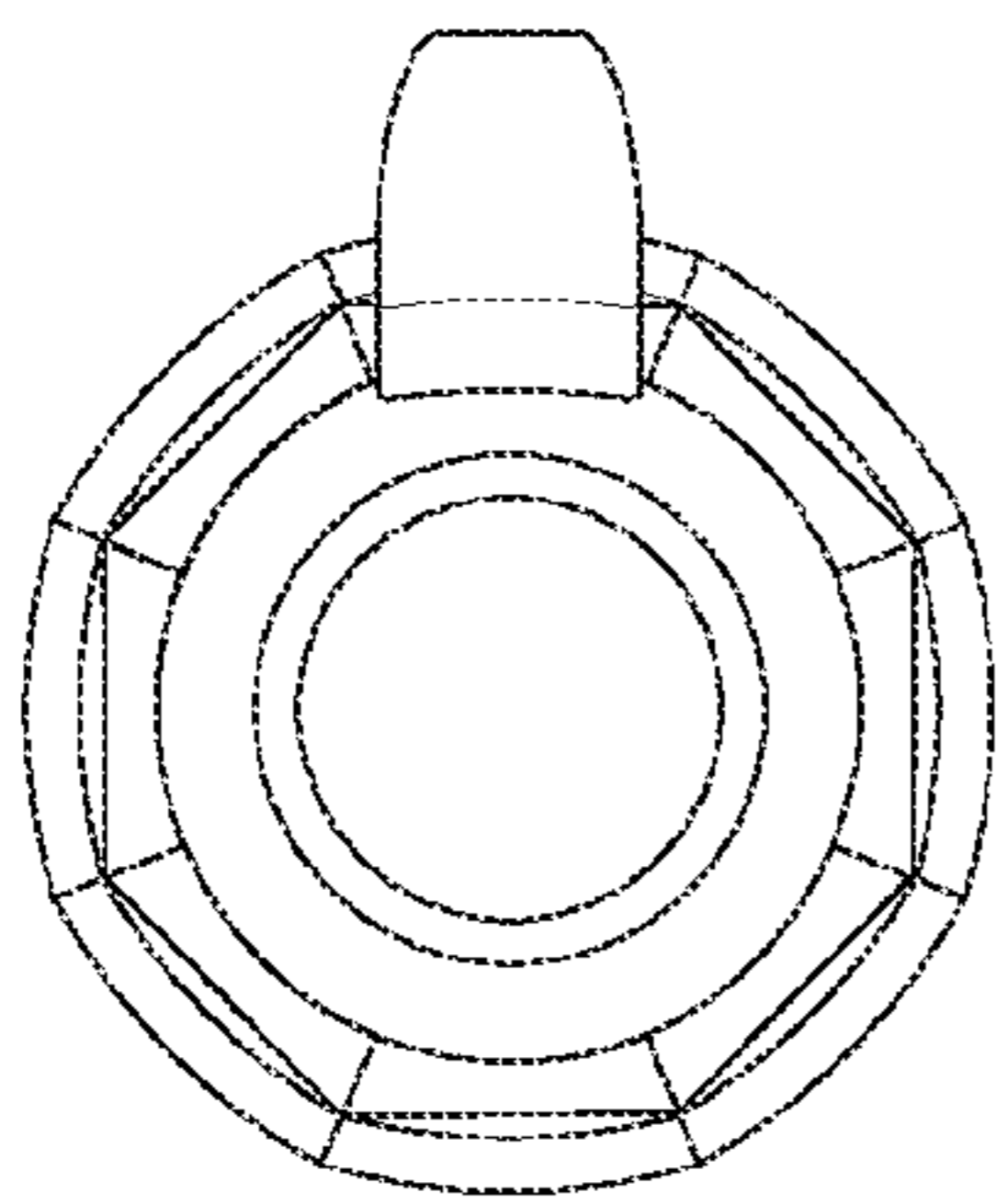


Fig.6

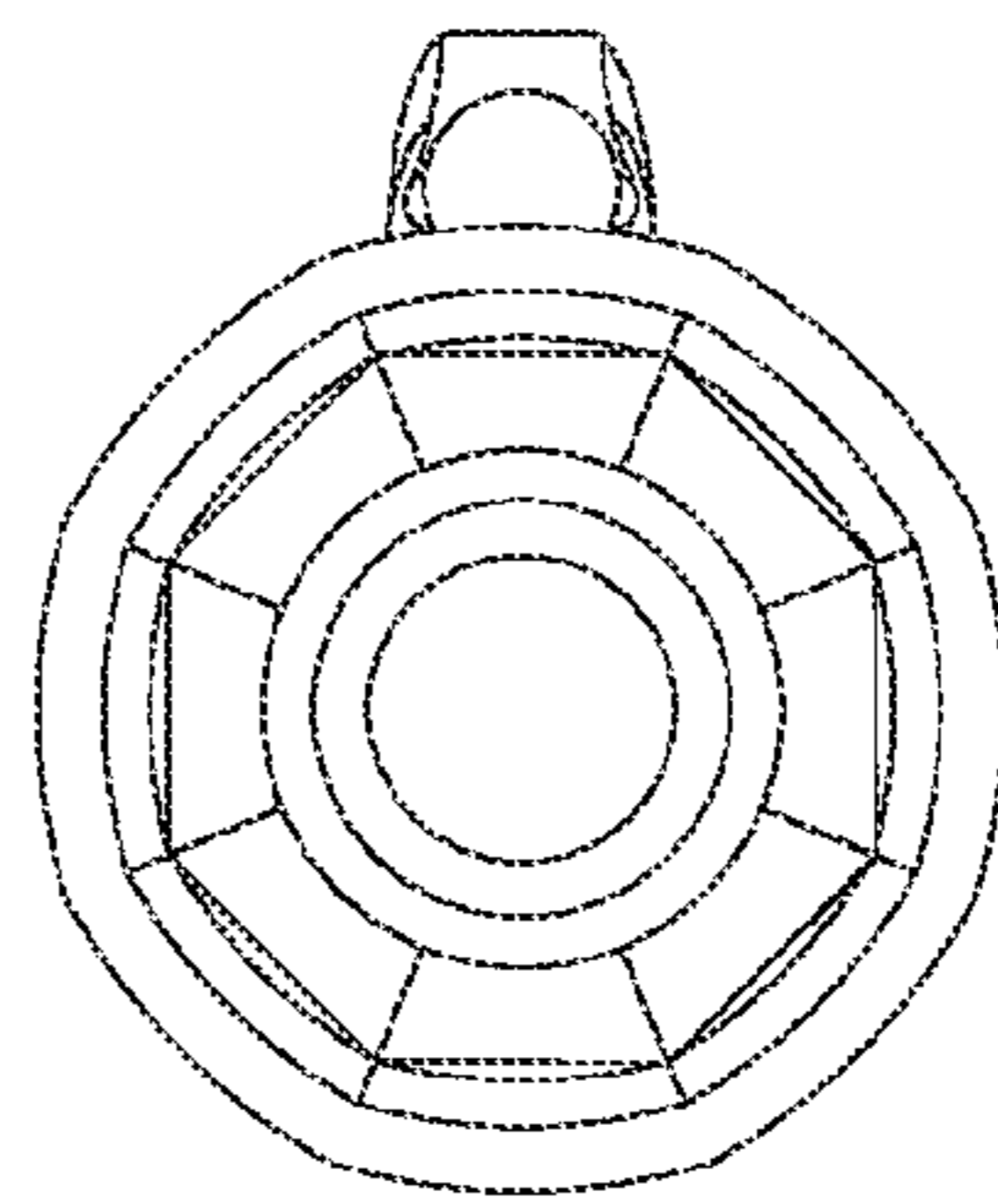


Fig.7

