



US00D601196S

(12) **United States Design Patent**
Zhang

(10) **Patent No.:** **US D601,196 S**

(45) **Date of Patent:** **** Sep. 29, 2009**

(54) **PEN**

(75) Inventor: **Binhui Zhang**, Ningbo (CN)

(73) Assignee: **Beifa Group Co., Ltd.**, Ningbo (CN)

(**) Term: **14 Years**

(21) Appl. No.: **29/329,946**

(22) Filed: **Dec. 23, 2008**

(30) **Foreign Application Priority Data**

Jun. 23, 2008 (CN) 2008 3 0139608

(51) **LOC (9) Cl.** **19-06**

(52) **U.S. Cl.** **D19/48**

(58) **Field of Classification Search** D19/35,
D19/36, 41-51, 53-57; 24/11 F, 11 P, 11 R;
401/52, 99, 100, 104-109, 192, 195, 196
See application file for complete search history.

(56) **References Cited**

U.S. PATENT DOCUMENTS

D339,607 S *	9/1993	White et al.	D19/48
D404,426 S	1/1999	Takanashi		
D452,526 S	12/2001	Nishida		
D456,040 S *	4/2002	Moon	D19/43
D458,966 S *	6/2002	Oka	D19/57
D461,501 S	8/2002	Nishida		
D487,776 S *	3/2004	Keda	D19/57
D489,088 S *	4/2004	Arita et al.	D19/57

D497,950 S *	11/2004	Takanashi	D19/43
D500,519 S *	1/2005	Keda	D19/50
D510,599 S *	10/2005	Shibata	D19/57
D510,950 S *	10/2005	Eddington et al.	D19/57
D553,191 S *	10/2007	Qiu	D19/50
D569,436 S *	5/2008	Shibata	D19/57
D591,351 S *	4/2009	Shi	D19/50
2009/0129065 A1 *	5/2009	Tamir et al.	362/118

OTHER PUBLICATIONS

Zhang, B., "Pen," U.S. Appl. No. 29/330,725, filed Jan. 13, 2009.

* cited by examiner

Primary Examiner—Elizabeth A Albert

(74) *Attorney, Agent, or Firm*—Christensen O'Connor Johnson Kindness PLLC

(57) **CLAIM**

The ornamental design for a pen, as shown and described.

DESCRIPTION

FIG. 1 is a front elevation view of a pen showing my new design;

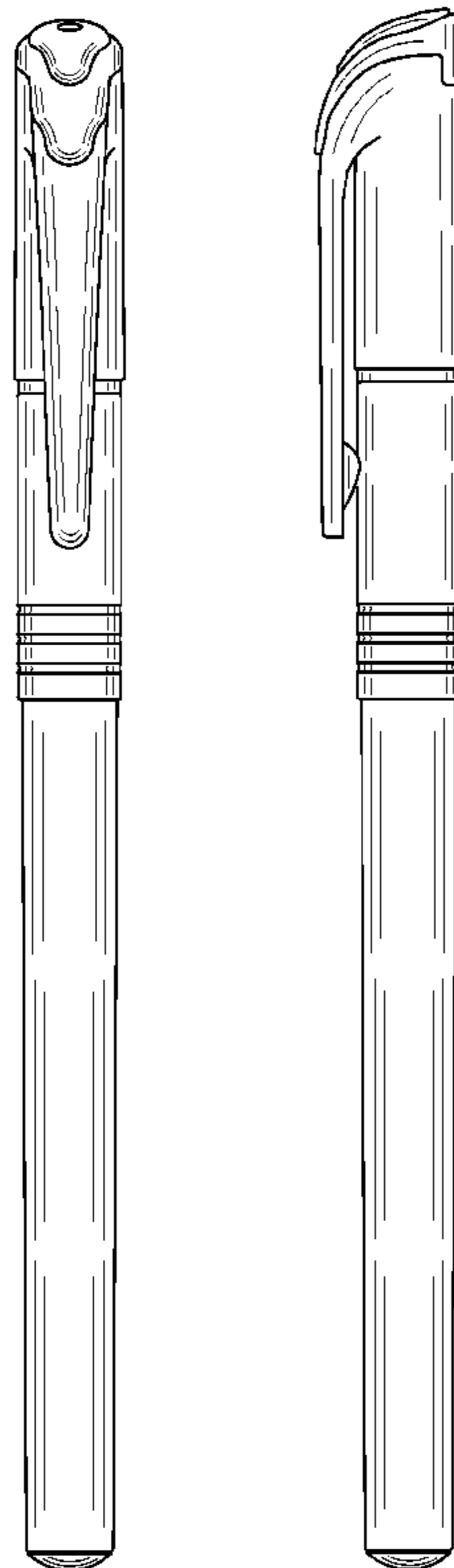
FIG. 2 is a right side elevation view of the pen shown in FIG. 1, with a left side elevation view being a mirror image thereof;

FIG. 3 is a rear elevation view thereof;

FIG. 4 is an enlarged top plan view thereof; and,

FIG. 5 is an enlarged bottom plan view thereof.

1 Claim, 2 Drawing Sheets



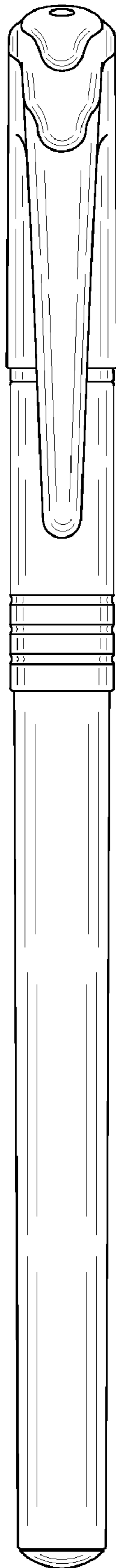


Fig. 1.

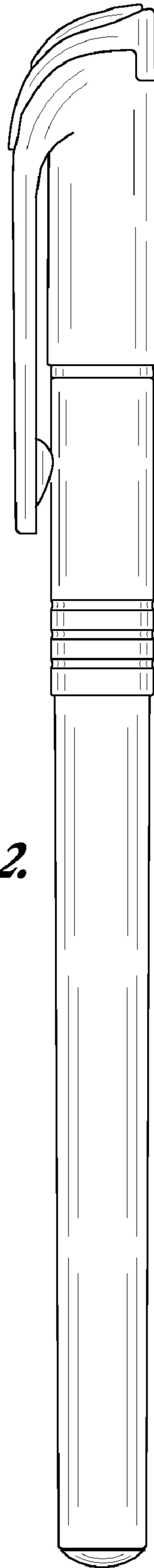


Fig. 2.

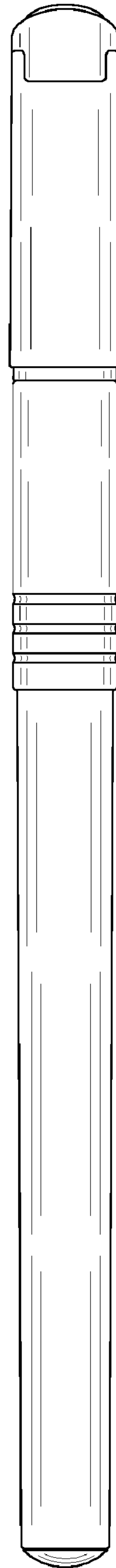


Fig. 3.

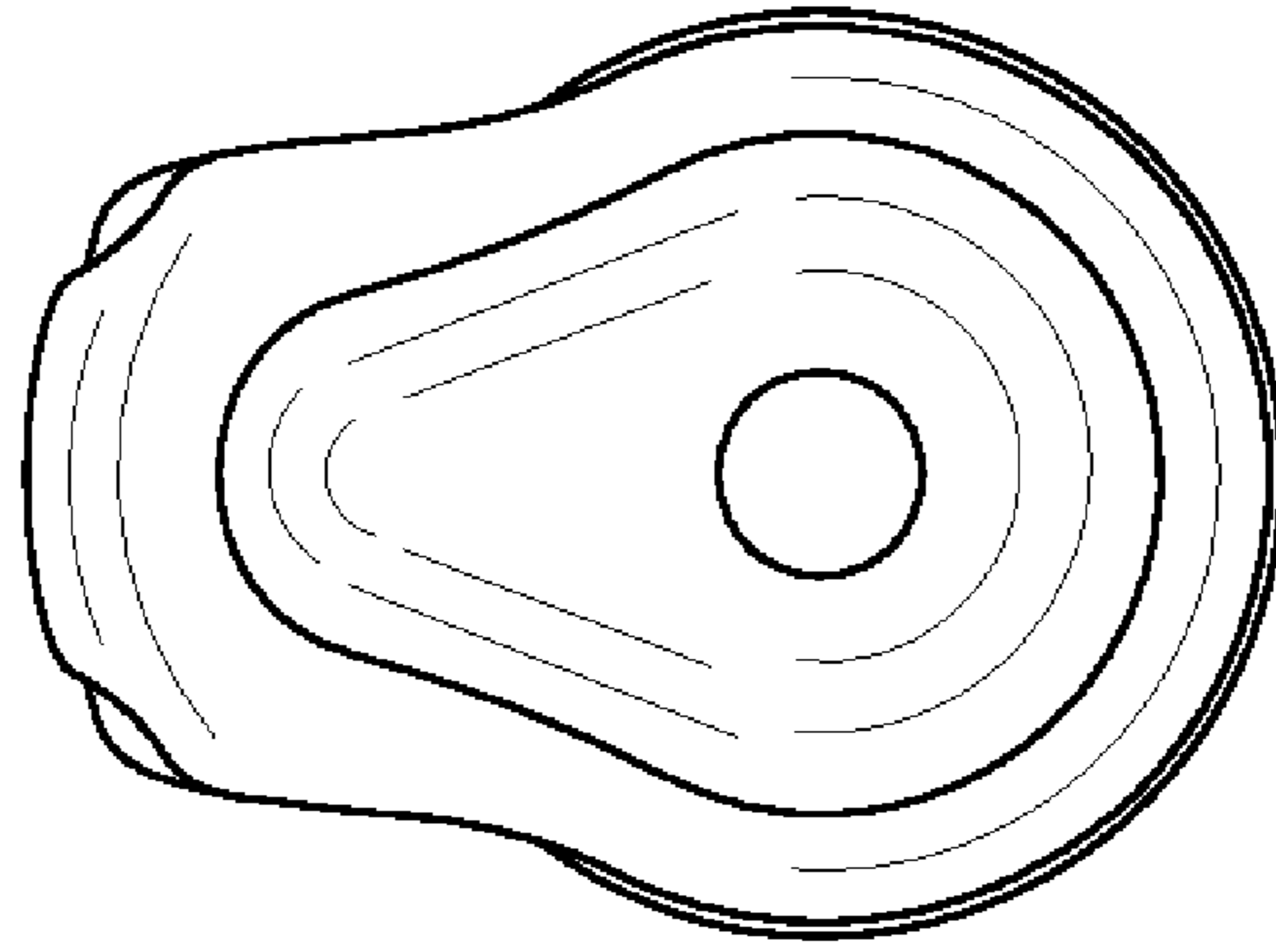


Fig. 4.

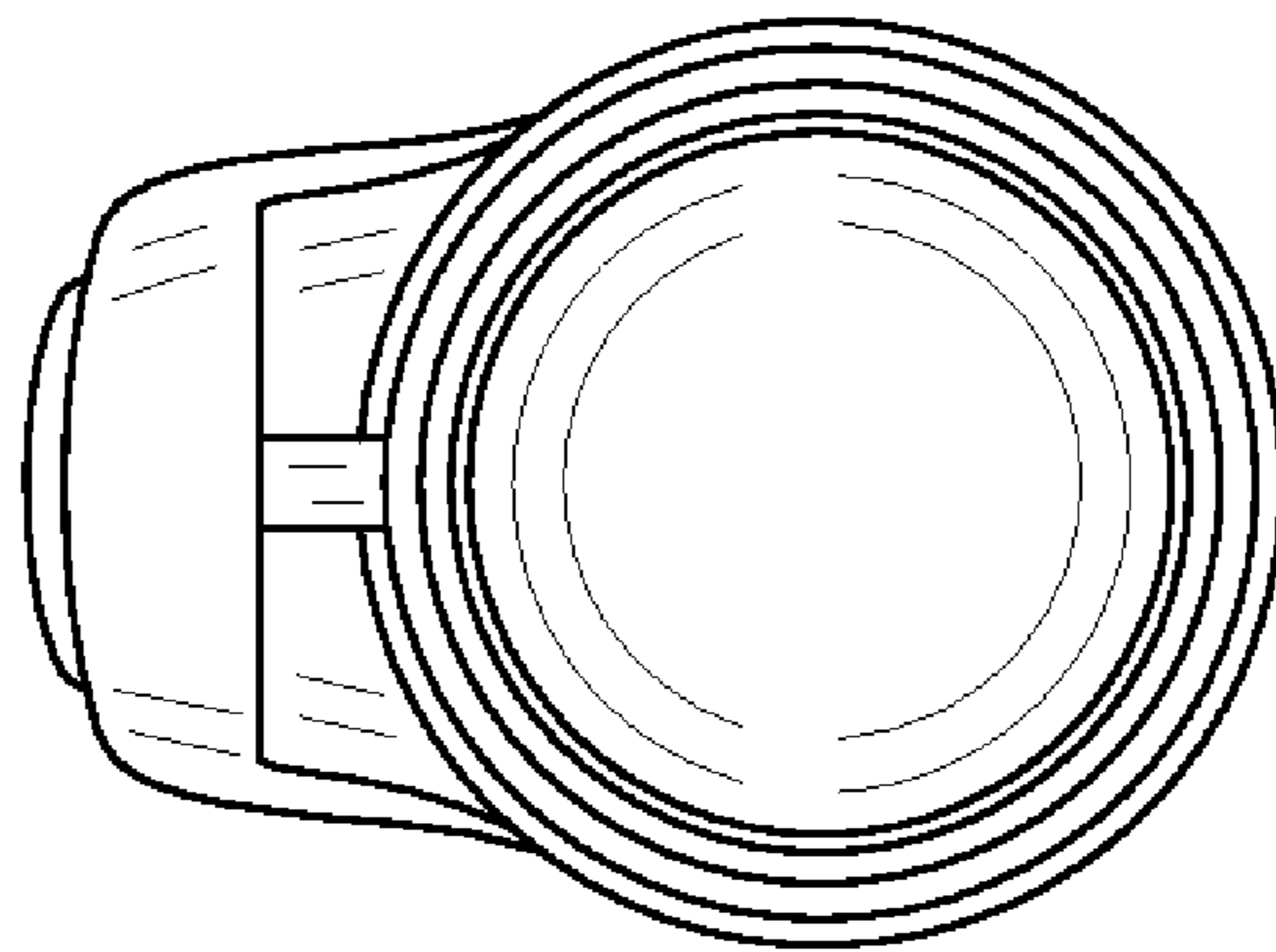


Fig. 5.